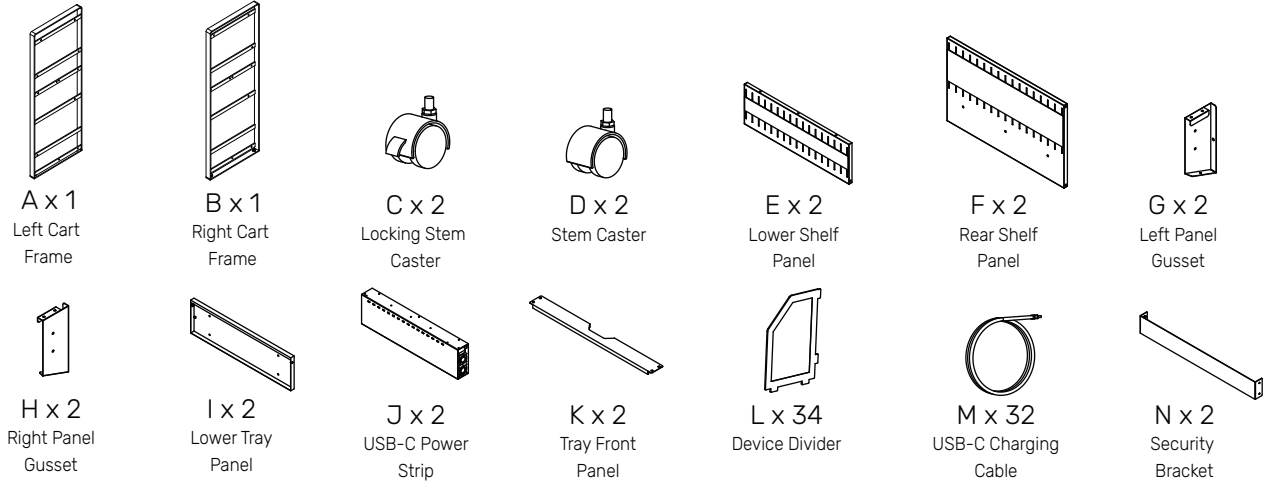
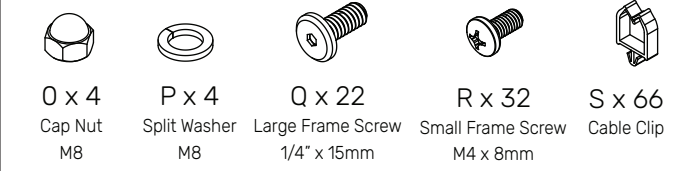


CHMC006 32-Bay USB-C Open Charging Cart Assembly Instructions

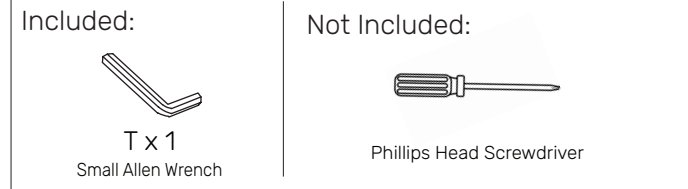
PARTS LIST:



HARDWARE



ASSEMBLY TOOLS



ASSEMBLY INSTRUCTIONS:

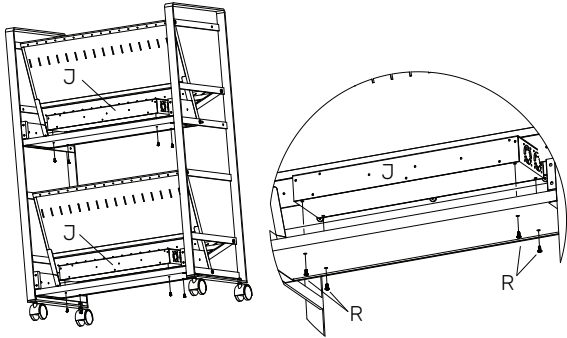
- Attach two Locking Stem Casters (C) and two Stem Casters (D) as shown to Left Cart Frame (A) and Right Cart Frame (B) using Cap Nut (O) and Split Washer (P).
- Construct a Shelf Assembly by connecting a Lower Shelf Panel (E) and a Rear Shelf Panel (F) using three Large Frame Screws (Q). Repeat this step to make a second Shelf Assembly.
- Attach the Left Cart Frame (A) to each Shelf Assembly using three Large Frame Screws (Q) per shelf.
- Attach the Right Cart Frame (B) to each Shelf Assembly using three Large Frame Screws (Q) per shelf.
- Attach the Left Panel Gussets (G) and the Right Panel Gussets (H) as shown using one Small Frame Screw (R) per gusset.
- Attach the Lower Tray Panels (I) behind the Shelf Assemblies using two Large Frame Screws (Q) and two Small Frame Screws (R) per shelf.



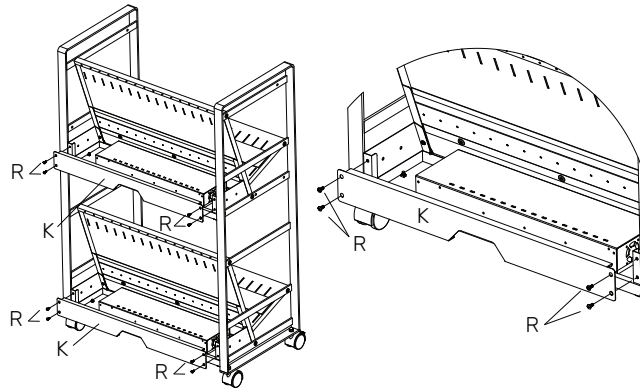
CHMC006 32-Bay USB-C Open Charging Cart Assembly Instructions (Ctd.)

ASSEMBLY INSTRUCTIONS:

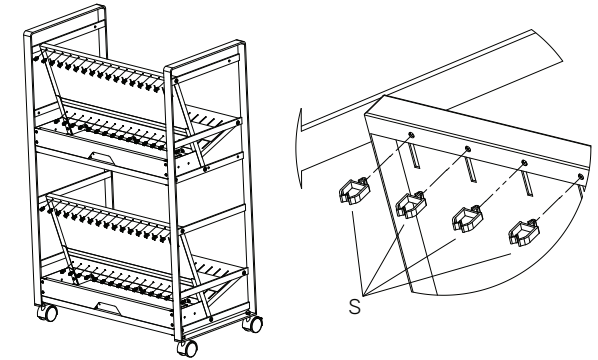
- 7** Attach the USB-C Power Strips (J) to Lower Tray Panels as shown using four Small Frame Screws (R) per shelf.



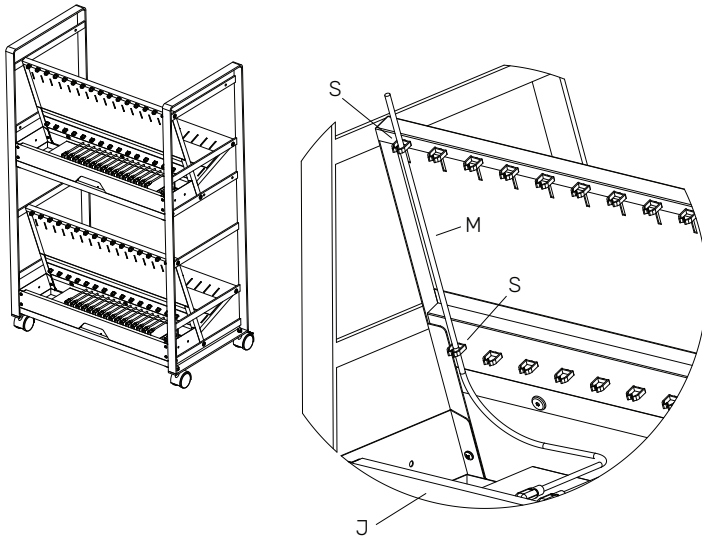
- 8** Attach the Tray Front Panels (K) using four Small Frame Screws (R) per shelf.



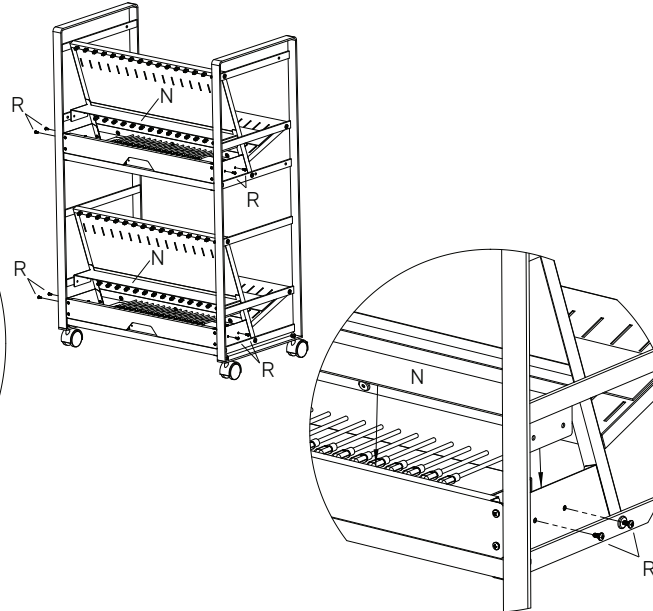
- 9** Insert 64 Cable Clips (S) into the holes on the back of the Rear Shelf Panels (F) as shown.



- 10** Insert a USB-C Charging Cable (M) into the far left port on a USB-C Power Strip (J). Route the cable through the left set of Cable Clips (S). Repeat the process for the remaining 31 USB-C Cables (M).



- 11** Attach the Security Brackets (N) as shown using four Small Frame Screws (R) per shelf.



- 12** Insert 34 Device Dividers (L) into the slots on the Shelf Assemblies as shown.

