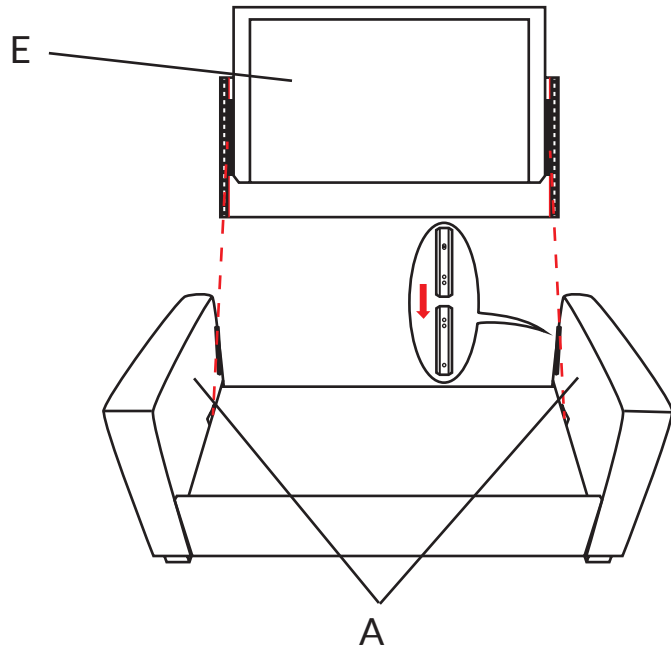
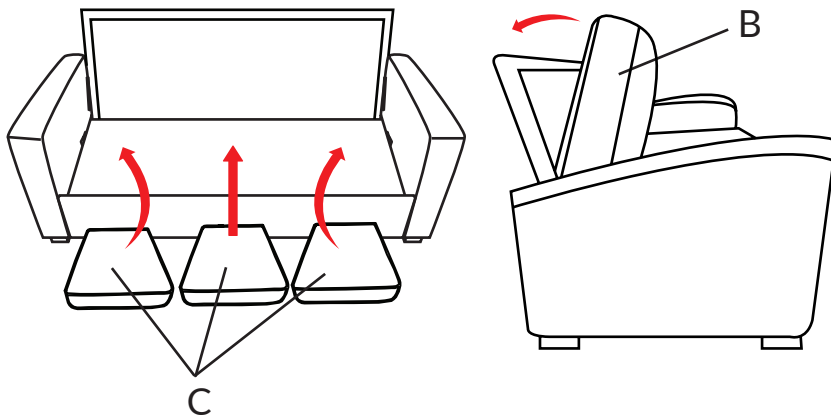


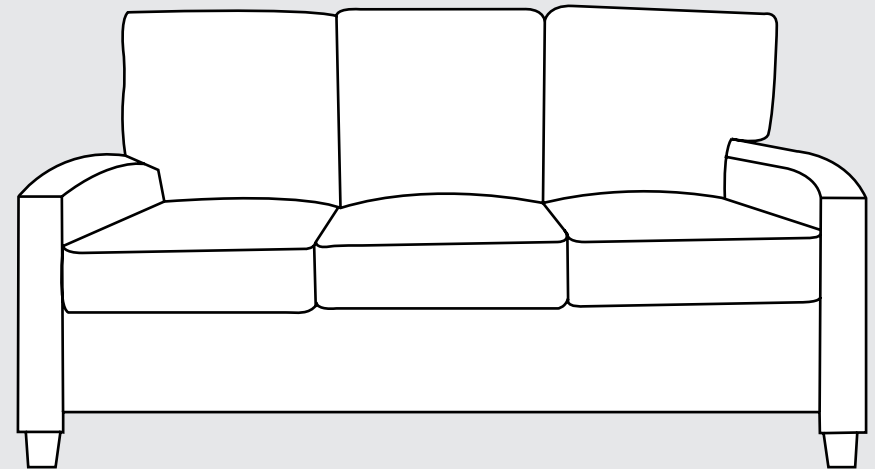
- 3** Attach Backrest (E) to Arms (A) by sliding the brackets on the Backrest (E) into the glides on the Arms (A).



- 4** Place Seat Cushions (C) and Back Cushions (B) to Assembled Sofa. Enjoy your new Sofa.



SOFA



ADULT ASSEMBLY REQUIRED

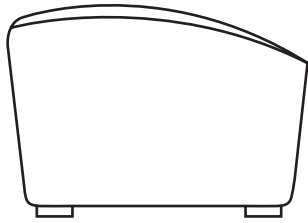
If you are missing any parts or have any questions regarding assembly, do not return this item to the retailers store. Please call our toll-free, customer service number and have this assembly manual open to the parts list ready to provide the model name, number and part name or number.



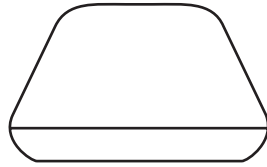
WARNING: This product may contain small components, please ensure they are kept away from small children.

PARTS AND HARDWARE

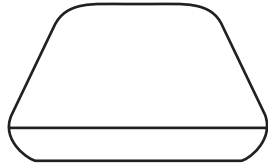
Avoid using sharp objects such as a knife to cut open packing as you may accidentally damage the upholstery.



A. Arms
2x
(Packed in Separate Box)



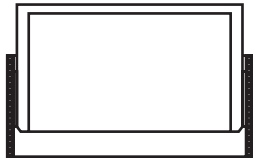
B. Back Cushion
3x



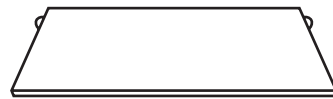
C. Seat Cushion
3x



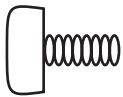
D. Front Rail
1x



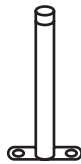
E. Backrest
1x



F. Seat Deck
1x



G. Hand Threaded Bolt
2x

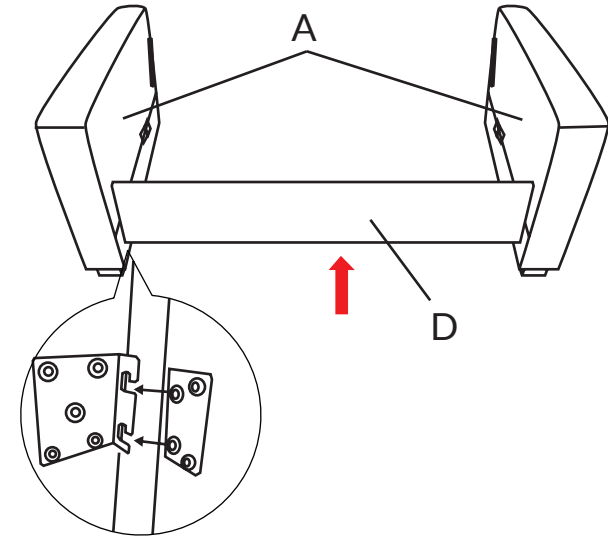


H. Center Support Leg
1x

ASSEMBLY INSTRUCTIONS

Do not fully tighten bolts until assembly is complete.

- 1 Attach Front Rail (D) to Arms (A) by slipping the bracket opening over the fixed post. Press down to click into place.



- 2 Attach Center Support Leg (H) to Seat Deck (F) by hand turning Hand Threaded Bolt (G) into insert nut. Then attach the Seat Deck (F) to the Arms (A) by placing the two metal brackets on the Seat Deck (F) over the metal brackets on each Arm (A). The Seat Deck (F) will lock into place.

