

80057-311/511 ASSEMBLY INSTRUCTION

Thank you for purchasing this quality product. Be sure to check all packing material carefully for small parts which may have come loose inside the carton during shipment. Separate, identify and count all parts and hardware. Compare with the parts list to be sure all parts are present.

IMPORTANT : PLEASE READ INSTRUCTION BEFORE STARTING THE ASSEMBLY.

"DO NOT TIGHTEN SCREWS UNTIL COMPLETELY ASSEMBLED"

"DO NOT OVERTIGHT ANY HARDWARE"

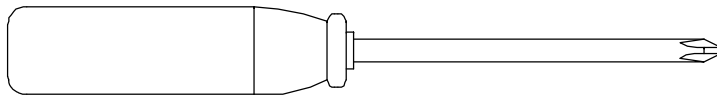
WARNING : SMALL PARTS AND HARDWARE NOT FOR CHILDREN UNDER 3 YEARS. ADULT ASSEMBLY REQUIRED.

TABLE OF CONTENTS

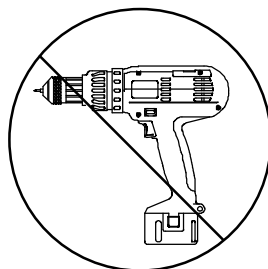
HARDWARES LIST	PAGE 2
PARTS LIST	PAGE 3 - 4
PARTS' LOCATION	PAGE 5
ASSEMBLY STEPS	PAGE 6 - 9
ASSEMBLY COMPLETED	PAGE 9

ASSEMBLY TOOLS REQUIRED

1. Screwdriver (not provide)

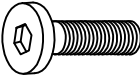
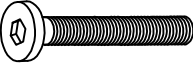
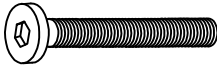

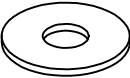





Skip the power trip this time.



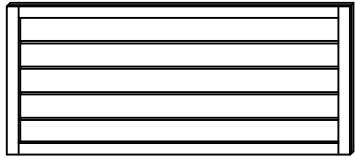
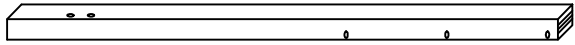
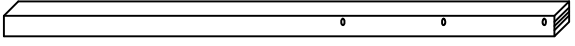
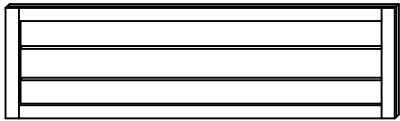
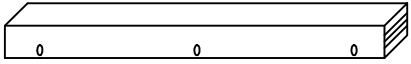
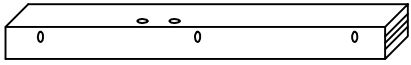
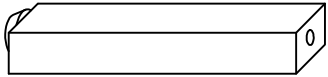
80057-311/511 ASSEMBLY INSTRUCTION

HARDWARES LIST

ITEM	DESCRIPTION	DRAWING	QTY
A	JCBB SCREW M8 x 20MM		8 PCS
B	JCBC SCREW M6 x 35MM		14 PCS
C	JCBB SCREW M6 x 40MM		12 PCS
D	SPRING WASHER M6 x 13MM		22 PCS
E	FLAT WASHER M6 x 19MM		22 PCS
F	CSK C/B SCREW (M4 x 32MM)		8 PCS
G	M4 ALLEN KEY (65MM)		1 PC
H	M5 ALLEN KEY (65MM)		1 PC

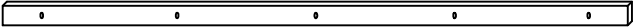
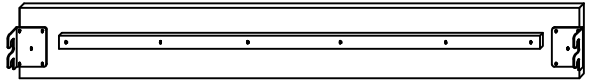
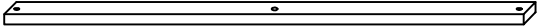
80057-311/511 ASSEMBLY INSTRUCTION

PARTS LIST (BOX 1)

ITEM	DESCRIPTION	DRAWING	QTY
1	HEADBOARD		1 PC
2	HEADBOARD SUPPORT RAIL(R)		1 PC
3	HEADBOARD SUPPORT RAIL(L)		1 PC
5	FOOTBOARD		1 PC
6	FOOTBOARD SUPPORT RAIL(R)		1 PC
7	FOOTBOARD SUPPORT RAIL(L)		1 PC
10	CENTRE SUPPORT LEG		4 PCS

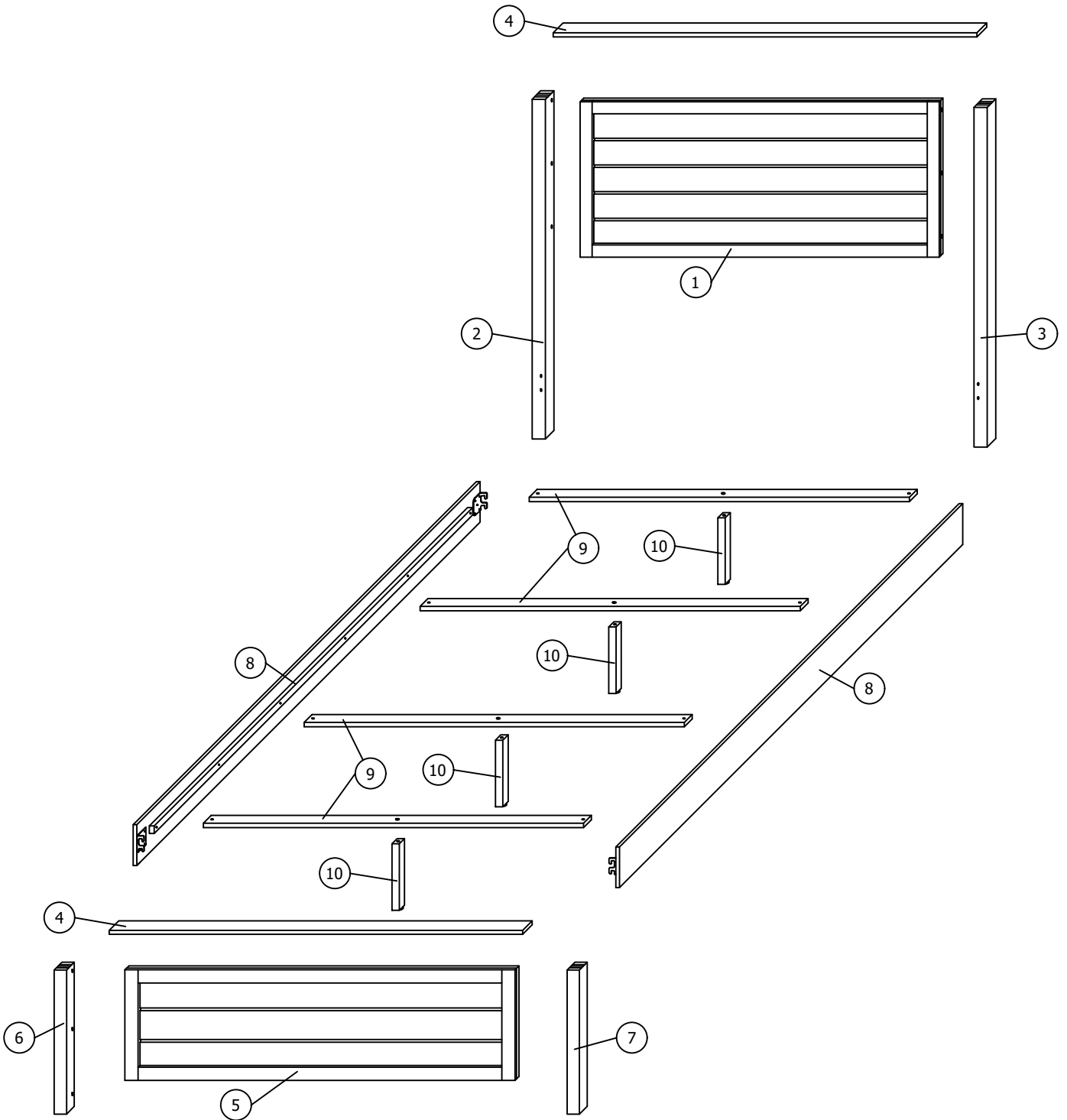
80057-311/511 ASSEMBLY INSTRUCTION

PARTS LIST (BOX 2)

ITEM	DESCRIPTION	DRAWING	QTY
4	HEADBOARD AND FOOTBOARD TOP PANEL		2 PCS
8	SIDE RAIL		2 PCS
9	SLAT		4 PCS

80057-311/511 ASSEMBLY INSTRUCTION

PARTS ' LOCATION

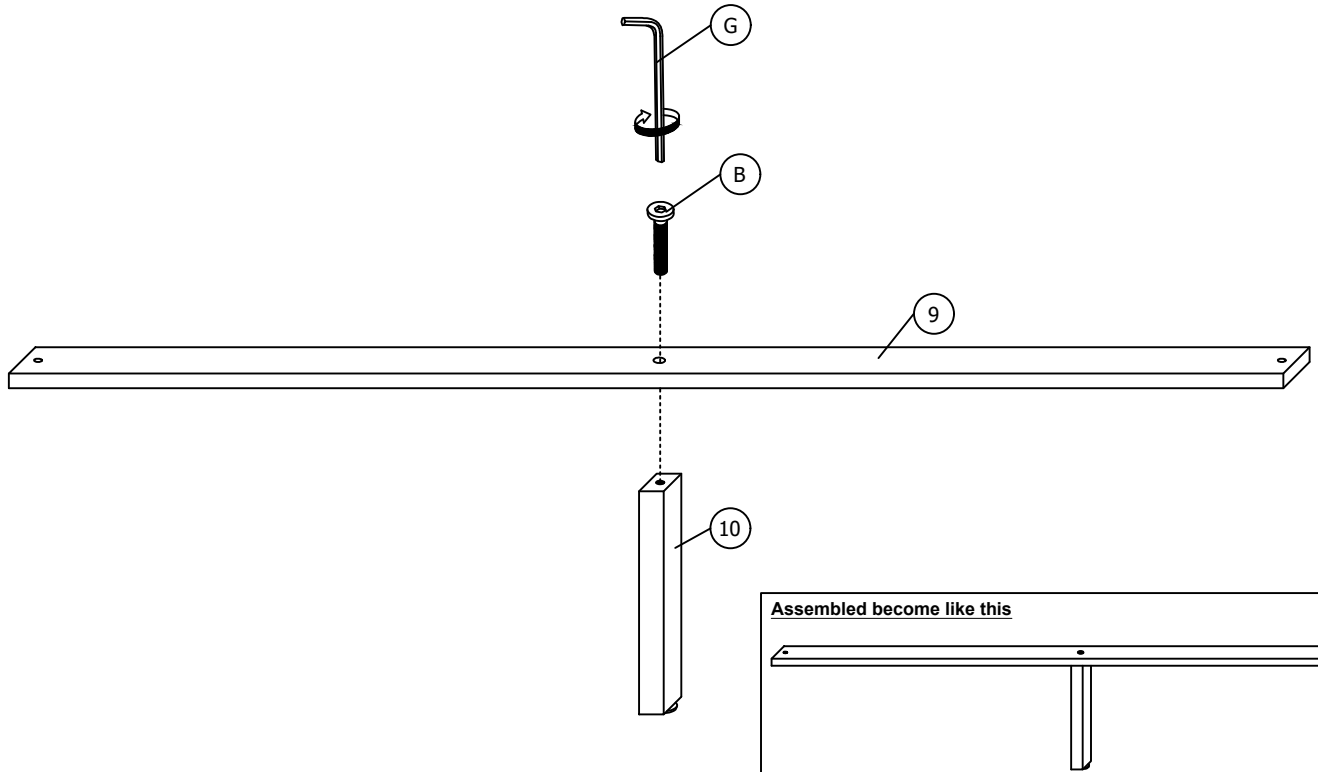


80057-311/511 ASSEMBLY INSTRUCTION

ASSEMBLY STEPS

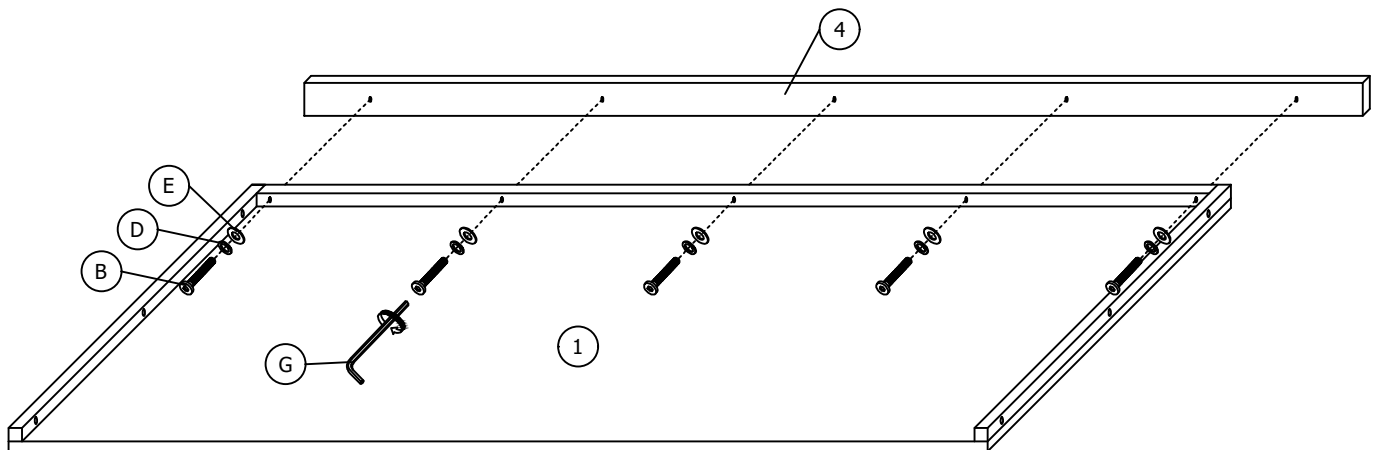
STEP 1

Insert 1 piece (B) to combine (9) and (10) as shown. This step needs to be **done four times**.



STEP 2

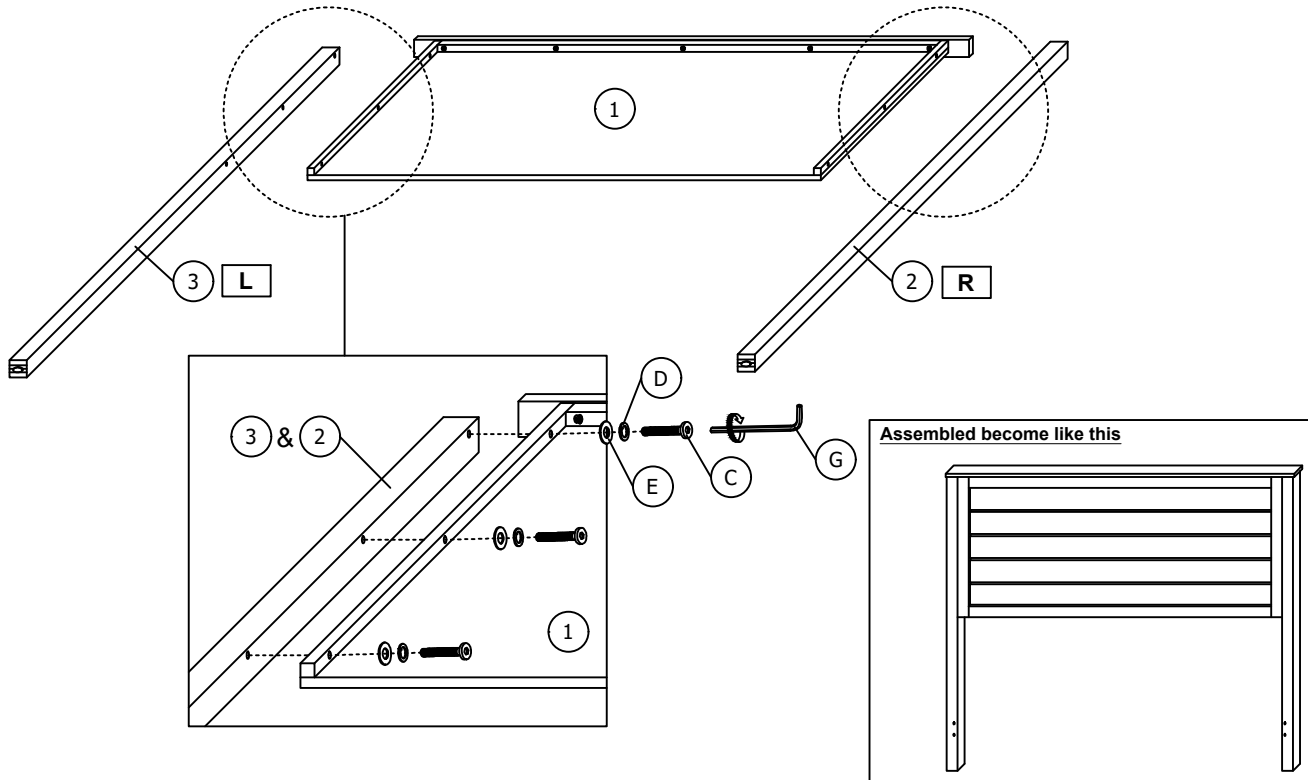
Insert 5 pieces (B),(D) and (E) to combine (1) and (4) as shown.



80057-311/511 ASSEMBLY INSTRUCTION

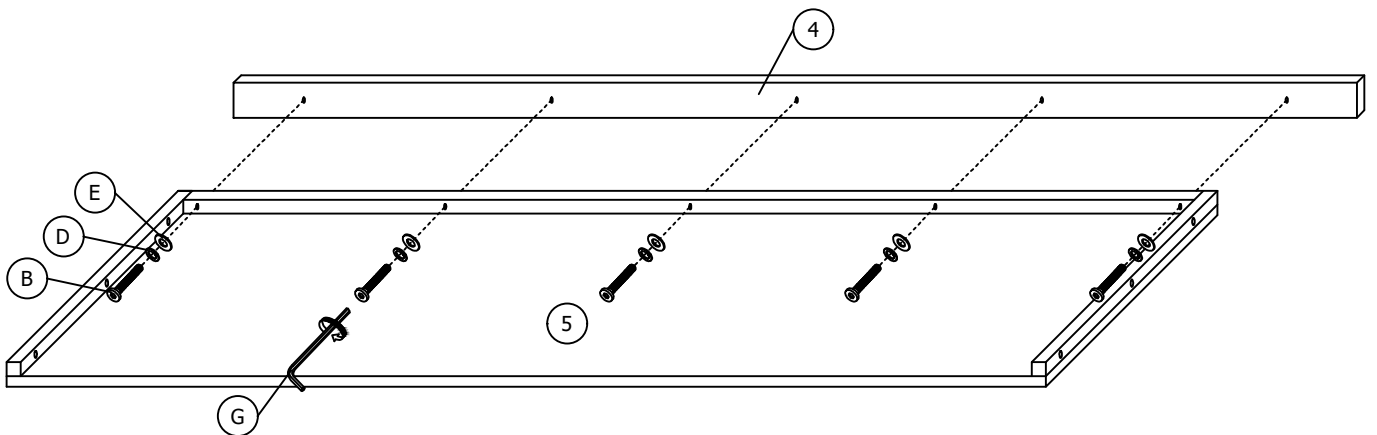
STEP 3

Insert 6 pieces (C),(D) and (E) to combine the (2) and (3) to the (1) as shown.



STEP 4

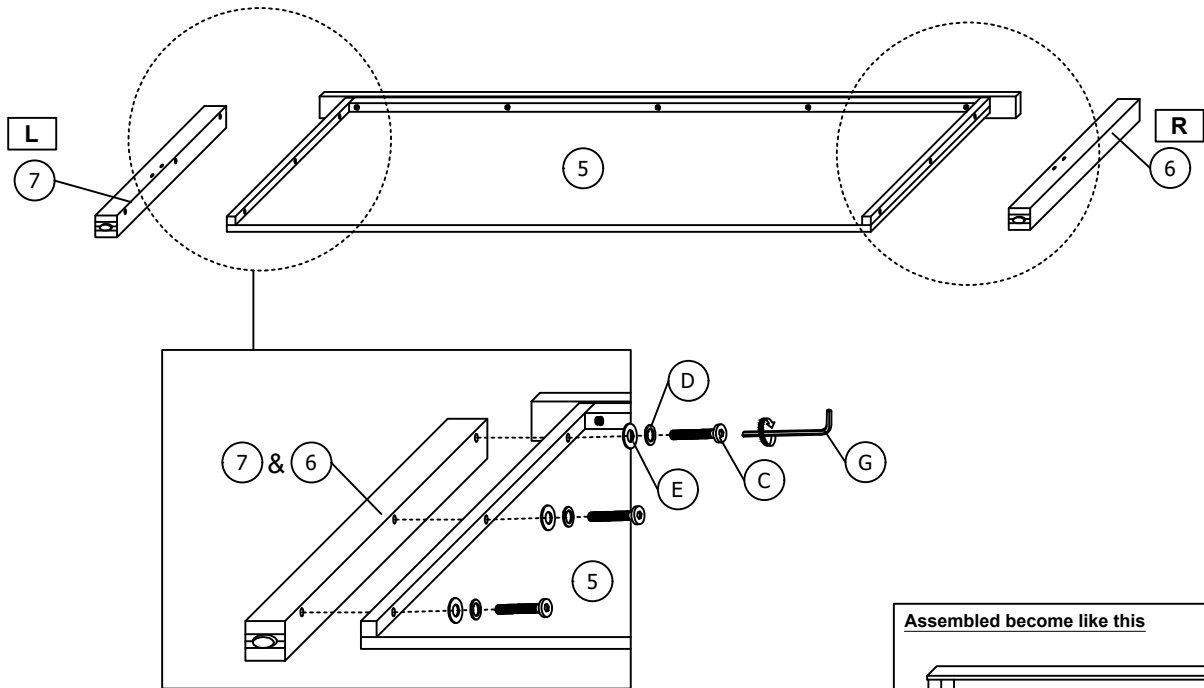
Insert 5 pieces (B),(D) and (E) to combine (5) and (4) as shown.



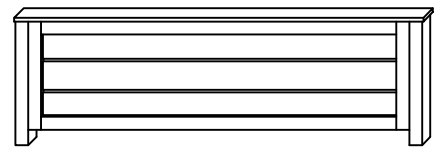
80057-311/511 ASSEMBLY INSTRUCTION

STEP 5

Insert the remaining 6 pieces (C),(D) and (E) to combine the (6) and (7) to the (5) as shown.

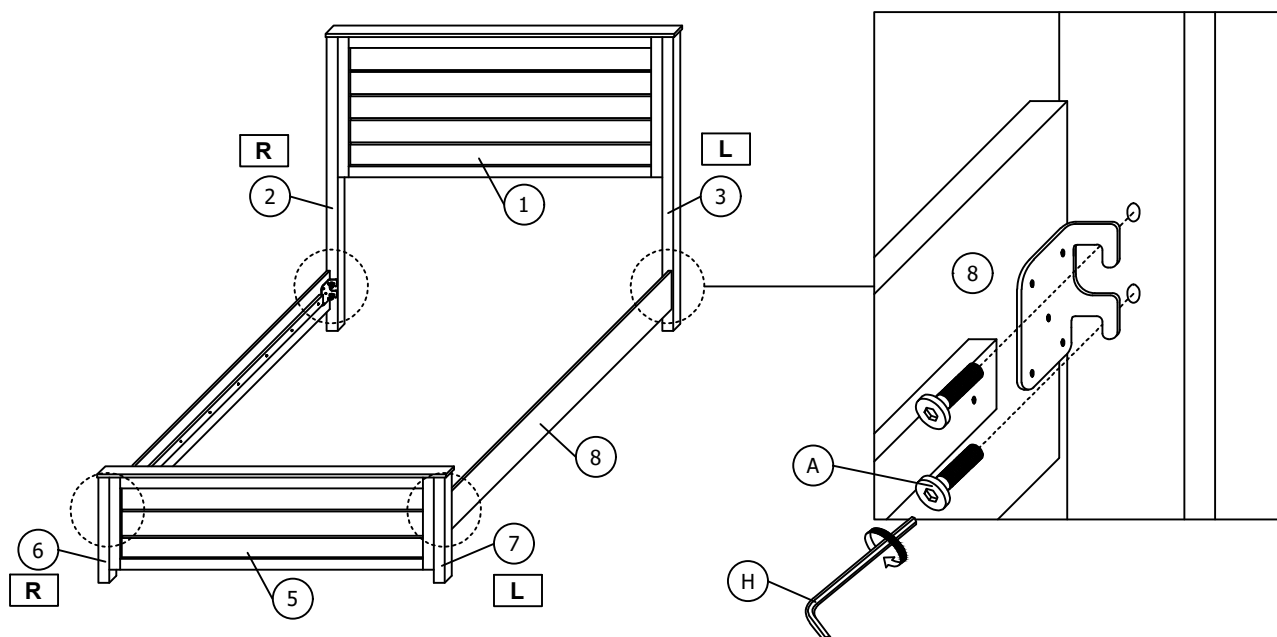


Assembled become like this



STEP 6

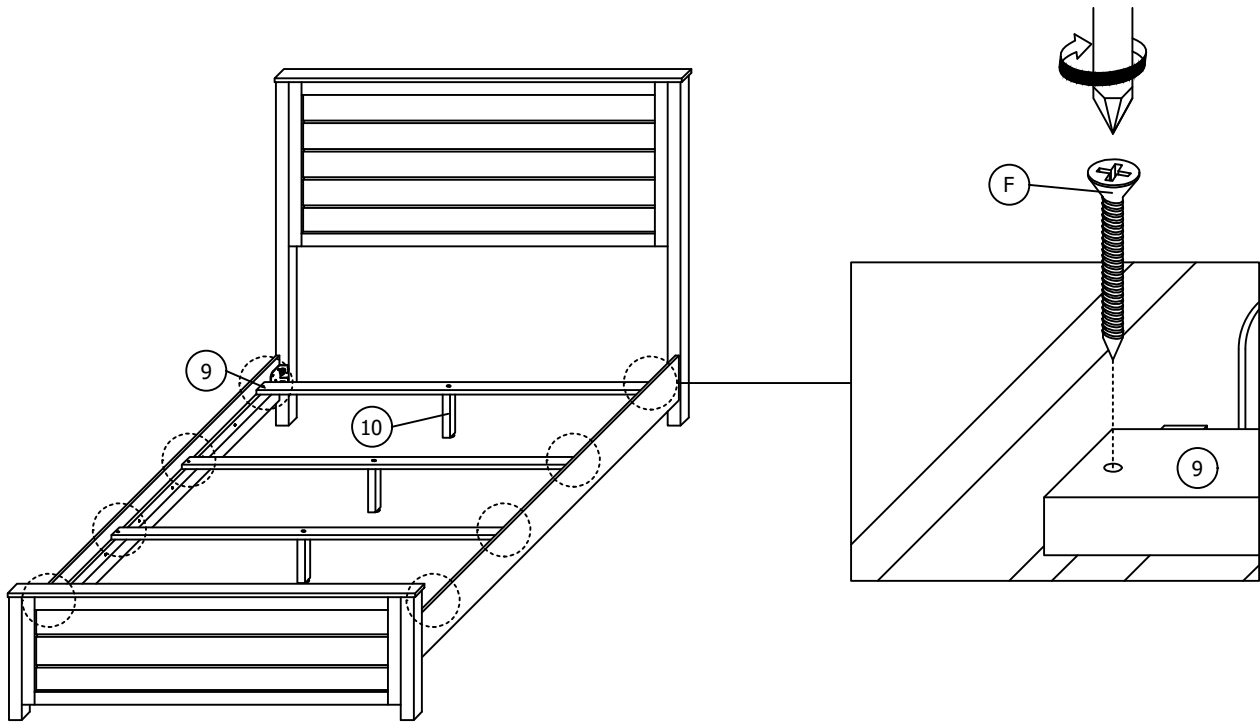
Insert all the (A) to combine the (2),(3),(6),(7) and (8) as shown.



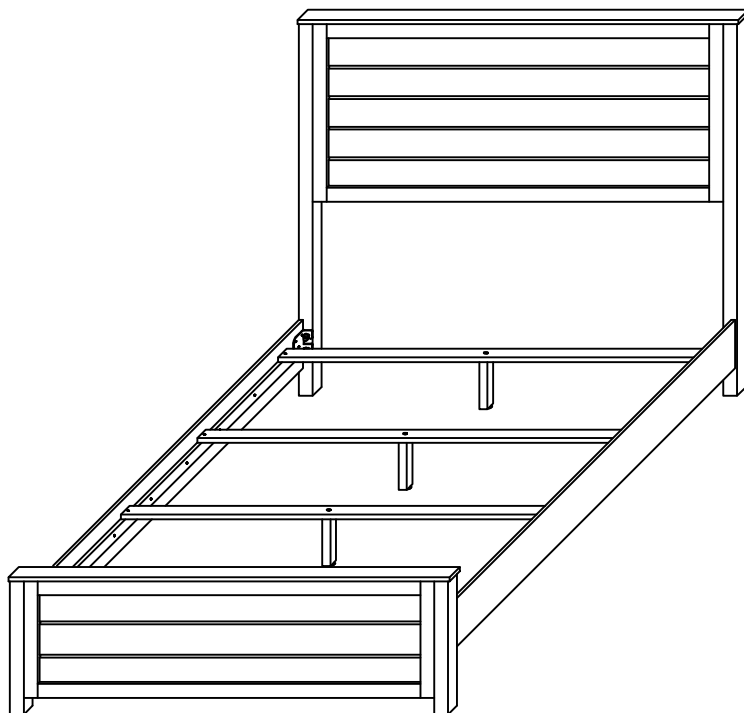
80057-311/511 ASSEMBLY INSTRUCTION

STEP 7

Put all the (9) and (10)-(combined in step 1) on the wood of (8). Then insert the 8 pieces (F) to fix it.



STEP 8



ASSEMBLY COMPLETED