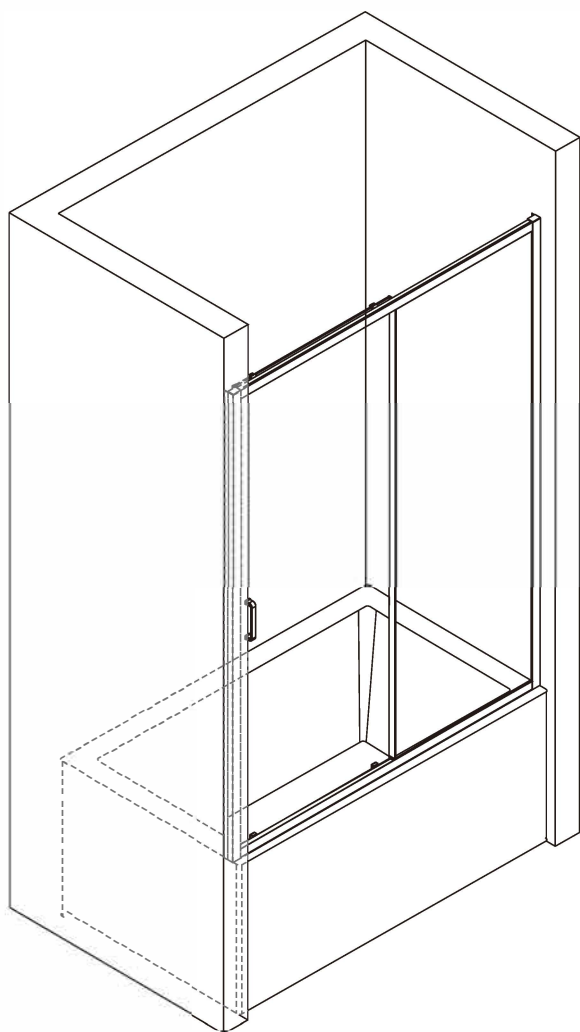


INSTALLATION INSTRUCTIONS

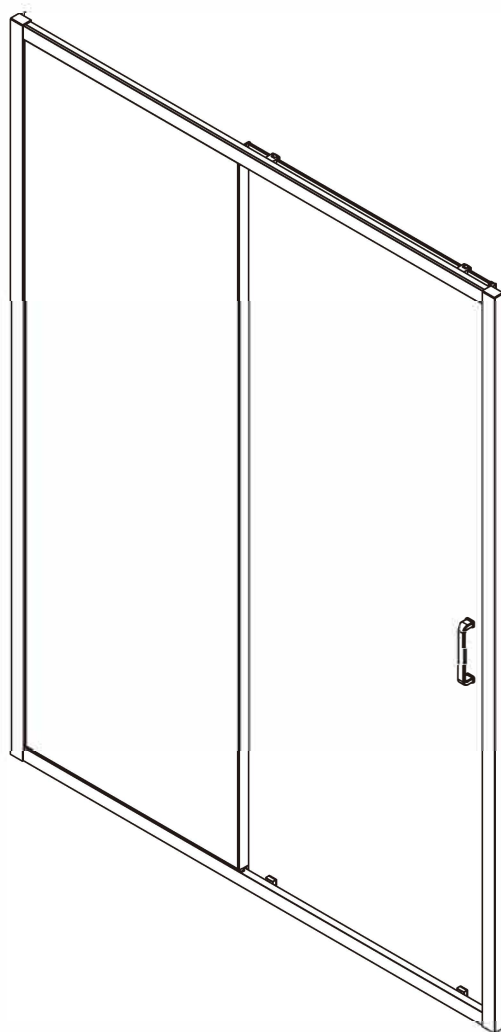
WARM TIPS

Before the installation, please read through the instruction manual to confirm that our steps are the opening direction you want to open the door. If not, do it in the opposite way.



CONSEILS POUR SE RÉCHAUFFER

Avant l'installation, veuillez lire le manuel d'instructions pour confirmer que nos étapes correspondent au sens d'ouverture que vous souhaitez donner à la porte. Si ce n'est pas le cas, procédez dans le sens inverse.



ENRO1010



◆ General Information

Please inspect the product immediately upon receipt for transit damage, missing packs/parts or manufacturing fault. Damage reported later cannot be accepted. Please handle the product with care avoiding knocks and shock loading to all sides and edges of the glass.

Notes: Safety glass can not be re-worked.

Please read these instructions carefully before start of installation.

Special care should be taken when drilling walls to avoid hidden pipes or electrical cables.

Note: This product is heavy and may require two people to install.

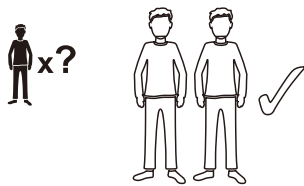
Aftercare instructions

After use, your shower should be cleaned with soap and water. This is particularly important in hard water districts where insoluble lime salts may be deposited and allowed to build up. Cleaners of a gritty or abrasive nature should not be used. Care should be taken to avoid contact with strong chemicals such as organic solvents and strippers.

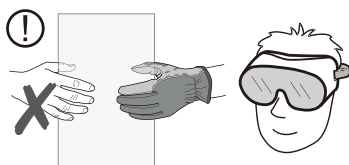
Glass cleaners can be used but with caution, if in doubt contact the manufacturer of the cleaner in question.

Please keep these instructions for aftercare and customer service details.

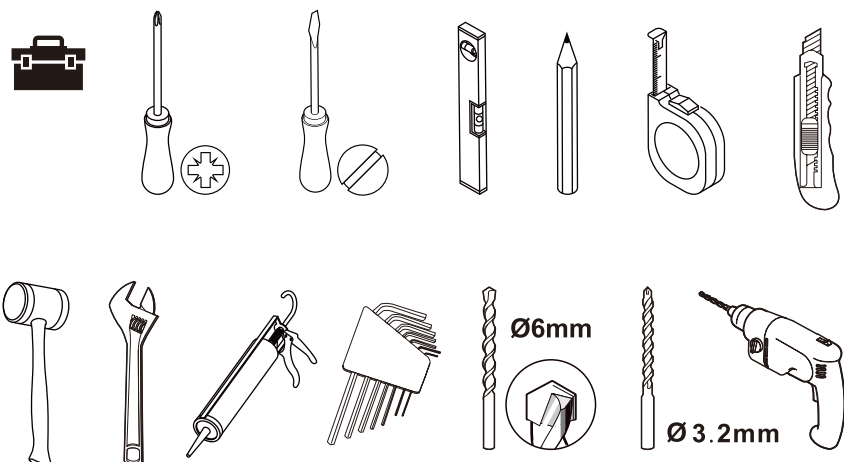
It is recommended that at least two people install it.



Wear gloves and goggles for your safety.



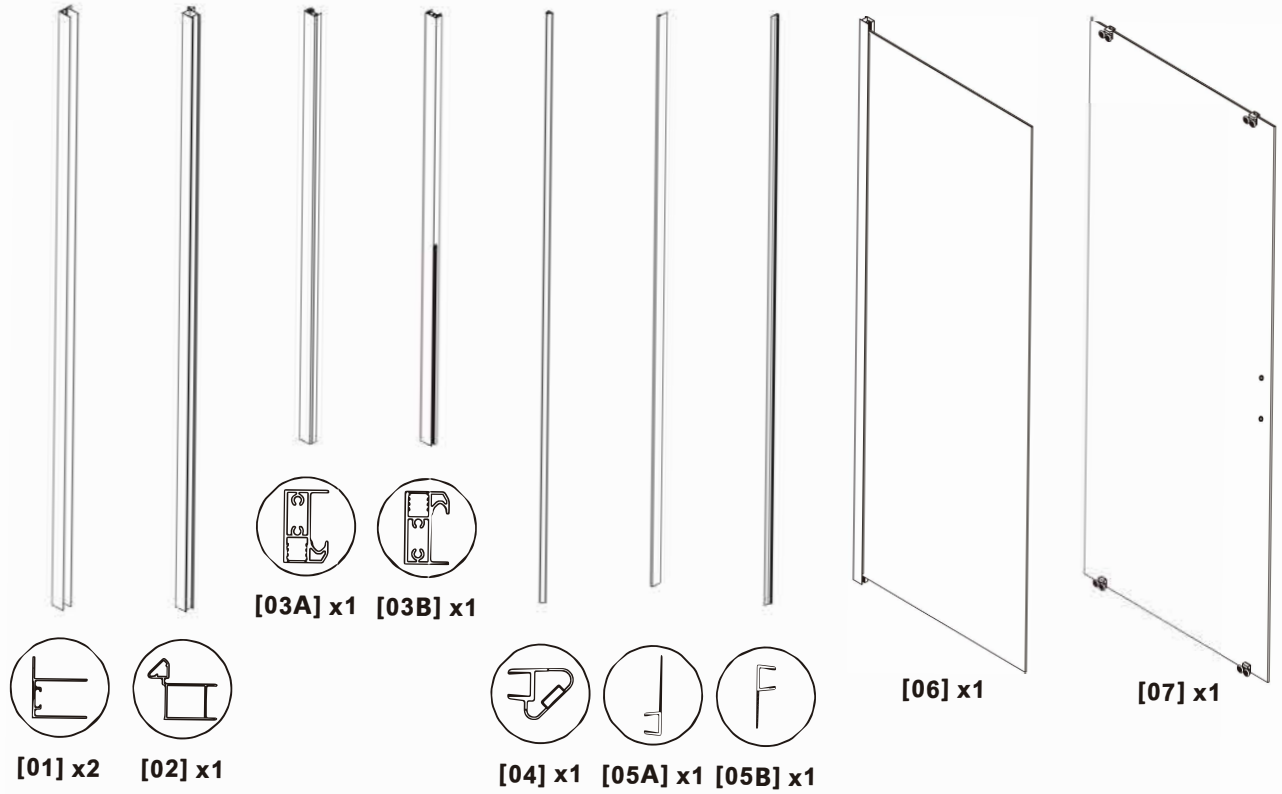
Required Tools





If something is missing or broken, please contact us. We will help you.

What's in the box



[08] x8



[09] x16



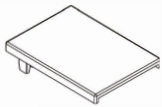
[10] x16



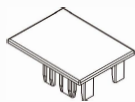
[11] x8 (ST4x10)



[12] x16 (ST4x35)



[13] x2



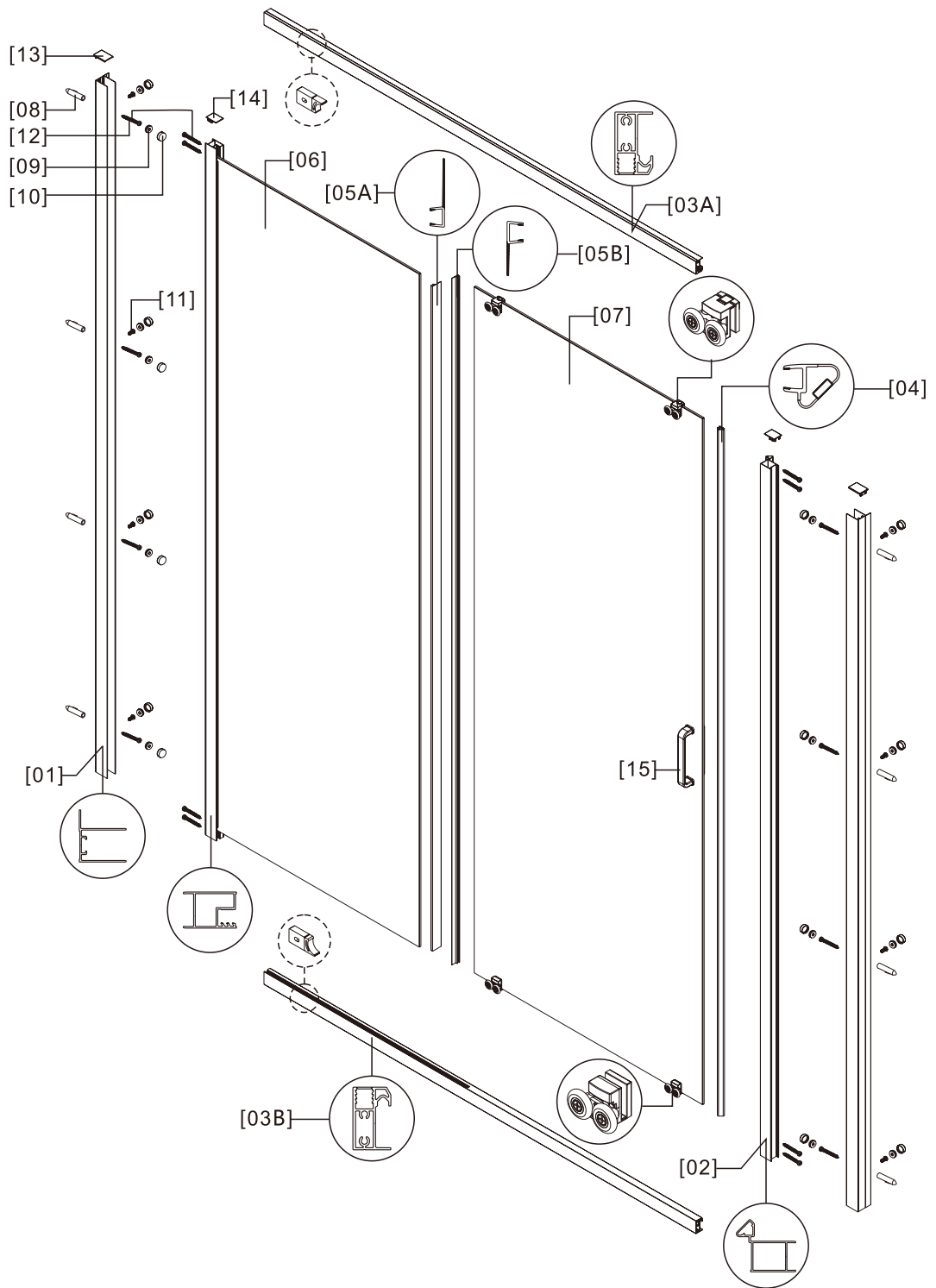
[14] x2



[15] x1



[16] x1



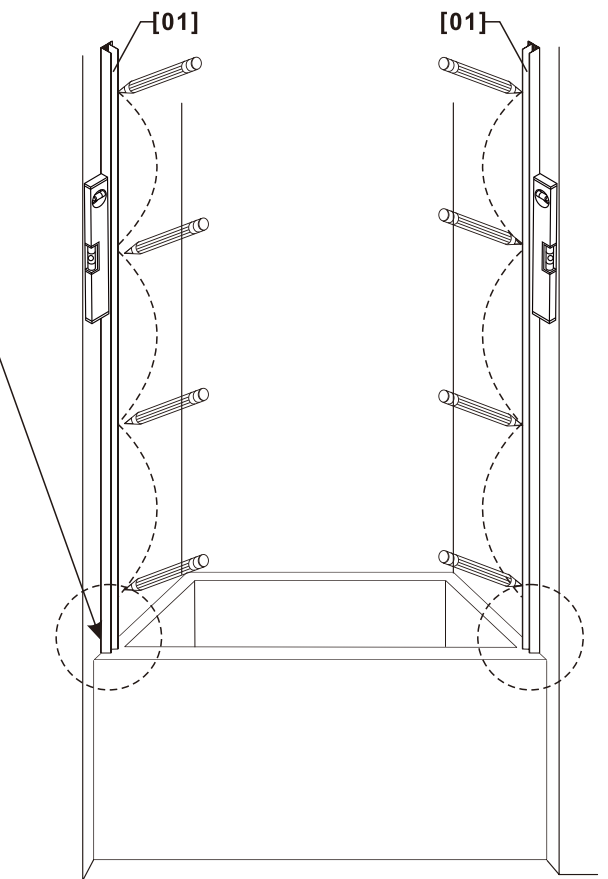
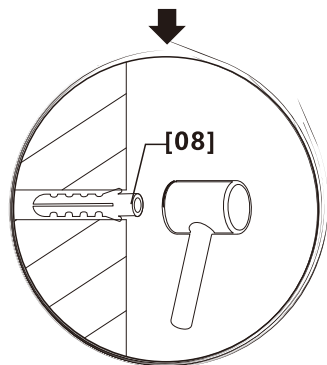
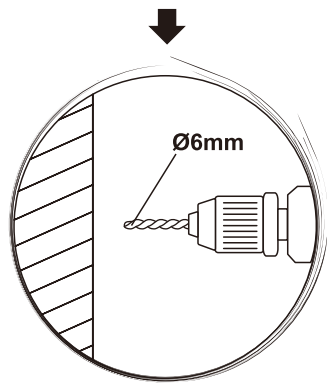
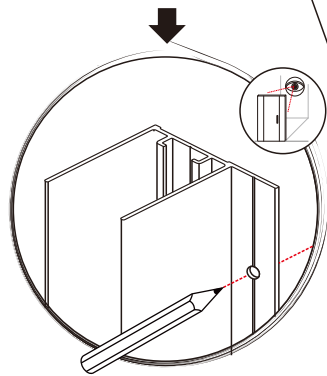
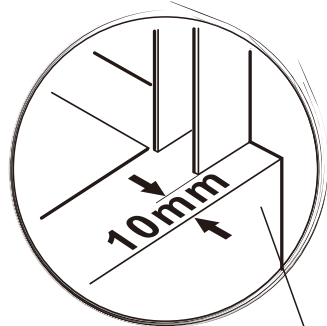


01



[08] x8

1. Place [01] the wall post against the wall. Make sure [01] the wall post is at least 10MM away from the edge.
2. Use a pencil to mark the drill holes on the wall.
3. Using a 6MM diameter drill bit, drill holes in your marks.
4. Knock [08] the wall plugs into the drill holes.

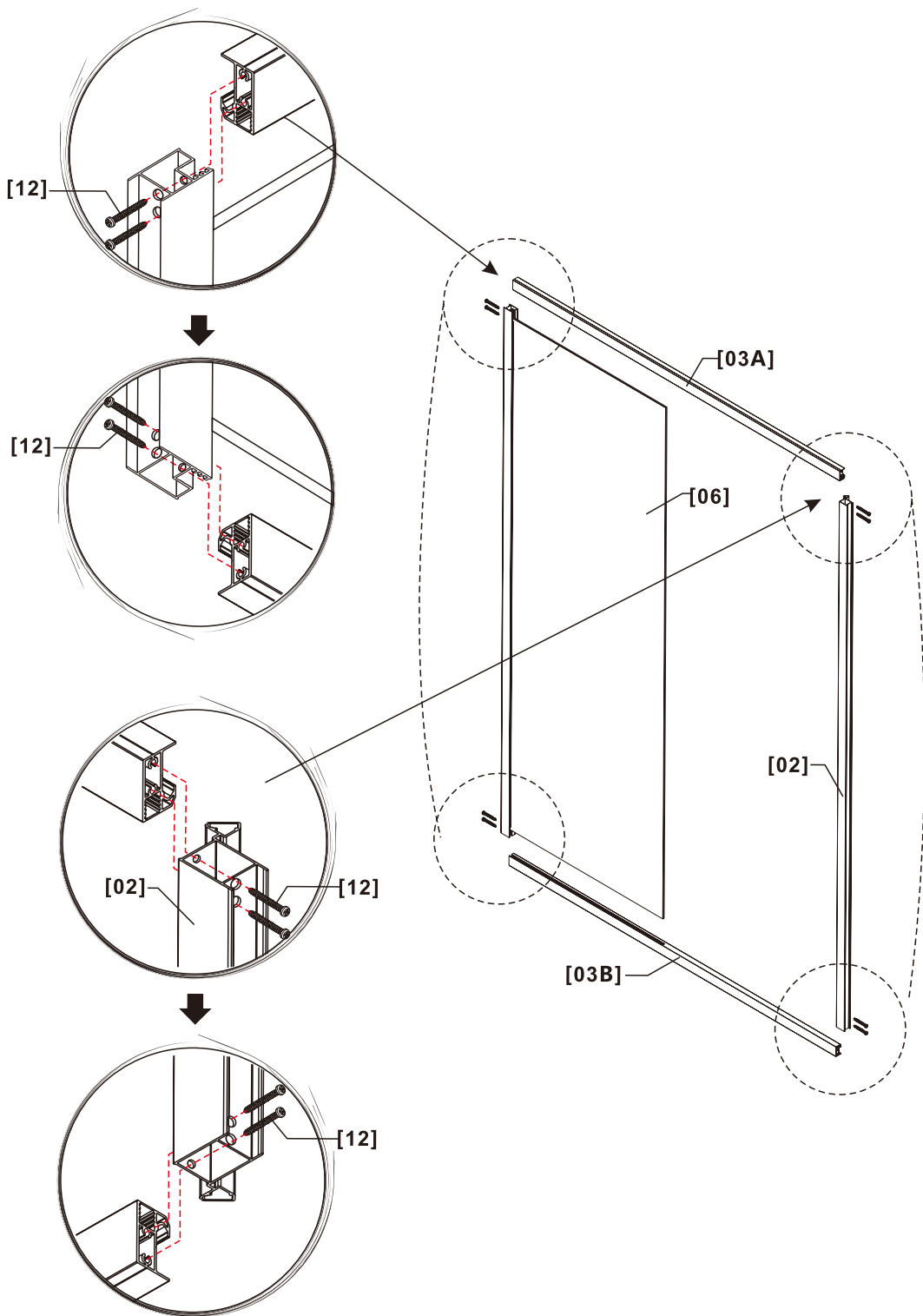
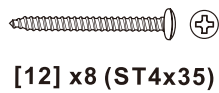
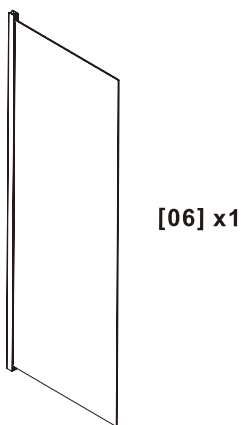
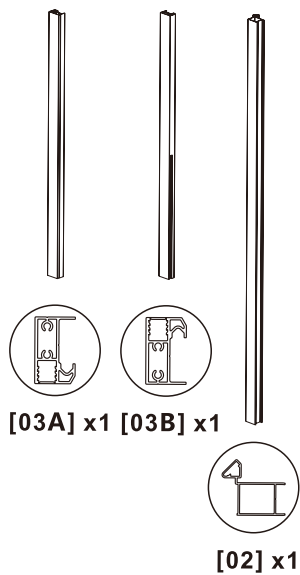


You don't need to install [01] the wall post in step 1.

02

In Step2, you are going to assemble the the frame and a fixed piece of glass.

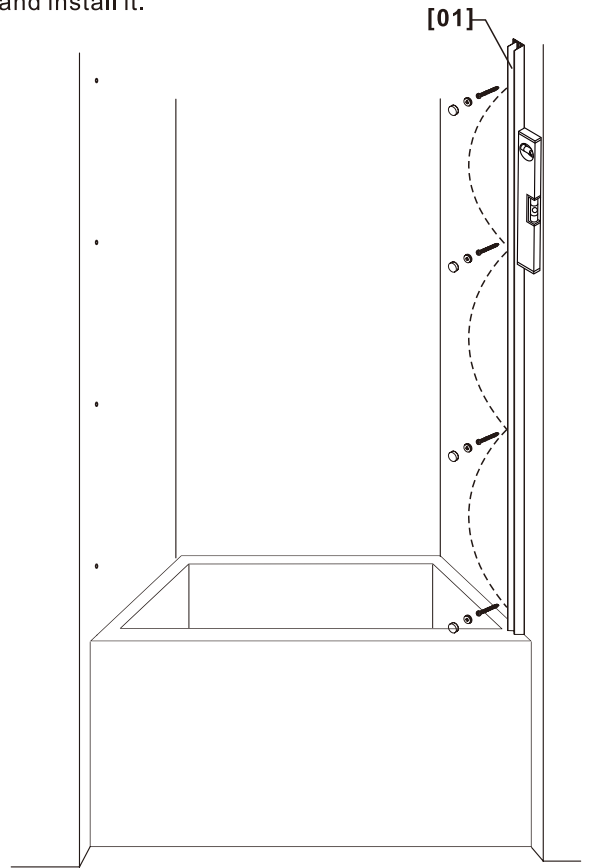
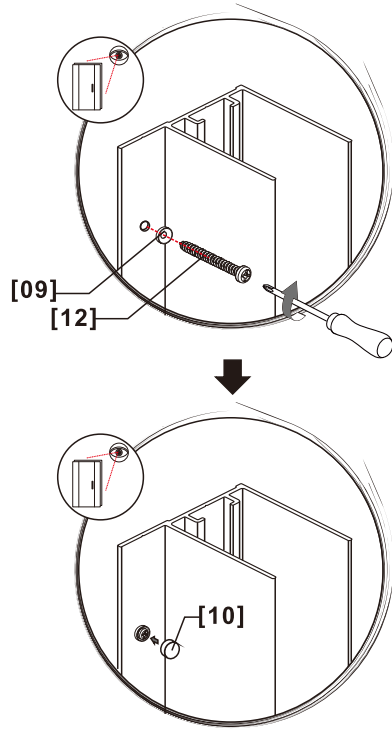
1. Put [03A] the top rail and [03B] the threshold at both ends of [06] glass panel. Then use [12] ST4x35 screw them in place.
2. Same steps, screw [02] the magnetic wall post in place.



03

Choose your walk-in side [01] wall post, and install it.

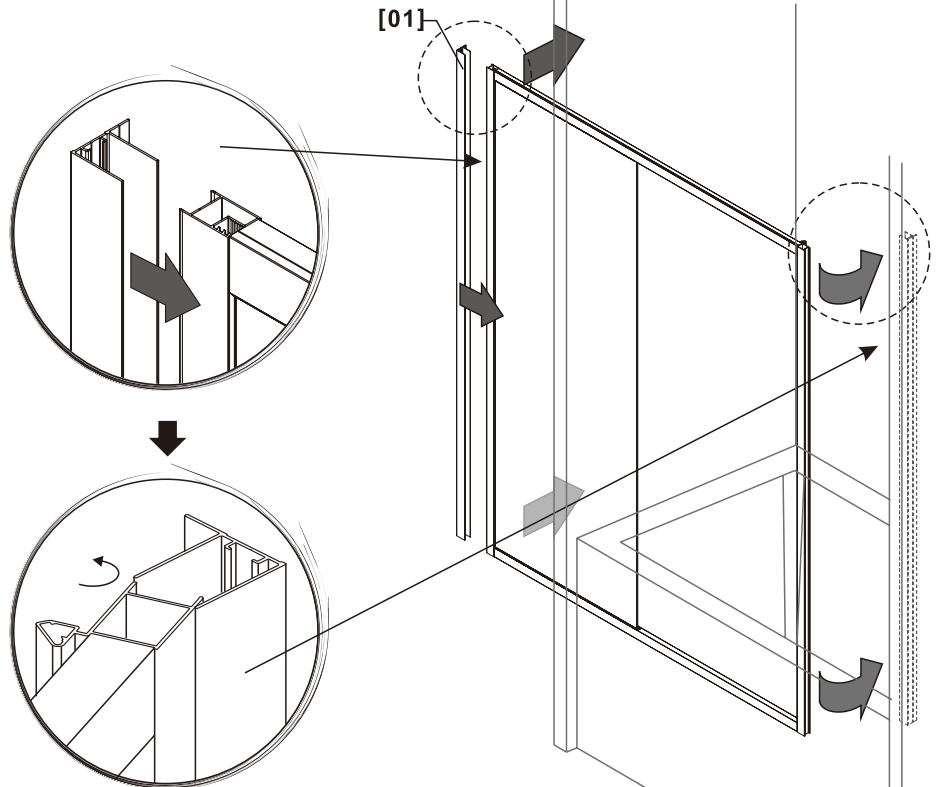
- [01] x1
- [09] x4
- [10] x4
- [12] x4 (ST4x35)



04

Insert another [01] wall post on the frame before you install it. Then put the frame in place.

- [01] x1



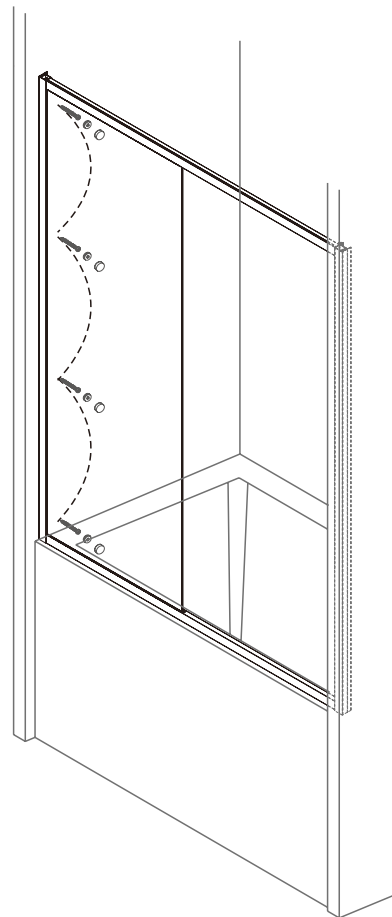
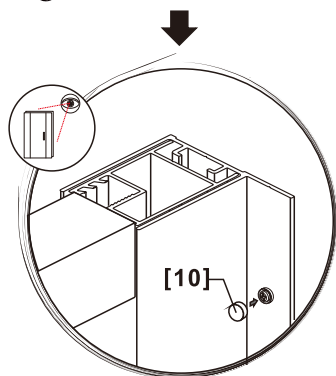
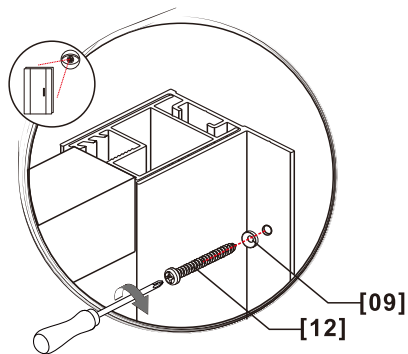
05

 [09] x4

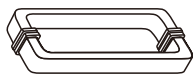
 [10] x4

 [12] x4 (ST4x35)

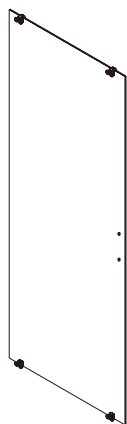
Secure it with screws.



06

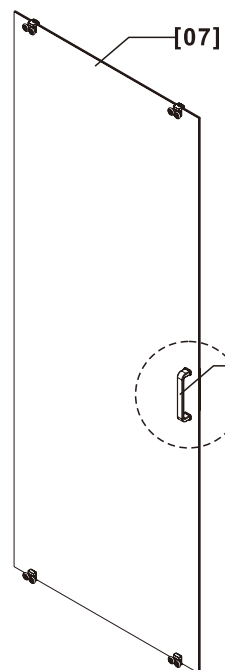
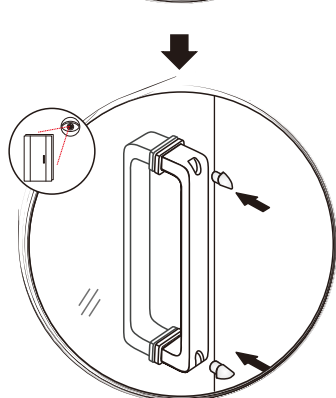
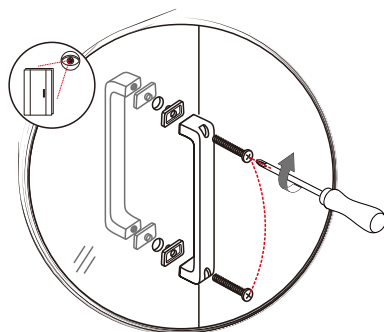


[15] x1



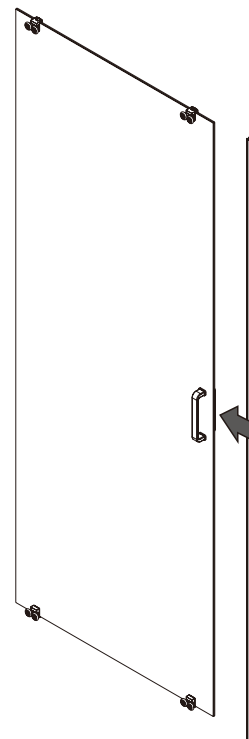
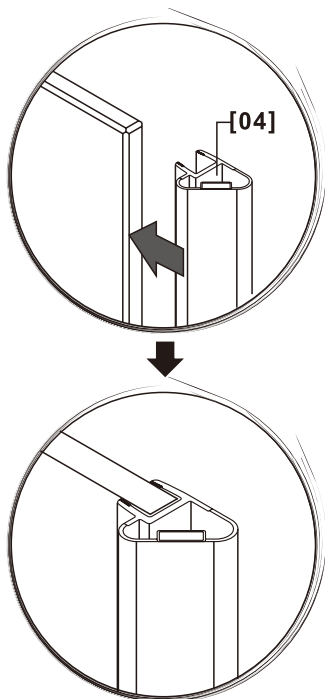
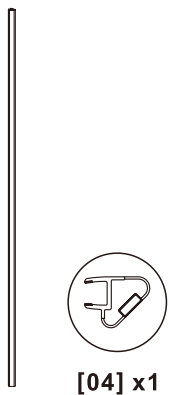
[07] x1

Assemble [15] handles. Please note that the side with the screws faces inward when installing.



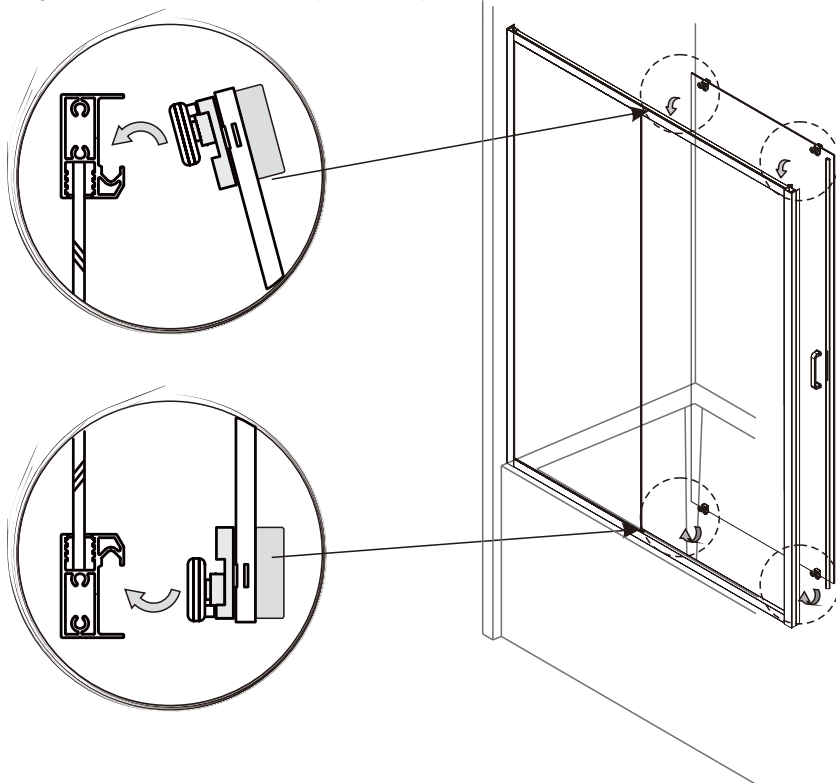
07

Insert [04] magnetic seal strip into the glass.



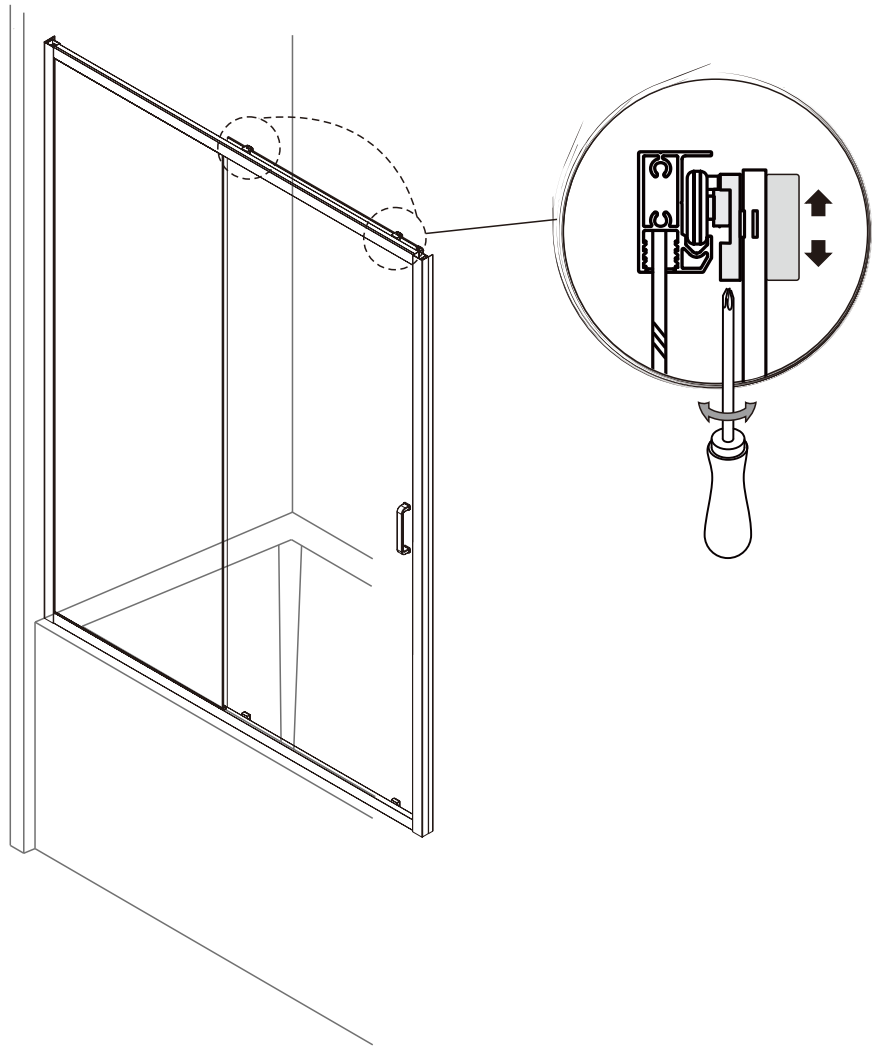
Hang up the glass. Make sure all snaps are in place.

08



09

Tighten the snap with a screwdriver.



If the door is tilted, adjust it to level.



Please read carefully, before you drill. Do not drill in the wrong location.

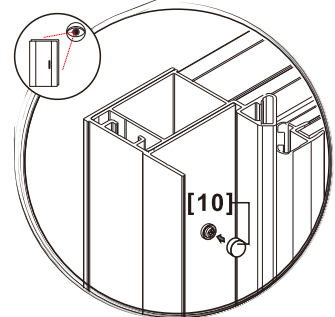
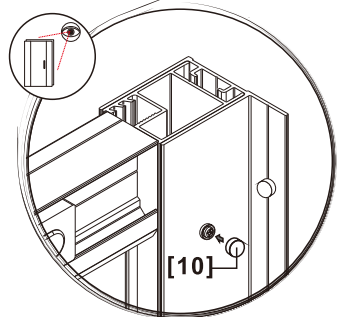
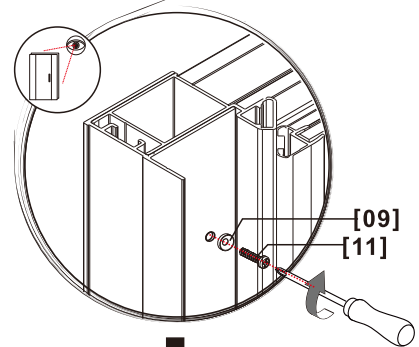
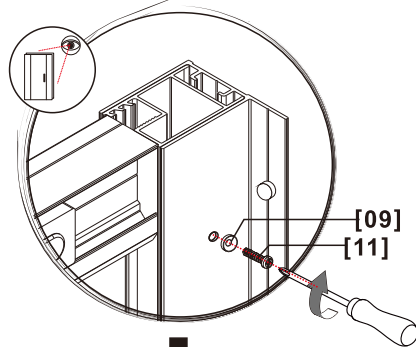
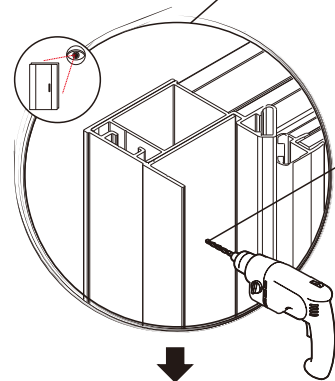
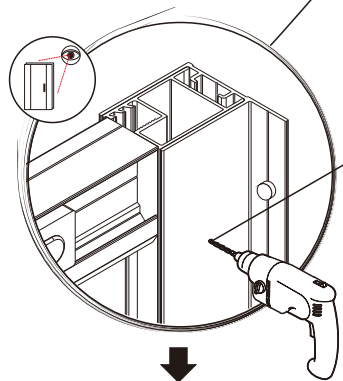
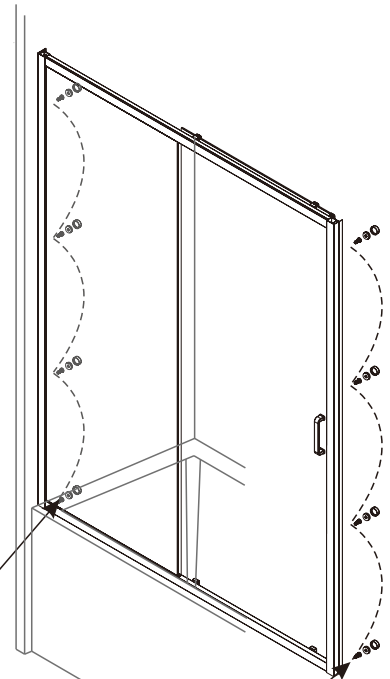
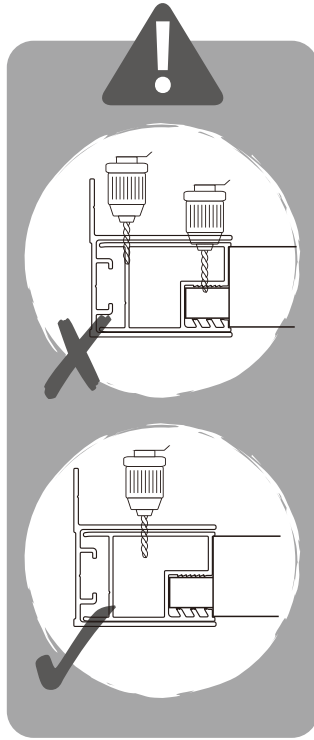
10

 [09] x8

 [10] x8

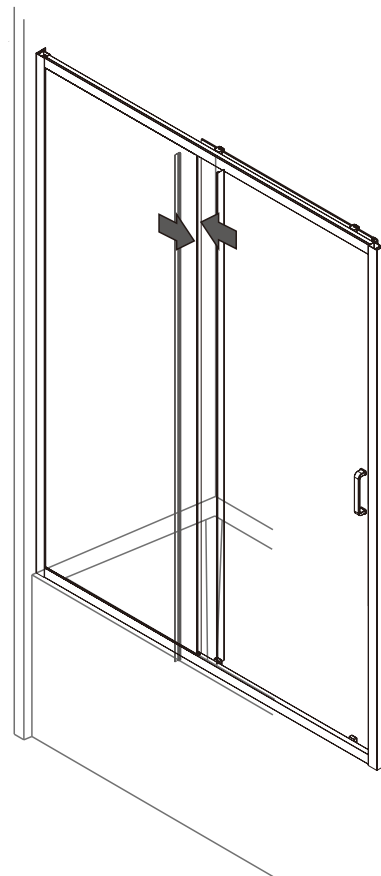
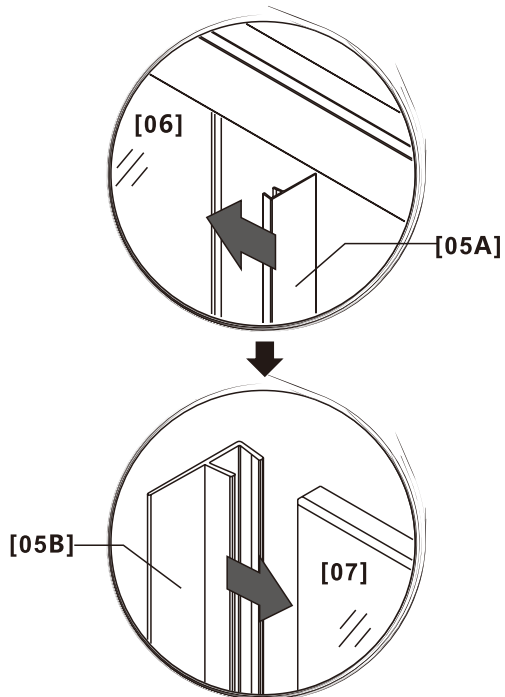
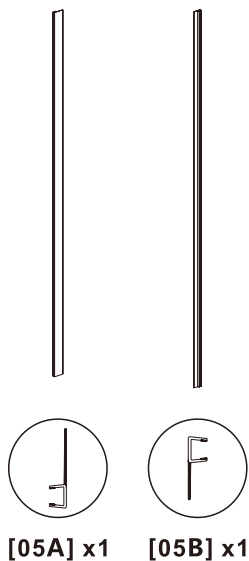
 

[11] x8 (ST4x10)



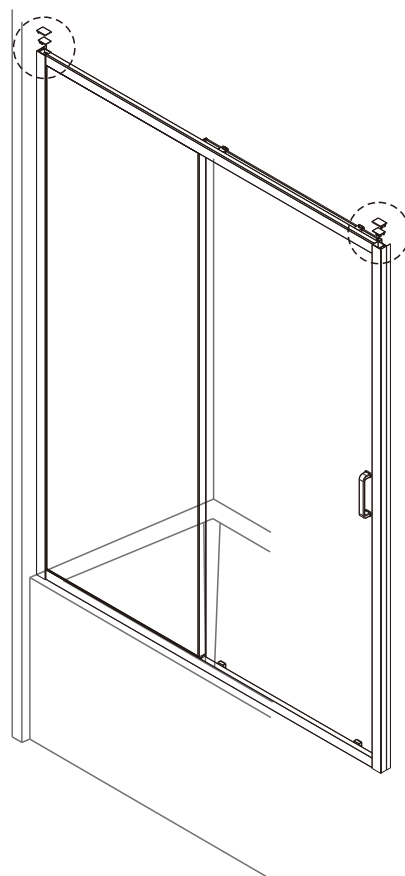
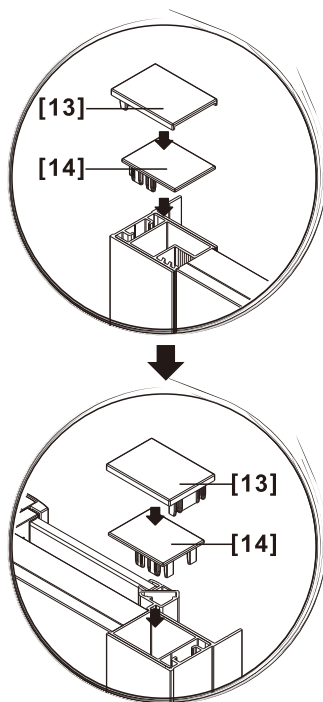
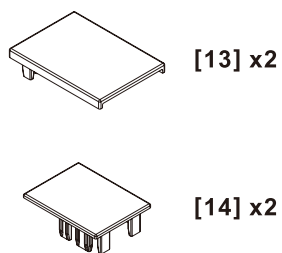
11

Insert [05A][05B] the seal strips on the glass.



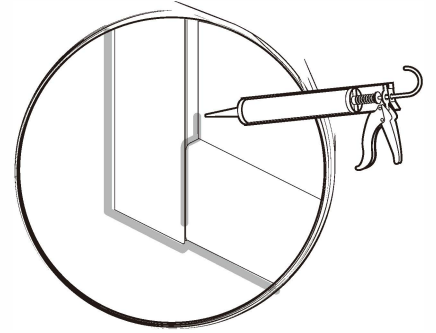
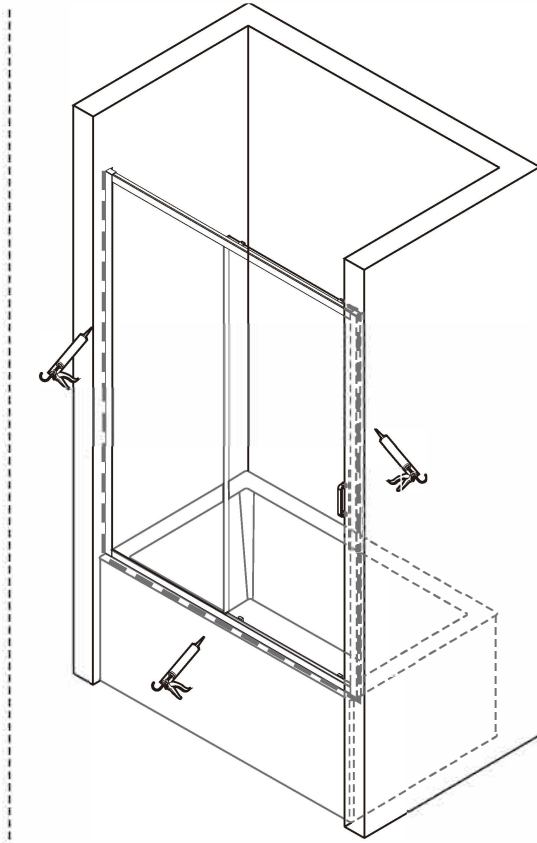
12

Put [13][14] covers on the both ends.



Apply enough waterproof glue to the dotted line.

13



24h



Keep out of water and use for 24 hours.

