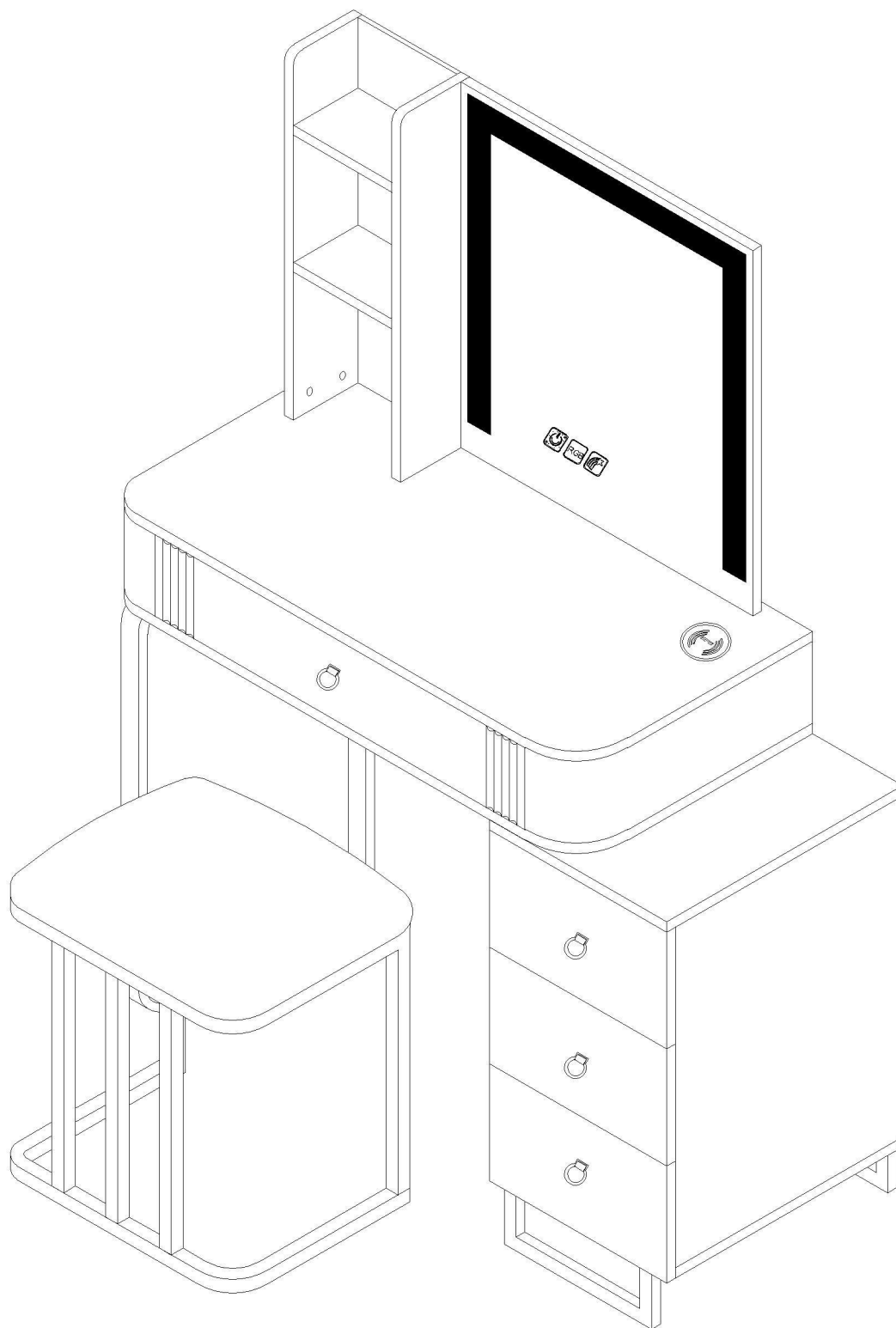
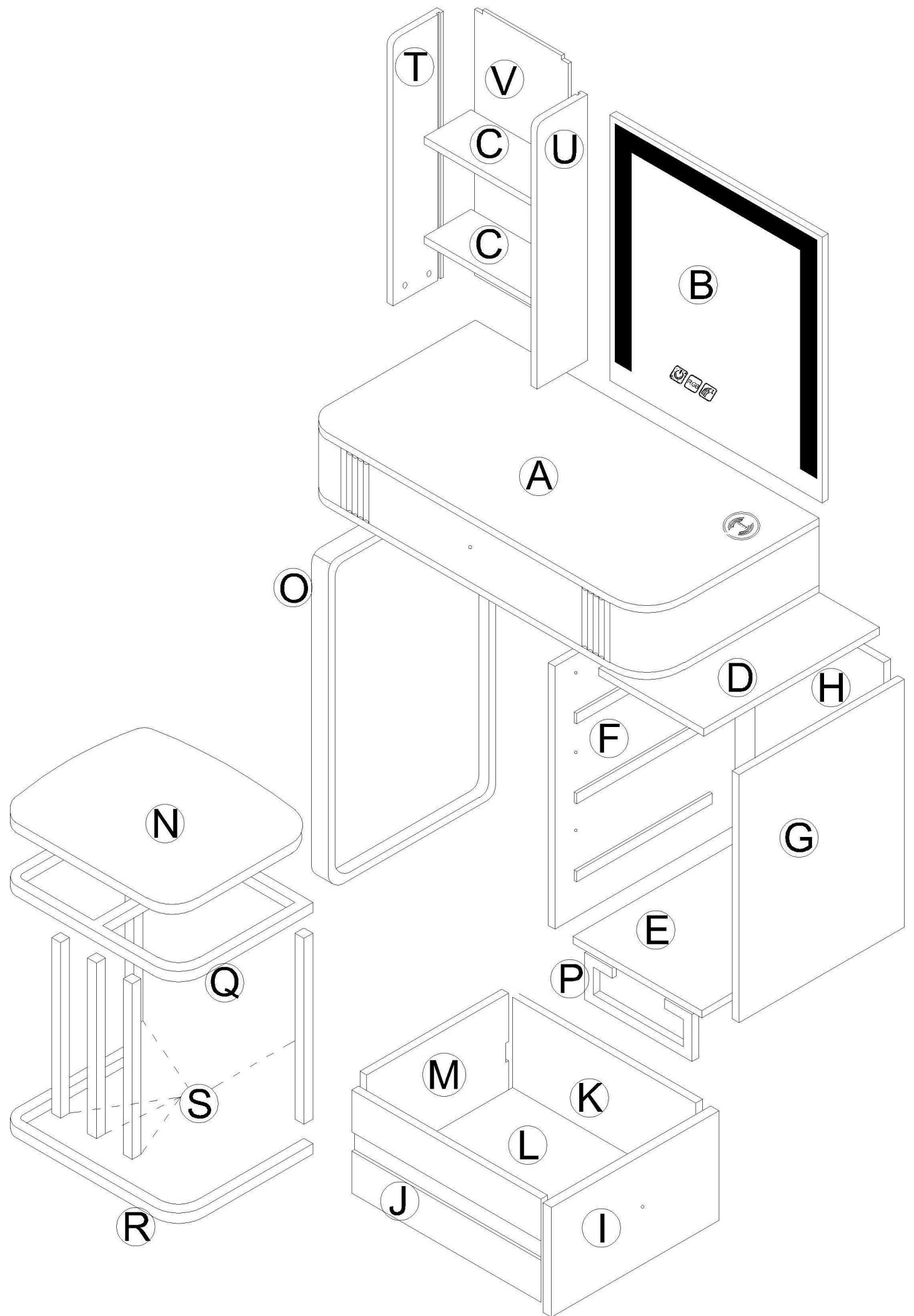
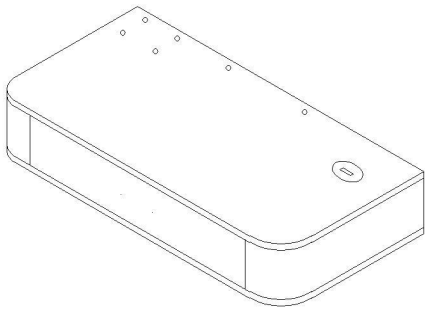


# Vanity Table Manual

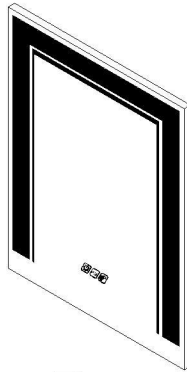




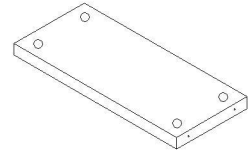
# Hardware list



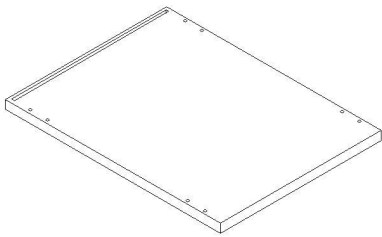
**A**



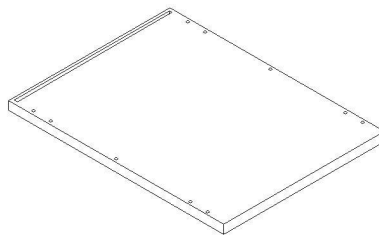
**B**



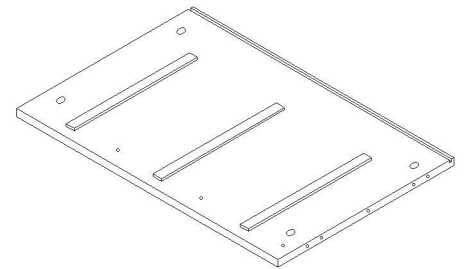
**Cx2**



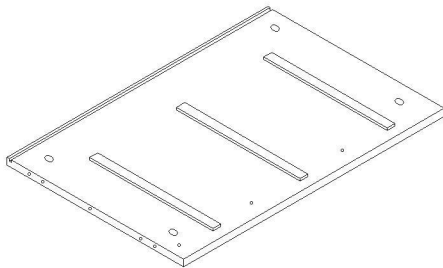
**D**



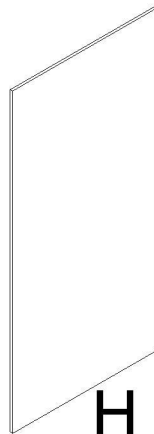
**E**



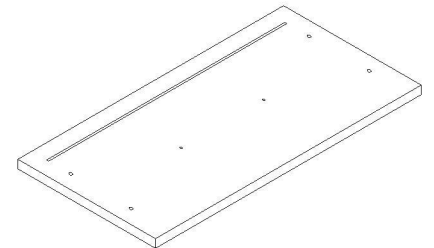
**F**



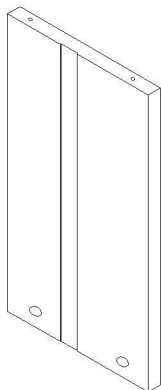
**G**



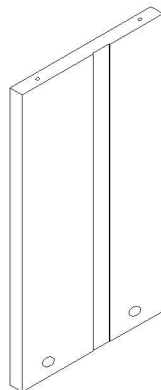
**H**



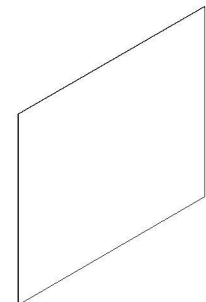
**Ix3**



**Jx3**

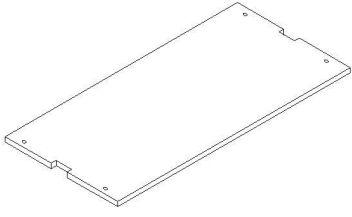


**Kx3**

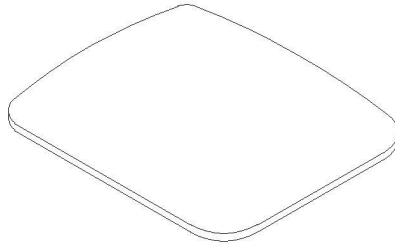


**Lx3**

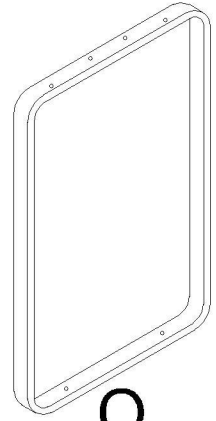
# Hardware list



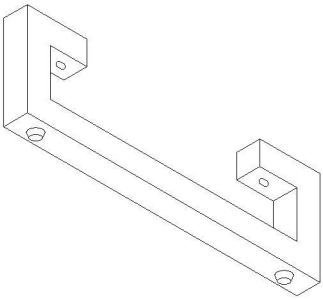
**Mx3**



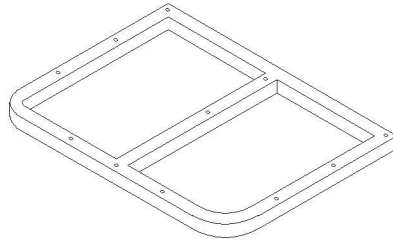
**N**



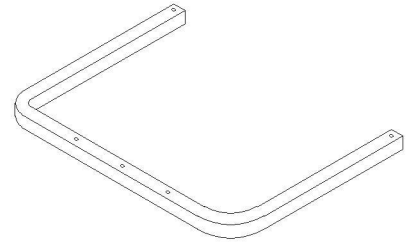
**O**



**Px2**



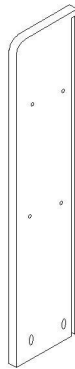
**Q**



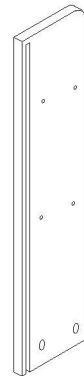
**R**



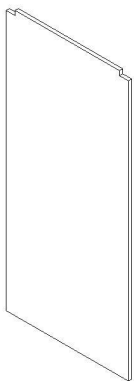
**Sx5**



**T**



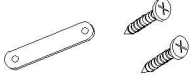

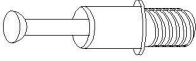


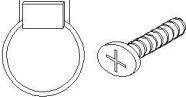
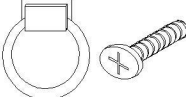


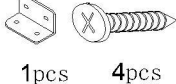


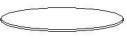

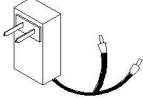






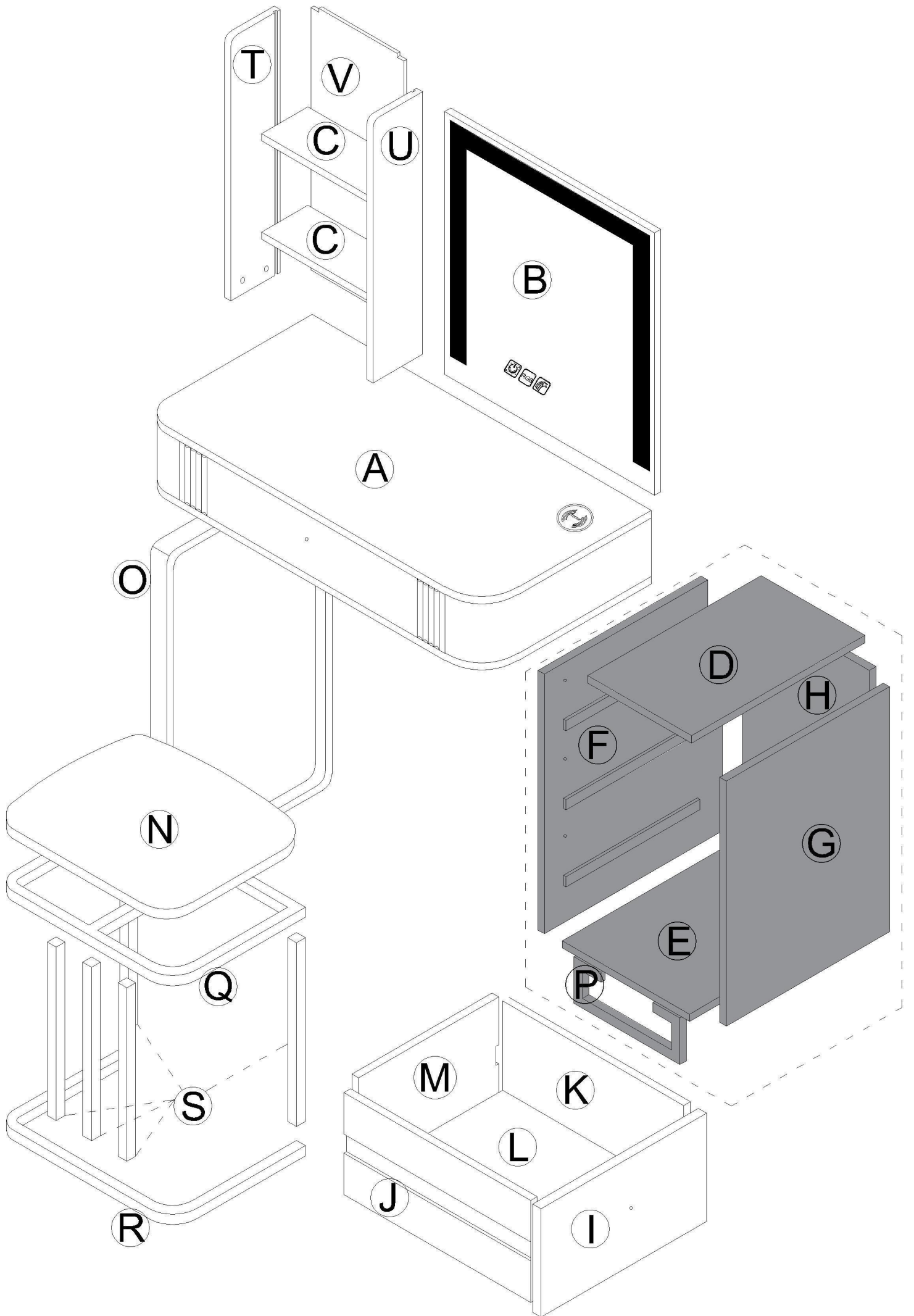
**U**




**V**

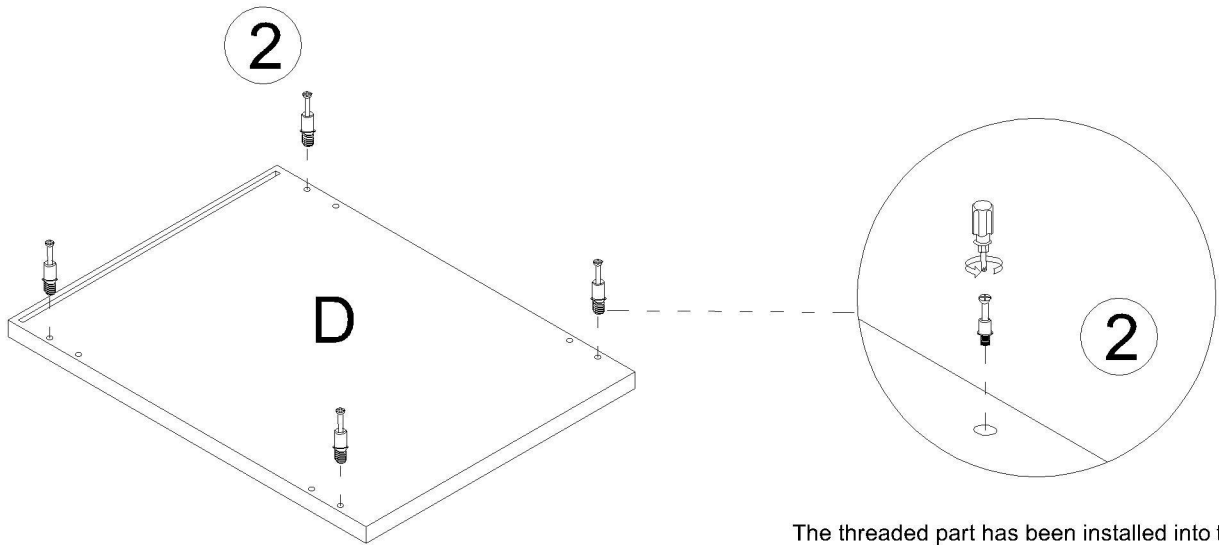
# Accessories list

①		22 Pcs	②		22 Pcs
Three in one nut (12x10mm)			Three in one screw (6*28mm)		
③		2 Pcs	④		22 Pcs
Self tapping wire(3x10mm)			Hexagonal machine wire (6x30mm)		
⑤		12 Pcs	⑥		12 Pcs
Two in one screw (38*10mm)			Two in one nut (10x14mm)		
⑦		12 Pcs	⑧		3 Pcs
Self tapping wire(4x30mm)			Cross machine wire (4x18mm)		
⑨		1 Pcs	⑩		6 Pcs
Cross machine wire (4x32mm)			Iron bar		
⑪		10 Pcs	⑫		2 Pcs
Wood chipping (6x30mm)			1pcs Corner code      4pcs Self tapping screw (3.5x12mm)		
⑬		4 Pcs	⑭		1 Pcs
Back plate buckle & Screw (3x16mm)			Hexagon socket screwdriver H4		
⑮		14 Pcs	⑯		1 Pcs
Protective sticker			Cross screwdriver		
⑰		1 Pcs	⑱		1 Pcs
The power adapter			Remote control		
⑲		1 Pcs	⑳		1 Pcs
Countersunk head tapping screw (4x45mm)			anti-tipping tape		
㉑		1 Pcs			
Countersunk head tapping screw (4x16mm) gasket					




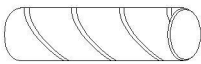
# Step 1

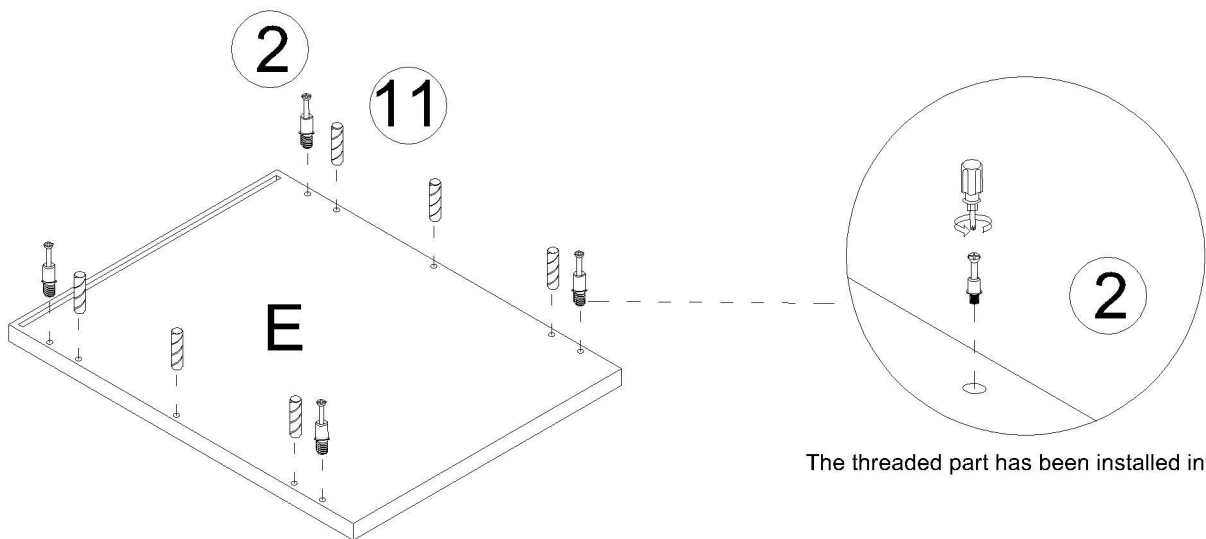
2		x 4
---	--	-----



The threaded part has been installed into the hole.

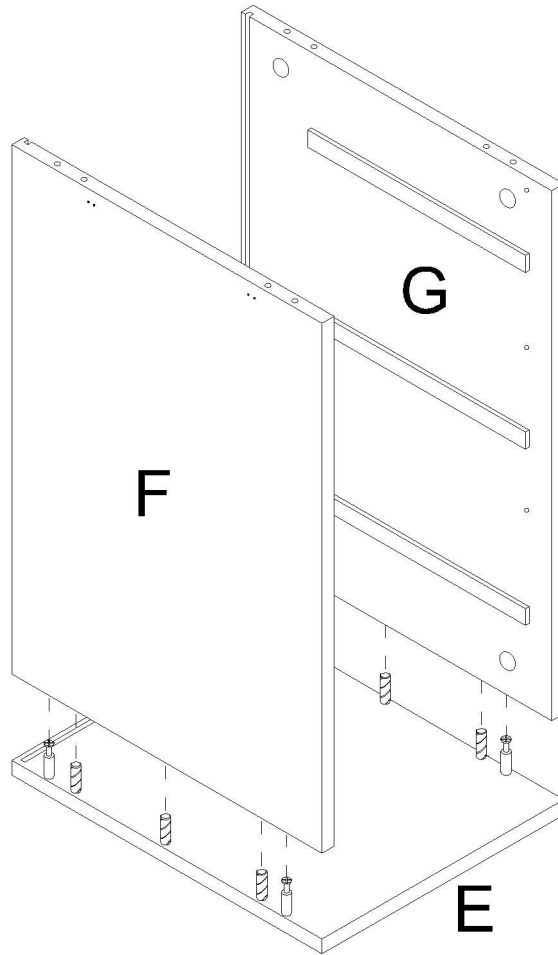
# Step 2

2		x 4
11		x 6

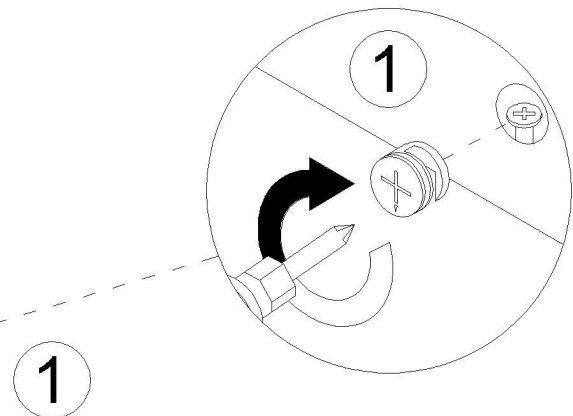
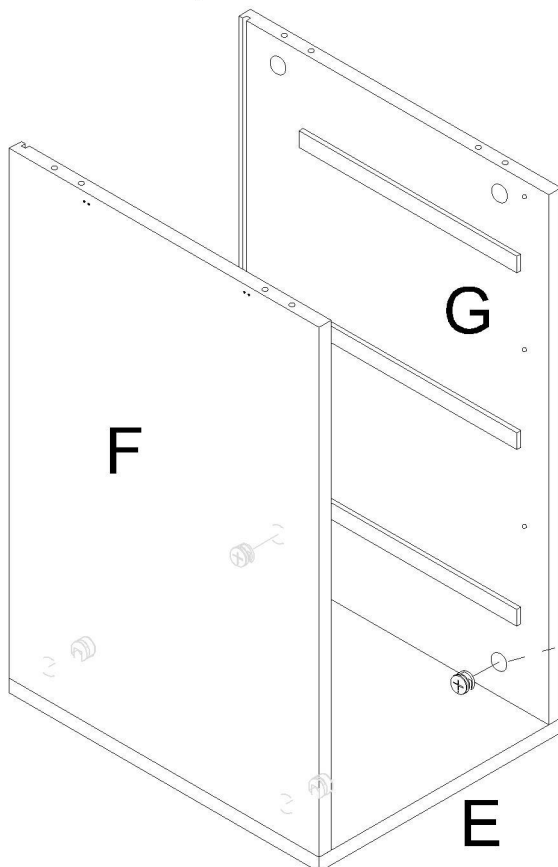


The threaded part has been installed into the hole.

### Step 3

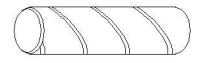


### Step 4

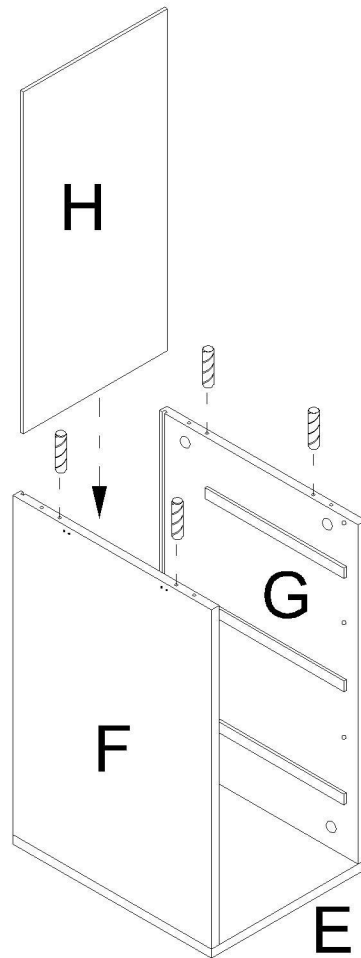


## Step 5

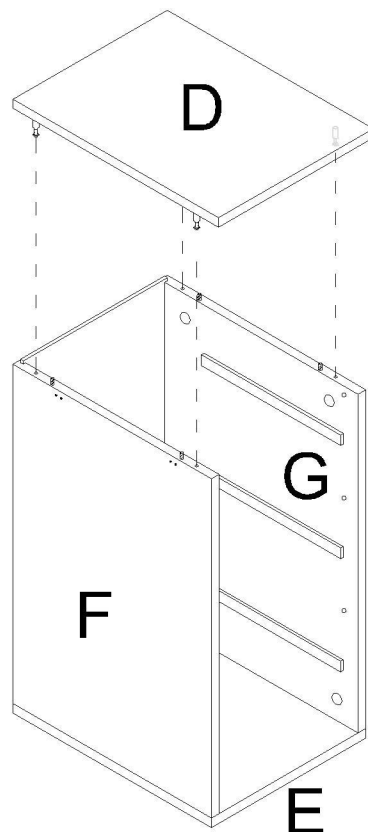
11



x 4



## Step 6

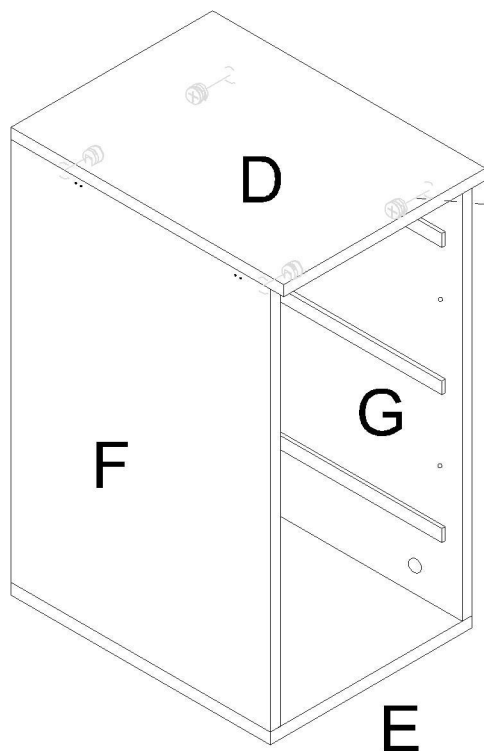


# Step 7

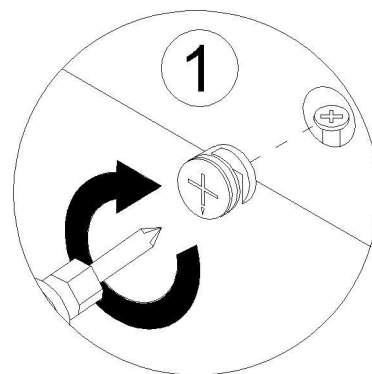
1



x 4

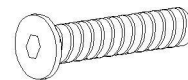


1

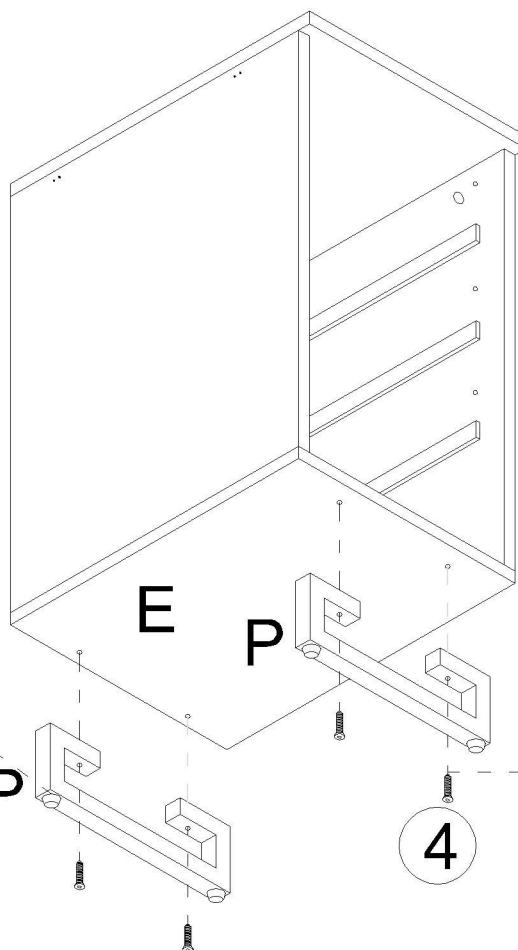


# Step 8

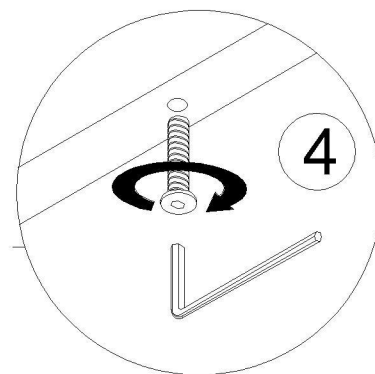
4



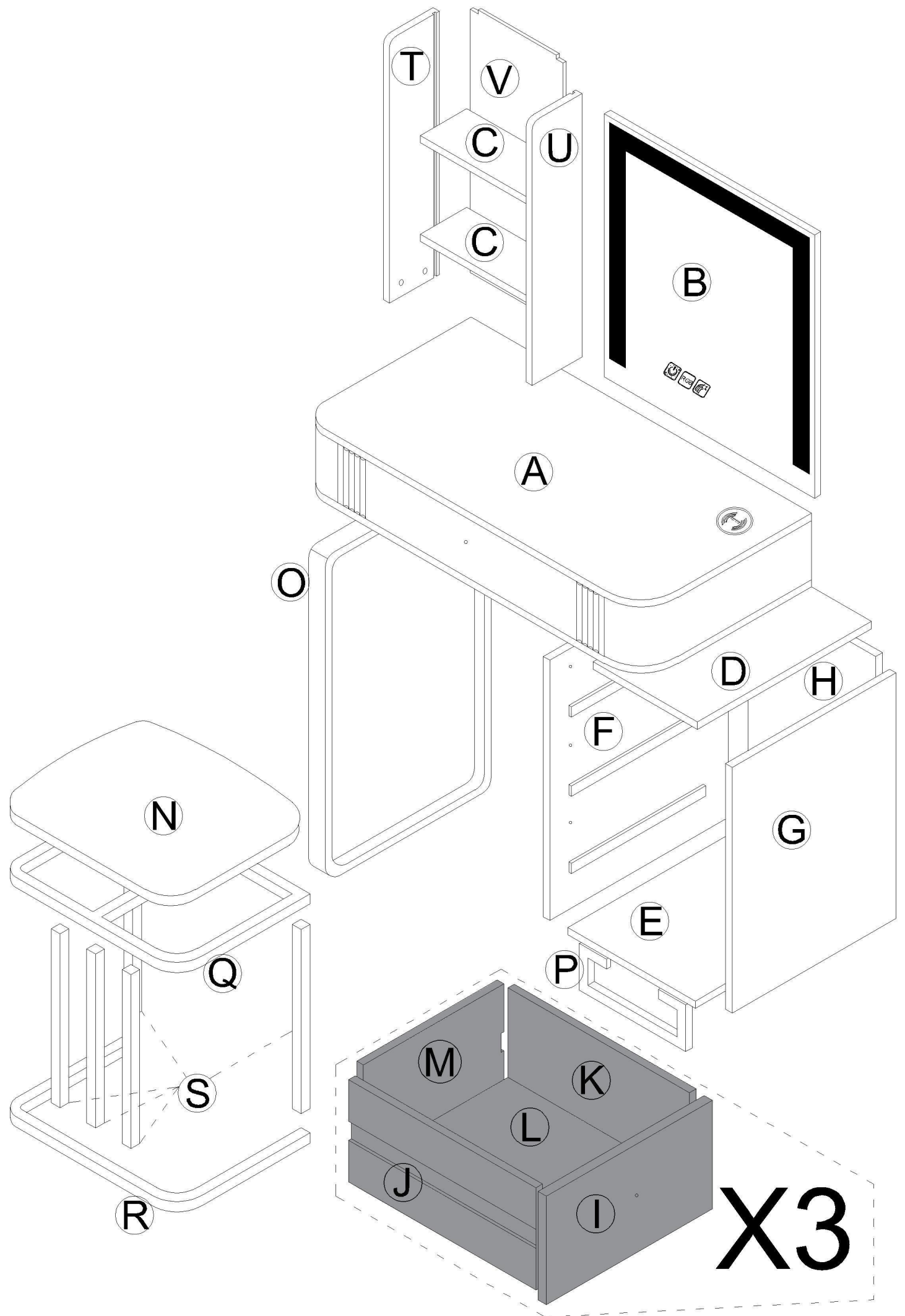
x 4



4



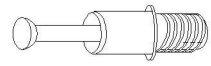
Note that the foot pad at the bottom of the iron frame P can be rotated and adjusted according to the actual situation.



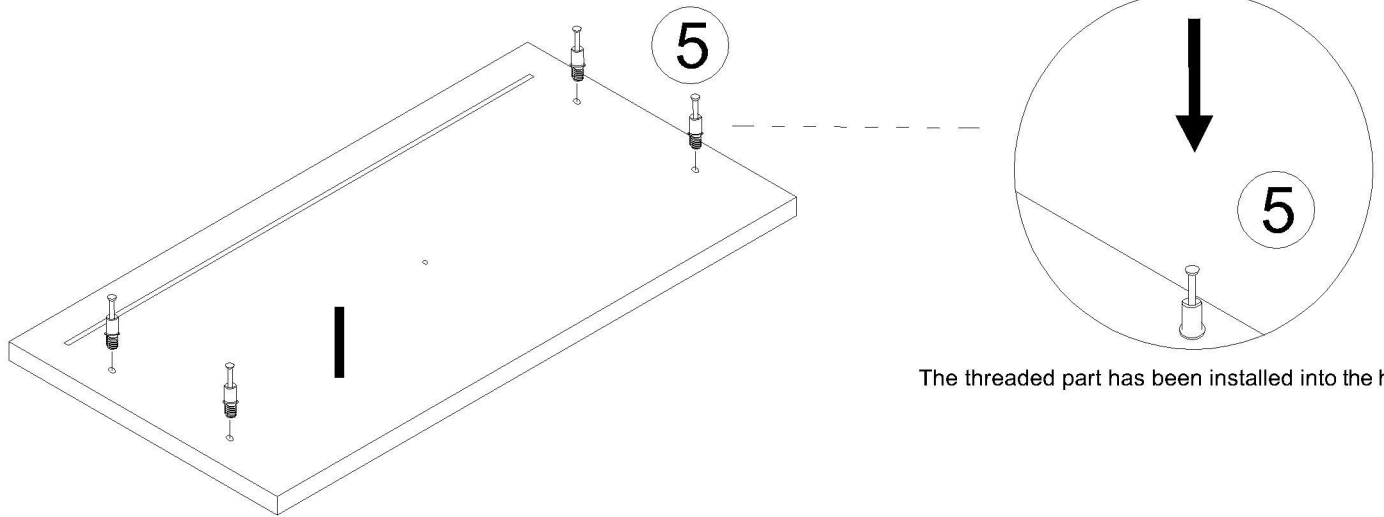
Step 9

x3

5



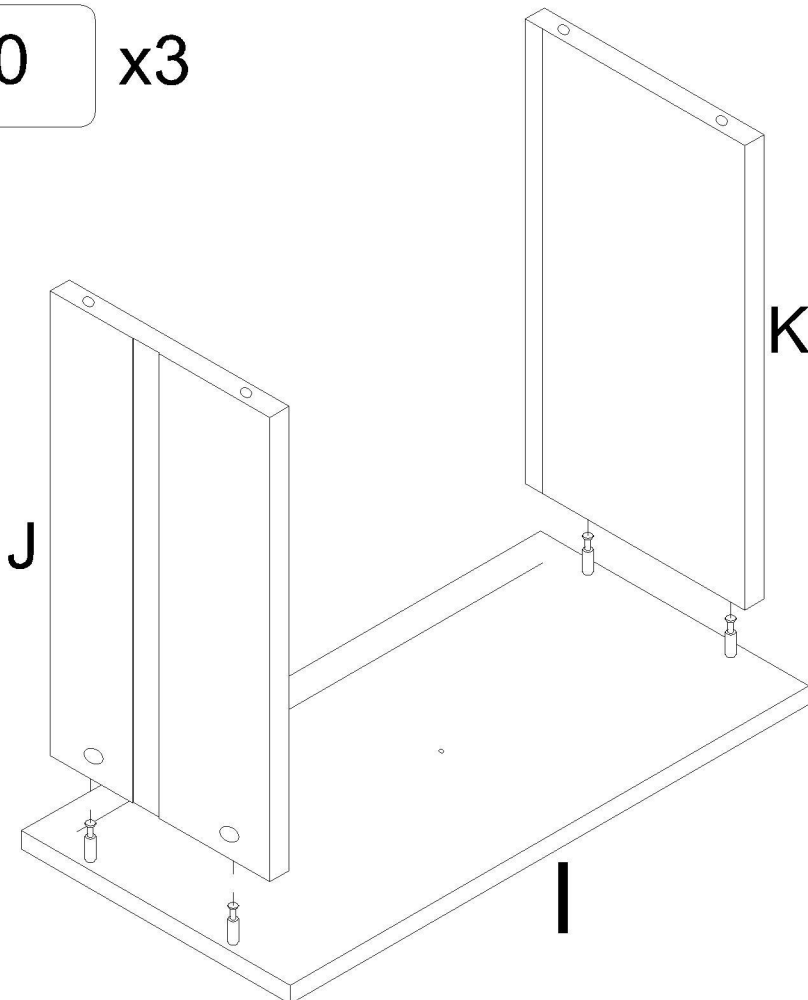
x 4



The threaded part has been installed into the hole.

Step 10

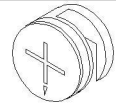
x3



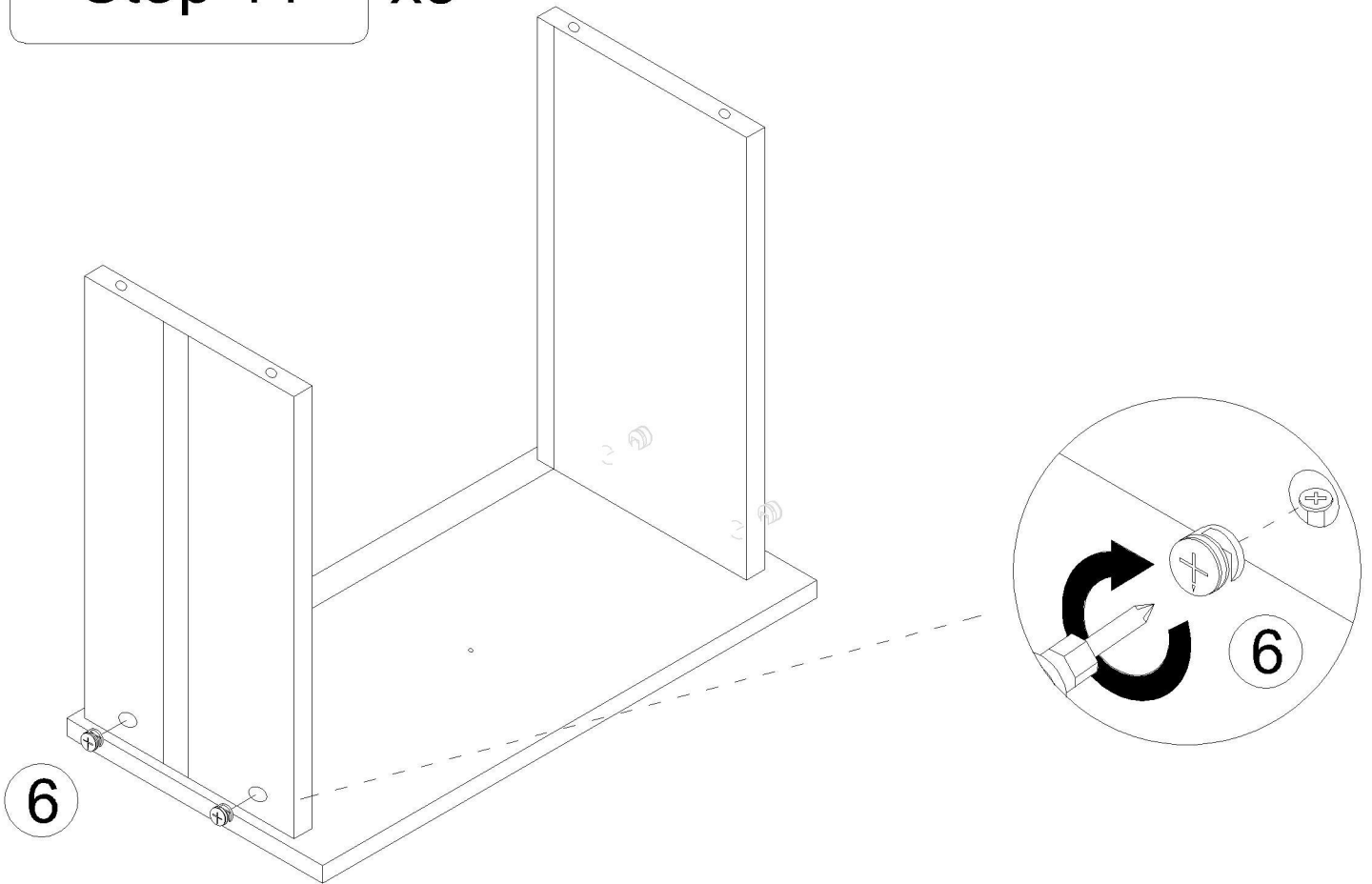
Step 11

x3

6

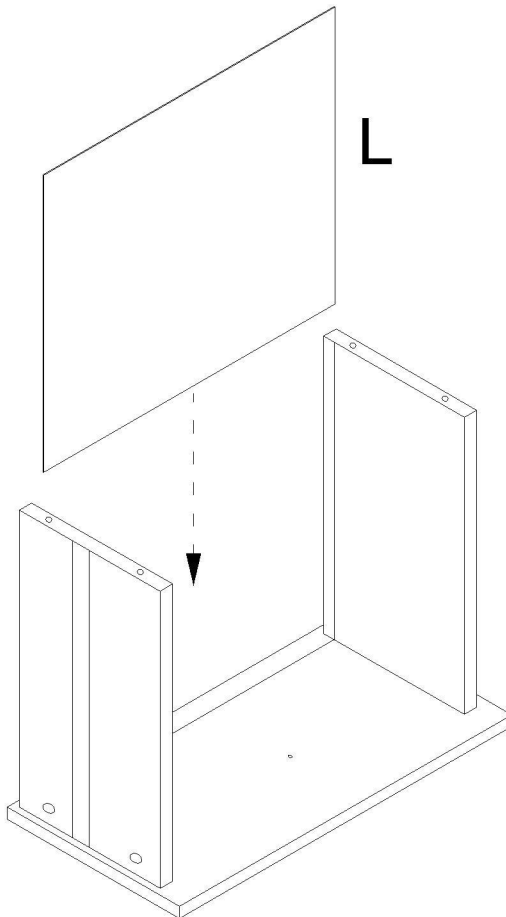


x 4



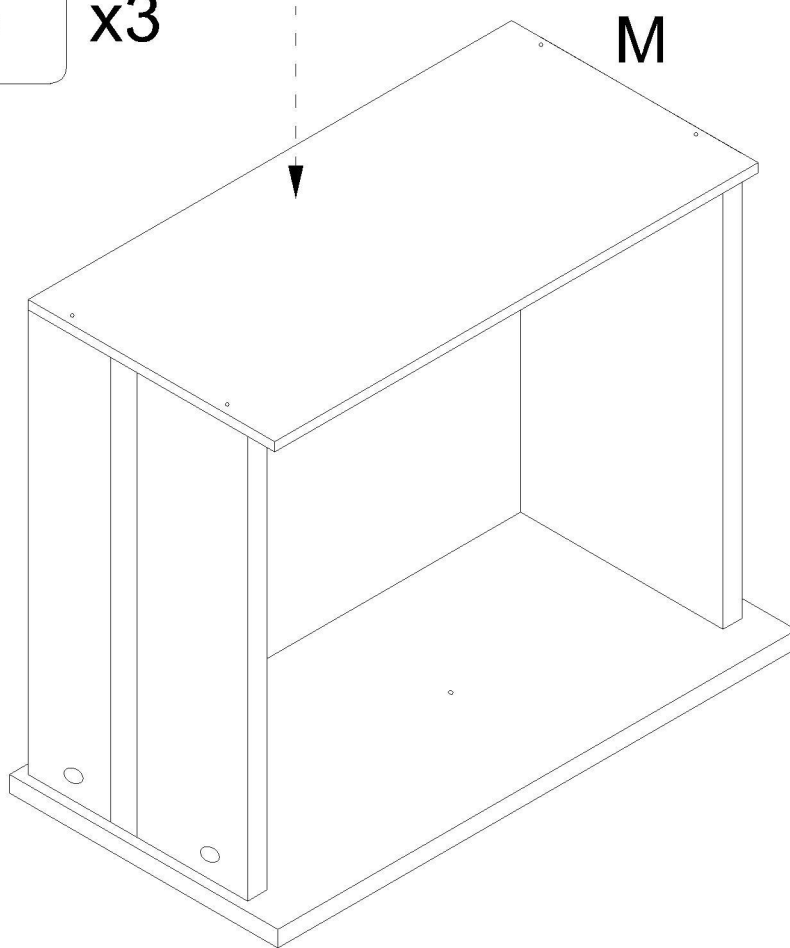
Step 12

x3



Step 13

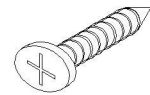
x3



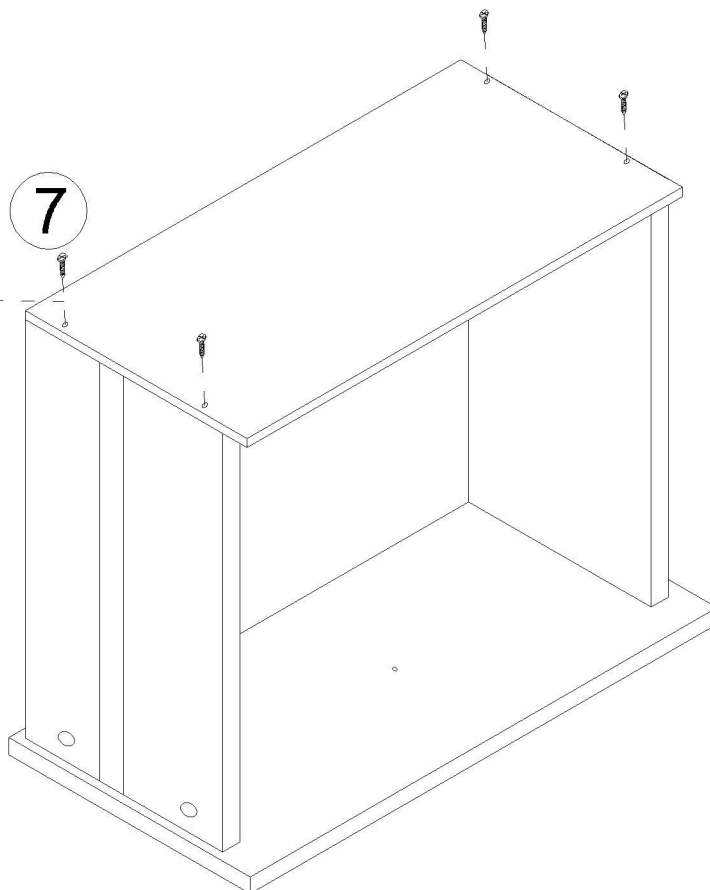
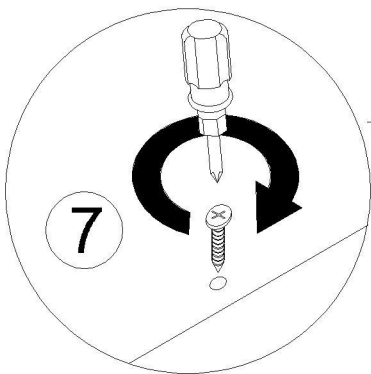
Step 14

x3

7

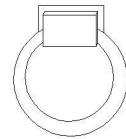


x 4

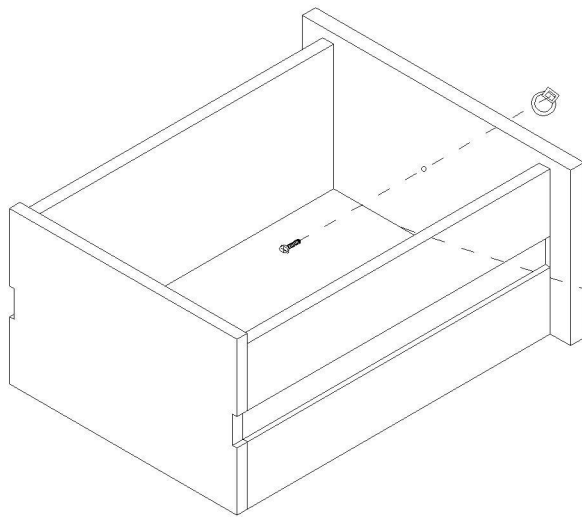


# Step 15 x3

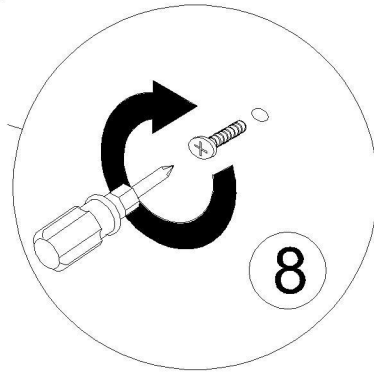
8



x 1



8

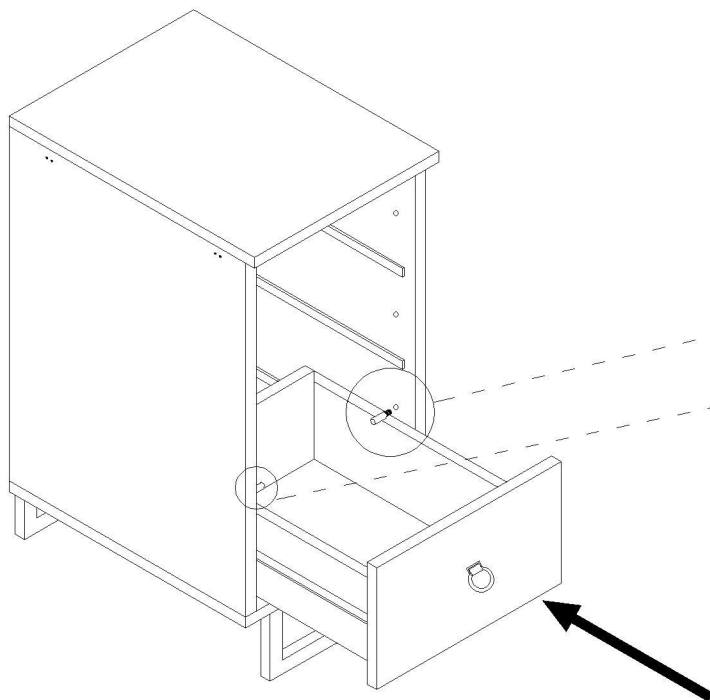


# Step 16

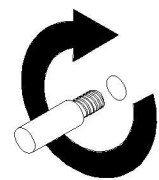
10



x 2



10

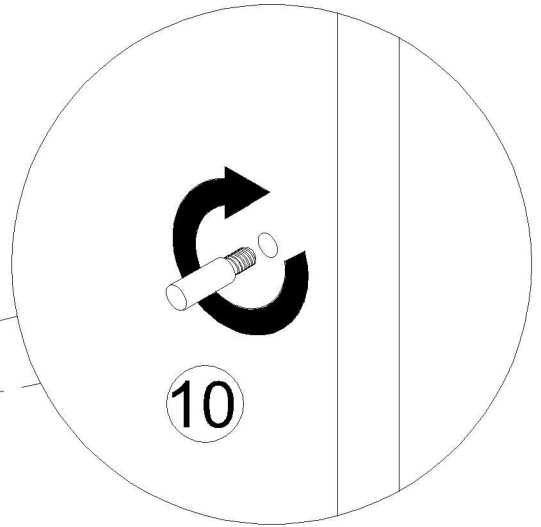
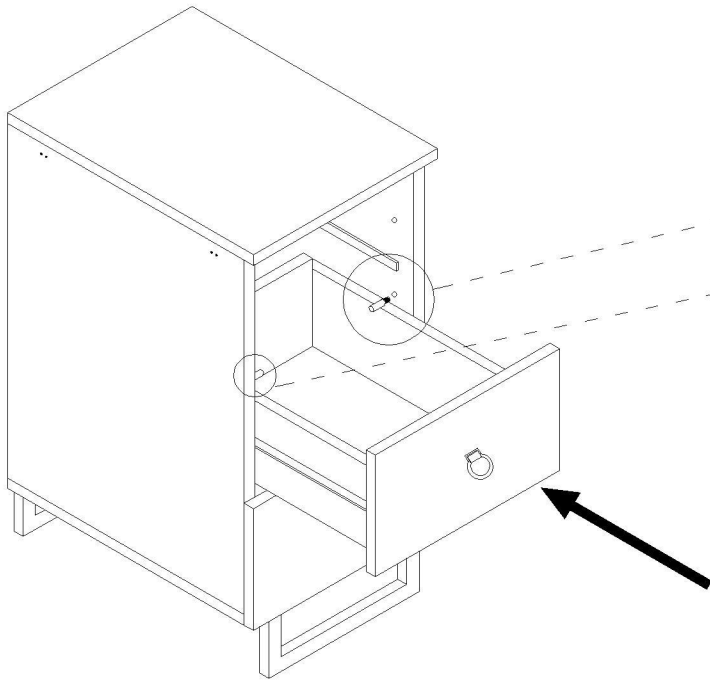


# Step 17

10



x 2

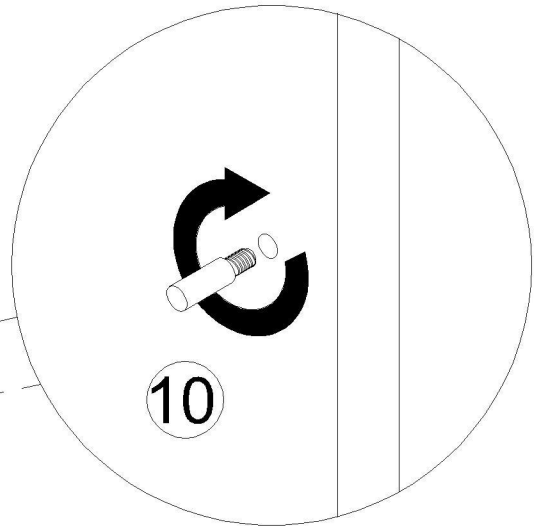
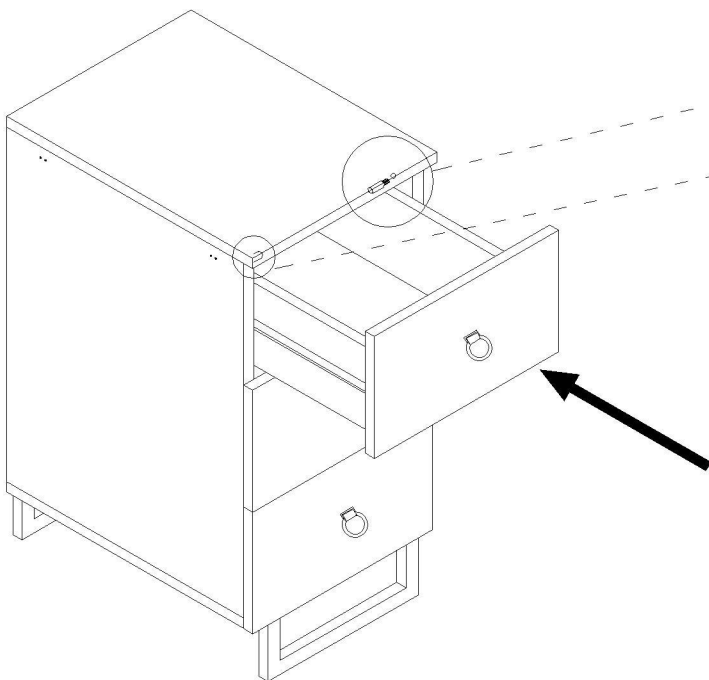


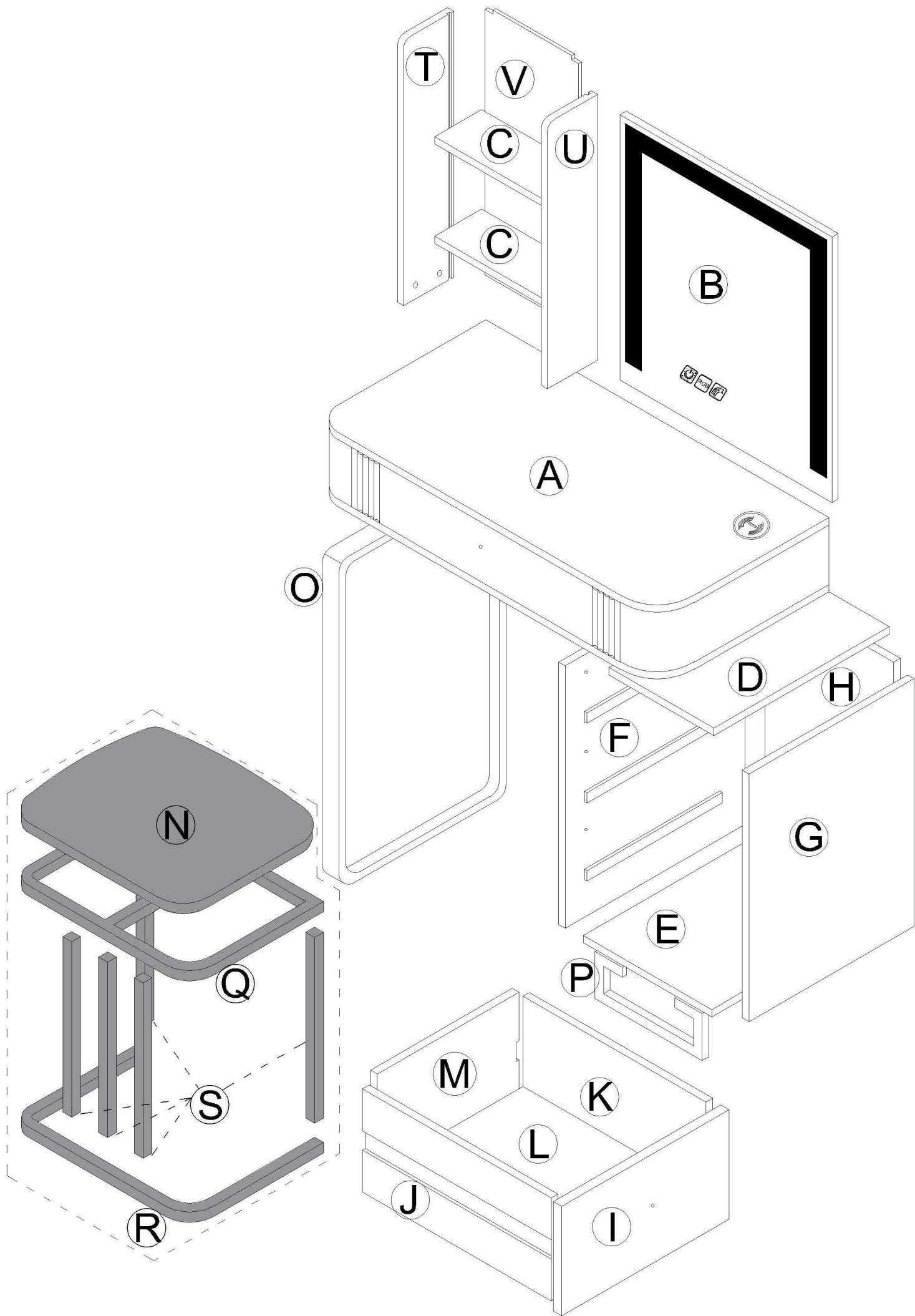
# Step 18

10

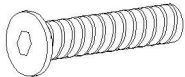


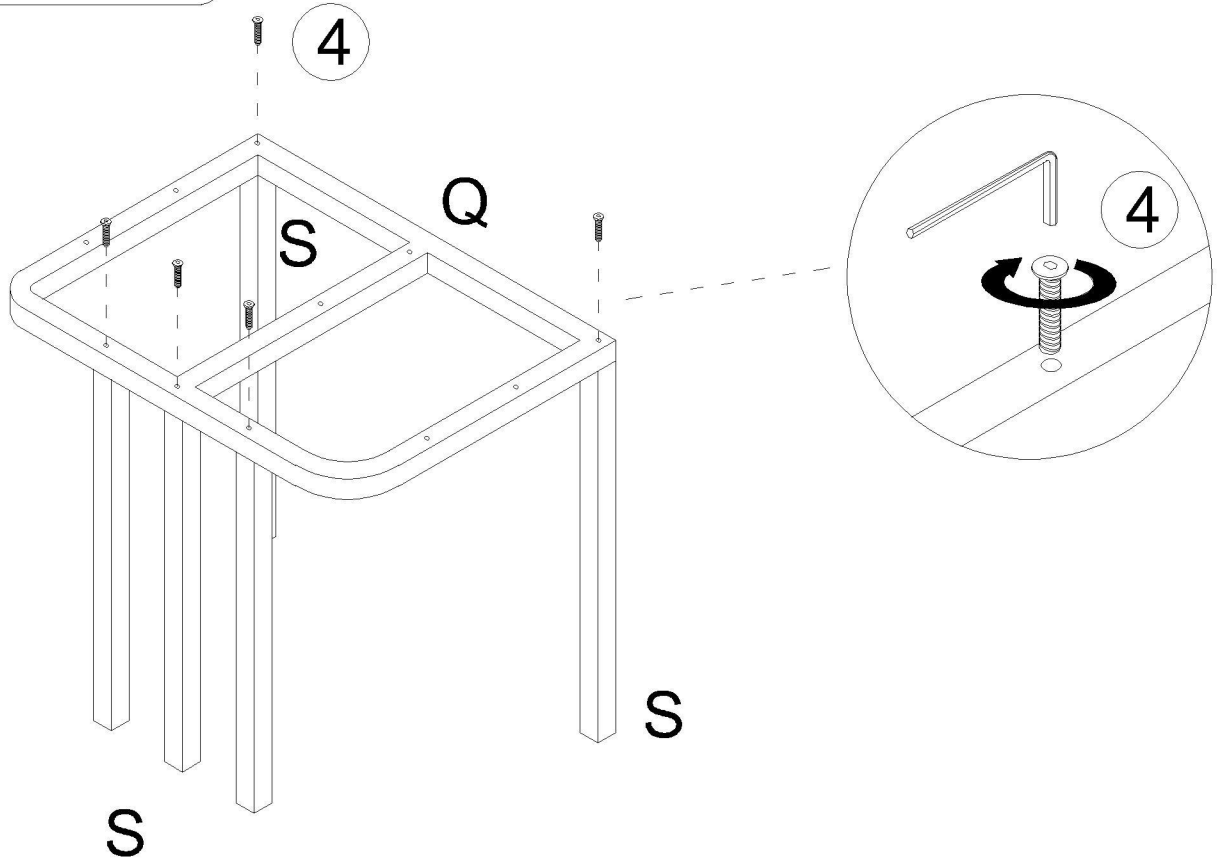
x 2



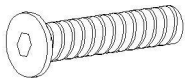


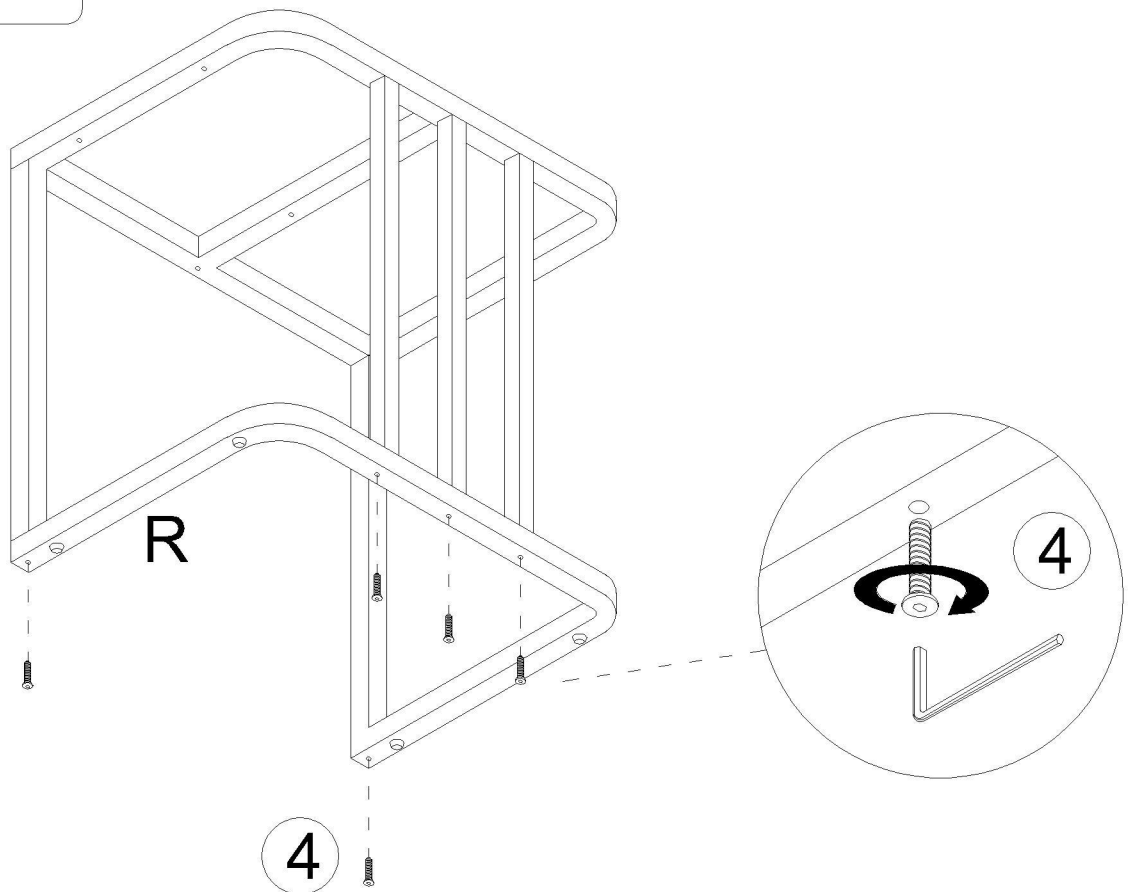
# Step 19

4  x 5



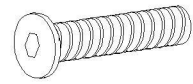
# Step 20

4  x 5

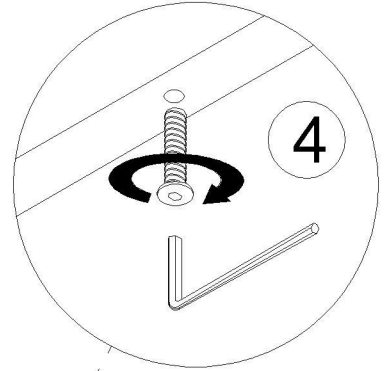
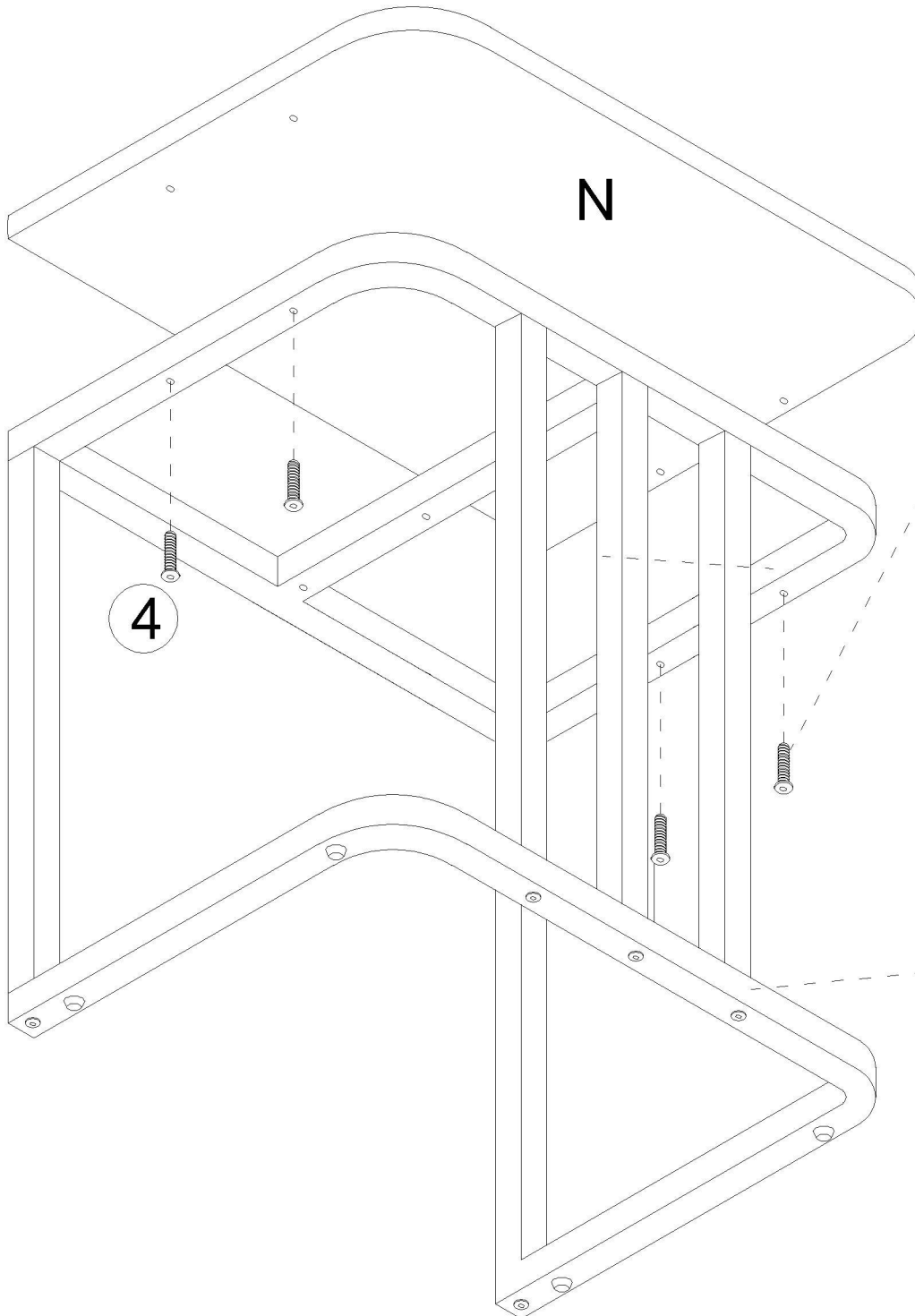


# Step 21

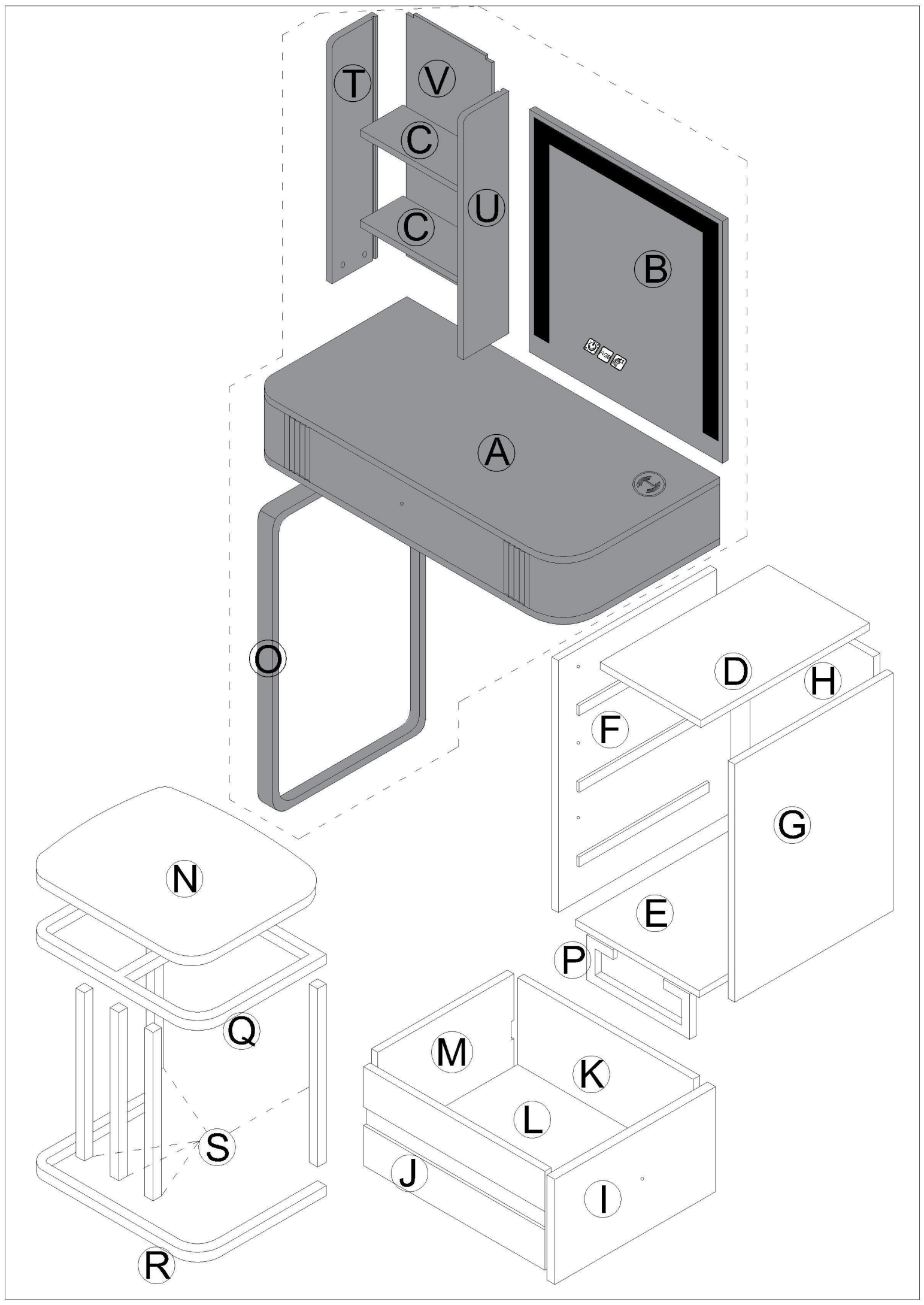
4



x 4



Note that the foot pad at the bottom of the iron frame R can be rotated and adjusted according to the actual situation.



T

V

C

C

U

B

A

O

D

H

F

G

E

P

N

Q

M

K

S

L

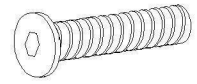
R

J

I

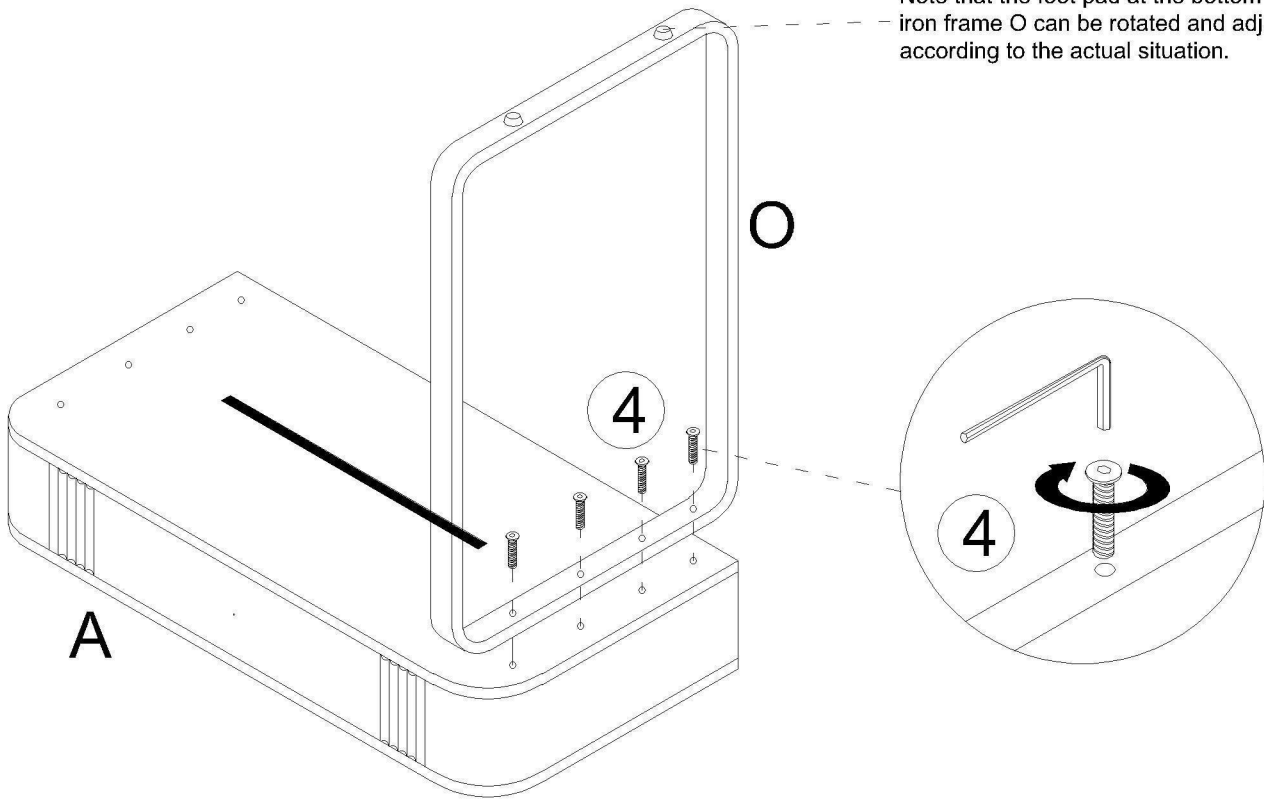
# Step 22

4

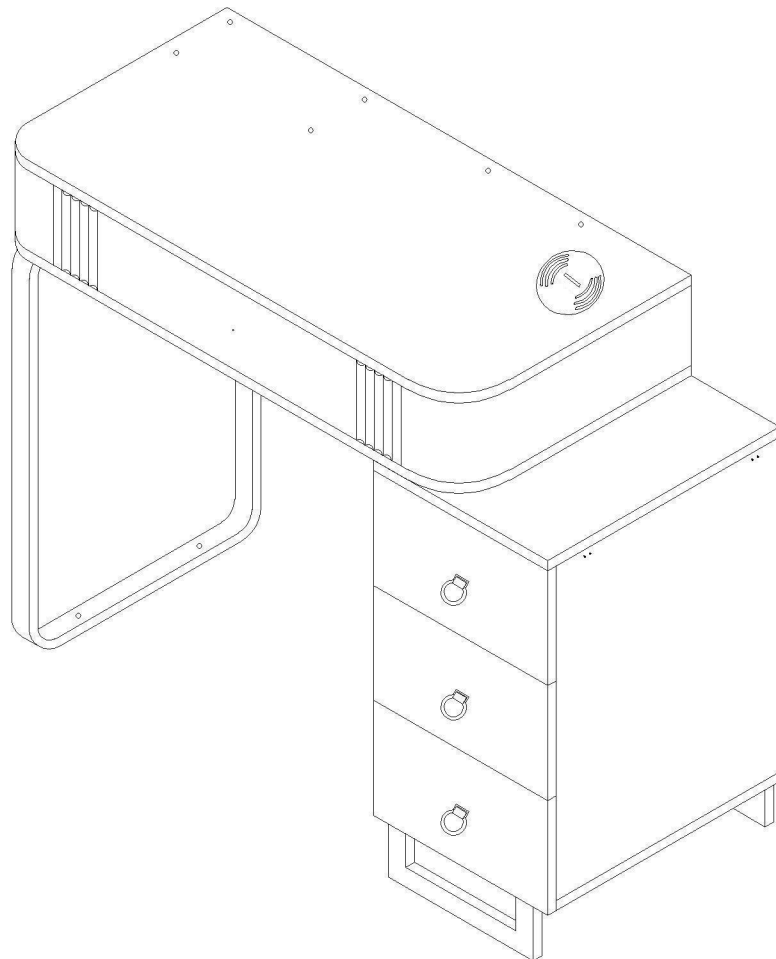


x 4

Note that the foot pad at the bottom of the iron frame O can be rotated and adjusted according to the actual situation.



# Step 23



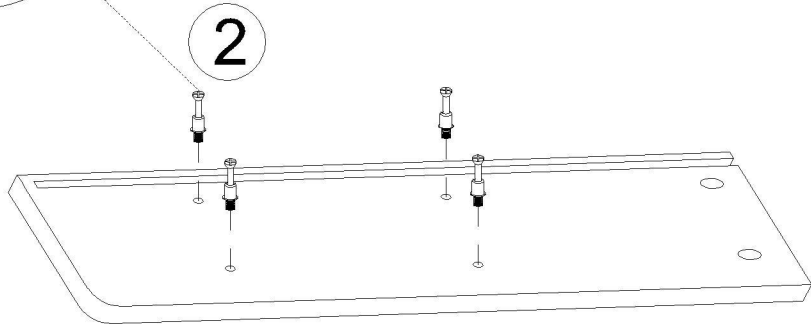
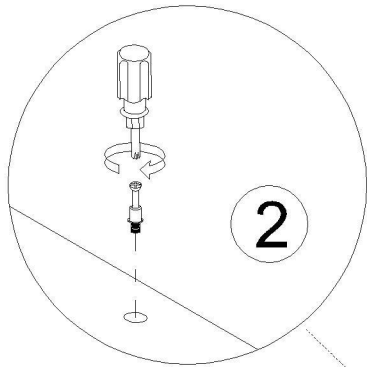
# Step 24

2



x 4

The threaded part has been installed into the hole.



T

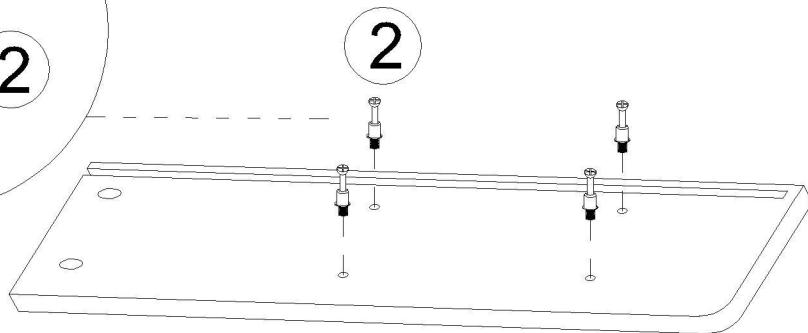
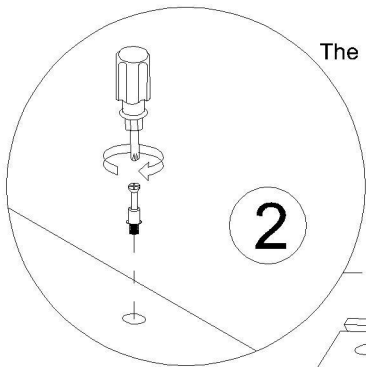
# Step 25

2





x 4

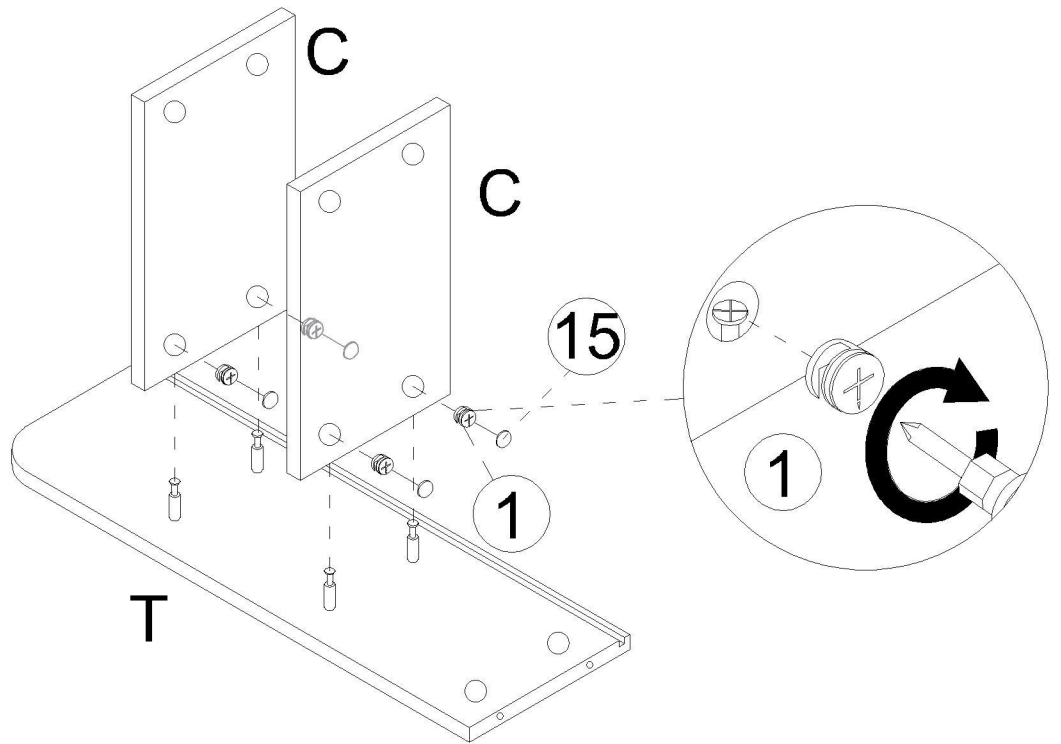
The threaded part has been installed into the hole.



U

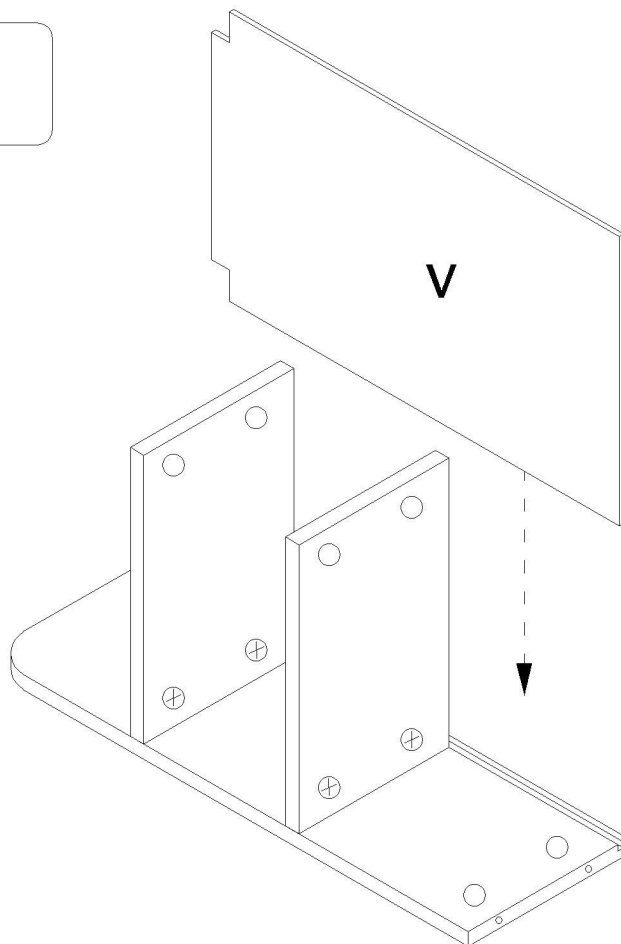
# Step 26

1		x 4
15		x 4

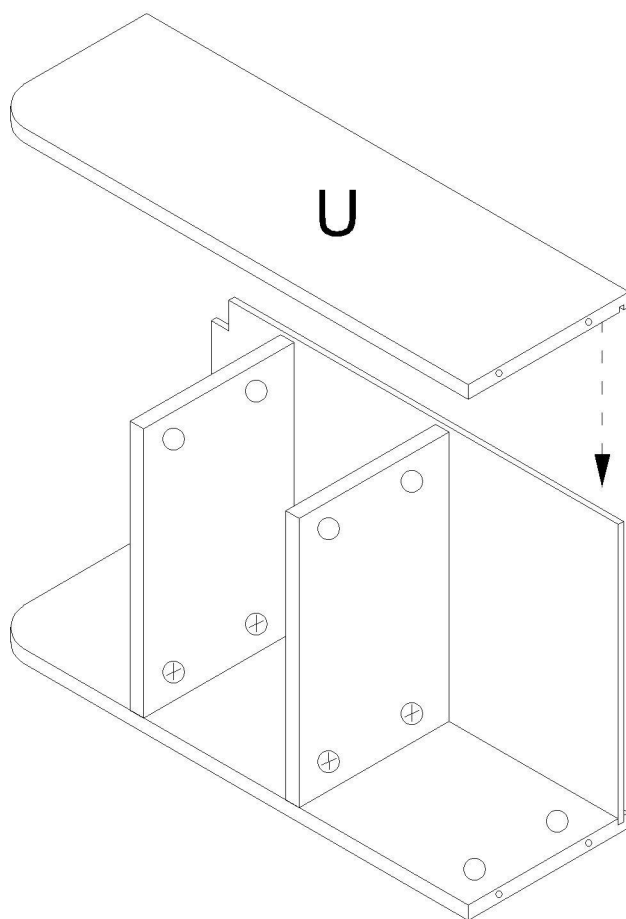


Attach attachment 15 to the outside after installing the screws

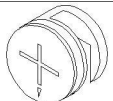

# Step 27

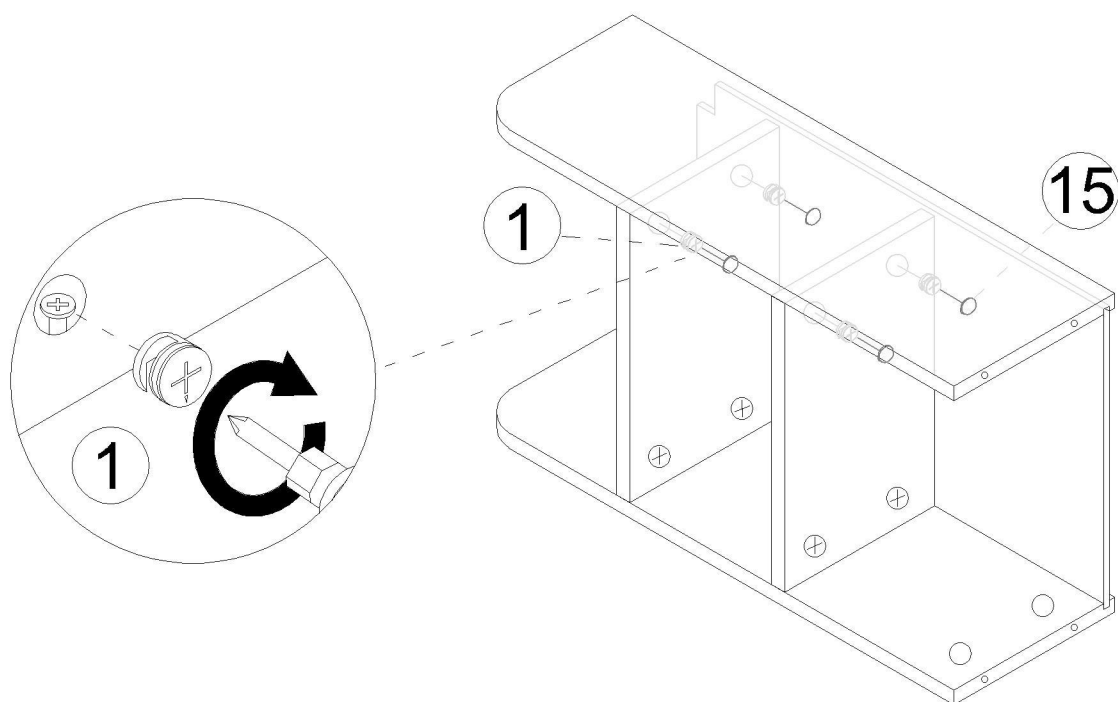


## Step 28



## Step 29

1		x 4
15		x 4



Attach attachment ⑮ to the outside after installing the screws

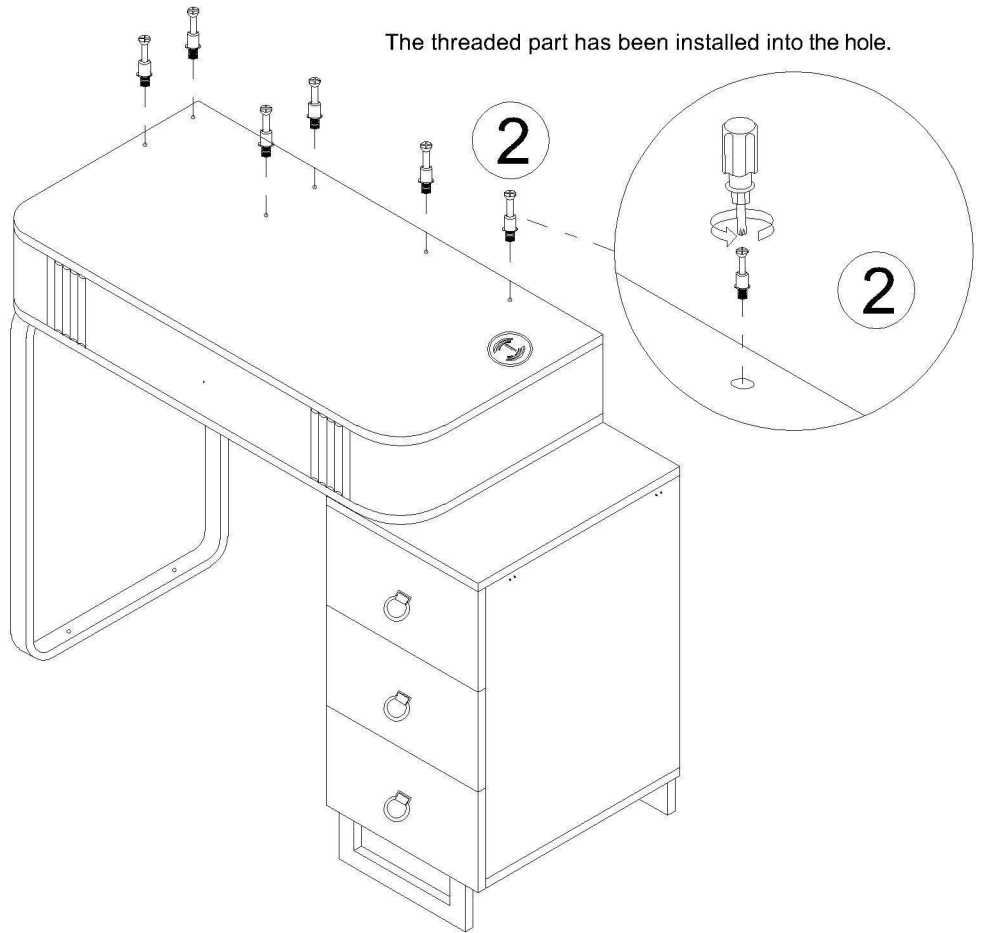
# Step 30

2

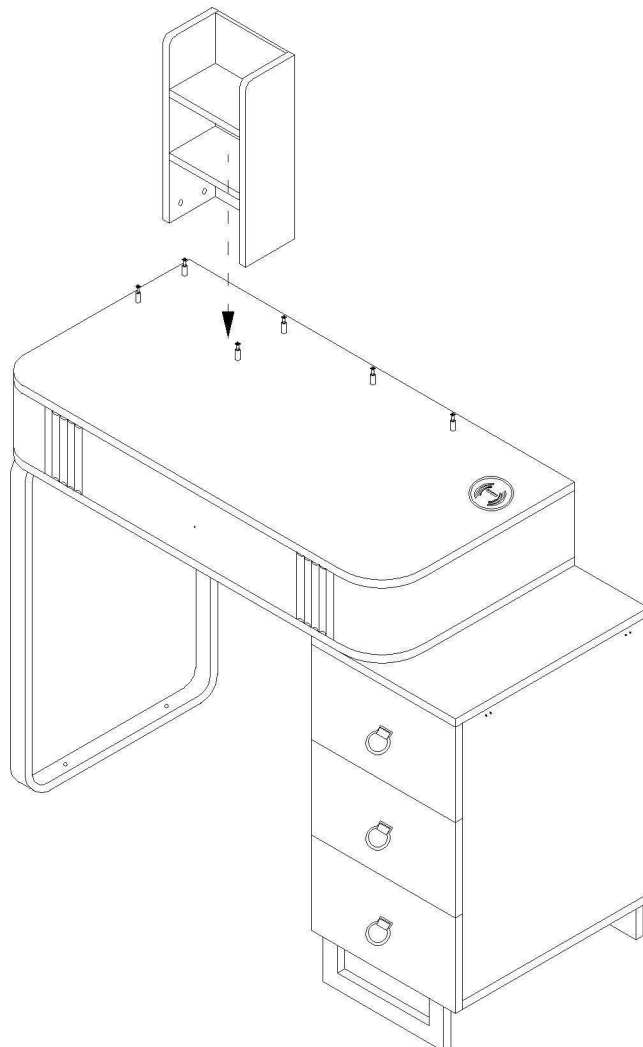


x 6

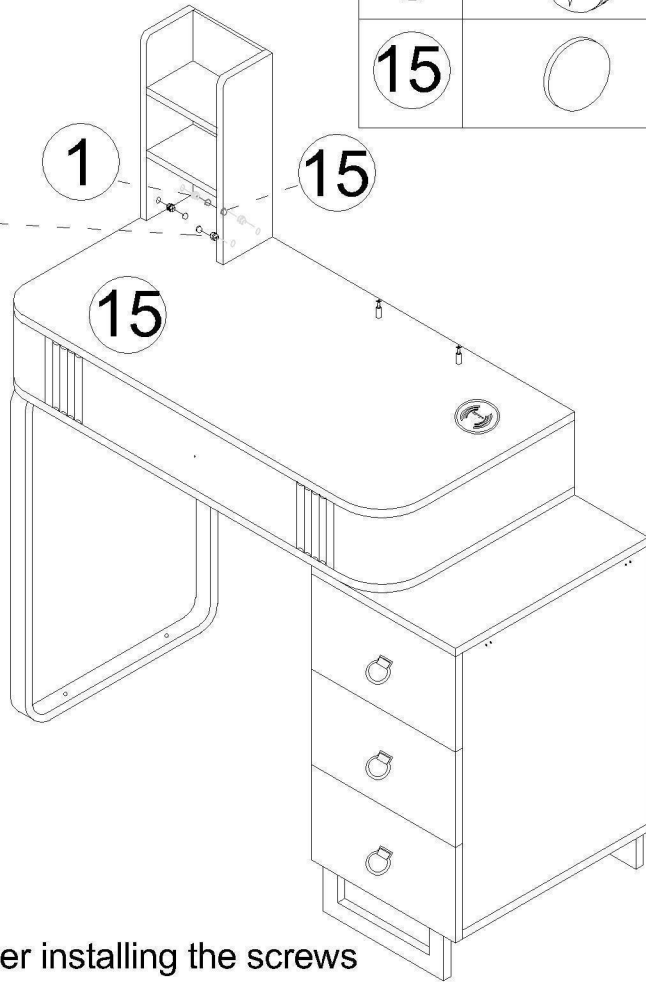
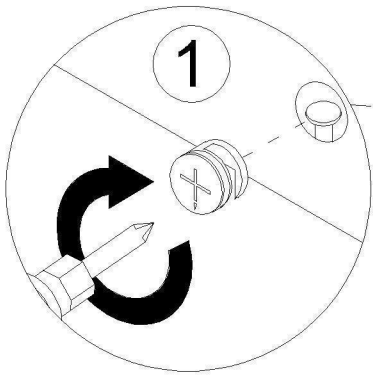
The threaded part has been installed into the hole.



# Step 31



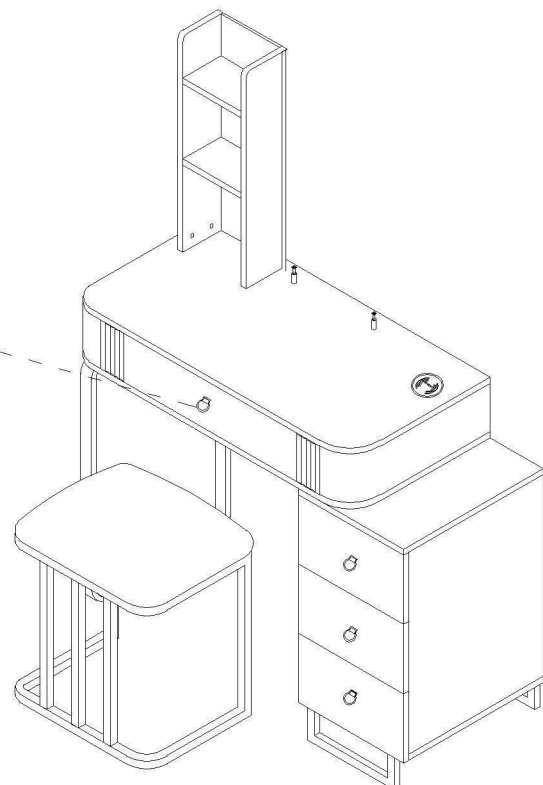
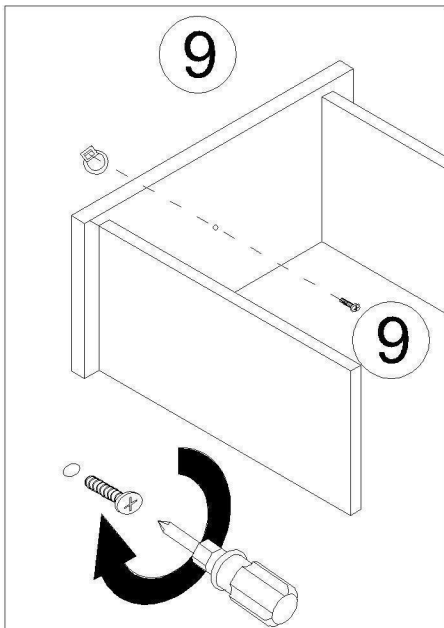
## Step 32



1		x 4
15		x 4

Attach attachment 15 to the outside after installing the screws

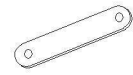
## Step 33



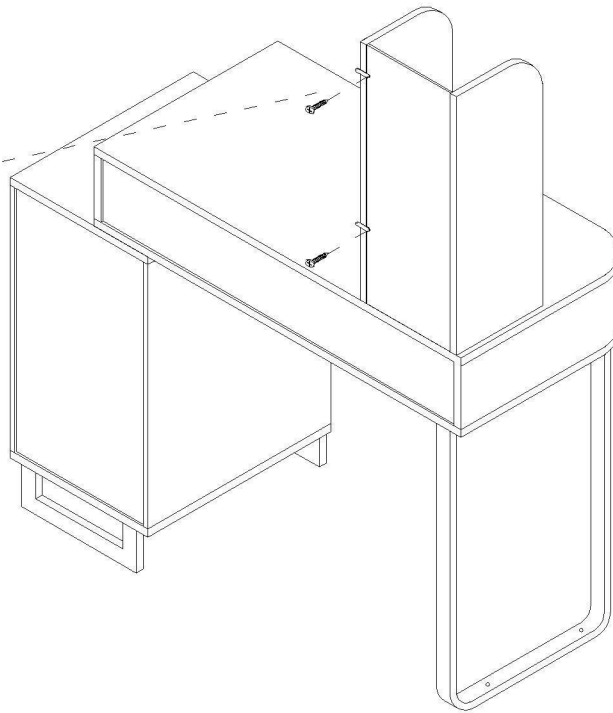
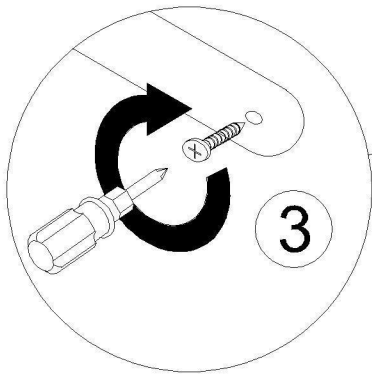
9		x 1
---	--	-----

# Step 34

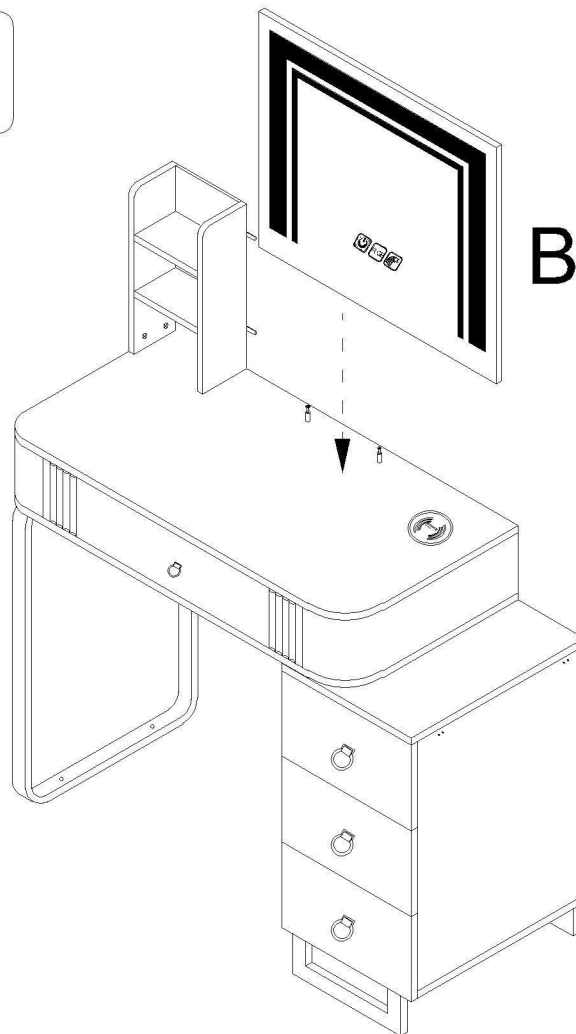
3



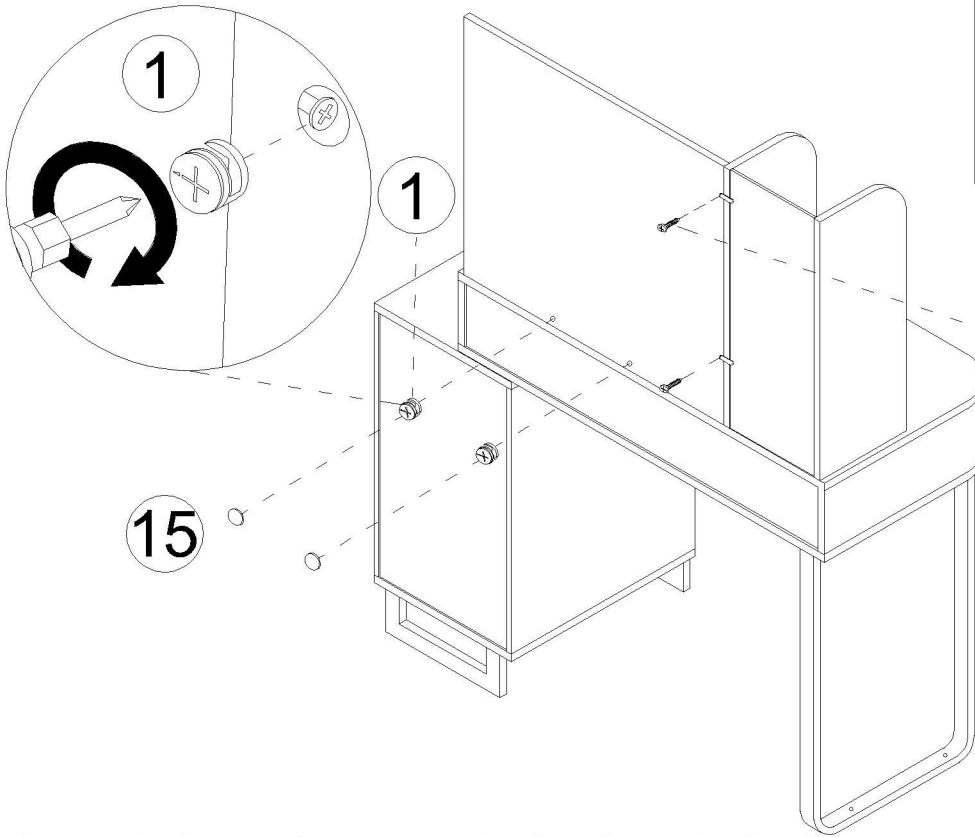
x 2



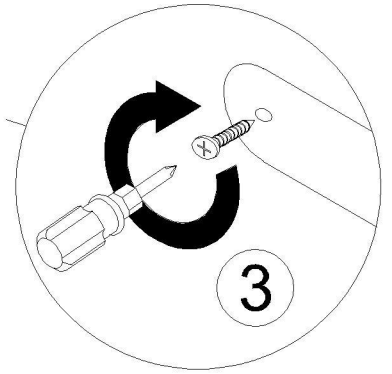
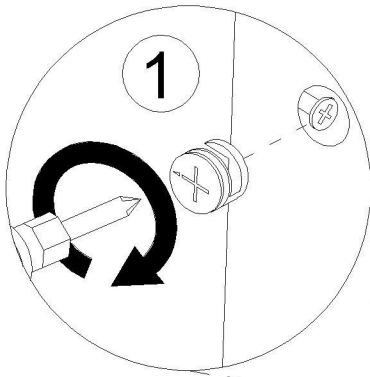
# Step 35



# Step 36

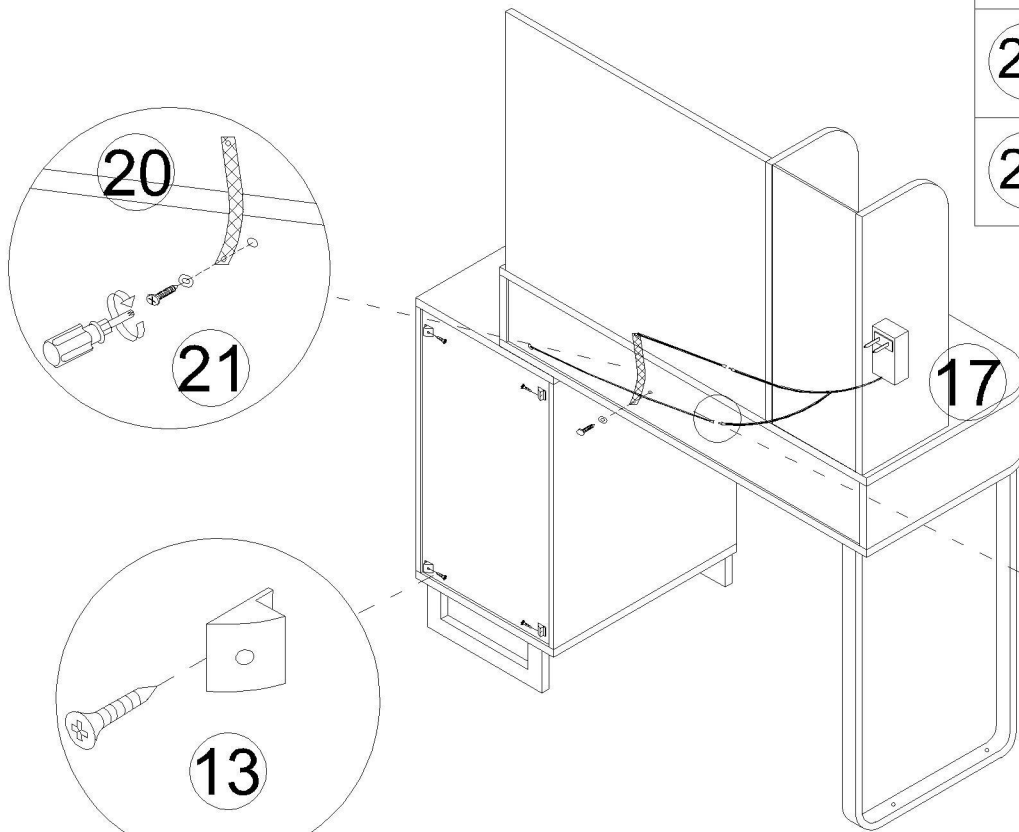


1		x 2
15		x 2
3		x 2

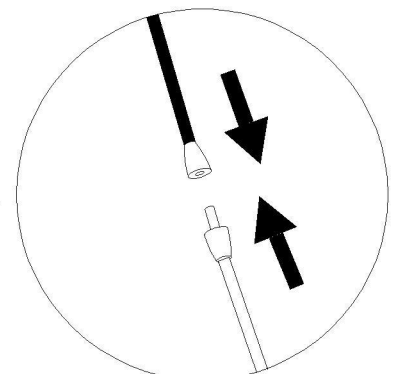
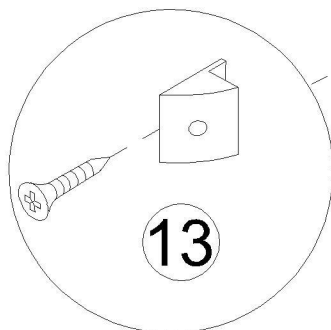
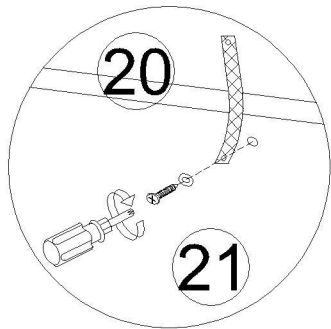


Attach attachment 15 to the outside after installing the screws

# Step 37

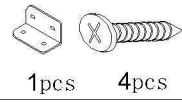


17		x 1
13		x 4
20		x 1
21		x 1



# Step 38

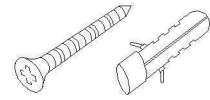
12



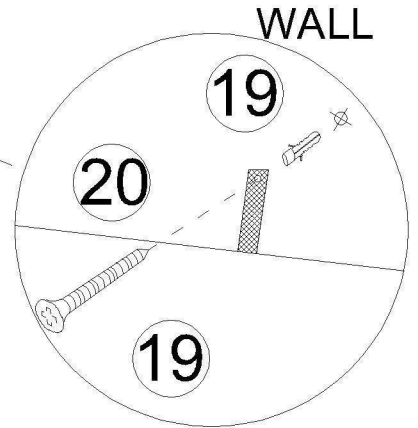
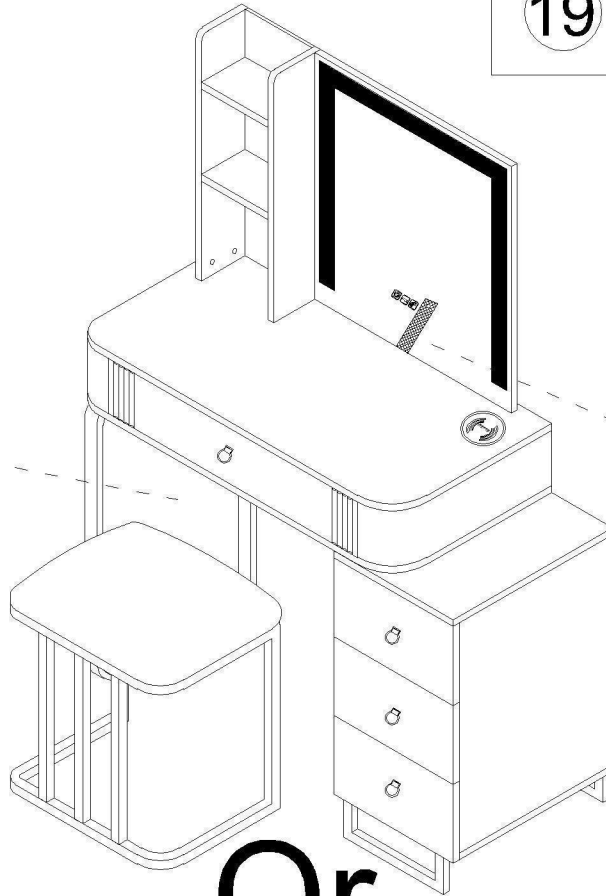
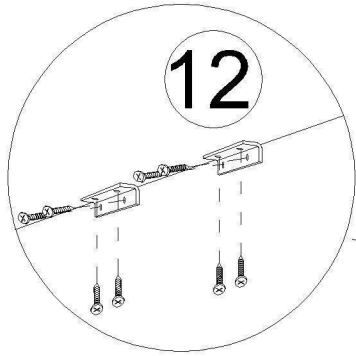
2 Pcs

1pcs 4pcs

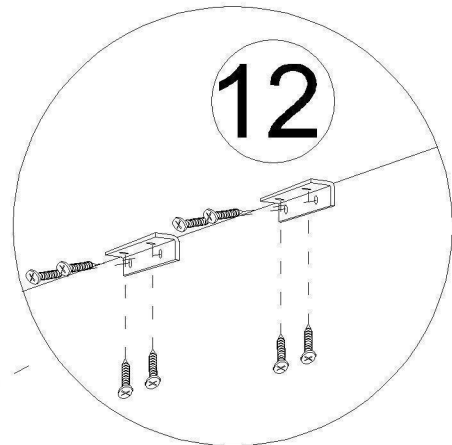
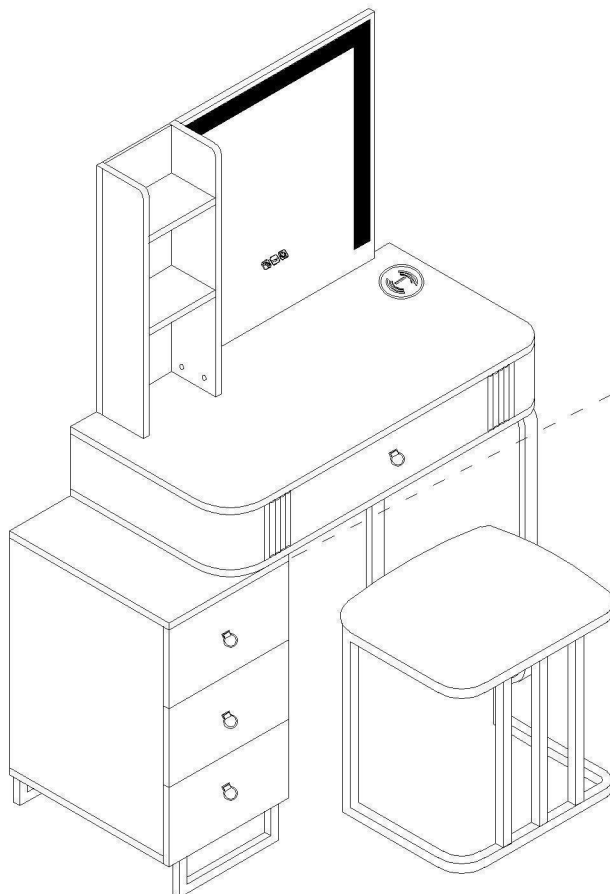
19



x 1



# Or



# 15W CHARGING STATION

## parameters and instructions:



**Product model:** 15W wireless charger

**Wireless charging output:** 15W/10W/7.5W/5W charging efficiency;

**Wired charging output:** 10W charging efficiency

**Wireless charging standard:** Compatible with **WPCv1.2.4** standard;

**Wireless charging receiver:** Support wireless-charging mobile phone and **Qi** standard receiver

**Support 5W, Apple 7.5W, Samsung 10W charging**

**Input voltage and current:** DC9-12V/2-3A

**Wired USB:** 5V 2A, 10W

**Working frequency:** 100kHz-205kHz

**Charging distance:** When using wireless charging, it needs to be placed on the front of the charger. It is recommended to contact the charger at zero distance.

**Safety protection:** Built-in smart chip and software that effectively prevent from over-current, short-circuit, over-temperature etc.

### NOTE:

1. This charging station should be kept away from high temperature ( $>45^{\circ}\text{C}$ ) and low temperature ( $<-20^{\circ}\text{C}$ ) environment and children.
2. Please use a soft, dry cloth to clean the surface. Chemicals, soaps or detergents are forbidden.

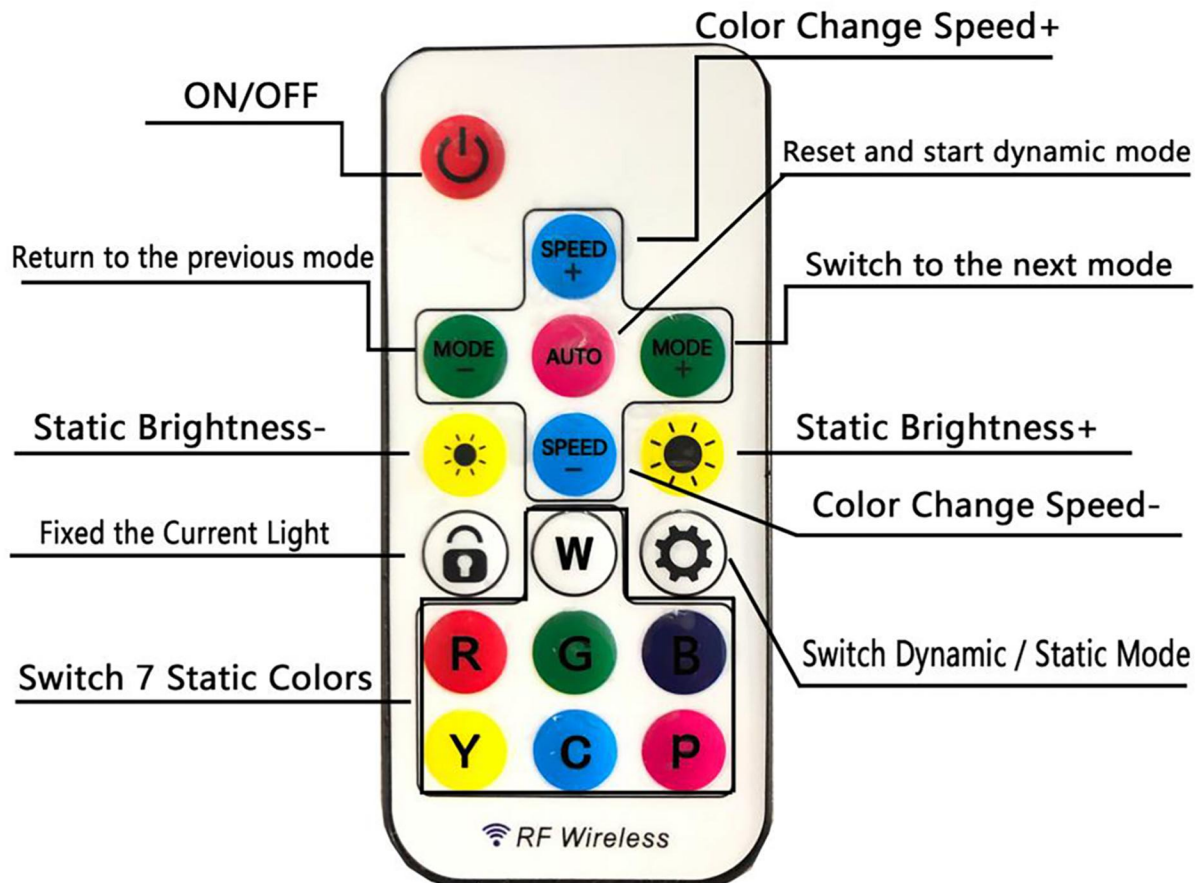
# Touch button description



1. ON/OFF

2. Static Light Mode  
(Long press to adjust brightness)

3. Dynamic Mode  
(Long press to adjust speed)



## LED Lights Controller-use instructions

Remote Battery: CR205 3V

How to use the controller?

1. After inserting the DC power adapter, you can use the remote control to control the lamp. Press the "on/Off" button to turn on the light and enter the static light mode.

Long press the "on/Off" button to turn off the light.

2. There are 7 RGB Dynamic Modes. You can press the "MODE+/-" key to choose dynamic colors that you preferred and press the "Speed+/-" key to adjust color change speed.

3. There are 7 static colors: White / Red / Green/ Blue / yellow / ice blue/ pink light. You can press the "Brightness +/-" key to adjust the brightness.

4. You can press the "lock" key to fix the color you like. When you press the "Switch Dynamic /Static Mode" key, the light will change between dynamic mode and static mode.