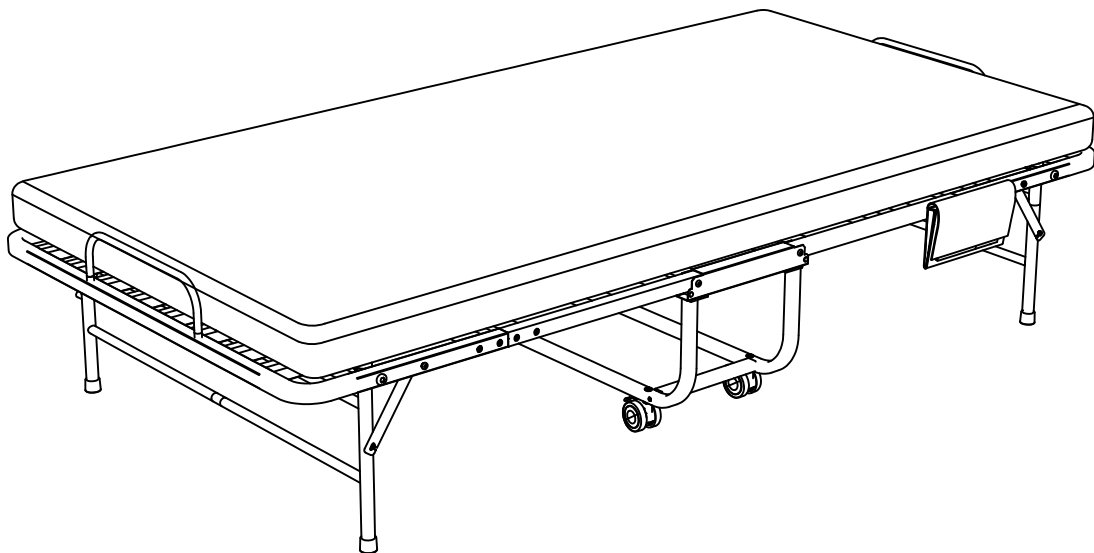
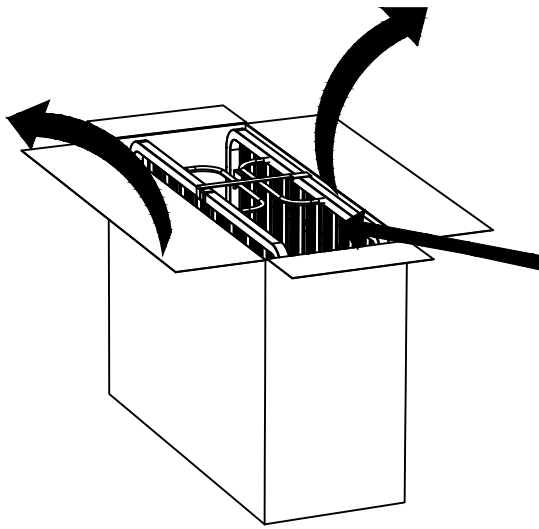


ASSEMBLY INSTRUCTION

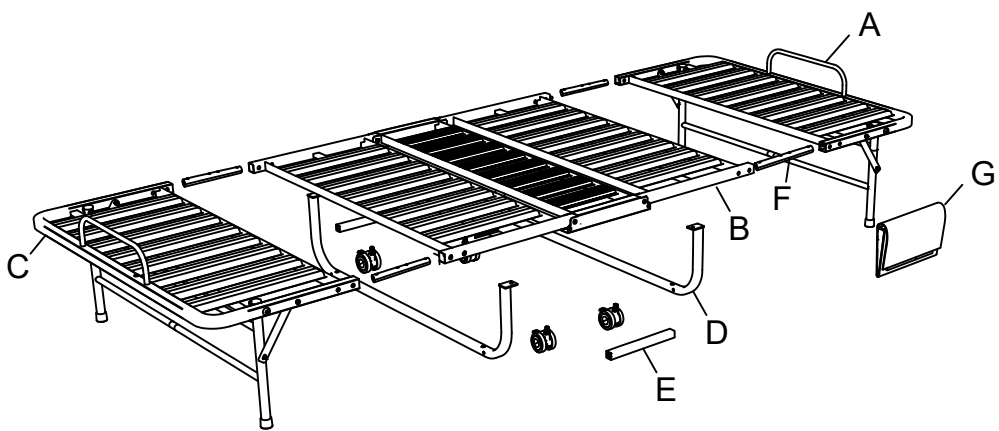
Folding Bed





TIP :
Two people are required to
install the folding bed .

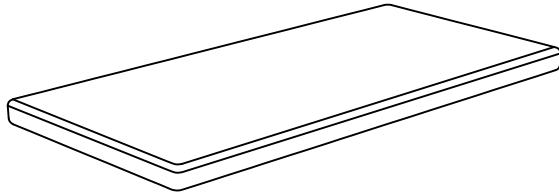
Please do NOT pull the strap .



Part List

Mattress

Open packing bag, leave the mattress to expand. Sometimes it only takes a few hours, but other times it can take up to 48 hours to fully expand.



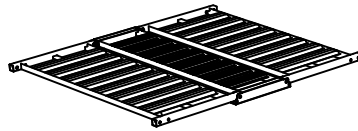
Mattress recovery schedule

Recovery time	Recovery ratio
1 hour	90%
3 hours	94%
24 hours	97%
48 hours	98%

A × 1



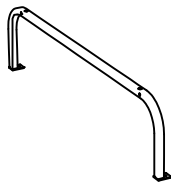
B × 1



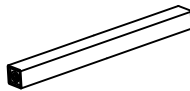
C × 1



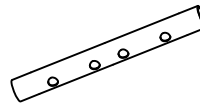
D × 2



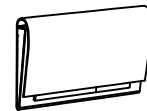
E × 2



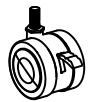
F × 4



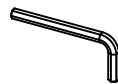
G × 1



① × 4

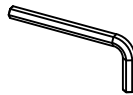


② × 1



4mm Allen Key

③ × 1



5mm Allen Key

④ × 4



Head diameter 15mm

⑤ × 4



M6x12

⑥ × 22

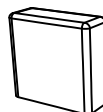


M6x35

⑦ × 18

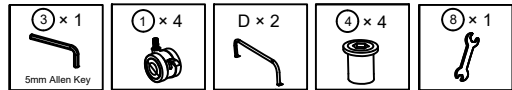
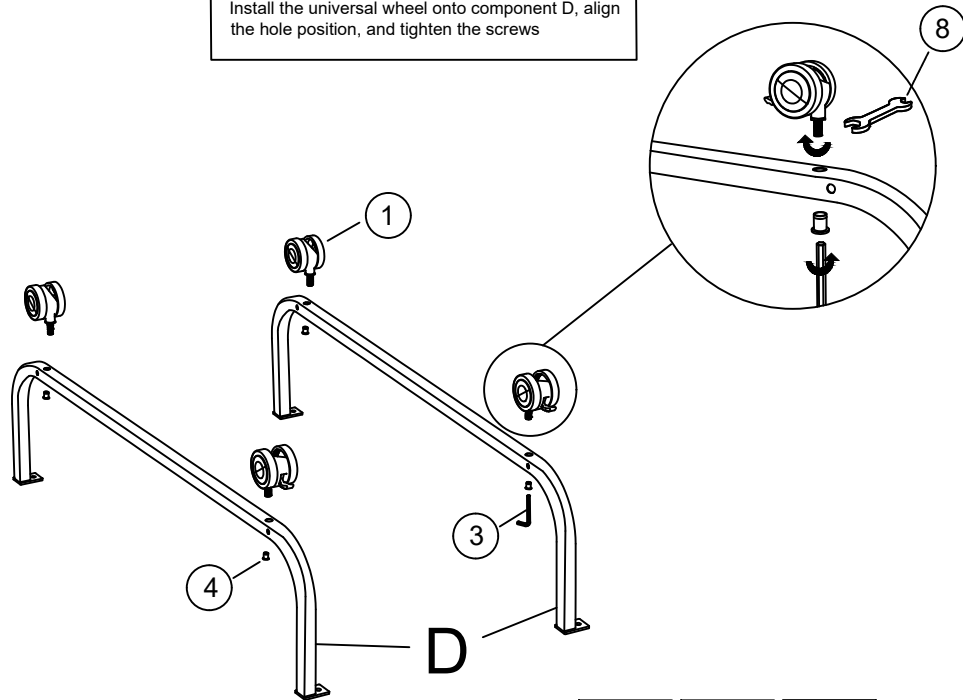


⑧ × 1



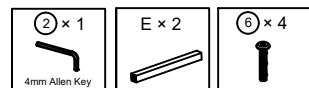
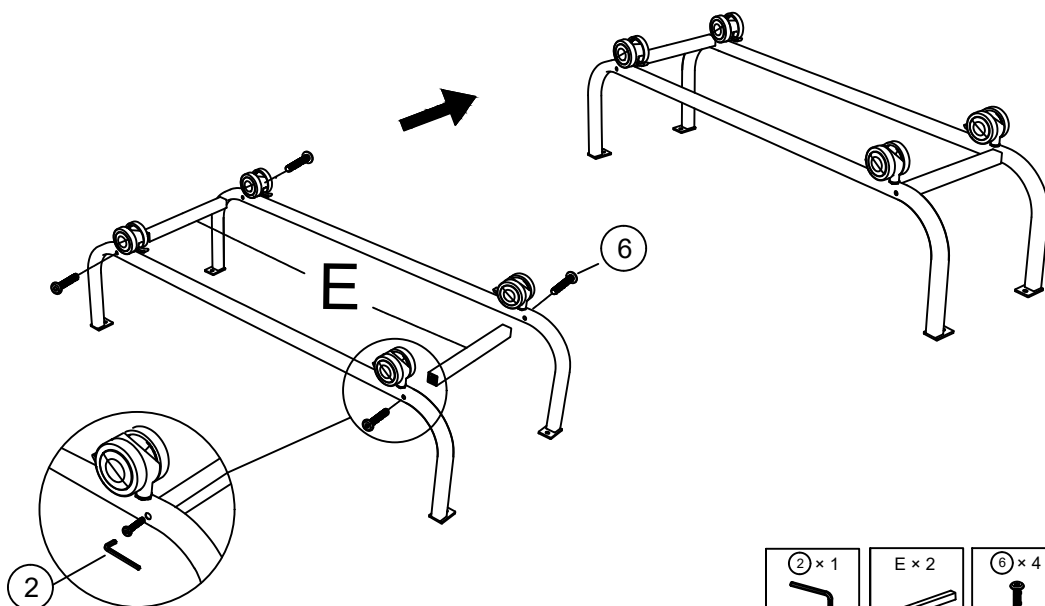
Step 1

Install the universal wheel onto component D, align the hole position, and tighten the screws



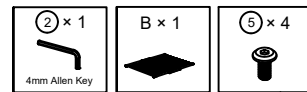
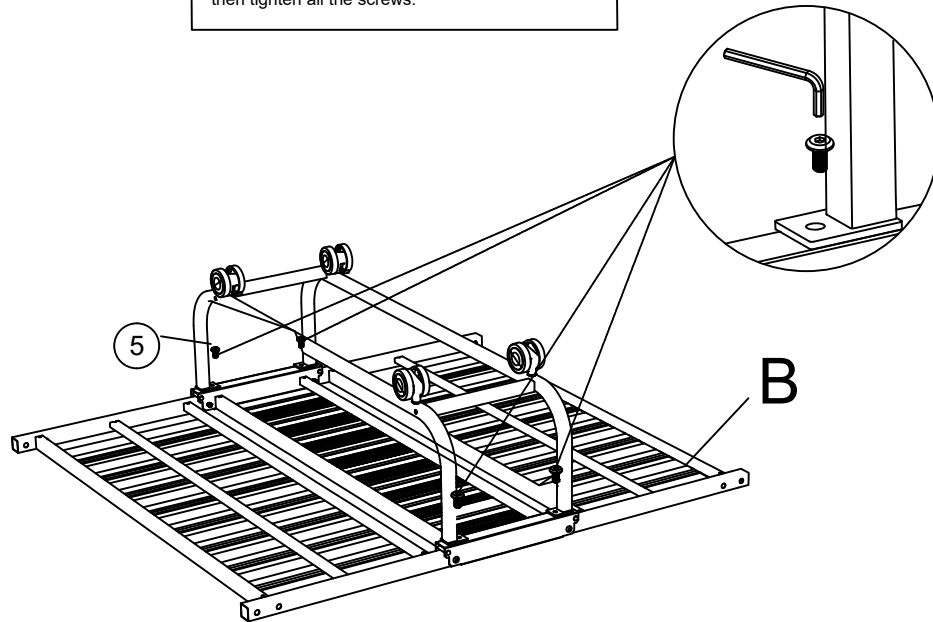
Step 2

Align the screw on one side with the hole and tighten it. After the installation is complete, proceed to install the other side



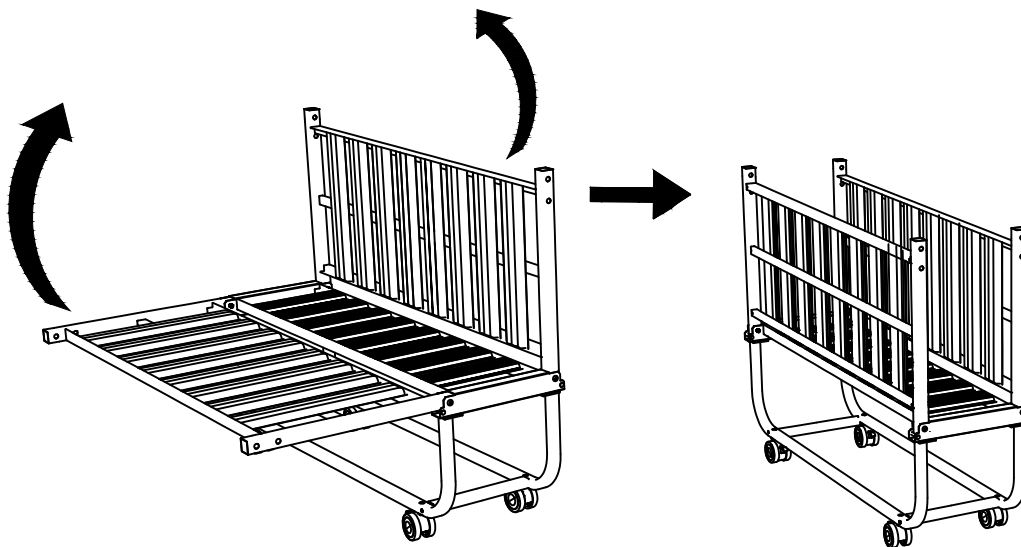
Step 3

After aligning all of the holes on the frame(Step 3), then tighten all the screws.



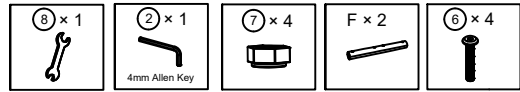
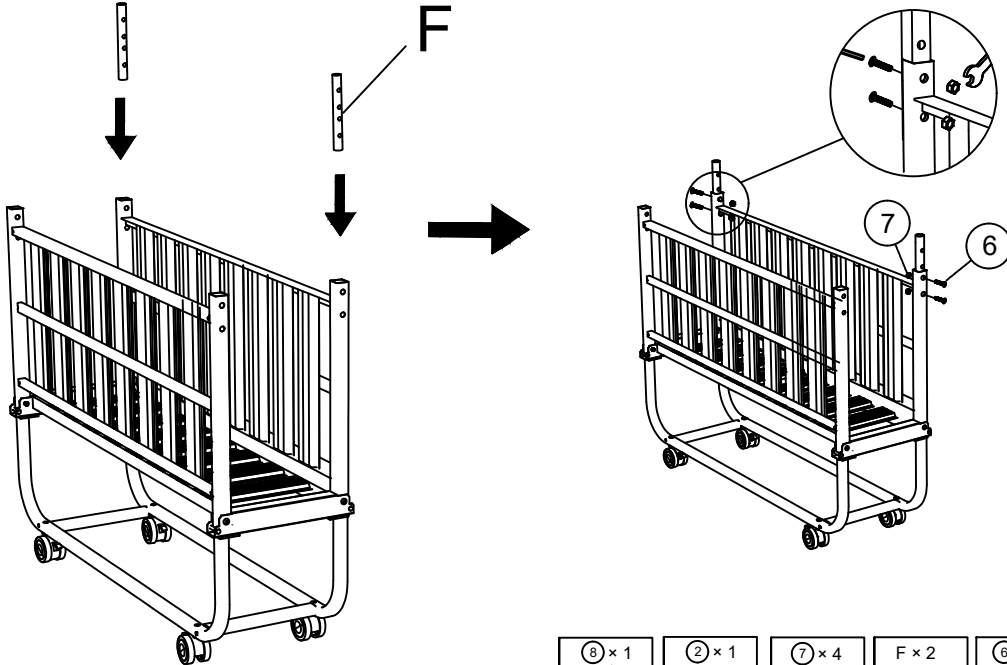
Step 4

Rotate and flip up both sides of the installed part



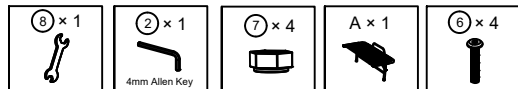
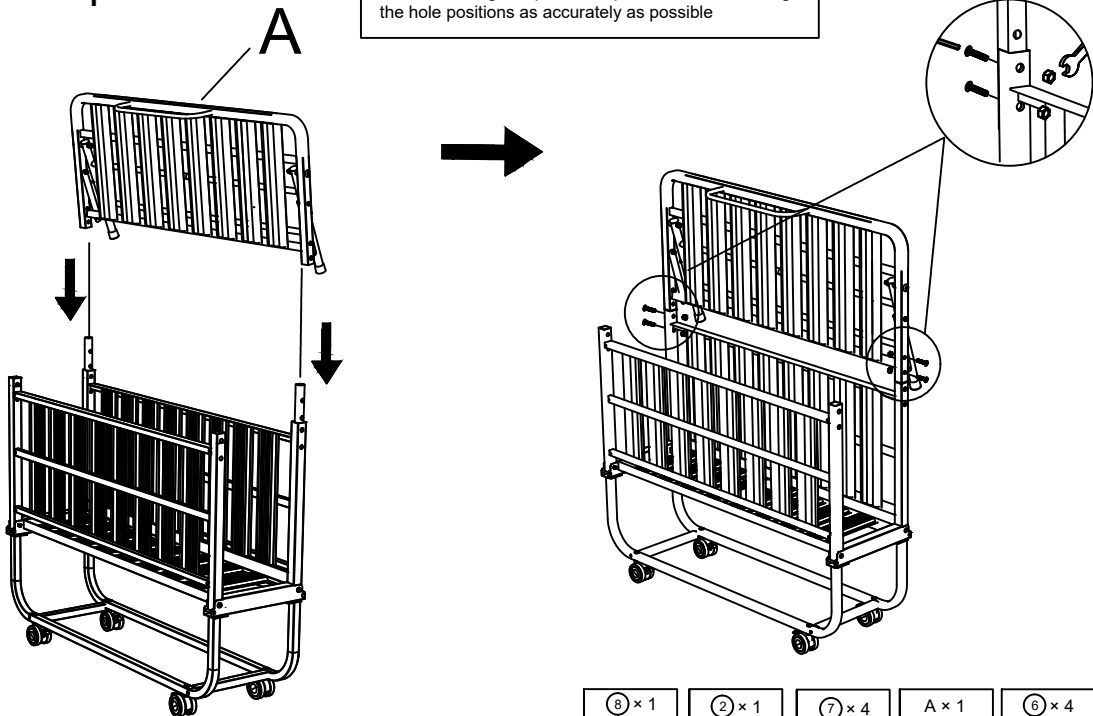
Step 5

Insert part F into part B. Align the hole positions and then install screws and rivets on both ends



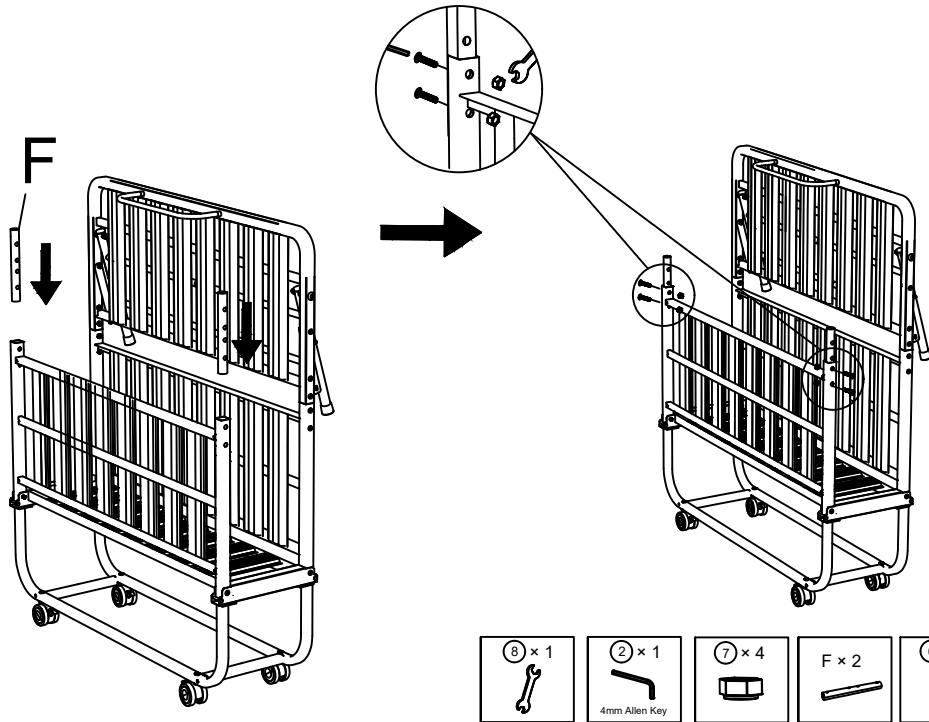
Step 6

When installing component A, please insert it and align the hole positions as accurately as possible



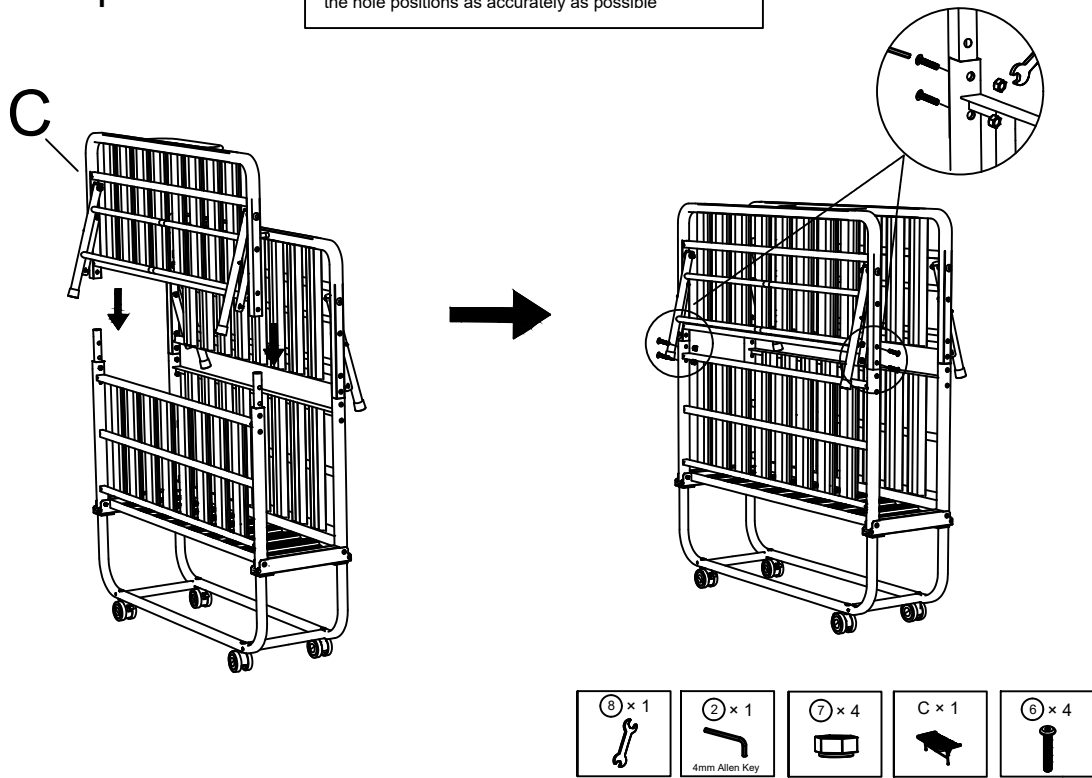
Step 7

Insert part F into part B. Align the hole positions and then install screws and rivets on both ends

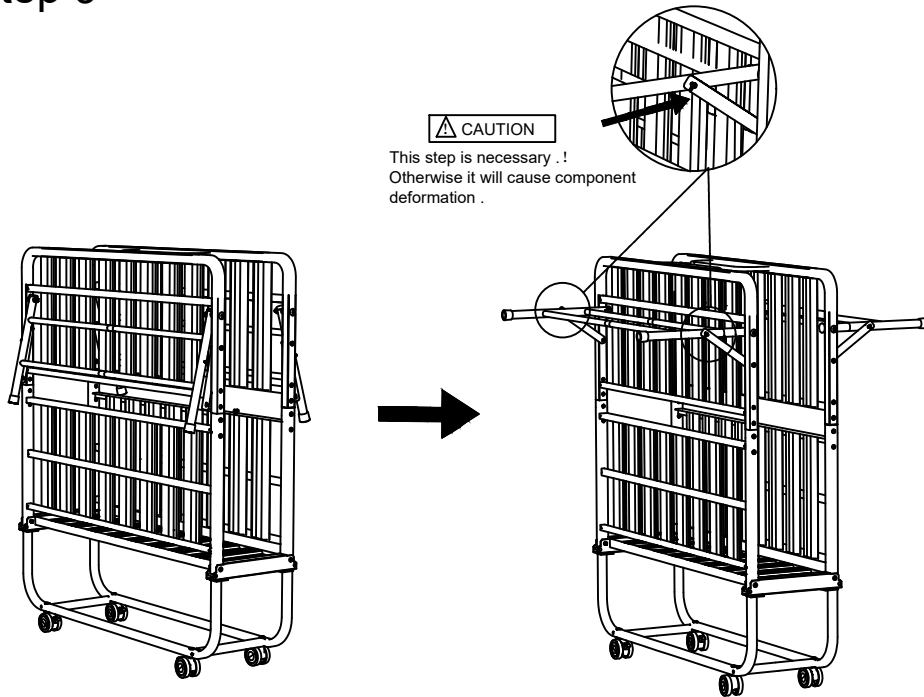


Step 8

When installing component C, please insert it and align the hole positions as accurately as possible

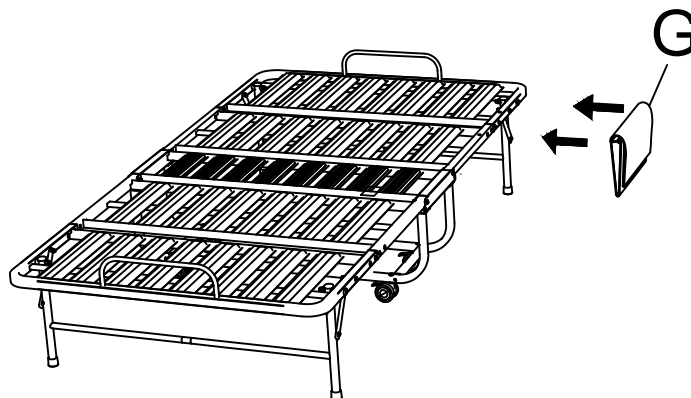


Step 9



Step 10

Holes for installing storage bags are reserved on both sides of the bed, and you can choose to install a storage bag on one side

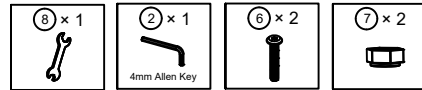
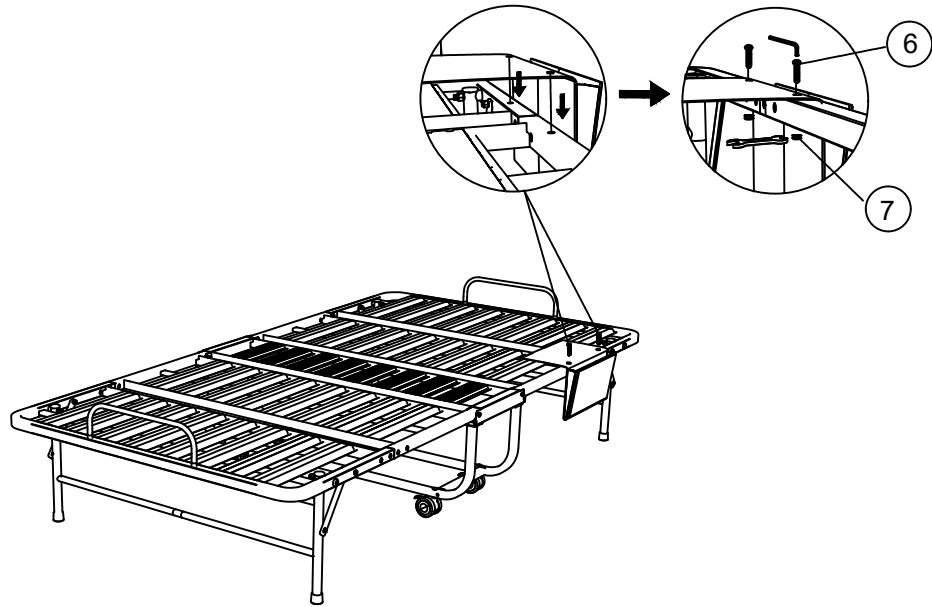


G × 1



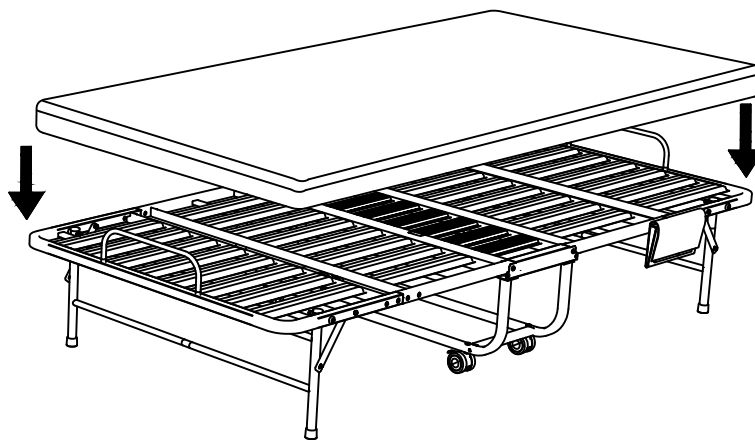
Step 11

Align the hole position of the storage bag with the reserved hole position, and then tighten the screws to complete the installation



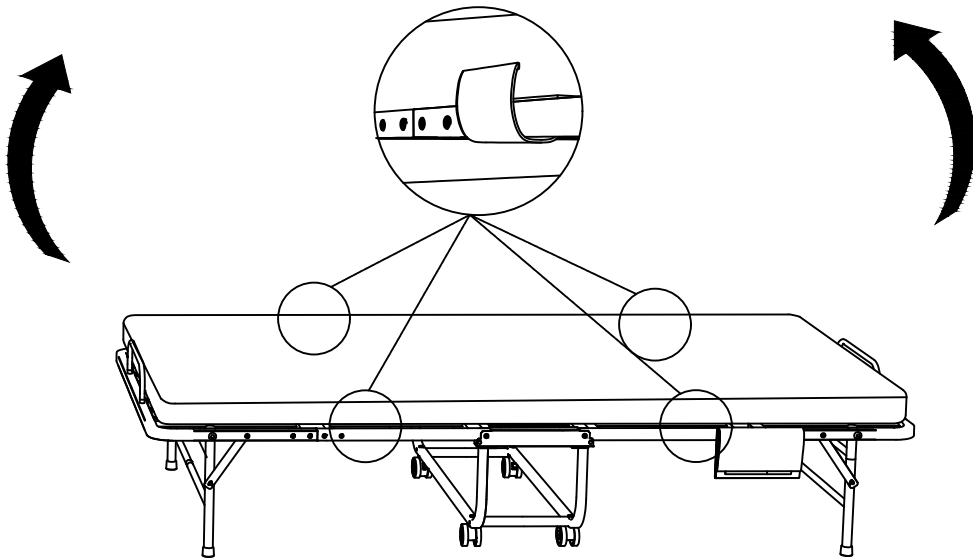
Step 12

lace the mattress on the Palready unfolded bed



Step 13

The two sides, head, and tail of the mattress are secured with magic tape.



Step 14

When moving the folding bed , please do NOT pull the strap .

