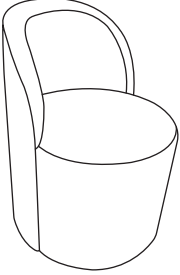
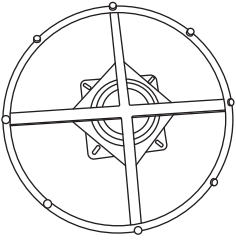
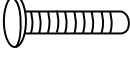

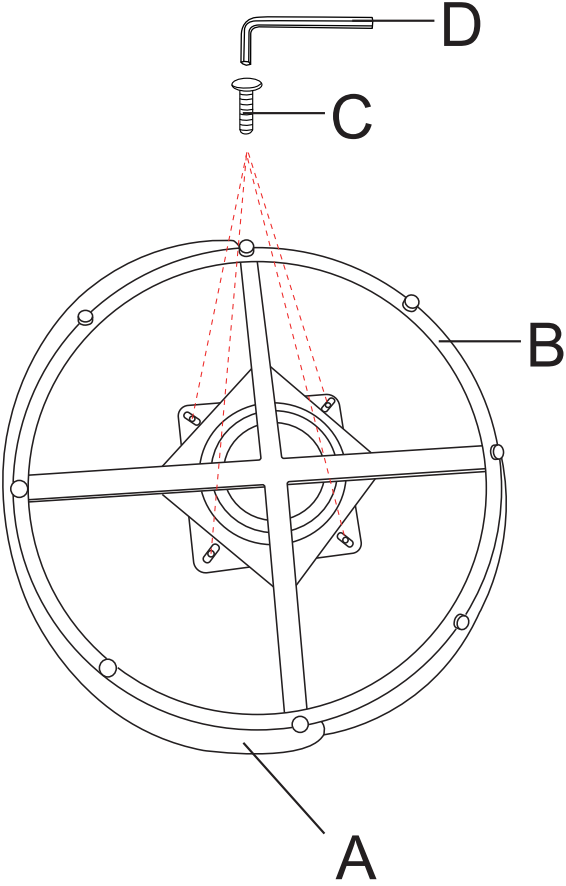


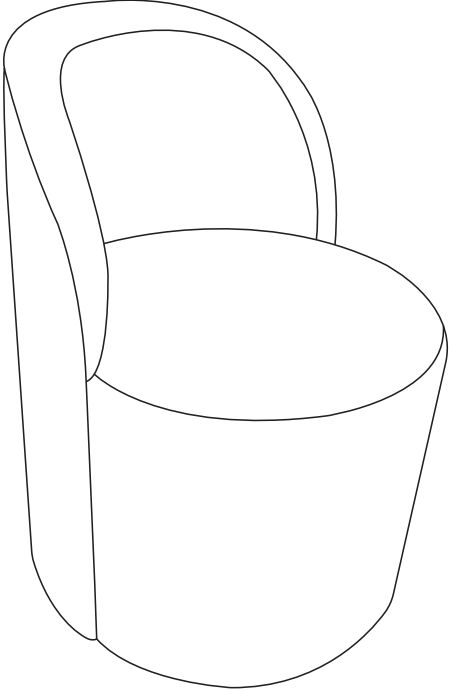
ASSEMBLY INSTRUCTION

<p>A x 1</p> 	<p>B x 1</p> 	<p>C x 4</p>  <p>M6x20mm</p>	<p>D x 1</p> 
--	--	--	--

①




②



Tips: first tighten the screws 70% and finally tighten them all.

⚠ WARNING



Rotatable tray

