

INSTALLATION INSTRUCTION

CAUTION: To prevent electrical shock, ensure electricity has been turned off at the circuit breaker before beginning.

- Read all instructions before installing.
- System is intended for installation by a licensed electrician in accordance with the National Electrical Code (NEC) and local regulations.
- When handling the fixture, do not apply pressure to the LEDs. Hold the fixture by the base only.
- Retain installation instructions for future maintenance reference.

WARIG All parts must be used as indicated in these instructions. This product is designed for use only with the supplied parts and/or accessories designated for use. Substitution of parts or accessories not designated for use with this product could result in personal injury or property damage, and will void the warranty. Contact an authorized dealer or the manufacturer if any parts are damaged or missing.

MAI TE A CE OTE Coastal conditions may cause mineral and residue build-up on the fixture. We recommend that customers in coastal areas clean all external surfaces of the fixture once every two weeks with a wet cloth.

MISE E GARDE Pour éviter tout choc électrique, assurez-vous que le disjoncteur soit mis hors tension avant de commencer.

- Lisez toutes les instructions avant l'installation.
- Le système doit être installé par un électricien licencié conformément au code national de l'électricité (NEC), et également aux règlements locaux.
- Lors de la manipulation du luminaire, n'appuyez pas sur les LED. Tenez-le uniquement par la base.

ATTE TIO Toutes les pièces doivent être utilisées comme indiqué dans ces instructions. Ce produit est conçu pour être utilisé seulement avec les pièces et/ou accessoires fournis pour être utilisés avec les produits. Remplacer des pièces ou accessoires non conçus pour ce produit pourrait causer des dommages corporels ou matériels et pourrait également causer l'annulation de la garantie. Veuillez contacter un revendeur autorisé ou le fabricant si des pièces manquent ou sont endommagées.

OTE D'E TRETIE Les conditions côtières peut causer une accumulation de minéraux et de résidu sur le luminaire. Nous recommandons aux clients qui résident dans les zones côtières de nettoyer toutes les surfaces externes du luminaire une fois toutes les deux semaines avec un chiffon humide.

HARDWARE

A



Wire Connector
Qty: 3

B



Junction Box Screw
Qty: 2pcs + 1 Extra

C



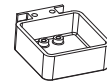
Mounting Screw
Qty: 1 Extra

D



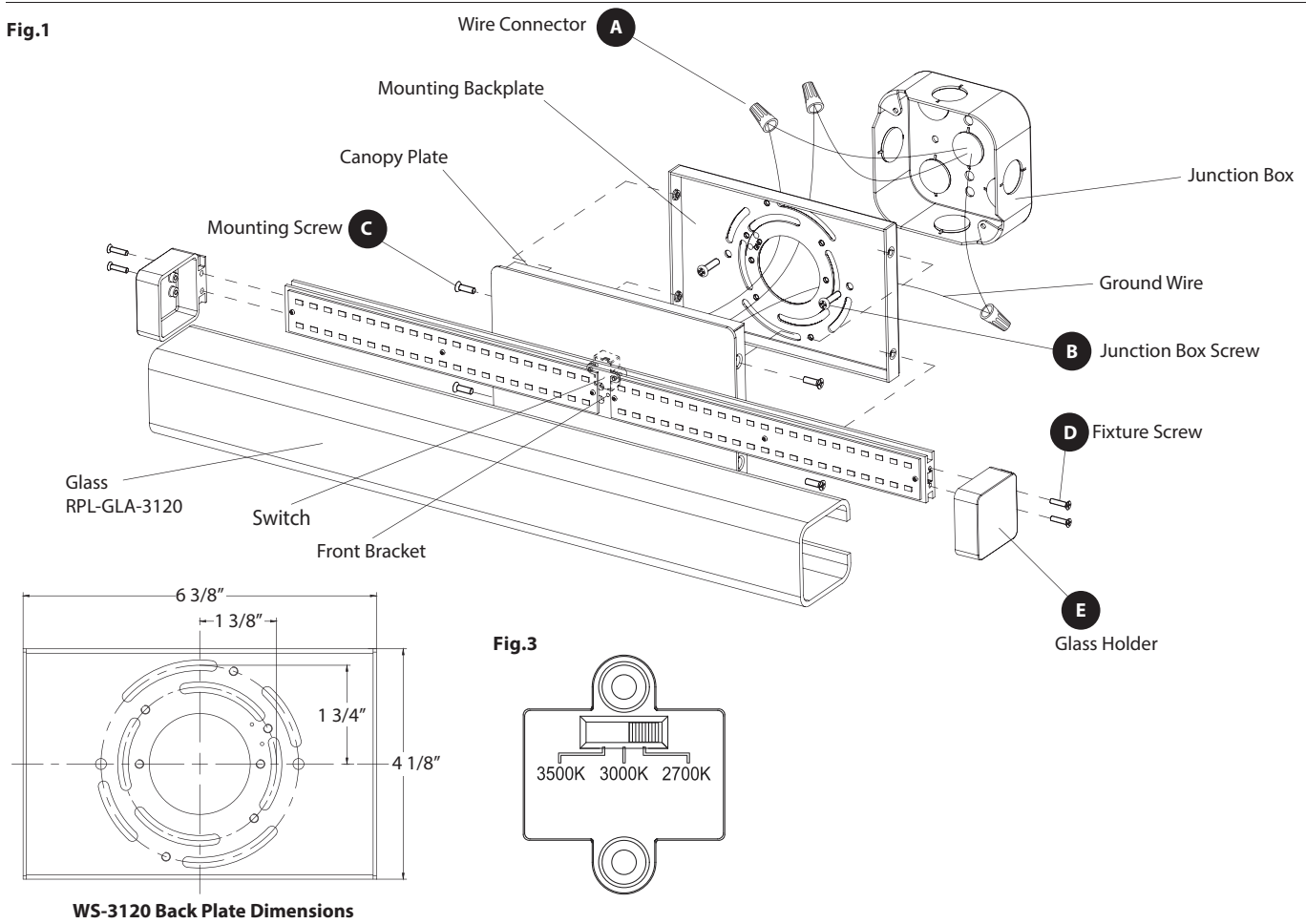
Fixture Screw
Qty: 4 pcs + 1 Extra

E



Glass Holder
Qty: 2 pcs

INSTALLATION INSTRUCTION



PREPARATION

1. Shut off the power at the circuit breaker and remove existing fixture, including the crossbar.
2. Carefully unpack your new fixture and lay out all the parts on a clear area. Be careful not to lose any small parts necessary for installation.

MOUNTING THE FIXTURE (Fig. 1)

3. Remove the mounting screw (C) from the fixture.
4. Secure the mounting back plate to the junction box using junction box screws (B). The side of the mounting back plate marked "GND" must face out.

CONNECTING THE WIRES (Fig. 2)

5. The lamp can switch between three color temperatures (2700K-3000K-3500K), which can be adjusted to your preference with the switch in the canopy (Fig.3).
 Note: (i) color temperature adjustment is only applicable to models WS-3120.
 (ii) Fixture must be powered off to adjust the CCT setting, after each CCT adjustment cycle power on, off then on to show new CCT setting.
6. Connect the fixture's wires to junction box wires as shown in (Fig. 2), making sure that all wire connectors (A) are secured. If your outlet box has a green or bare copper ground wire, connect the fixture's ground wire to it. Otherwise, connect the fixture's ground wire directly to the back plate using the screw provided.
 After wires are connected, tuck them carefully inside the junction box.

Fig.2 Wiring

| | |
|--|---|
| Fixture Wires Black or Smooth | House Wires Black (Hot) |
| Fixture Wires White or Ribbed | House Wires White (Neutral) |
| Fixture Wires Bare wire (Ground) | House Wires Green or Bare Copper (Ground) |

COMPLETING THE INSTALLATION (Fig. 1)

7. Place the canopy plate over the mounting back plate, secure it with the mounting screw (C).
8. Slide the glass onto the front bracket. secure it with glass holder (E) using fixture screw (D).

INSTALLATION INSTRUCTION

CAUTION: To prevent electrical shock, ensure electricity has been turned off at the circuit breaker before beginning.

- Read all instructions before installing.
- System is intended for installation by a licensed electrician in accordance with the National Electrical Code (NEC) and local regulations.
- When handling the fixture, do not apply pressure to the LEDs. Hold the fixture by the base only.
- Retain installation instructions for future maintenance reference.

WARIG All parts must be used as indicated in these instructions. This product is designed for use only with the supplied parts and/or accessories designated for use. Substitution of parts or accessories not designated for use with this product by could result in personal injury or property damage, and will void the warranty. Contact an authorized dealer or the manufacturer if any parts are damaged or missing.

MAI TE A CE OTE Coastal conditions may cause mineral and residue build-up on the fixture. We recommend that customers in coastal areas clean all external surfaces of the fixture once every two weeks with a wet cloth.

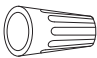



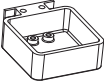
MISE E GARDE Pour éviter tout choc électrique, assurez-vous que le disjoncteur soit mis hors tension avant de commencer.

- Lisez toutes les instructions avant l'installation.
- Le système doit être installé par un électricien licencié conformément au code national de l'électricité (NEC), et également aux règlements locaux.
- Lors de la manipulation du luminaire, n'appuyez pas sur les LED. Tenez-le uniquement par la base.

ATTE TIO Toutes les pièces doivent être utilisées comme indiqué dans ces instructions. Ce produit est conçu pour être utilisé seulement avec les pièces et/ou accessoires fournis pour être utilisés avec les produits. Remplacer des pièces ou accessoires non conçus pour ce produit pourrait causer des dommages corporels ou matériels et pourrait également causer l'annulation de la garantie. Veuillez contacter un revendeur autorisé ou le fabricant si des pièces manquent ou sont endommagées.

OTE D'E TRETIE Les conditions côtières peut causer une accumulation de minéraux et de résidus sur le luminaire. Nous recommandons aux clients qui résident dans les zones côtières de nettoyer toutes les surfaces externes du luminaire une fois toutes les deux semaines avec un chiffon humide.

HARDWARE

| | | | | |
|---|---|---|---|---|
|  |  |  |  |  |
| A | B | C | D | E |
| Wire Connector Qty: 3 | Junction Box Screw Qty: 2pcs + 1 Extra | Mounting Screw Qty: 1 Extra | Fixture Screw Qty: 4 pcs + 1 Extra | Glass Holder Qty: 2 pcs |

INSTALLATION INSTRUCTION

Fig.1

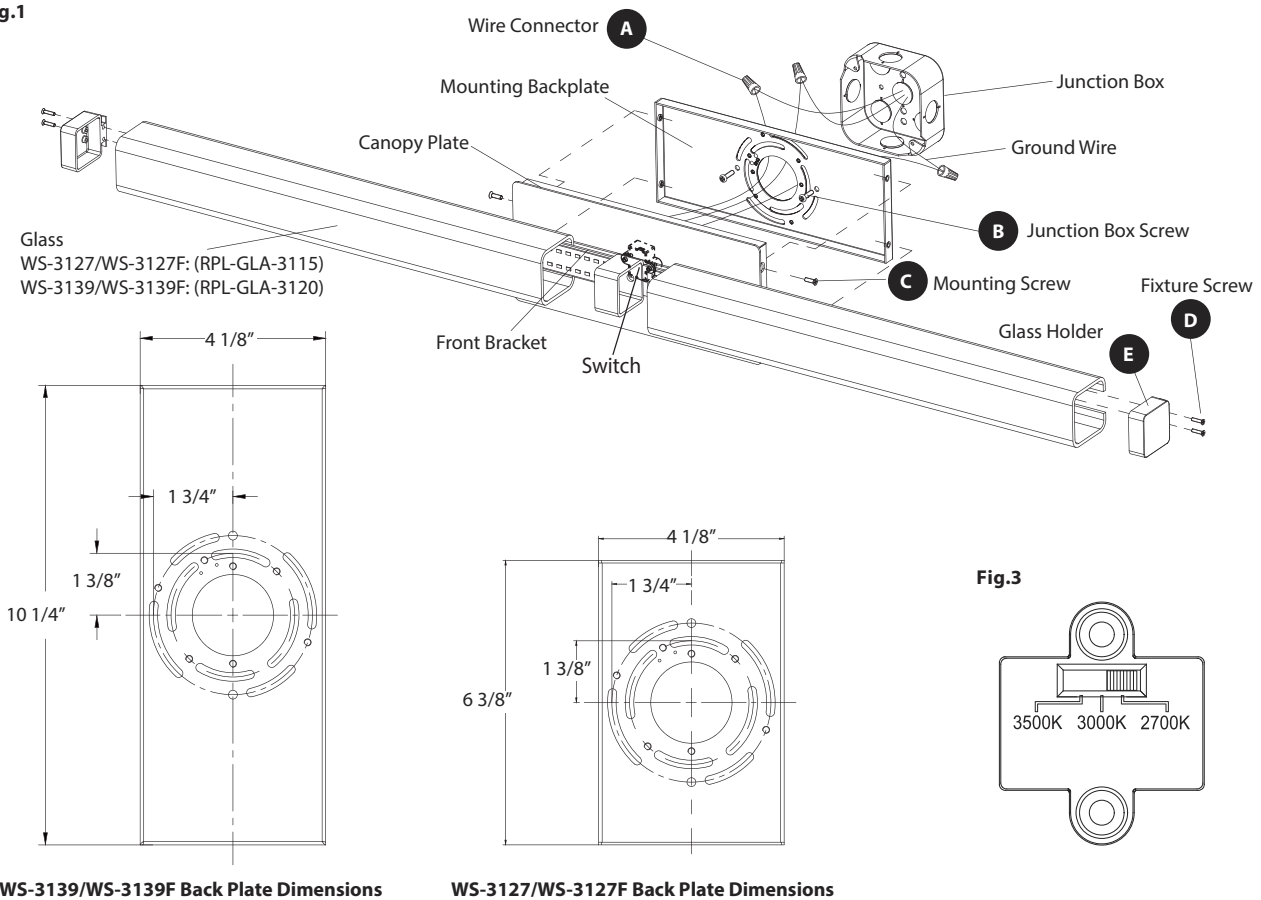
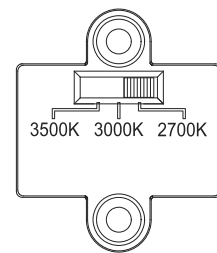


Fig.3



WS-3139/WS-3139F Back Plate Dimensions

WS-3127/WS-3127F Back Plate Dimensions

PREPARATION

1. Shut off the power at the circuit breaker and remove existing fixture, including the crossbar.
2. Carefully unpack your new fixture and lay out all the parts on a clear area. Be careful not to lose any small parts necessary for installation.

MOUNTING THE FIXTURE (FIG. 1)

3. Remove the mounting screw (C) from the fixture.
4. Secure the mounting back plate to the junction box using standard junction box screws that comes with the junction box.
Note: (i) using any other non-original-manufacturer provided junction box screw may result in safety issue;
(ii) The side of the mounting plate marked "GND" must face out.
5. The lamp can switch between three color temperatures (2700K-3000K-3500K), which can be adjusted to your preference with the switch in the canopy (Fig.3).Note: (i) color temperature adjustment is only applicable to models WS-3127 and WS-3139.(ii) Fixture must be powered off to adjust the CCT setting, after each CCT adjustment cycle power on, off then on to show new CCT setting.

CONNECTING THE WIRES (FIG.2)

6. Connect the fixture's wires to junction box wires as shown in (Fig. 2), making sure that all wire connectors (A) are secured. If your outlet box has a green or bare copper ground wire, connect the fixture's ground wire to it. Otherwise, connect the fixture's ground wire directly to the back plate using the screw provided.
After wires are connected, tuck them carefully inside the junction box.

Fig.2 Wiring



| Fixture Wires | House Wires |
|--------------------|-------------------------------|
| Black or Smooth | Black (Hot) |
| White or Ribbed | White (Neutral) |
| Bare wire (Ground) | Green or Bare Copper (Ground) |

COMPLETING THE INSTALLATION (FIG. 1)

7. Place the canopy plate over the mounting back plate,secure it with the mounting screw(C).
8. Slide the glass onto the front bracket. secure it with glass holder (E) using fixture screw (D).