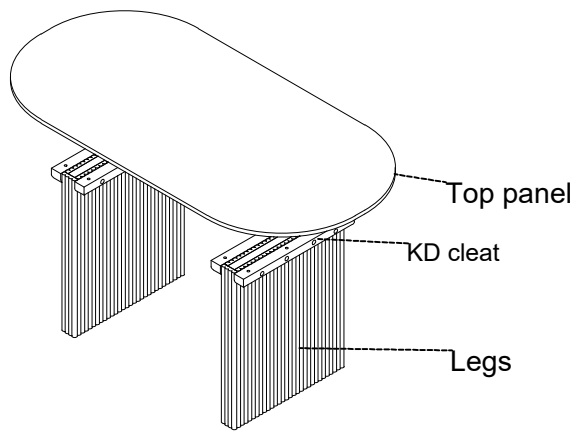
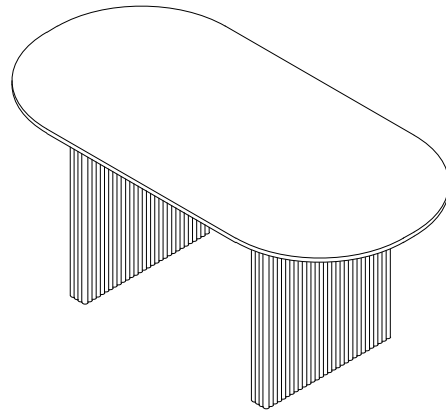
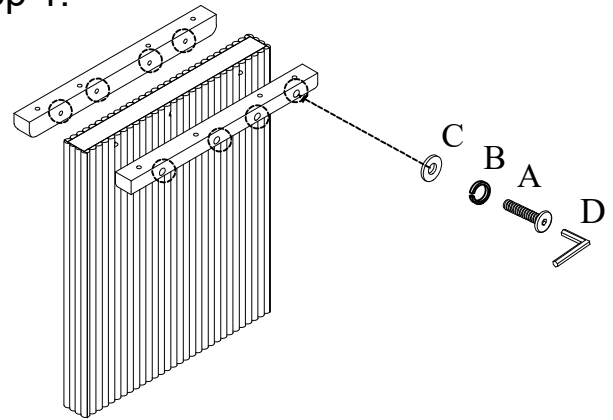


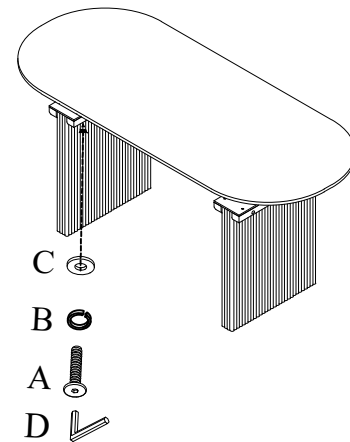
# ASSEMBLY INSTRUCTIONS







Step 1:

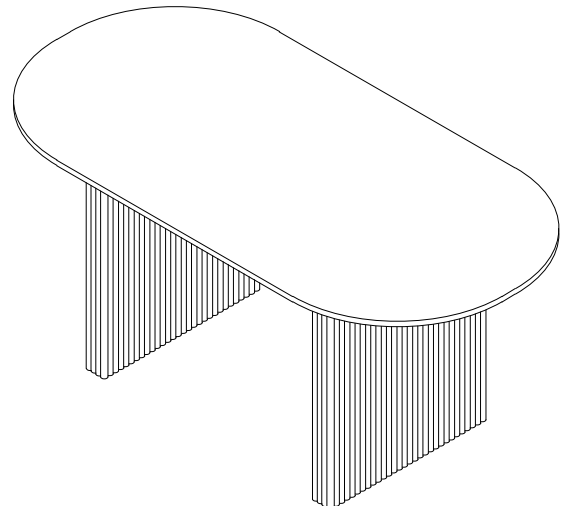


Step 2:



## HARDWARE LIST

A		Bolt Ø5/16"*2 1/2"	32pcs
B		Spring Washer Ø5/16"	32pcs
C		Flat Washer Ø5/16"	32pcs
D		Allen Wrench	1pc



OK