


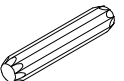
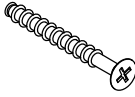



K 6*40

 2PCS


A

 2PCS


B

 2PCS


C 8*40

 2PCS


D 7*50

 10PCS


E 6*30

 6PCS

F 96mm

 2PCS

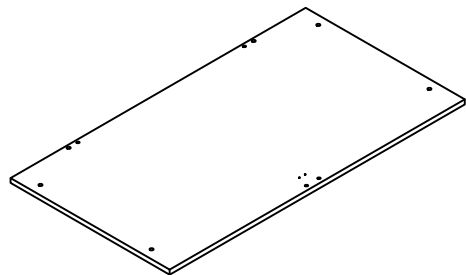
G 4*24

 4PCS

H

 1PCS

I 3.5*14

 6PCS

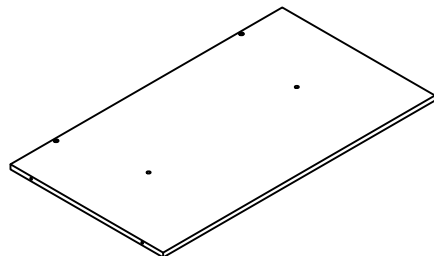
J

 2PCS

1



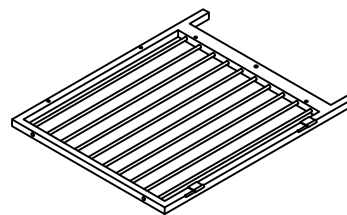
1020*550 1PS

2



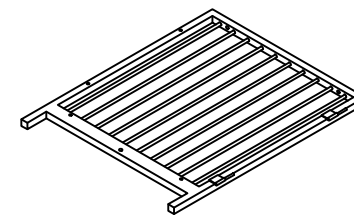
940*528 1PS

3



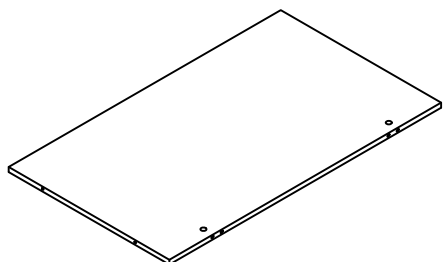
660*528 1PS

4



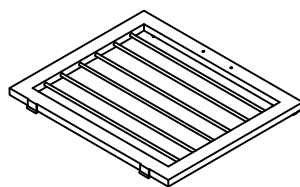
660*528 1PS

5



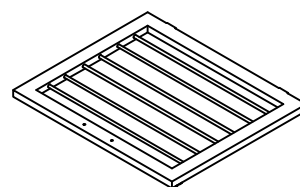
940*555 1PS

6



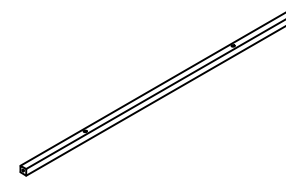
549*465 1PS

7



549*465 1PS

8



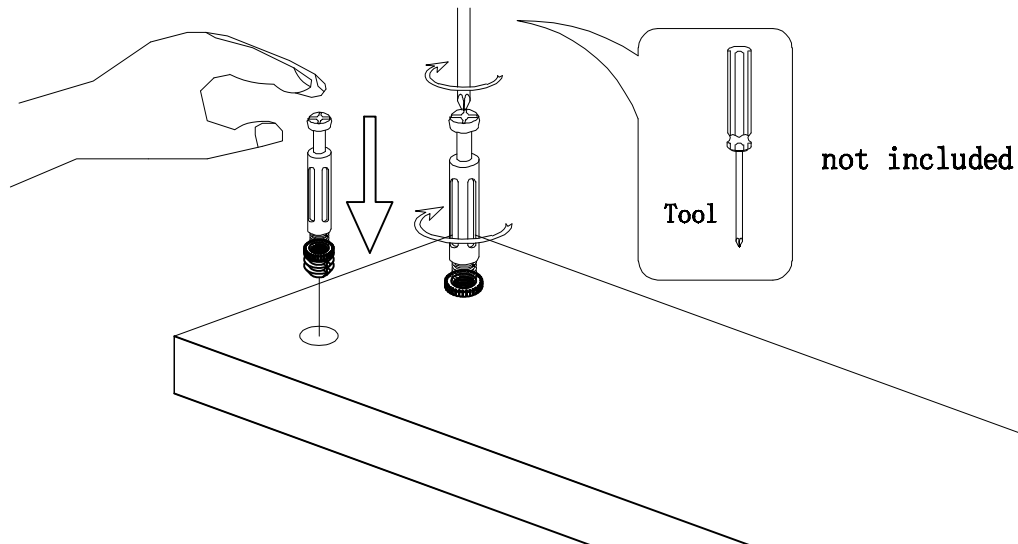
940*20 1PCS



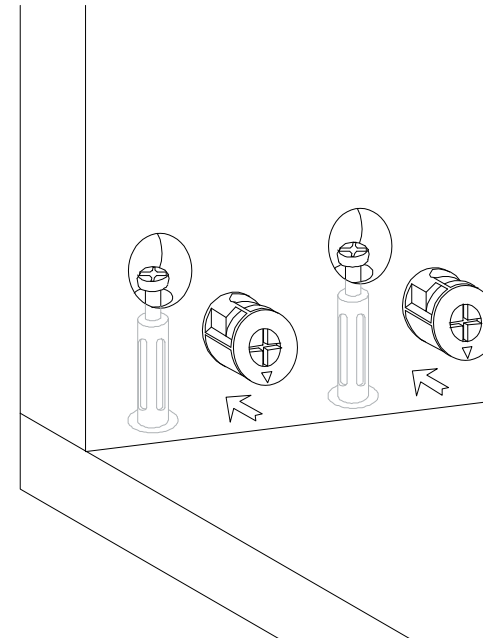
Hardware installation demonstration

NOTE: Please make sure "A" hardware tightened and can't be pulled out!

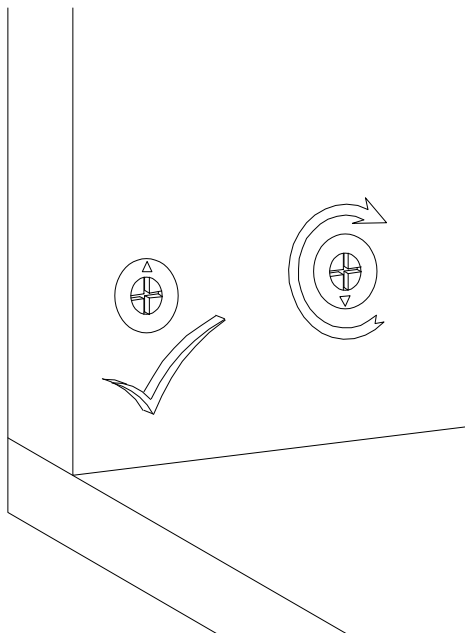
I



II



III

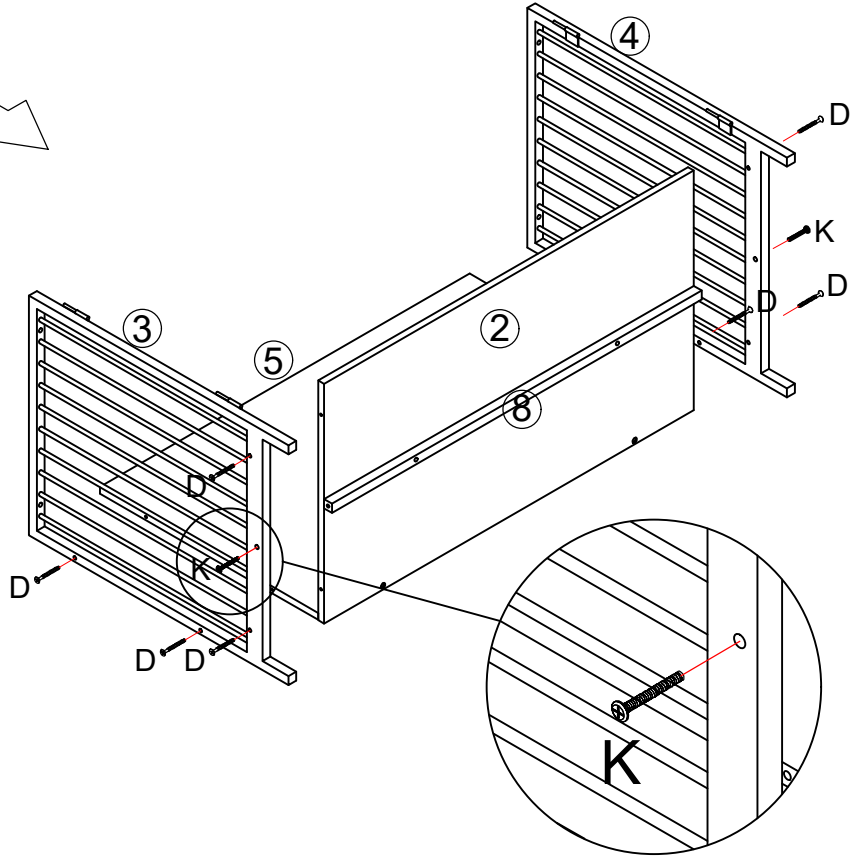
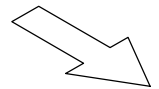
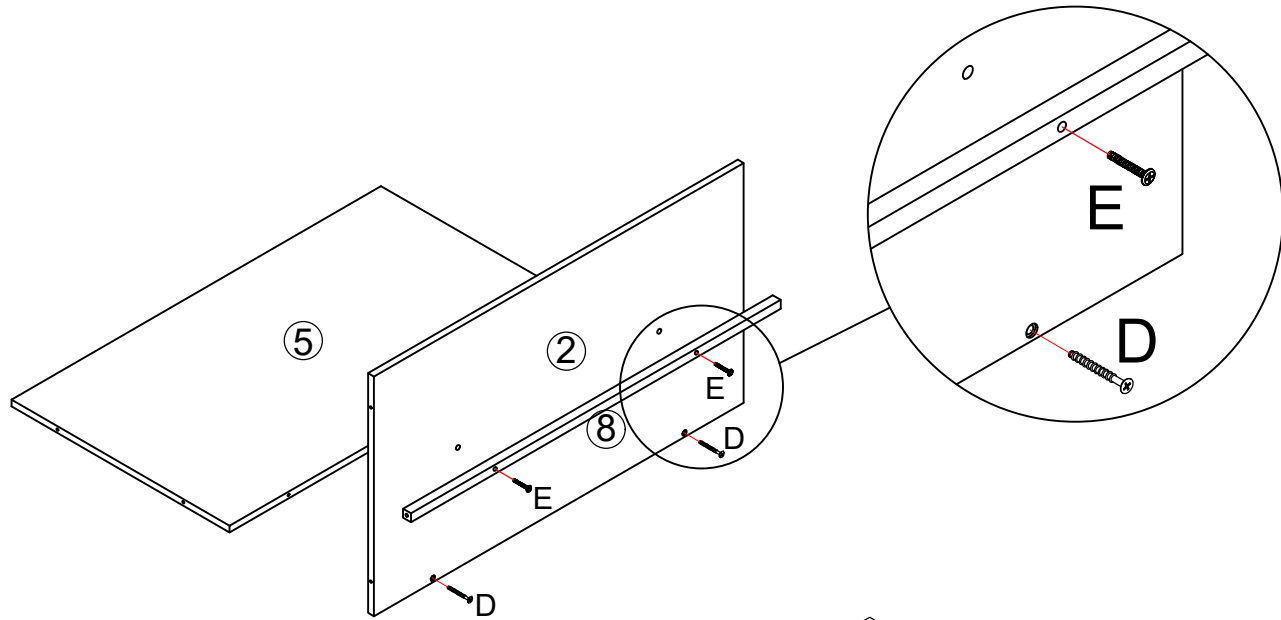





IV



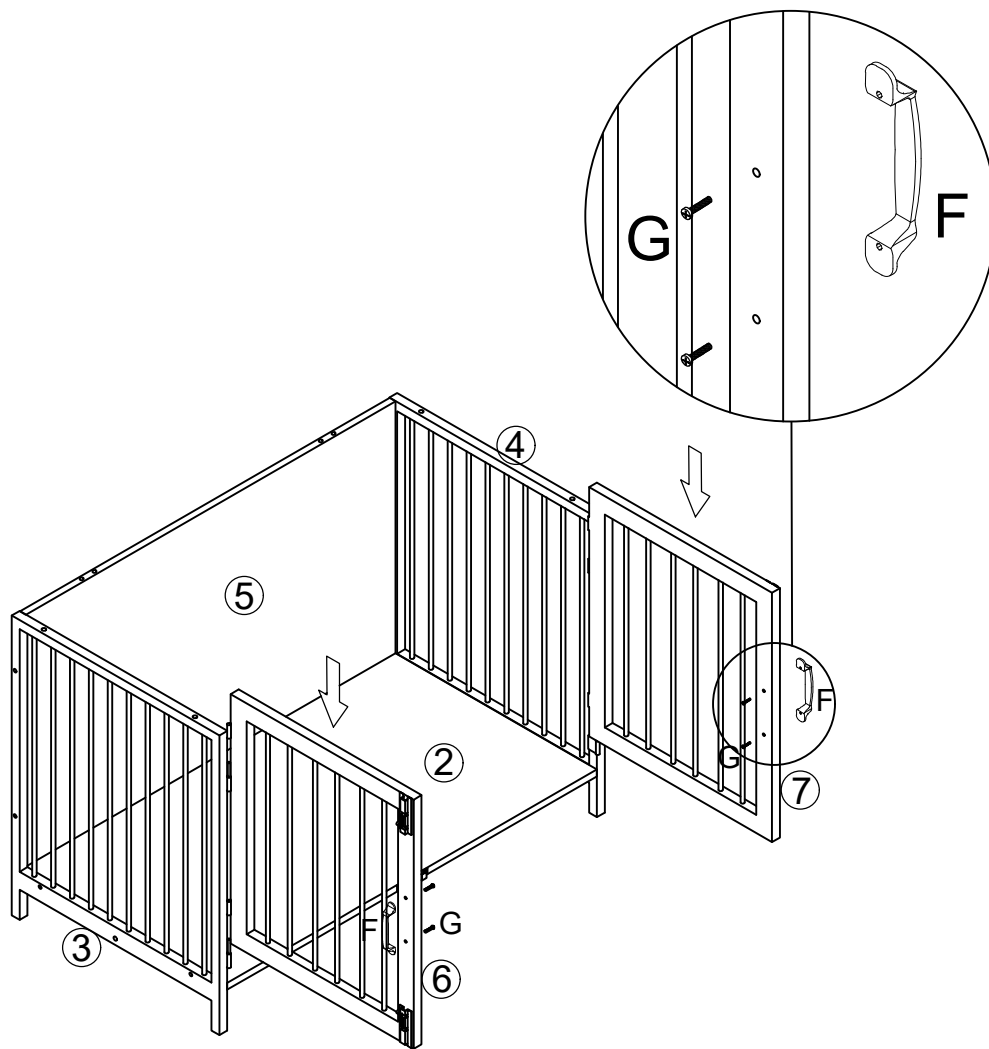
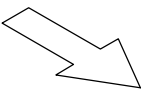
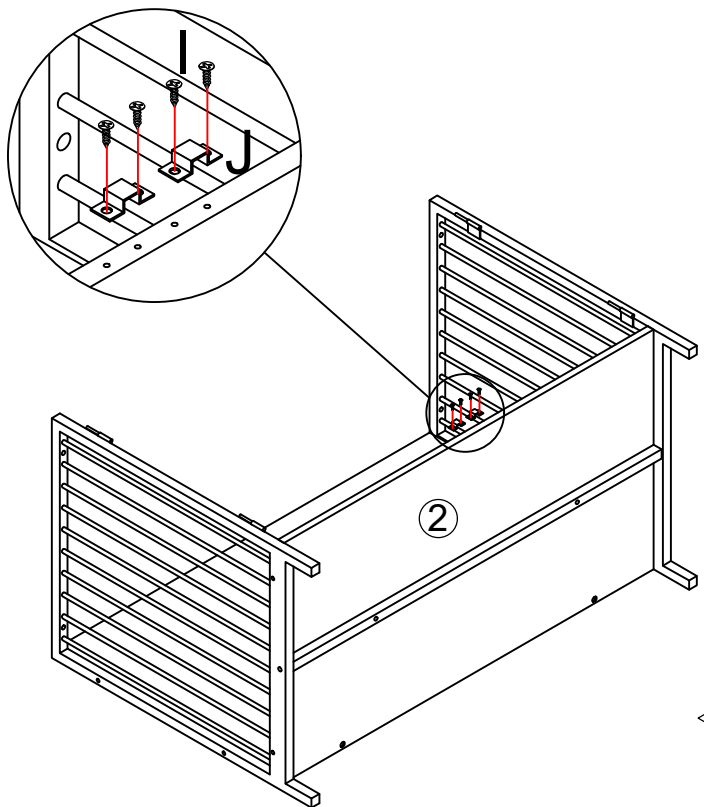
Scan QR code for assembly video





1



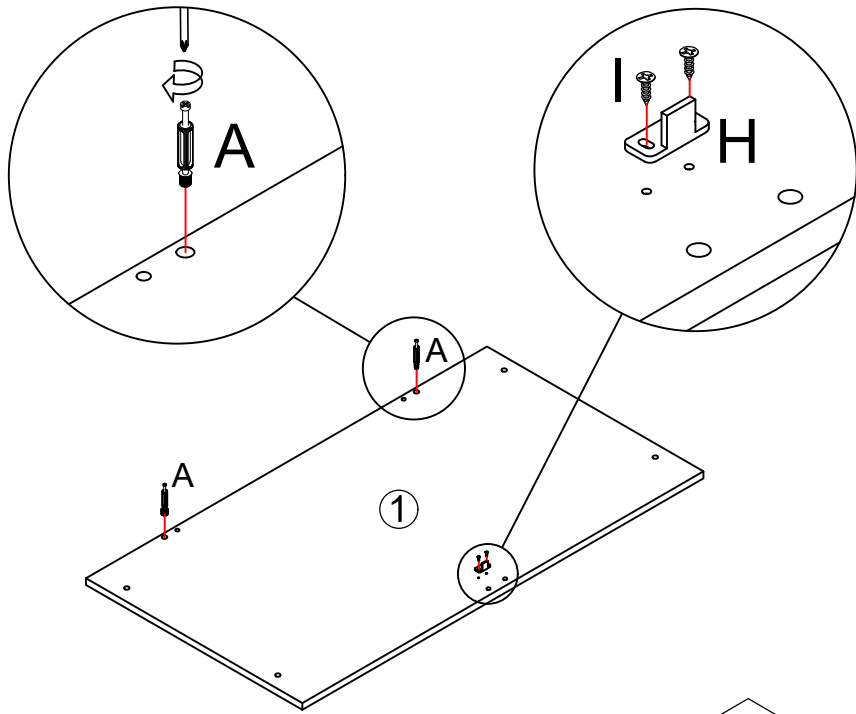
| | |
|---|------|
|  | D*10 |
|  | E*2 |
|  | K*2 |

2

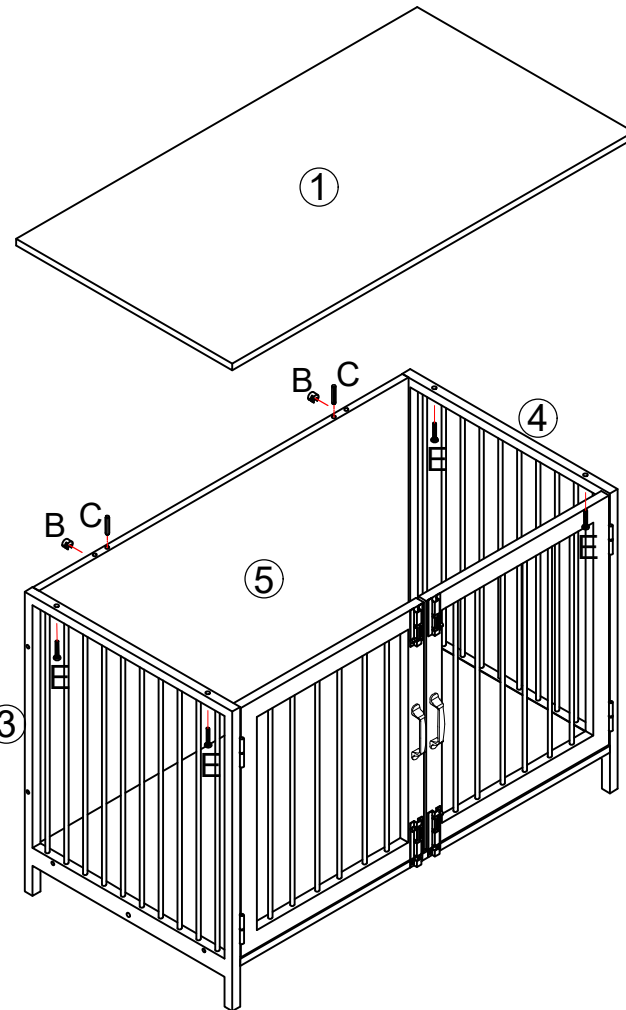
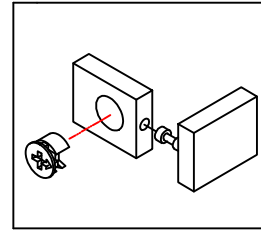




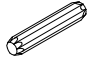



| | |
|---|-----|
|  | F*2 |
|  | G*4 |
|  | I*4 |
|  | J*2 |

3



Make sure the arrow on the screw align to the hole on the side.



| | |
|---|-----|
|  | A*2 |
|  | B*2 |
|  | C*2 |
|  | E*4 |
|  | H*1 |
|  | I*2 |

END

