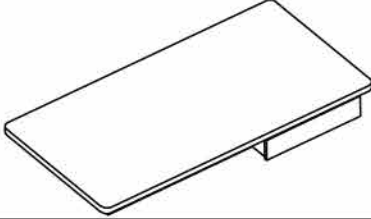
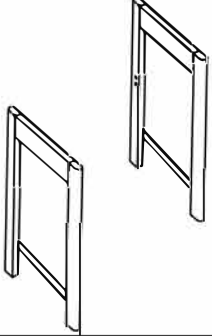
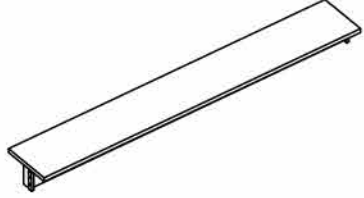




# ASSEMBLY INSTRUCTIONS

Thank you for purchasing this quality product. Be sure to check all packing material carefully for small parts that may have come loose inside the carton during shipment. (Note: Loosely thread all screws/bolts first. Once the item is assembled then completely tighten.)


## Part List

Label	Picture	Description	Qty.
A		Top	01 Pc
B		Legs	02 Pcs
C		Mid	01 Pc

## Hardware List

Label	Picture	Description	Size	Qty.
H-1		Bolts	50 x 8 mm	6+1 Pcs
H-2		Bolts	20 x 8 mm	2+1 Pcs
H-3		Flat Washer	8 mm	8+1 Pcs
H-4		Spring Washer	8 mm	8+1 Pcs

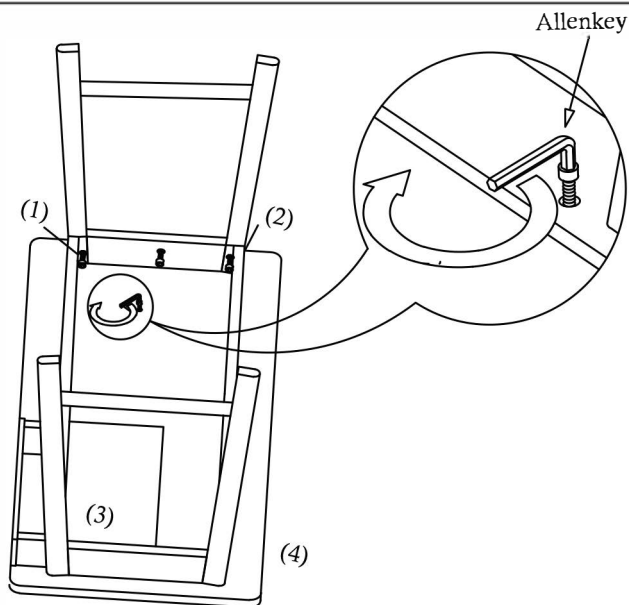
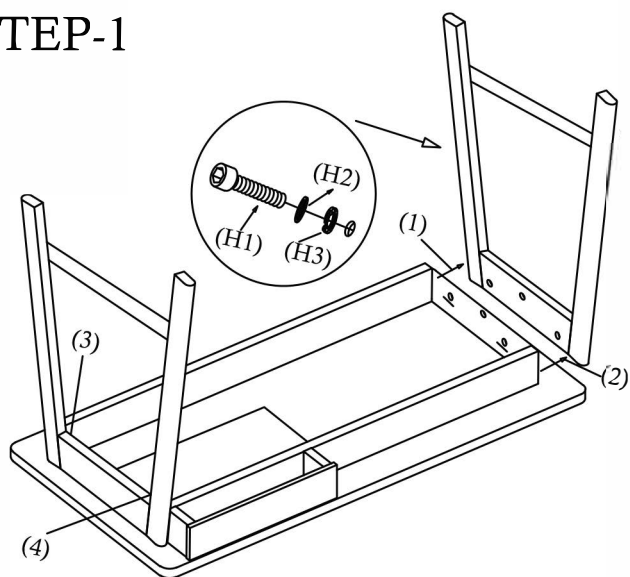
## Tool List

Label	Picture	Description	Size	Qty.
T-1		Allenkey	5 mm	1 Pcs

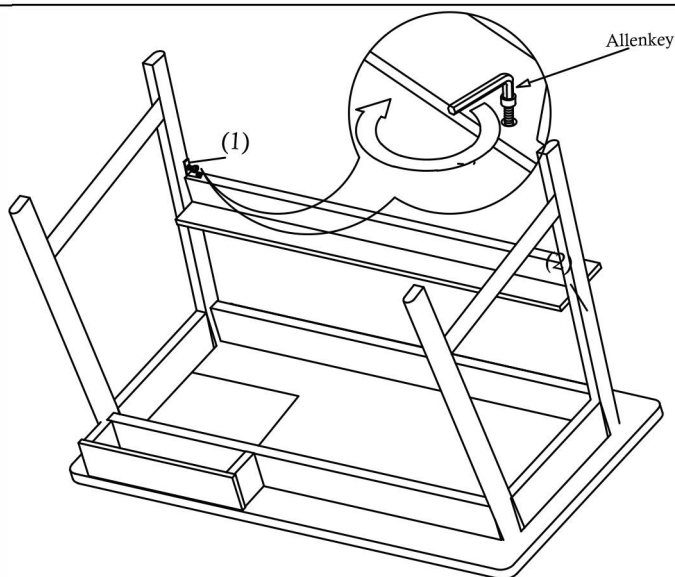
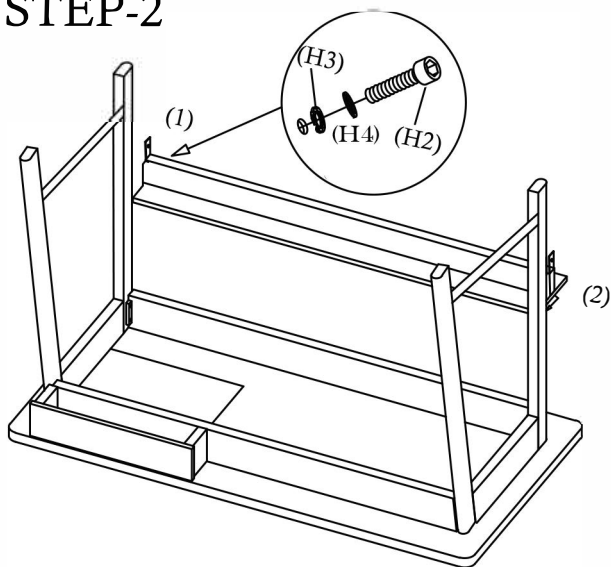
# ASSEMBLY INSTRUCTIONS

Thank you for purchasing this quality product. Be sure to check all packing material carefully for small parts that may have come loose inside the carton during shipment. (Note: Loosely thread all screws/bolts first. Once the item is assembled then completely tighten.)

## STEP-1



## STEP-2



## FINAL PICTURE

