

# ASSEMBLY INSTRUCTION

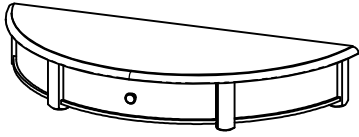


Caution : You must read these Assembly Instructions before you proceed


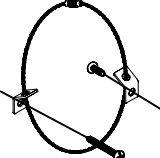
## Care & Maintenance

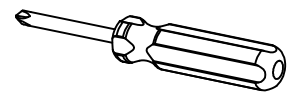
- Not for commercial use. For residential use only.
- Do not put hot items directly on furniture surface.
- Do not clean furniture with harsh cleansers or polish.
- To obtain the longest lifespan of your outdoor products, minimizing minimizing exposure to direct sunlight is recommended.
- Children should not climb or jump on the furniture.
- Do not write on furniture without a padded barrier to protect the surface.
- To obtain the longest lifespan of your outdoor products, avoid extended and lengthy exposure to rain, snow, and direct sunshine. Whenever possible cover the product and /or place under patio or awnings.
- Stains may be removed with mild soap solution and damp cloth.
- Dust and pick-up spills using a clean, non-colored, lint-free cloth.

## CONSOLE TABLE



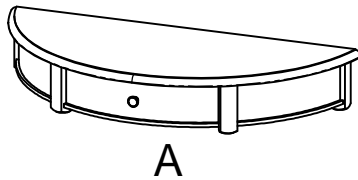
Label	Picture	Description	QTY
A		Table Top	1
B		Legs	4
C		Desk shelf	1

Label	Picture	Description	QTY
①		Screw (M4x40mm)	4
②		Anti-fall cable set	2



not included

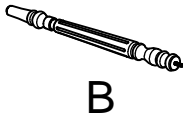
Before Beginning Assembly:



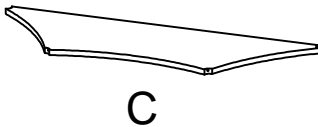
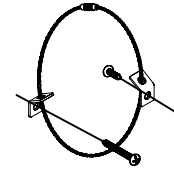
①



x4

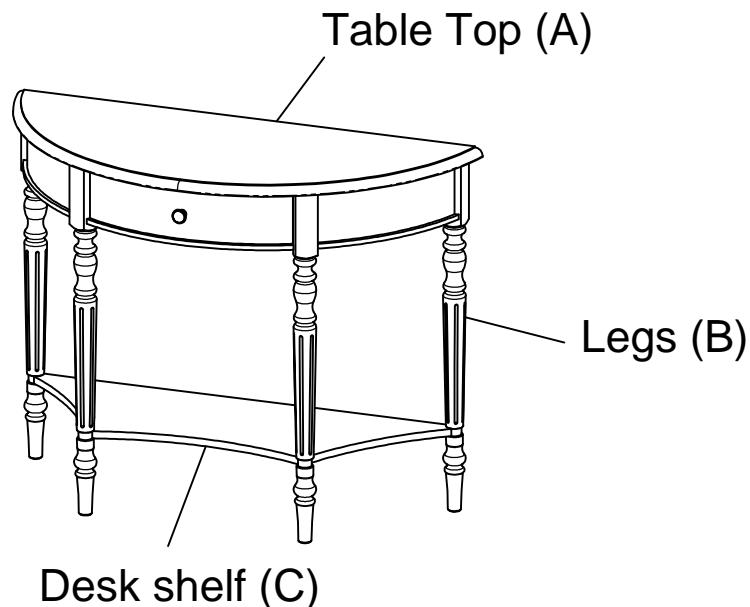


②



Place the table top (A) on a soft floor to avoid scratching the product, place the table top on the floor, Assemble the 2 left legs (B) first, place them in the correct position of the holes on the table top assembly, then screw them in, be careful not to tighten them, Need someone to help put the shelf (C) into the correct recess on the table legs, Assemble the 2 right table legs in the correct position of the drilled holes, tighten all 4 table legs, use wood screws (1) to tighten.

Overview

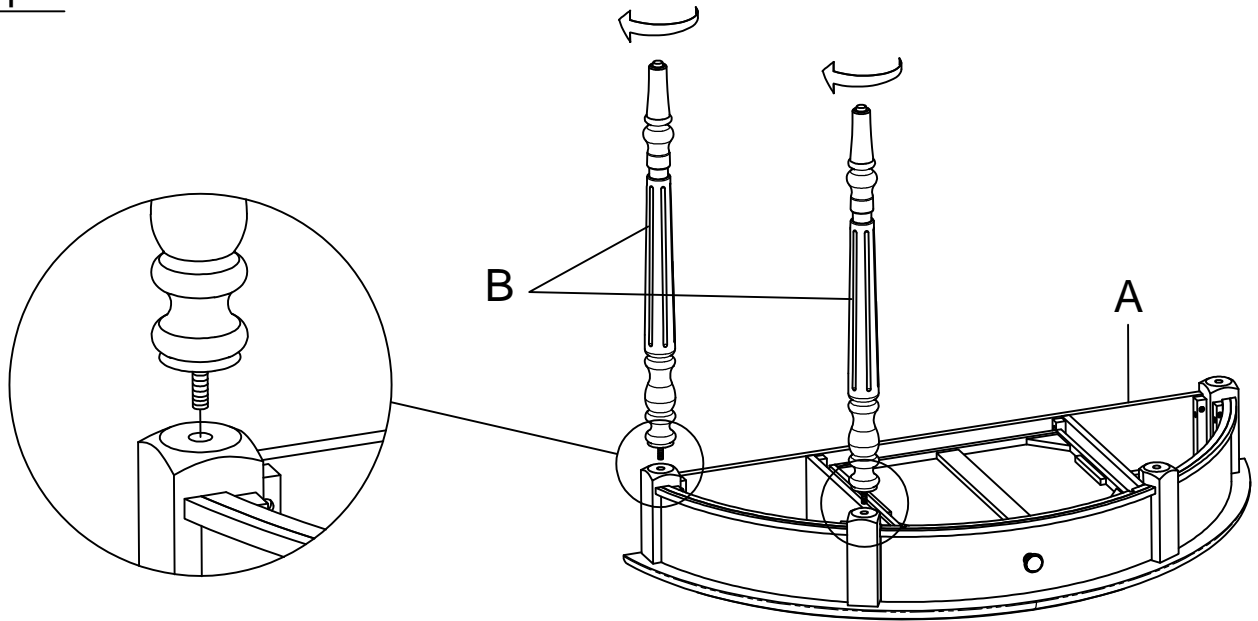


FRONT FACING

This Table has multiple parts and may require up to 30 minutes to assemble. To give you an overview of the Table parts, the above picture is provided to help you put the various parts into perspective. Please read through the instructions below to familiarise yourself with the parts and steps before assembly.

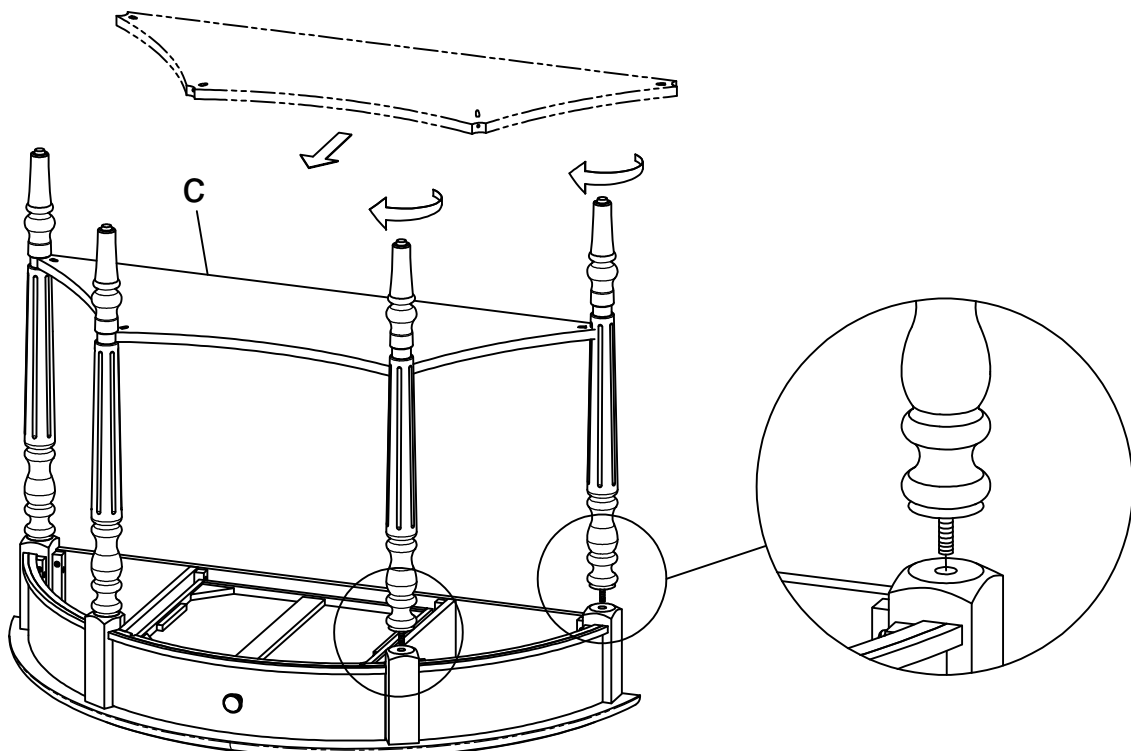
Assemble the 2 table legs (B) on the left side of the table, bolt the head to the correct position of the drilled hole on the vanej table top assembly, do not tighten.

### Step 1



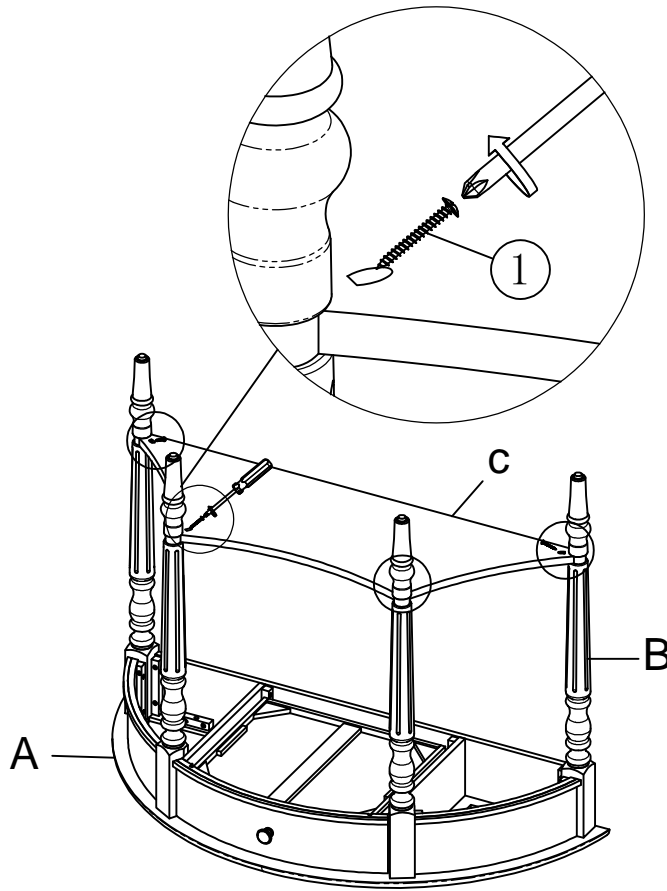
Need someone to help put the table shelf into the correct recess on the table leg, assemble the 2 right legs and tighten them.

### Step 2



After tightening the 4 table legs (B) use wood screws (1) to fix the 4 drilled holes on the table base in the correct position.

### Step 3



①  x4

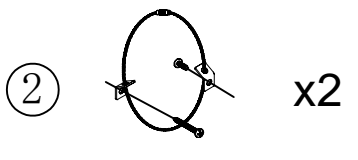
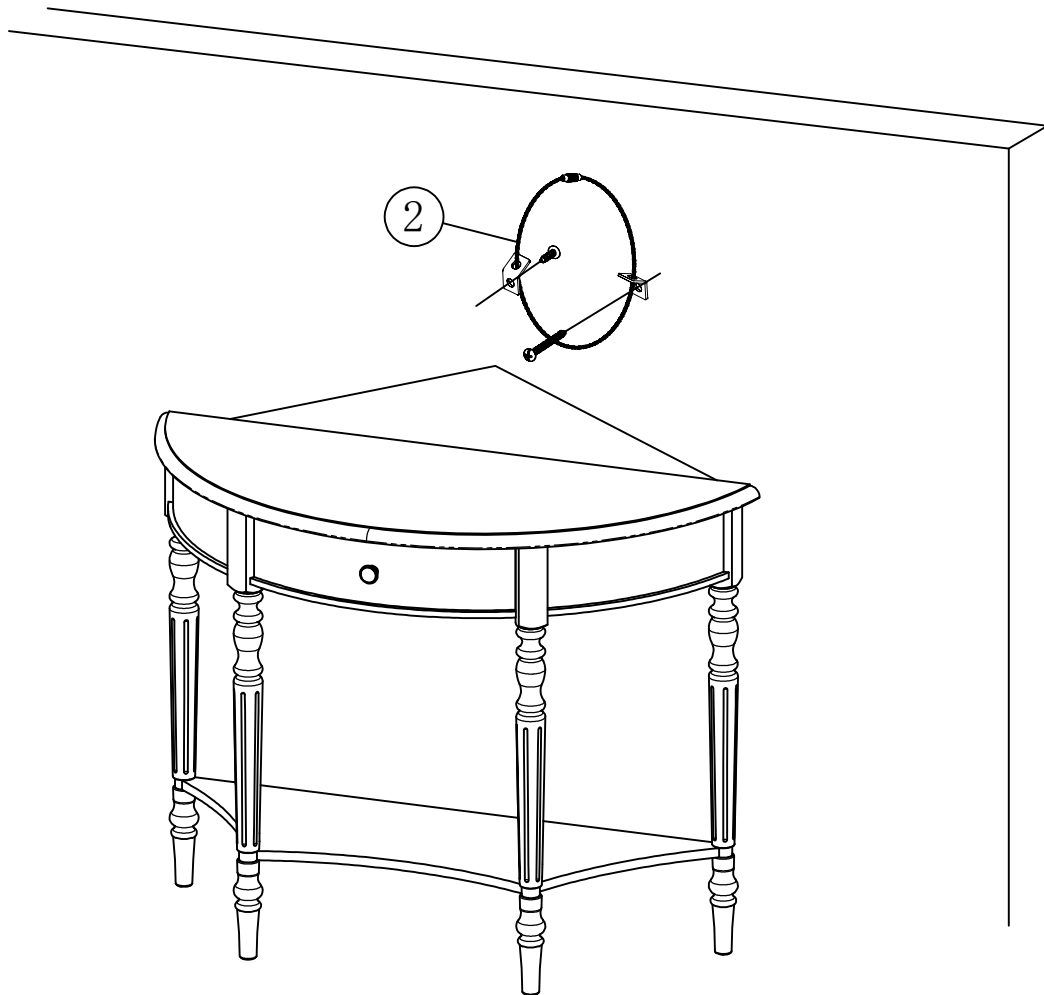
Complete the table assembly and set it up.

### Step 4



Anti-fall cable set is attached behind the table according to the instructions. Short screws are attached to the side of the table, Long screws are attached to the wall.

## Step 5



## Questions & Answers about Proposition 65

- What is Proposition 65?

Proposition 65 requires businesses to provide warnings to Californians about significant exposures to chemicals that cause cancer, birth defects or other reproductive harm. These chemicals can be in the products that Californians purchase, in their homes or workplaces, or that are released into the environment. By requiring that this information be provided, Proposition 65 enables Californians to make informed decisions about their exposures to these chemicals.

Proposition 65 also prohibits California businesses from knowingly discharging significant amounts of listed chemicals into sources of drinking water.

Proposition 65 requires California to publish a list of chemicals known to cause cancer, birth defects or other reproductive harm. This list, which must be updated at least once a year, has grown to include approximately 900 chemicals since it was first published in 1987.

- What types of chemicals are on the Proposition 65 list?

The list contains a wide range of naturally occurring and synthetic chemicals that include additives or ingredients in pesticides, common household products, food, drugs, dyes, or solvents. Listed chemicals may also be used in manufacturing and construction, or they may be byproducts of chemical processes, such as motor vehicle exhaust.

- What does a warning mean?

If a warning is placed on a product label or posted or distributed at a workplace, a business, or in rental housing, the business issuing the warning is aware or believes that it is exposing individuals to one or more listed chemicals.

By law, a warning must be given for listed chemicals unless the exposure is low enough to pose no significant risk of cancer or is significantly below levels observed to cause birth defects or other reproductive harm.

- Where can I get more information on Proposition 65?

If you have specific questions on the administration or implementation of Proposition 65, you can contact OEHHA's Proposition 65 program at [P65.Questions@oehha.ca.gov](mailto:P65.Questions@oehha.ca.gov), or by phone at (916) 445-6900.