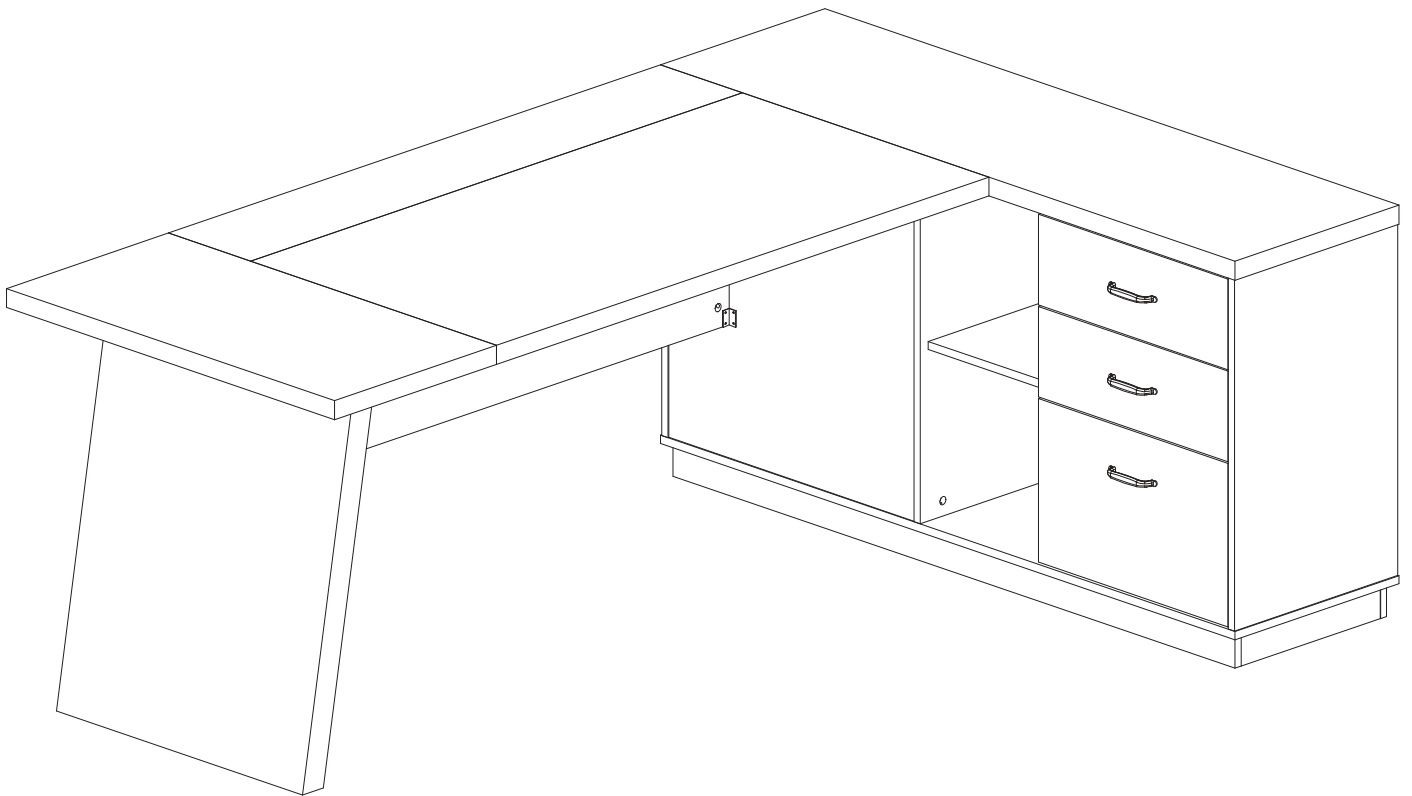


Assembly Instructions



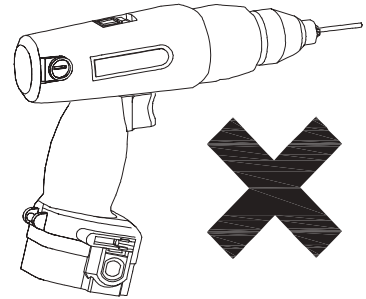
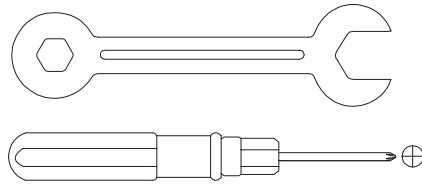
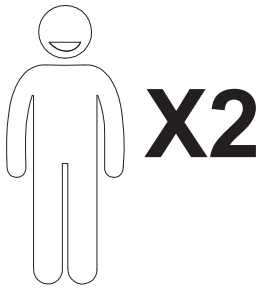
Contact Us

We're here to help you.

Your satisfaction is our top priority. If you encounter any issues with this product, such as missing or damaged parts, we're here to help. Please retain the original packaging and take photos of the packaging and the product, then contact us as soon as possible.

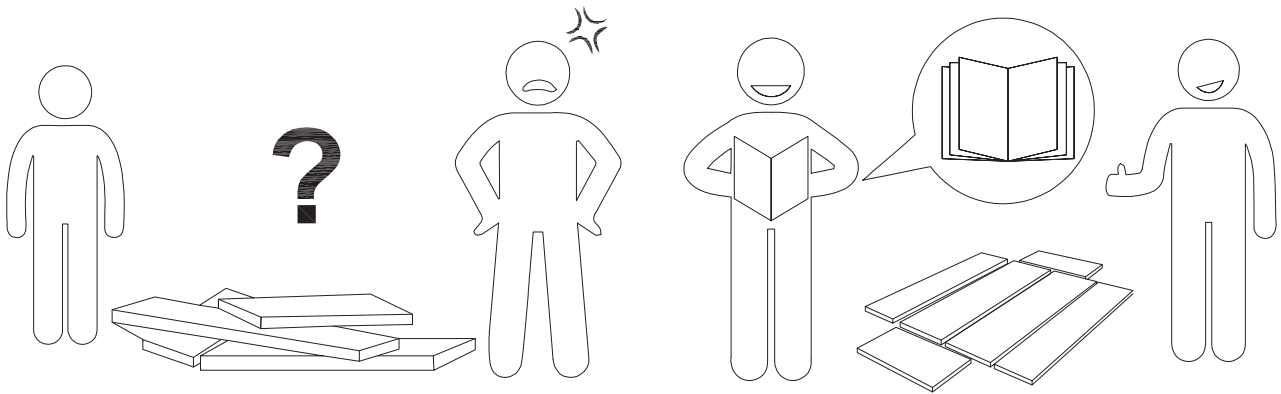
Warm Tips

1. Carefully read these instructions and keep them for future reference.
2. Check the parts list and confirm everything's there before starting assembly.
3. When assembling, put all parts on a soft, smooth surface like a carpet to avoid scratches.
4. Don't fully tighten screws until all parts are confirmed in place to avoid misalignment.



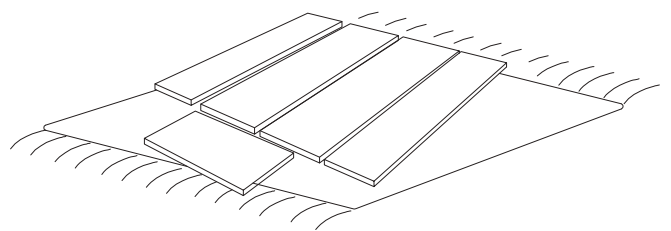
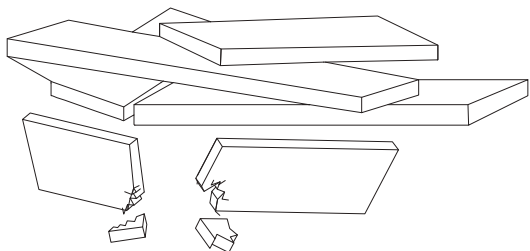
We recommend using hand tools for assembly.

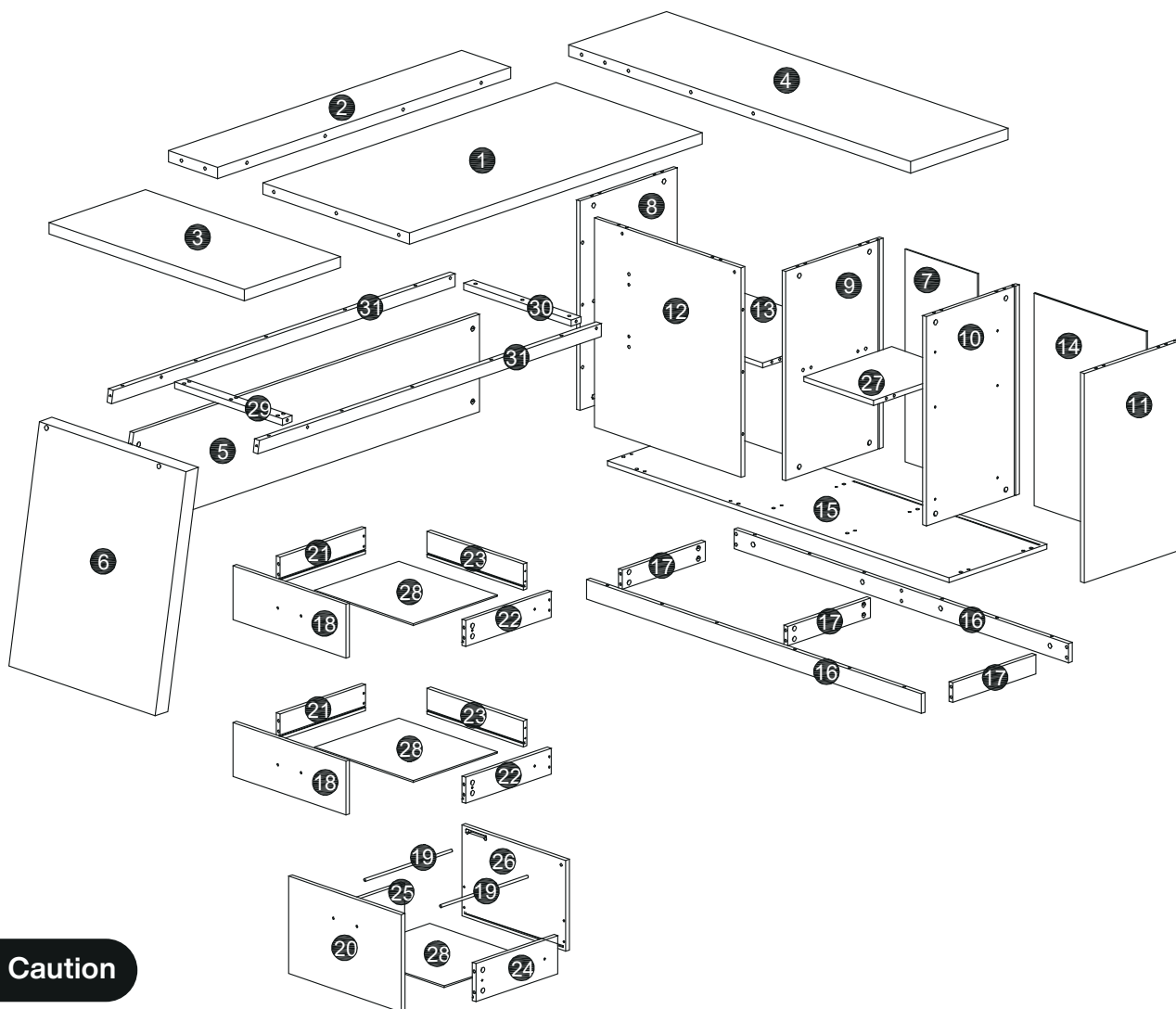
If an electric screwdriver is used, reduce power and torque to avoid damage to the product.



AVOID SCRATCHES

In order to avoid scratching, this furniture should be assembled on a soft surface, such as a rug.





⚠ Caution

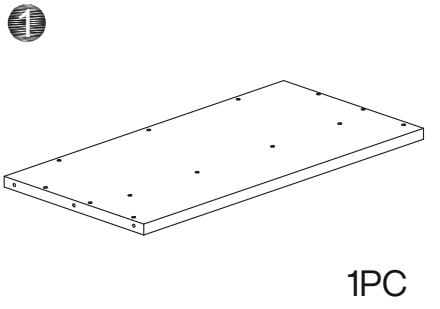
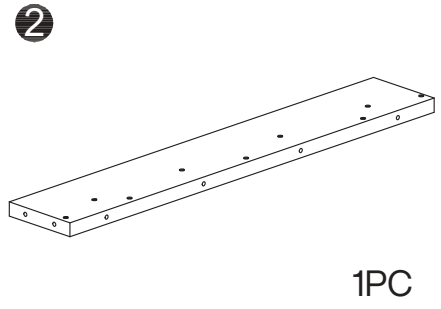
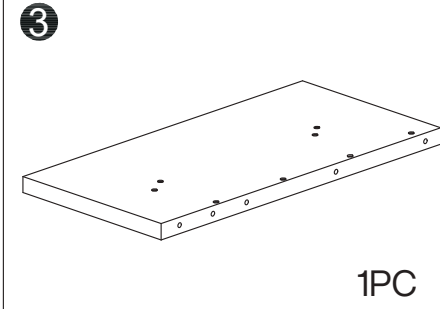
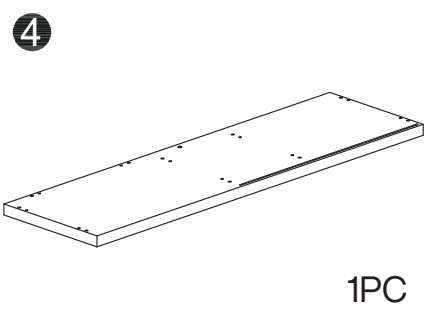
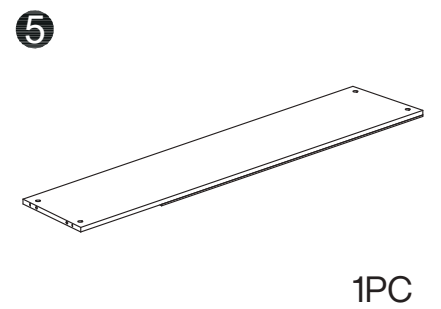
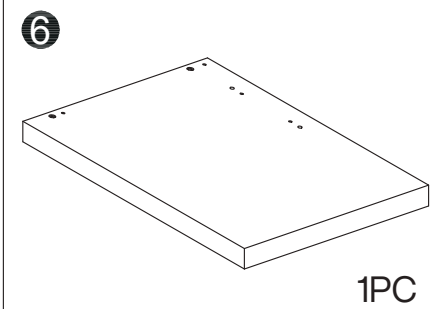
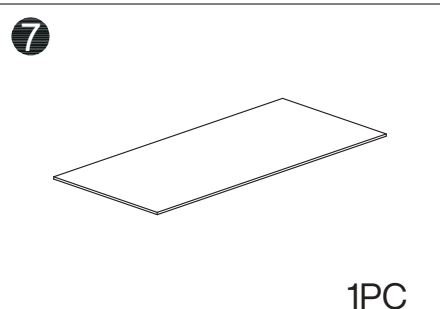
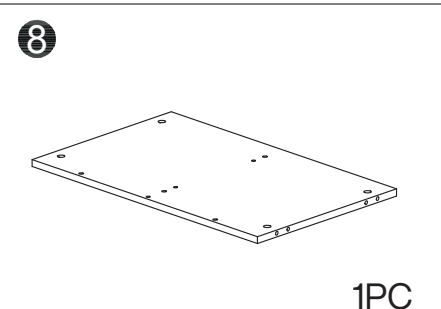
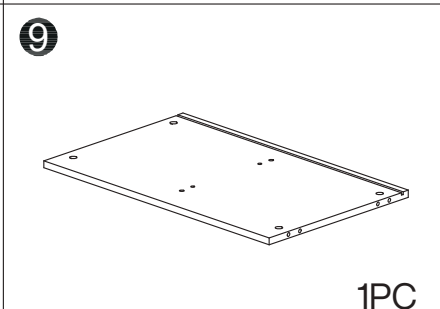
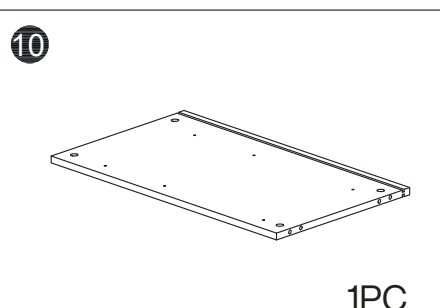
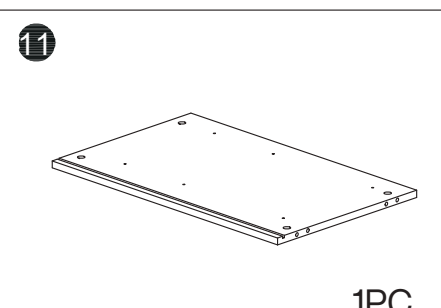
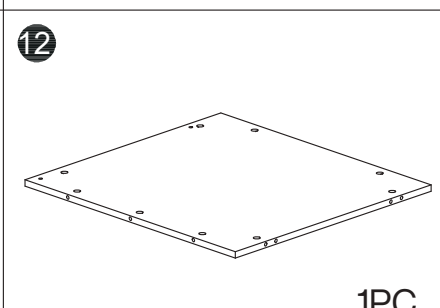
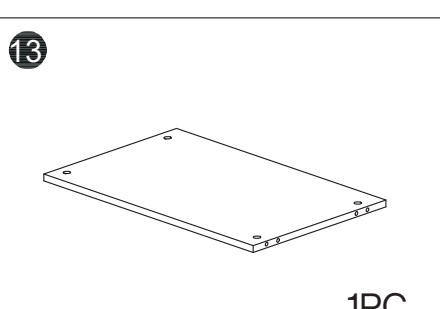
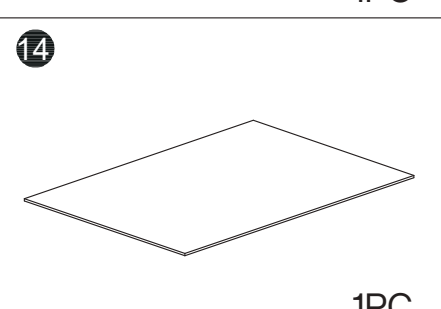
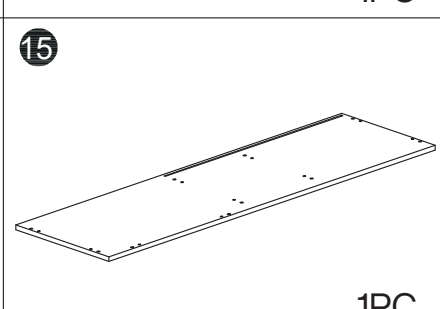
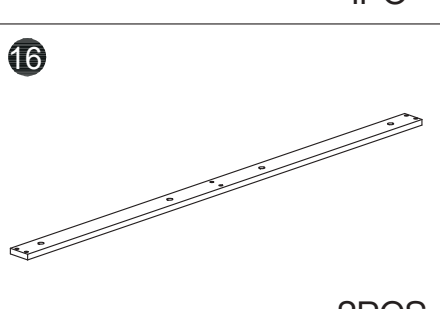
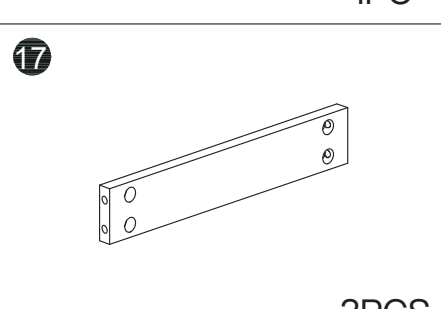
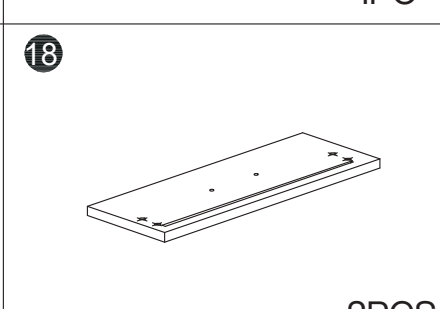
Make sure all parts are included. Most board parts are labeled or stamped on the raw edge. Contact us for a free replacement if you encounter any damaged or missing parts.

A			
①	1 pc	②	1 pc
③	1 pc	⑥	1 pc
⑫	1 pc	⑬	1 pc
⑭	1 pc	⑱	2 pcs
⑳	1 pc	㉑	2 pcs
㉒	2 pcs	㉓	2 pcs
㉔	1 pc	㉕	1 pc
㉖	1 pc	㉗	1 pc

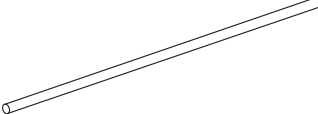
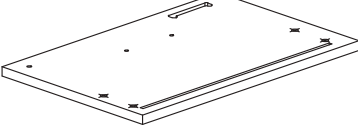
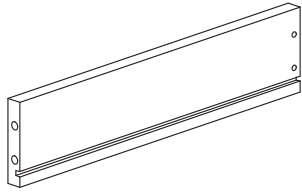
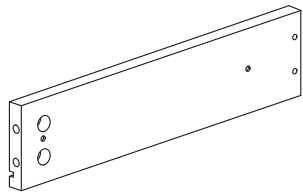
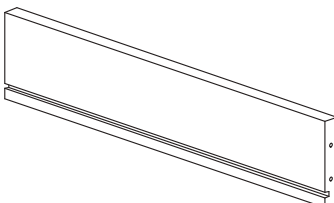
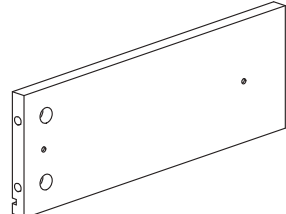
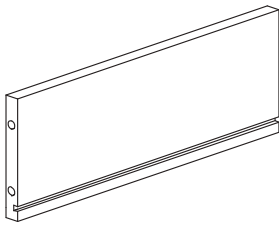
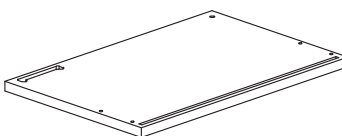
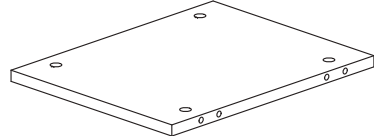
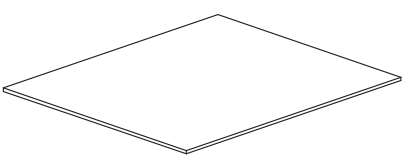
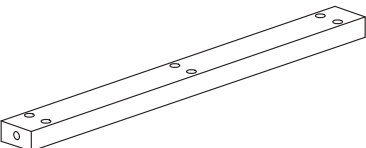
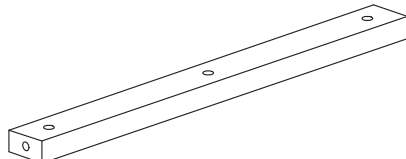
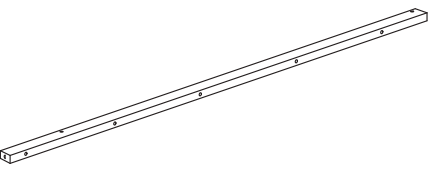
B			
④	1 pc	⑤	1 pc
⑦	1 pc	⑧	2 pcs
⑨	1 pc	⑩	1 pc
⑪	1 pc	⑮	1 pc
⑯	2 pcs	⑰	3 pcs
⑲	2 pcs	㉘	3 pcs
㉙	1 pc	㉚	1 pc
㉛	2 pcs		

Before installation, please check if you have received the A, B packages, and check if the parts are complete.

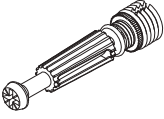
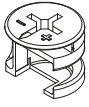
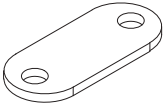
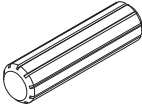
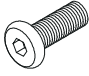
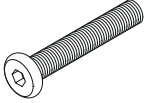
Parts List

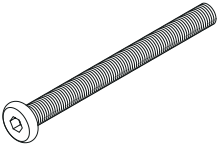
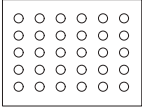
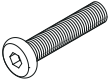
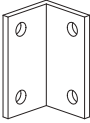
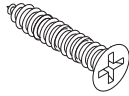
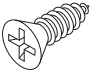
 <p>1</p> <p>1PC</p>	 <p>2</p> <p>1PC</p>	 <p>3</p> <p>1PC</p>
 <p>4</p> <p>1PC</p>	 <p>5</p> <p>1PC</p>	 <p>6</p> <p>1PC</p>
 <p>7</p> <p>1PC</p>	 <p>8</p> <p>1PC</p>	 <p>9</p> <p>1PC</p>
 <p>10</p> <p>1PC</p>	 <p>11</p> <p>1PC</p>	 <p>12</p> <p>1PC</p>
 <p>13</p> <p>1PC</p>	 <p>14</p> <p>1PC</p>	 <p>15</p> <p>1PC</p>
 <p>16</p> <p>2PCS</p>	 <p>17</p> <p>3PCS</p>	 <p>18</p> <p>2PCS</p>

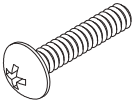



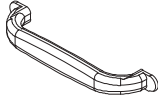

Parts List

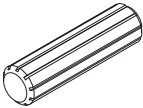
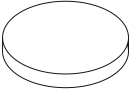
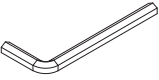

<p>19</p>  <p>2PCS</p>	<p>20</p>  <p>1PC</p>	<p>21</p>  <p>2PCS</p>
<p>22</p>  <p>2PCS</p>	<p>23</p>  <p>2PCS</p>	<p>24</p>  <p>1PC</p>
<p>25</p>  <p>1PC</p>	<p>26</p>  <p>1PC</p>	<p>27</p>  <p>1PC</p>
<p>28</p>  <p>3PCS</p>	<p>29</p>  <p>1PC</p>	<p>30</p>  <p>1PC</p>
<p>31</p>  <p>2PCS</p>		

Hardware List

A	B	C	D	E	F
					
M6x40mm	Ø15x12mm		Ø8x30mm	M6x16mm	M6x35mm
68 pcs	68 pcs	6 pcs	38 pcs	16 pcs	13 pcs

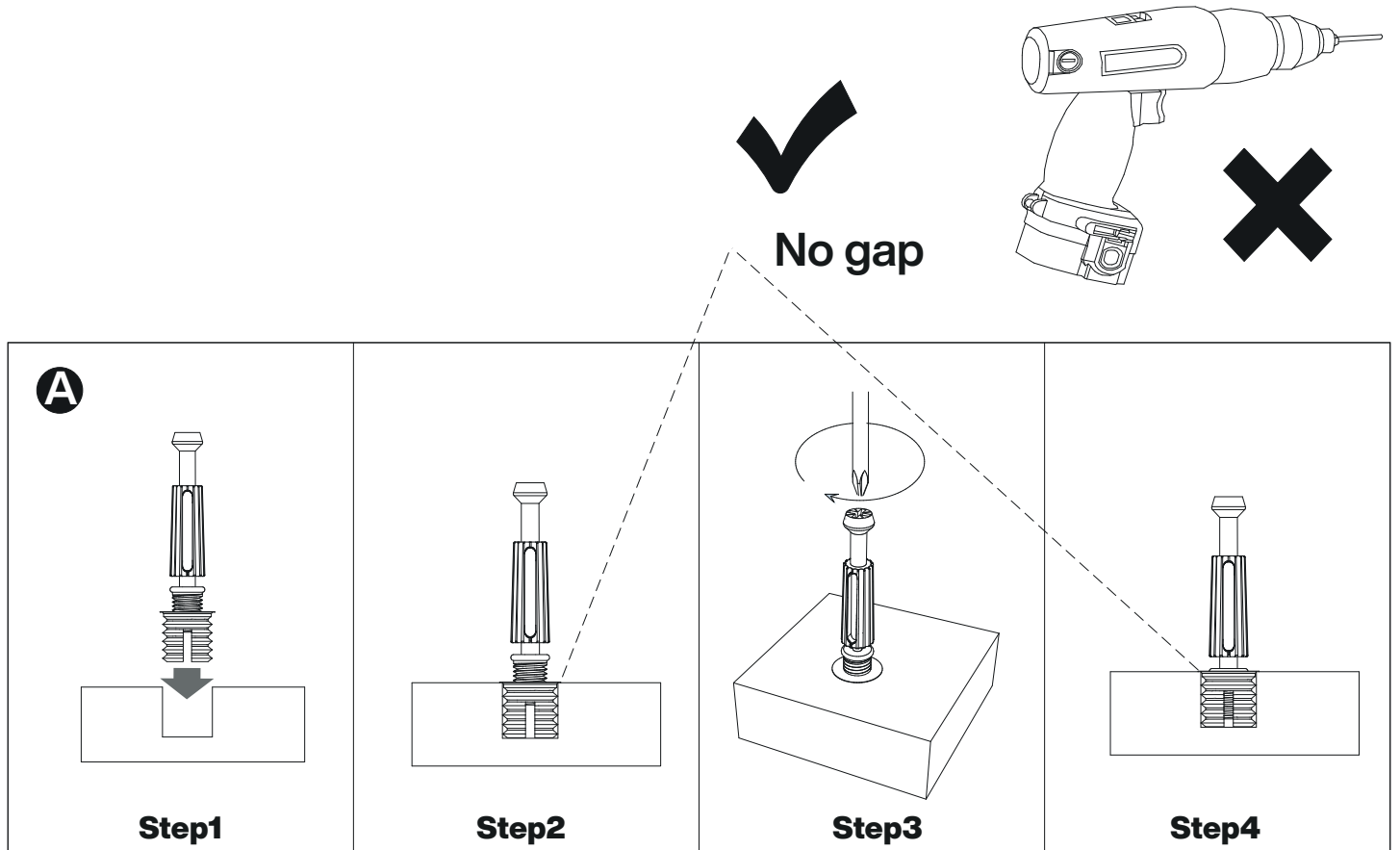
G	H	I	J	K	L
					
M6x55mm		M6x30mm		Ø3.5x35mm	Ø3.5x14mm
12 pcs	60 pcs	2 pcs	2 pcs	12 pcs	32 pcs

M	N	O	P	Q	R
					
Ø4x20mm		L350mm	L350mm	20x20x130mm	Ø15x2mm
6 pcs	2 pcs	3 sets	3 sets	3 pcs	6 pcs

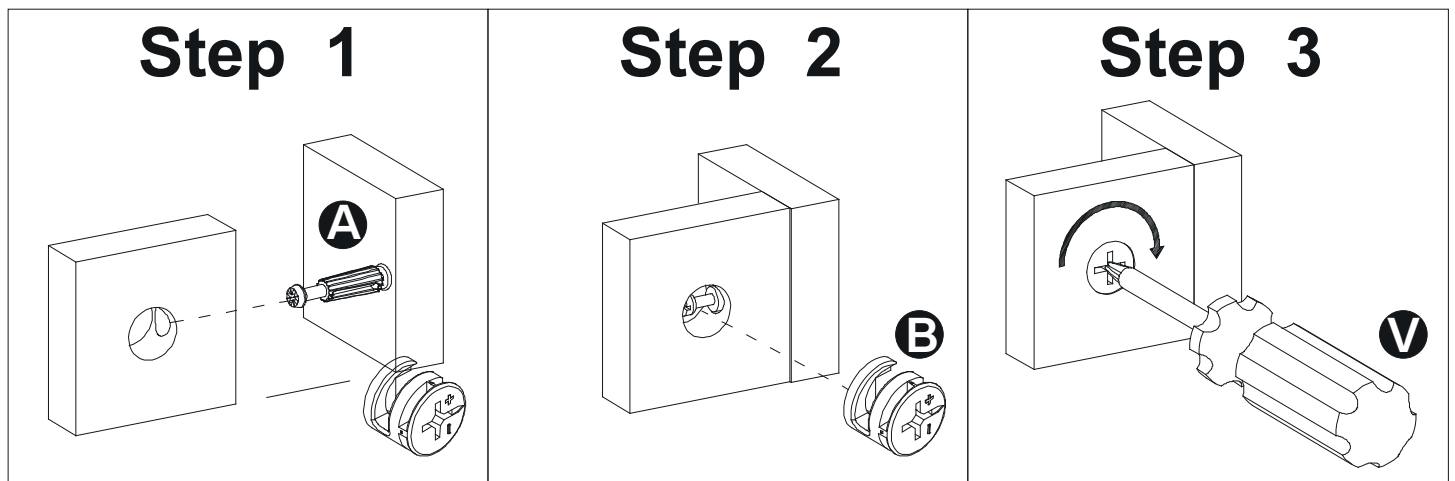
S	T	U	V		
					
Ø10x40mm	Ø25x2mm	M3			
14 pcs	2 pcs	1 pc	1 pc		

Installation of Cams and Pins

Read each step carefully before starting. Each step of instruction should be performed in the correct order. If these steps are not followed in sequence, assembly difficulties may occur.



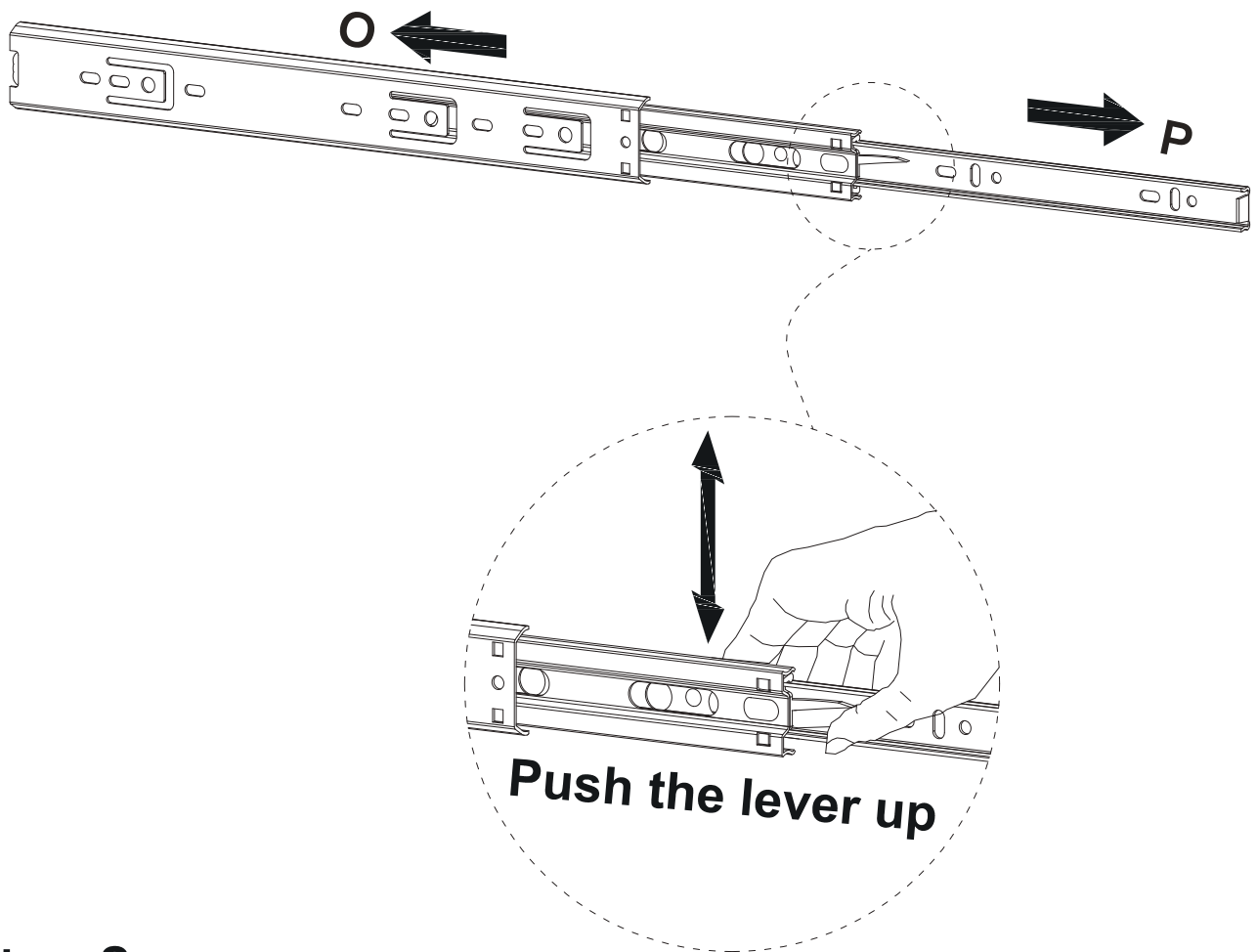
Screw the pin into the hole. Set the cams correctly by aligning the head of the cams with the lock pins. Lock the cam by turning the cam head with a screwdriver until it is tightened. Please do not use an electric screwdriver to assemble the unit.



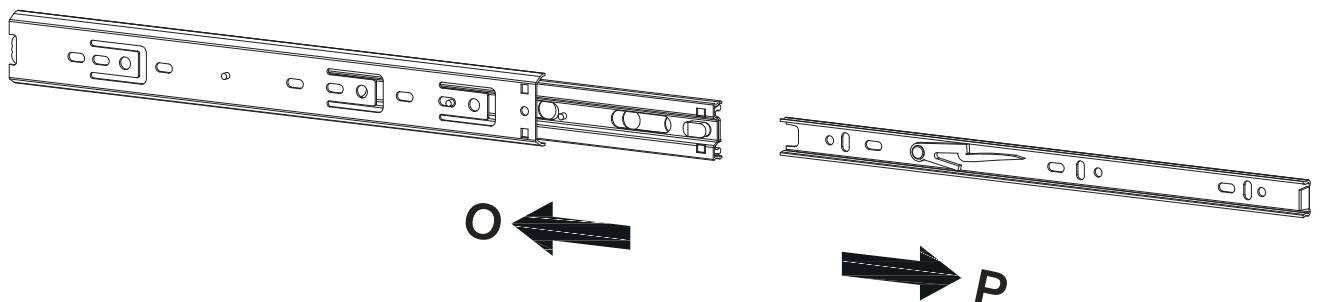
Please split component "O/P" into "O" and "P" before assembling the slide and then proceed to the next step of assembly

Step 1

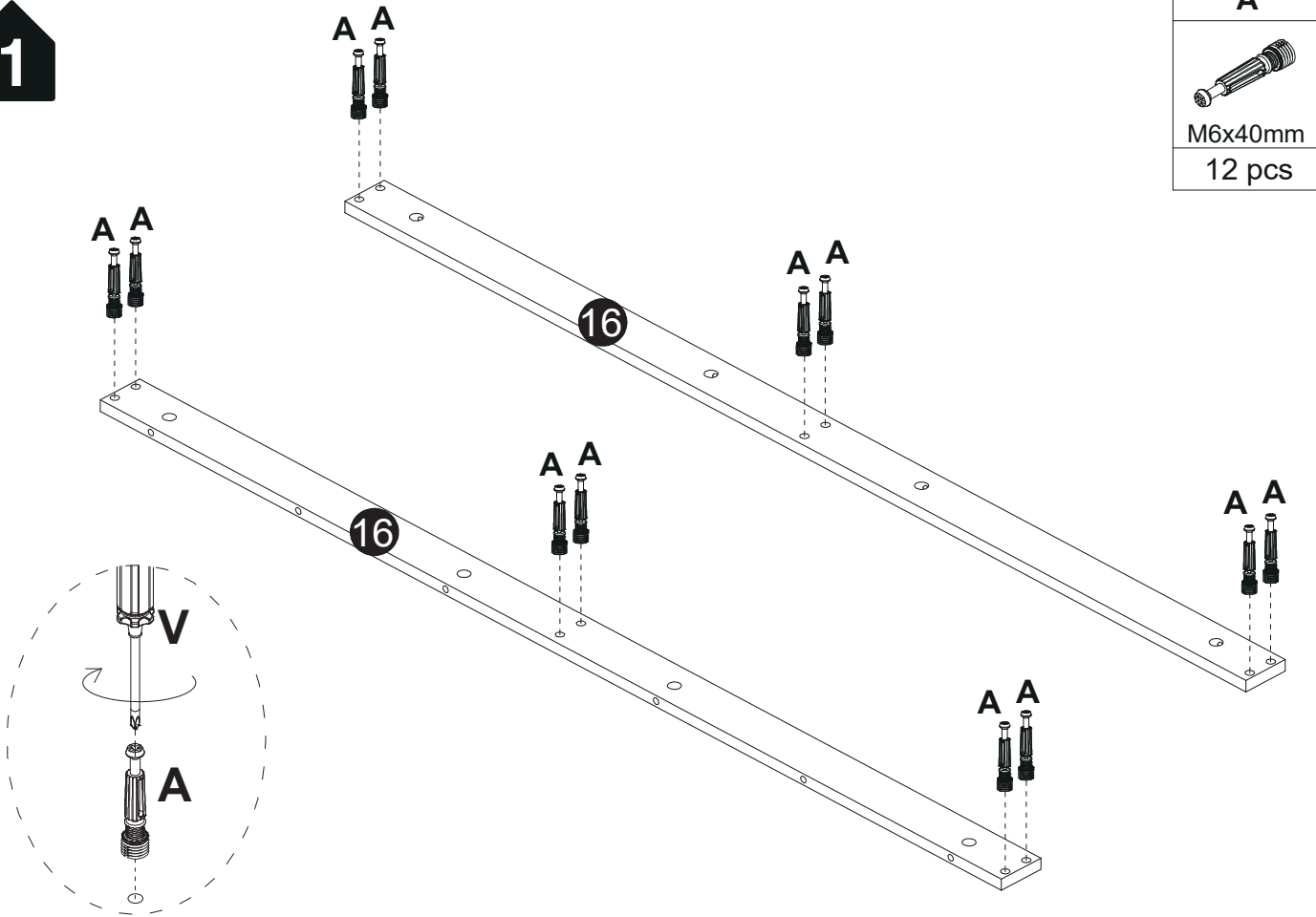
Pull apart component "O/P" to each side, and then gently push up the lever of component "P"




Step 2 Split component "O" and "P"



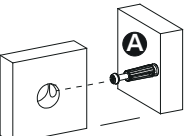
1



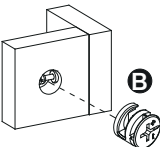
A

M6x40mm
12 pcs

2

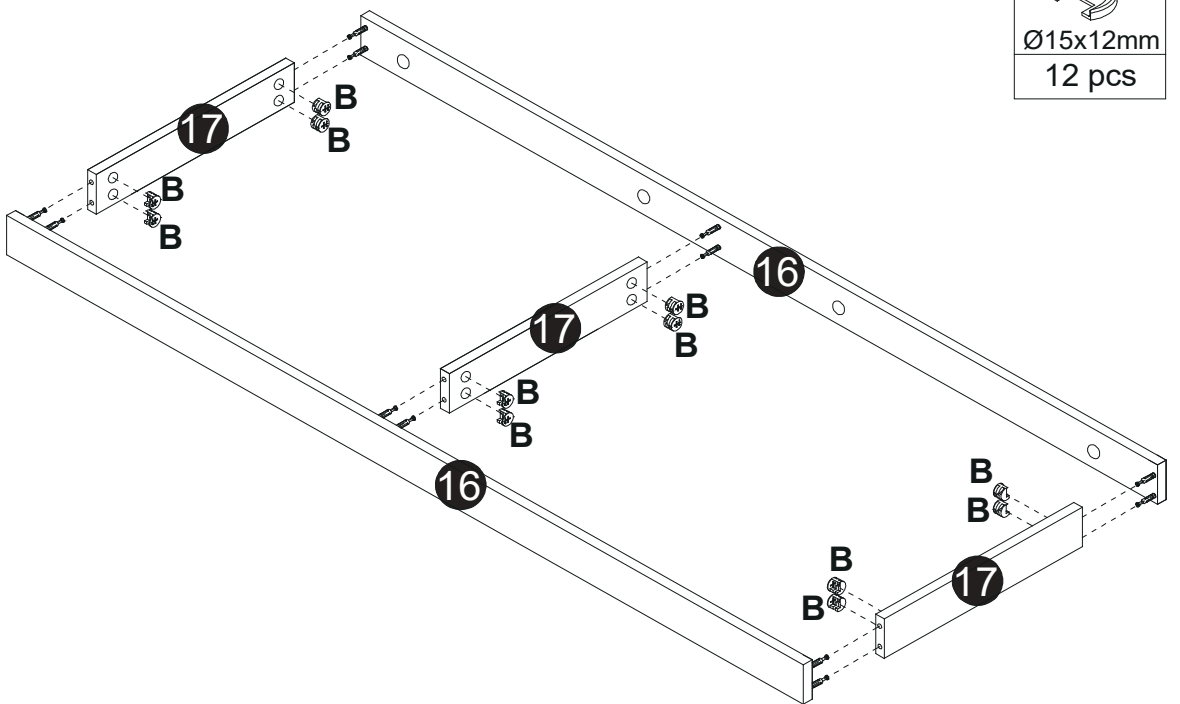
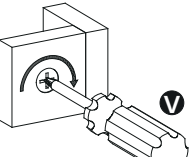
Step 1

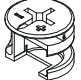


Step 2

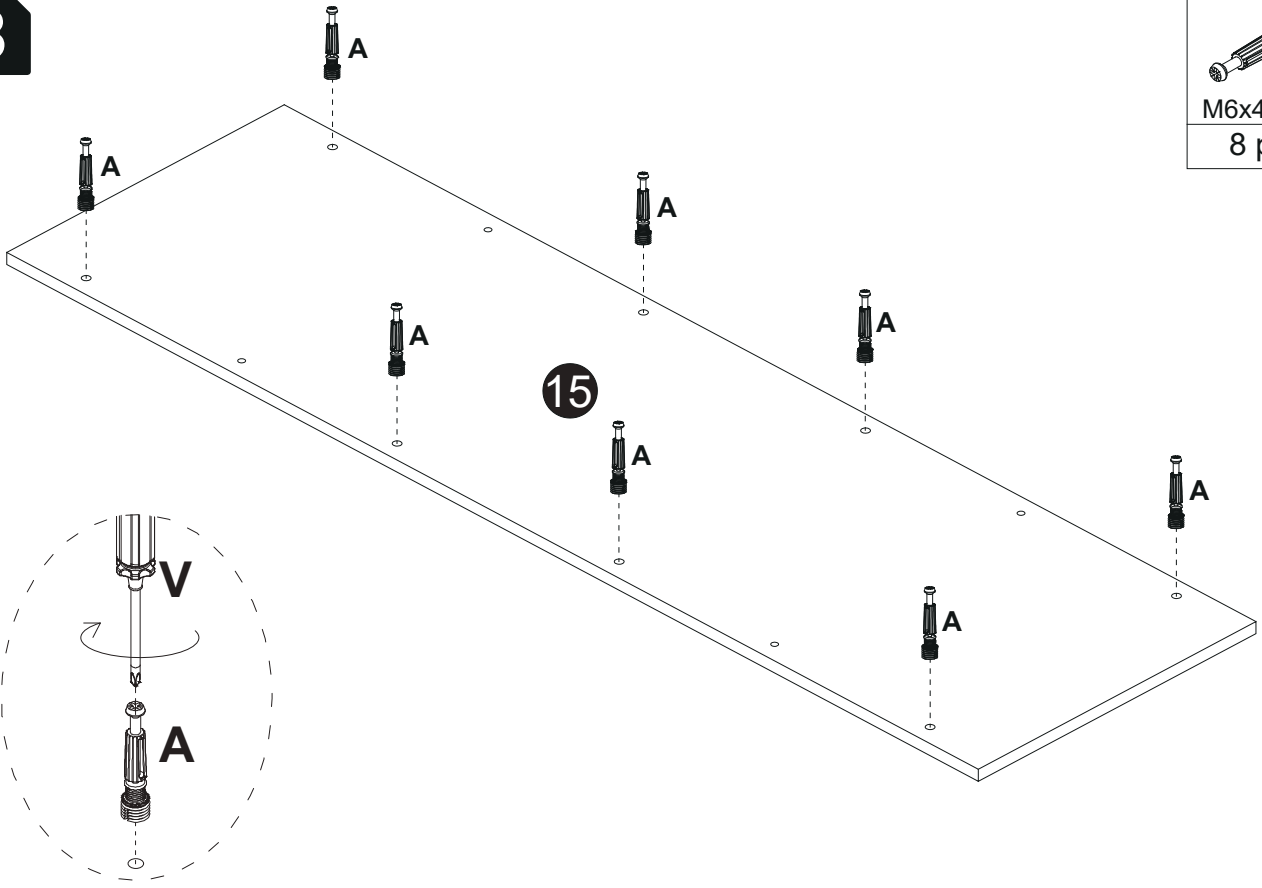


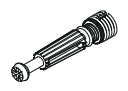
Step 3



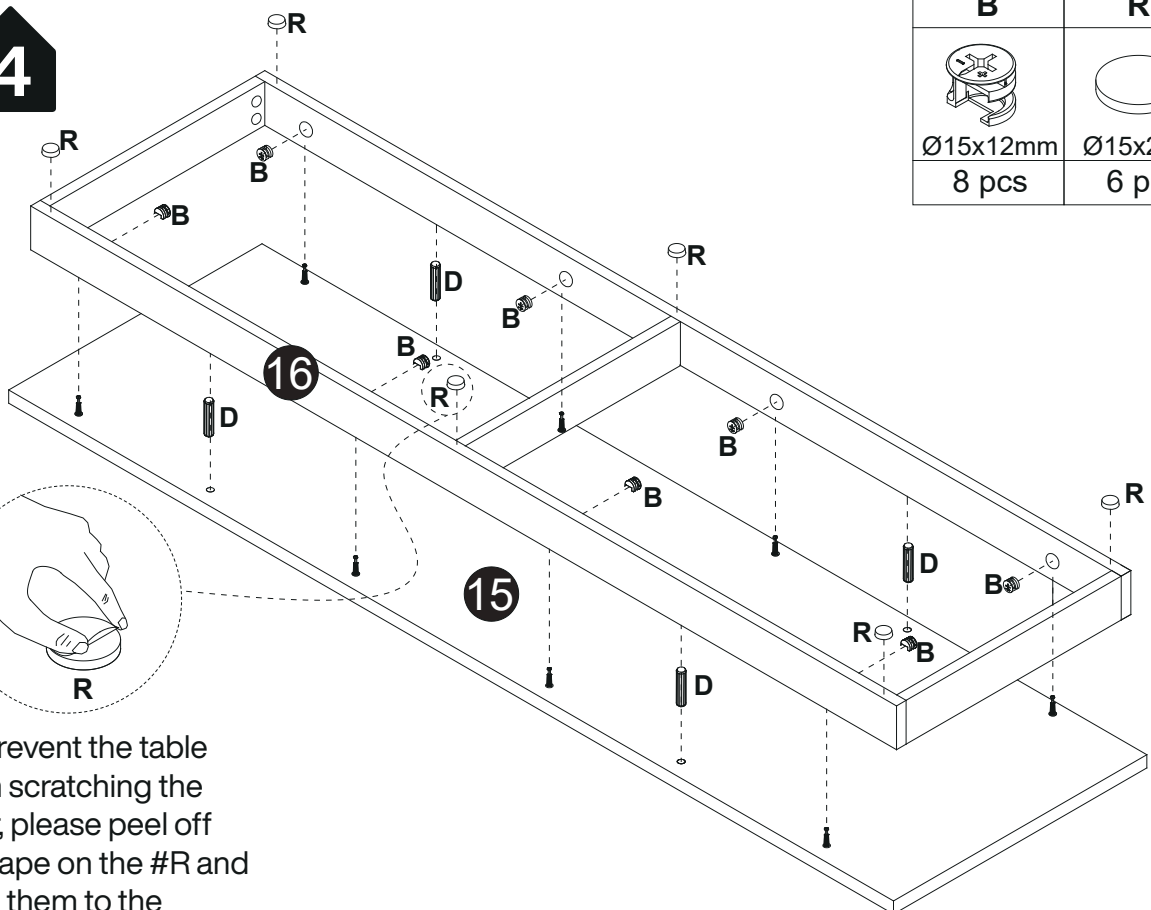
B

Ø15x12mm
12 pcs

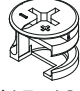

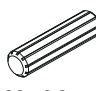
3



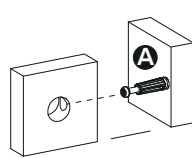
A

M6x40mm
8 pcs

4

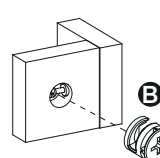


B	R	D
		
Ø15x12mm	Ø15x2mm	M8x30mm
8 pcs	6 pcs	4 pcs

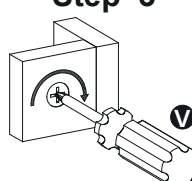
Step 1



Step 2

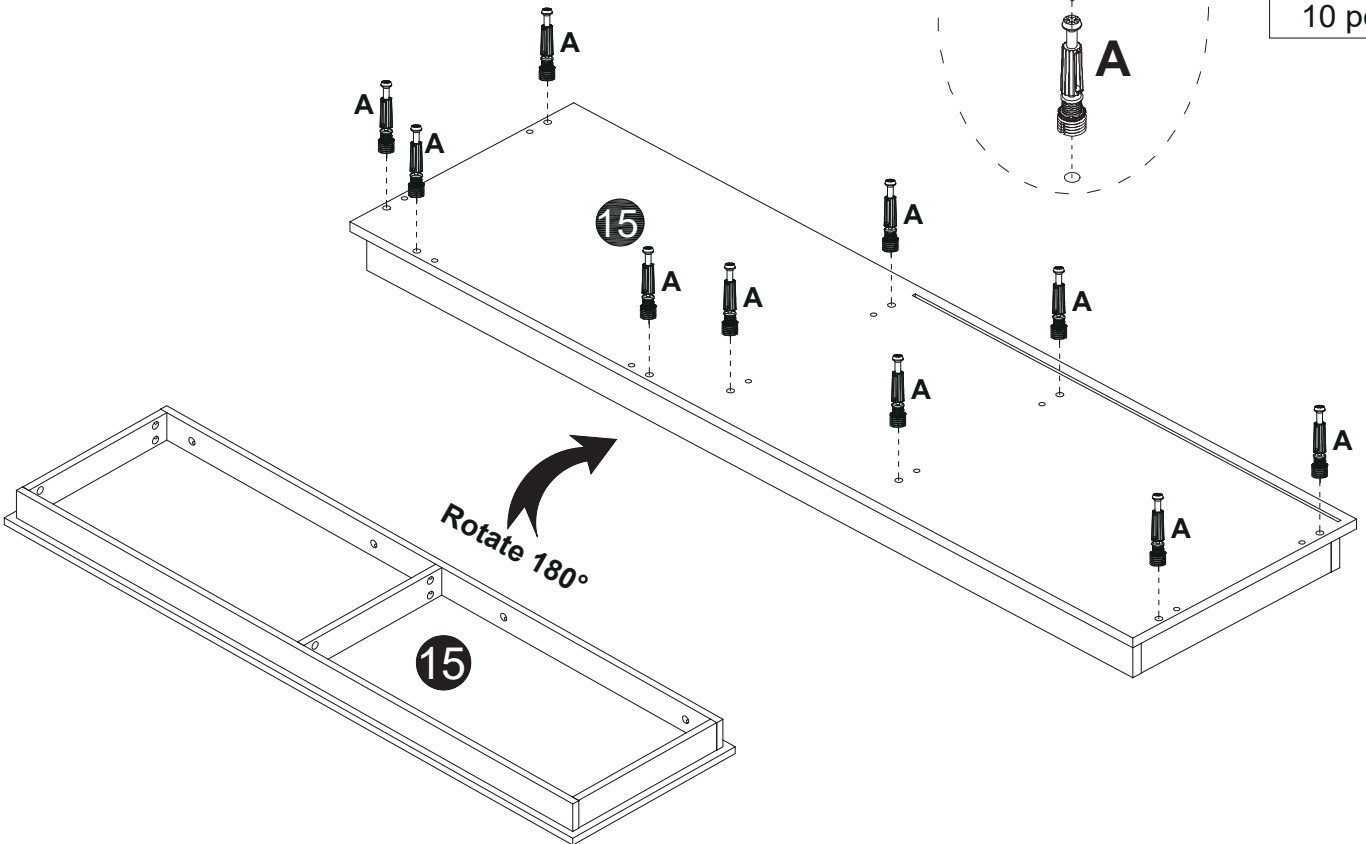



Step 3



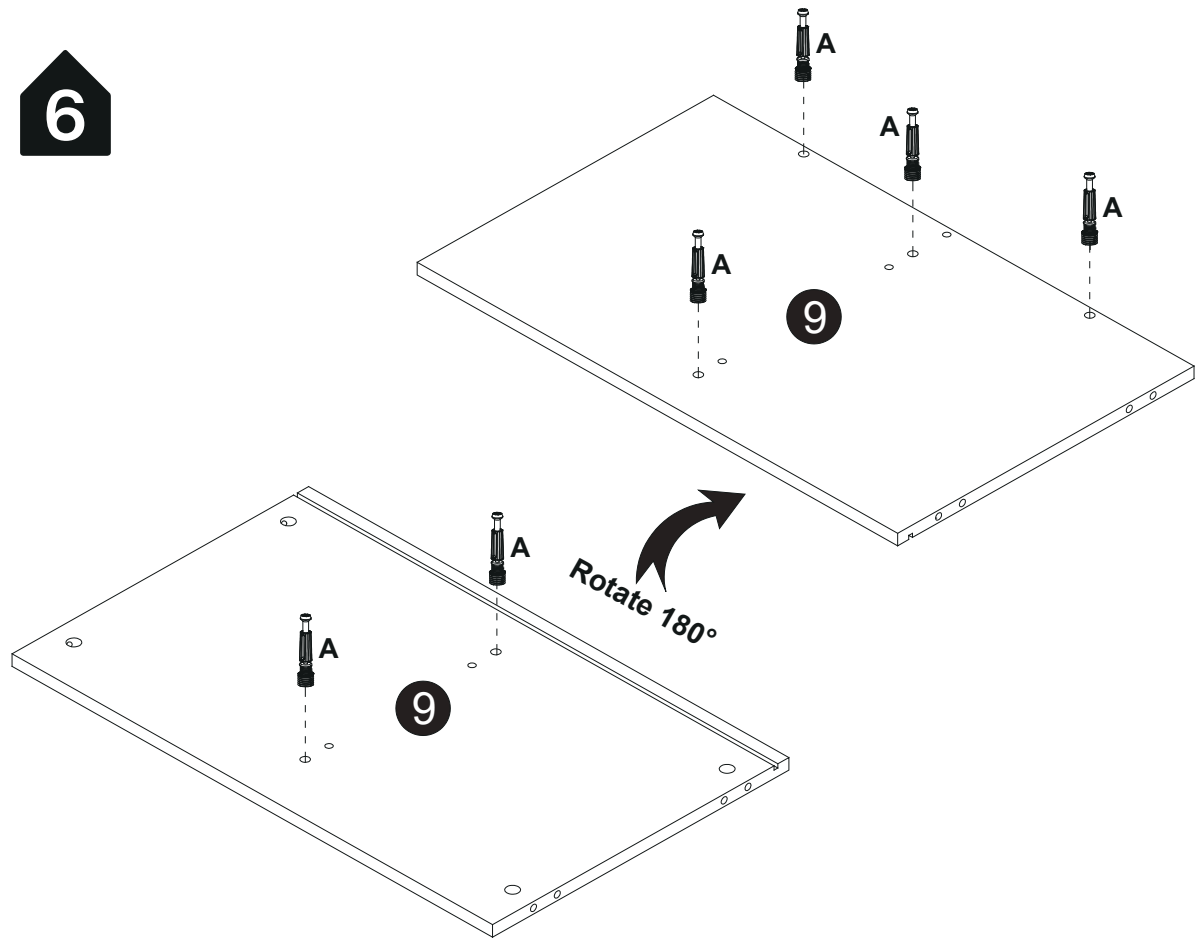
To prevent the table from scratching the floor, please peel off the tape on the #R and tape them to the corners of the table before use.


5




A

M6x40mm
10 pcs

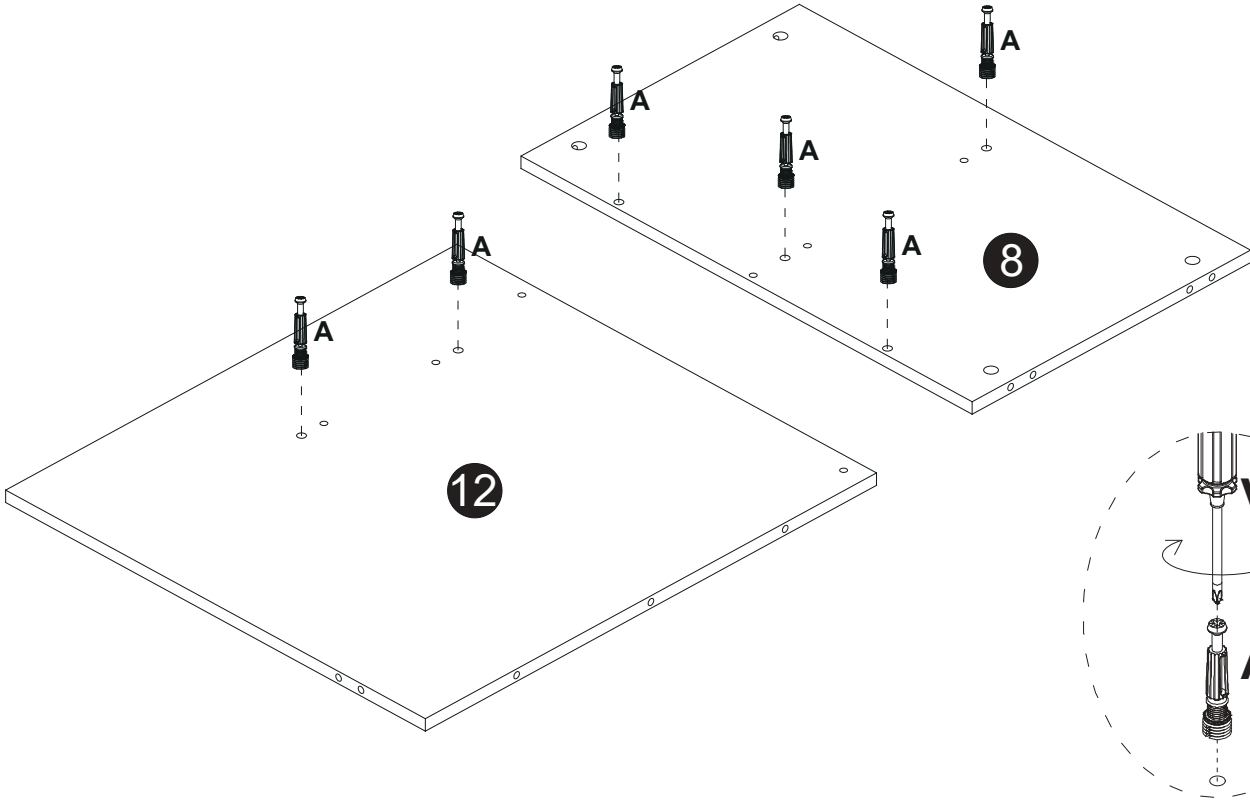
6



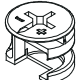
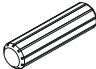
A

M6x40mm
6 pcs

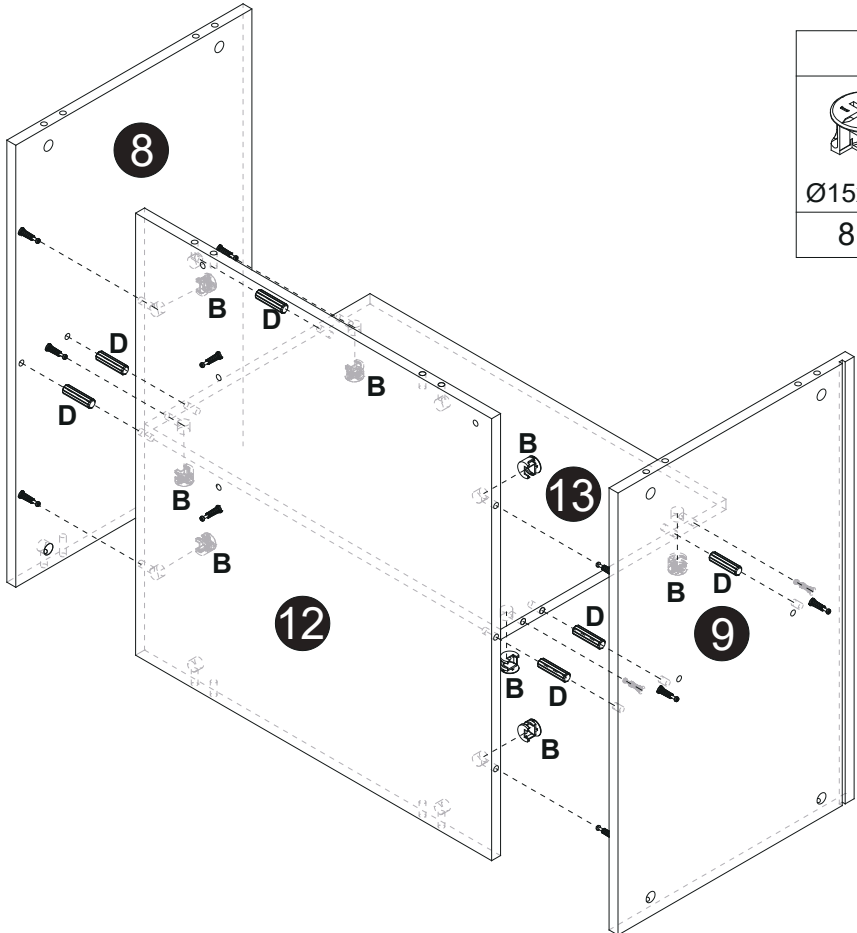
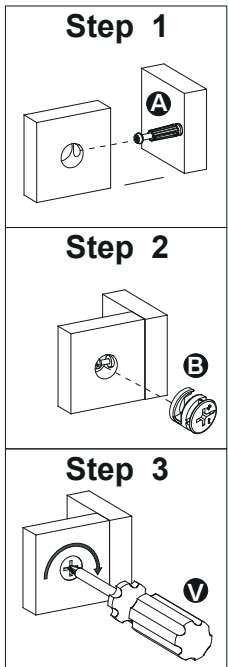
7

A

M6x40mm
6 pcs






8

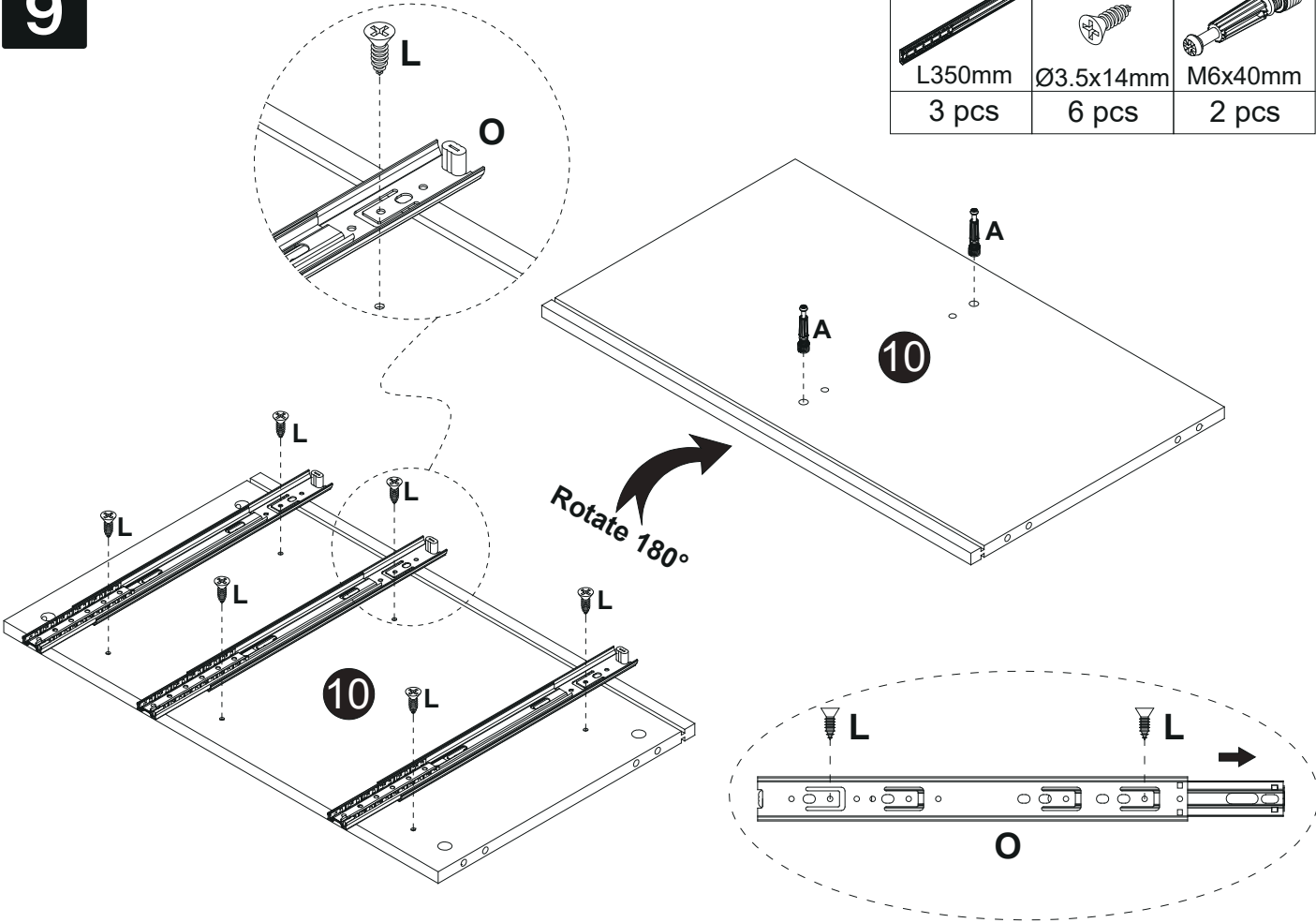
B	D
	
Ø15x12mm	M8x30mm
8 pcs	6 pcs




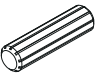
9

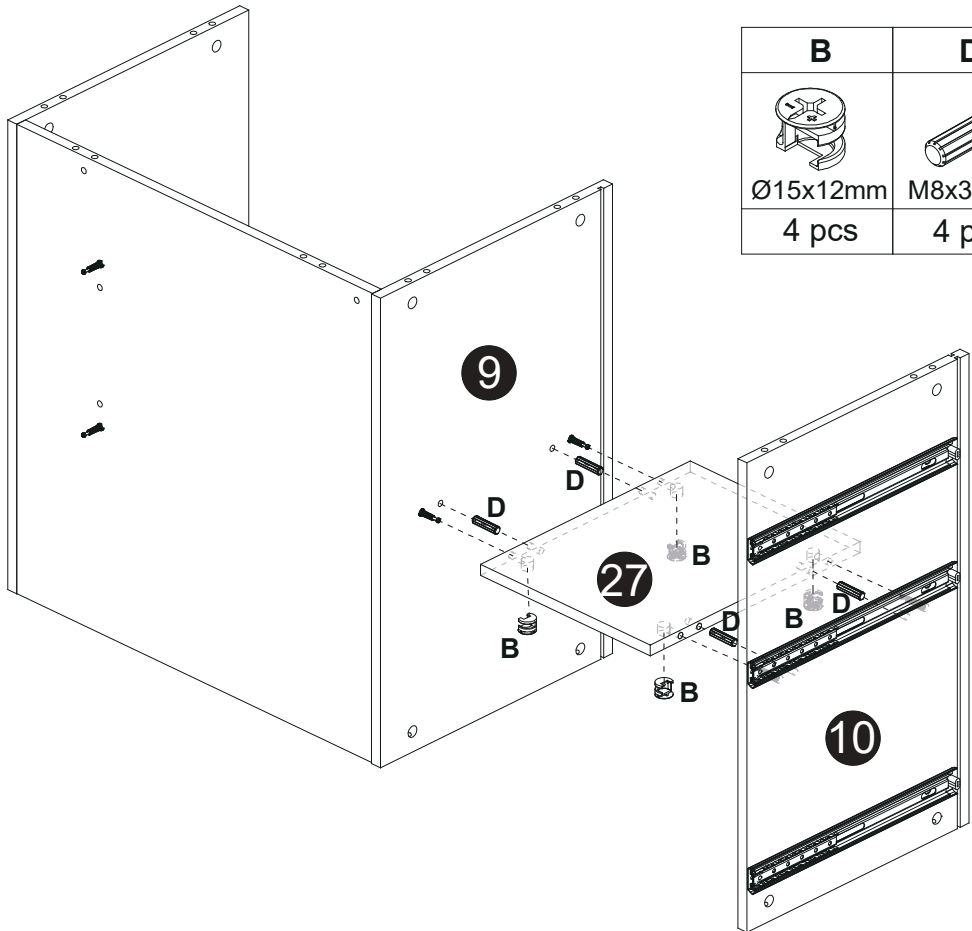
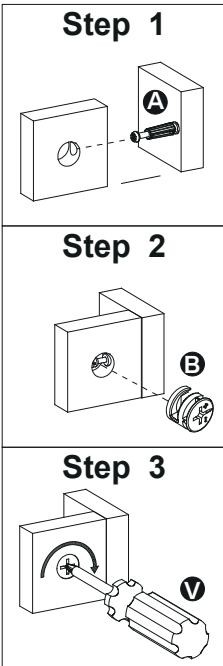
Installation direction

O	L	A
		
L350mm 3 pcs	Ø3.5x14mm 6 pcs	M6x40mm 2 pcs



10

B	D
	
Ø15x12mm 4 pcs	M8x30mm 4 pcs

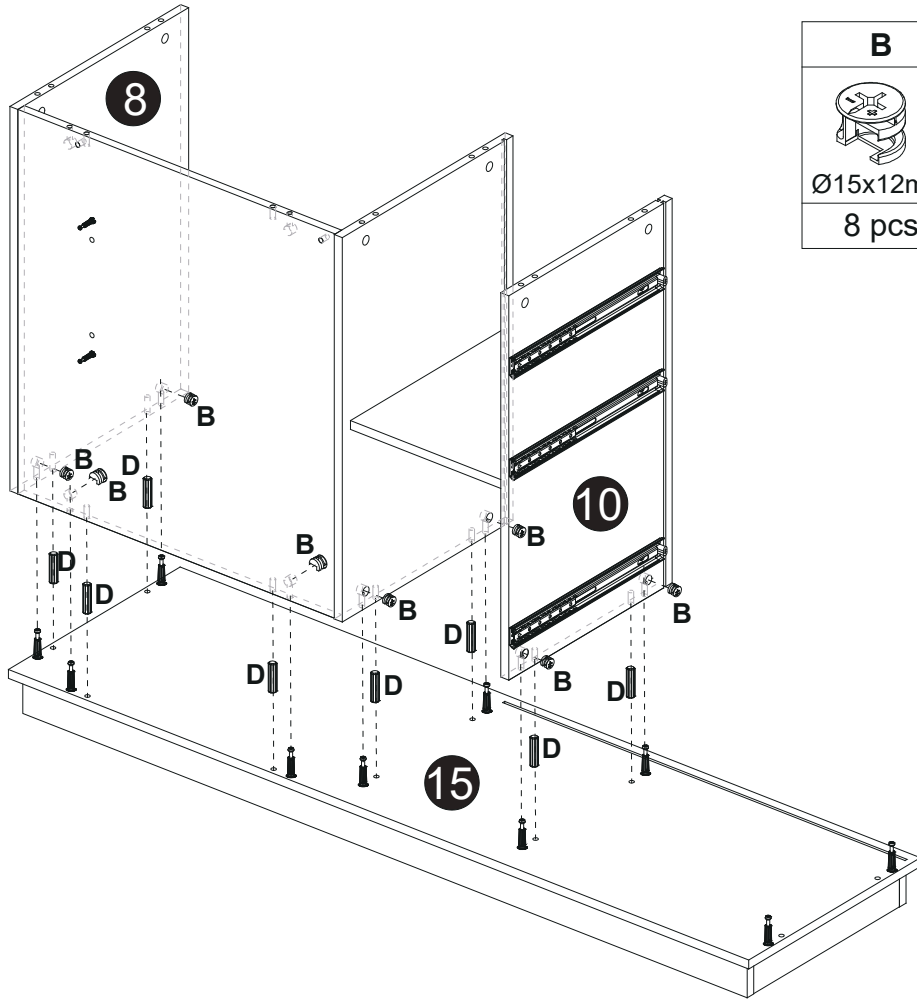


11

Step 1

Step 2

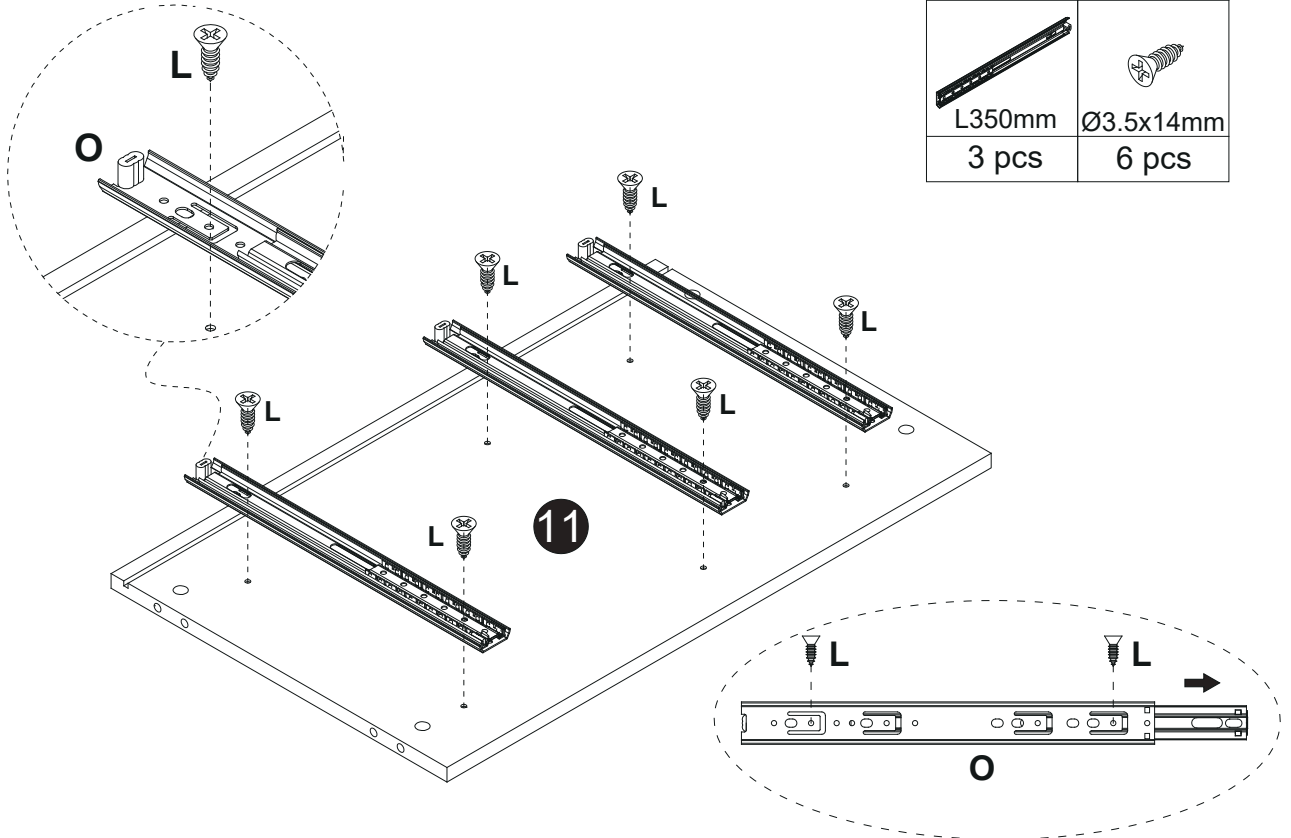
Step 3



B	D
Ø15x12mm	M8x30mm
8 pcs	8 pcs

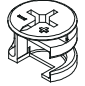
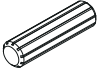
12

⚠ Installation direction

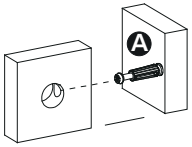


O	L
L350mm	Ø3.5x14mm
3 pcs	6 pcs

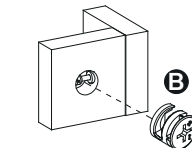
13

B	D
	
Ø15x12mm	M8x30mm
2 pcs	2 pcs

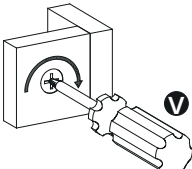
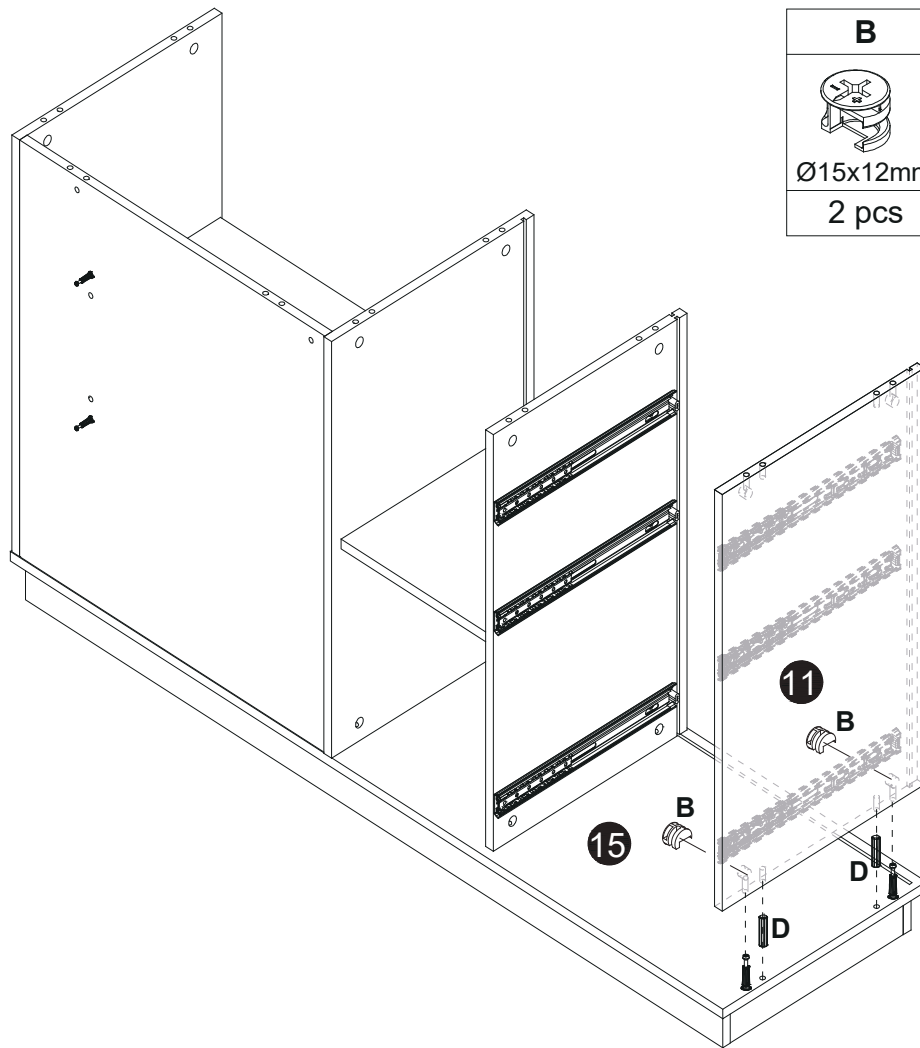
Step 1



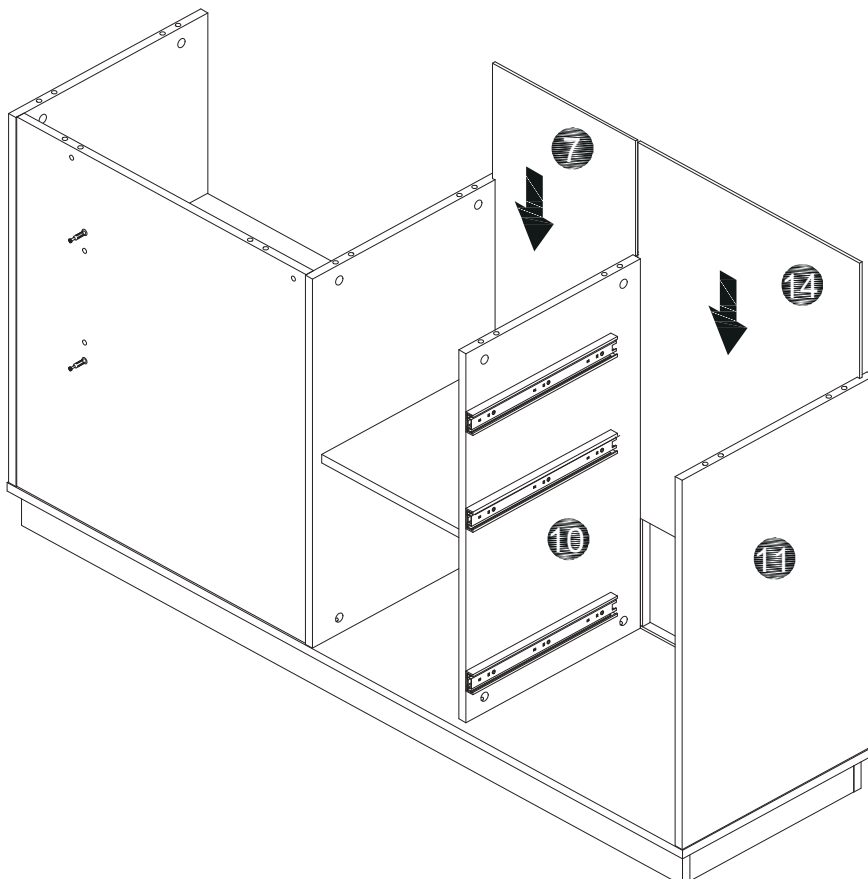
Step 2



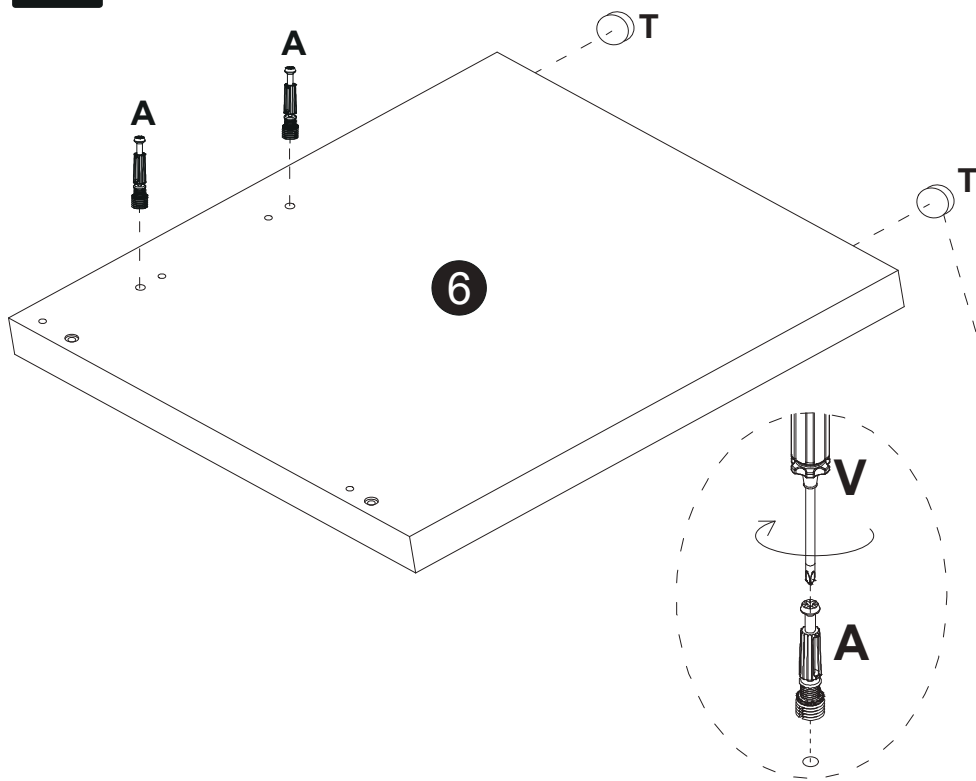
Step 3

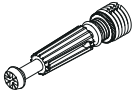




14



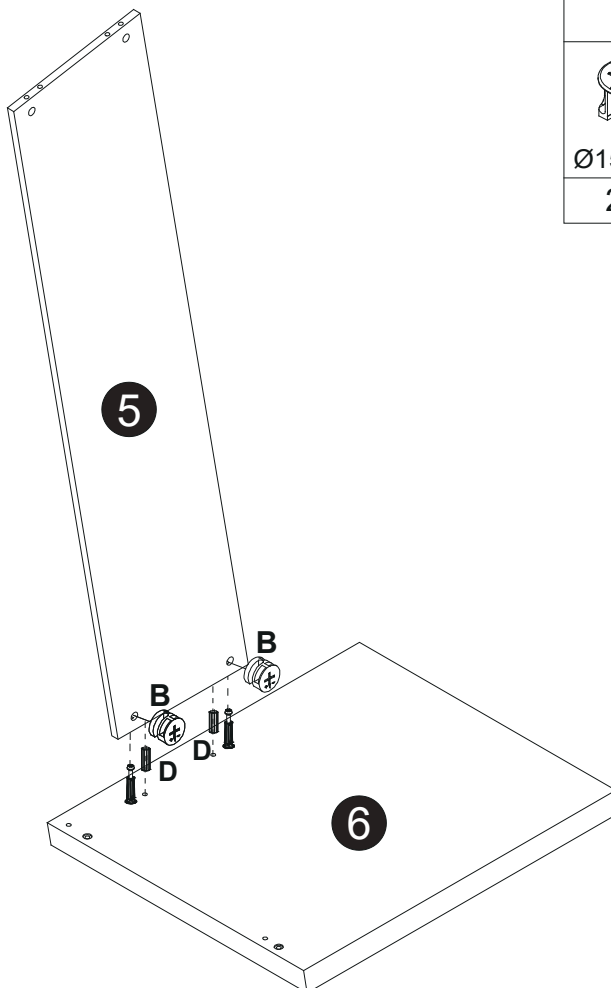
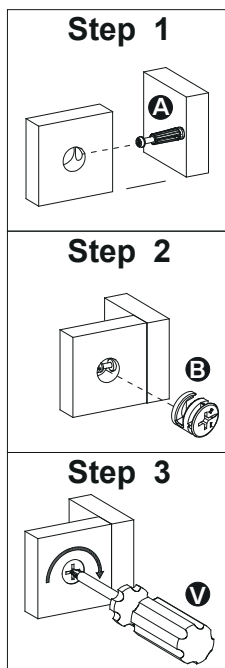
15


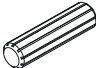


A	T
 M6x40mm	
2 pcs	2 pcs

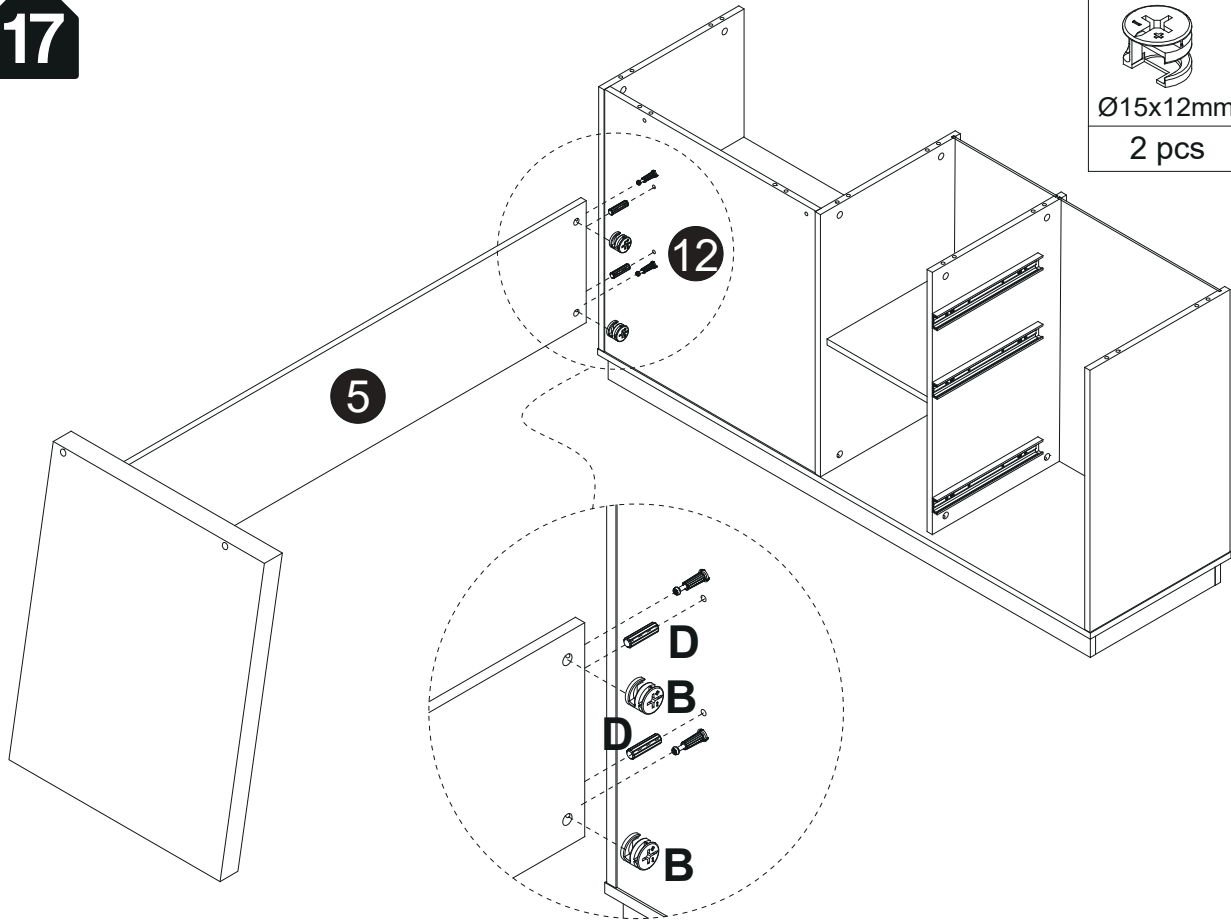
To prevent the table from scratching the floor, please peel off the tape on the #T and tape them to the corners of the table before use.

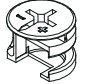
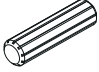
16



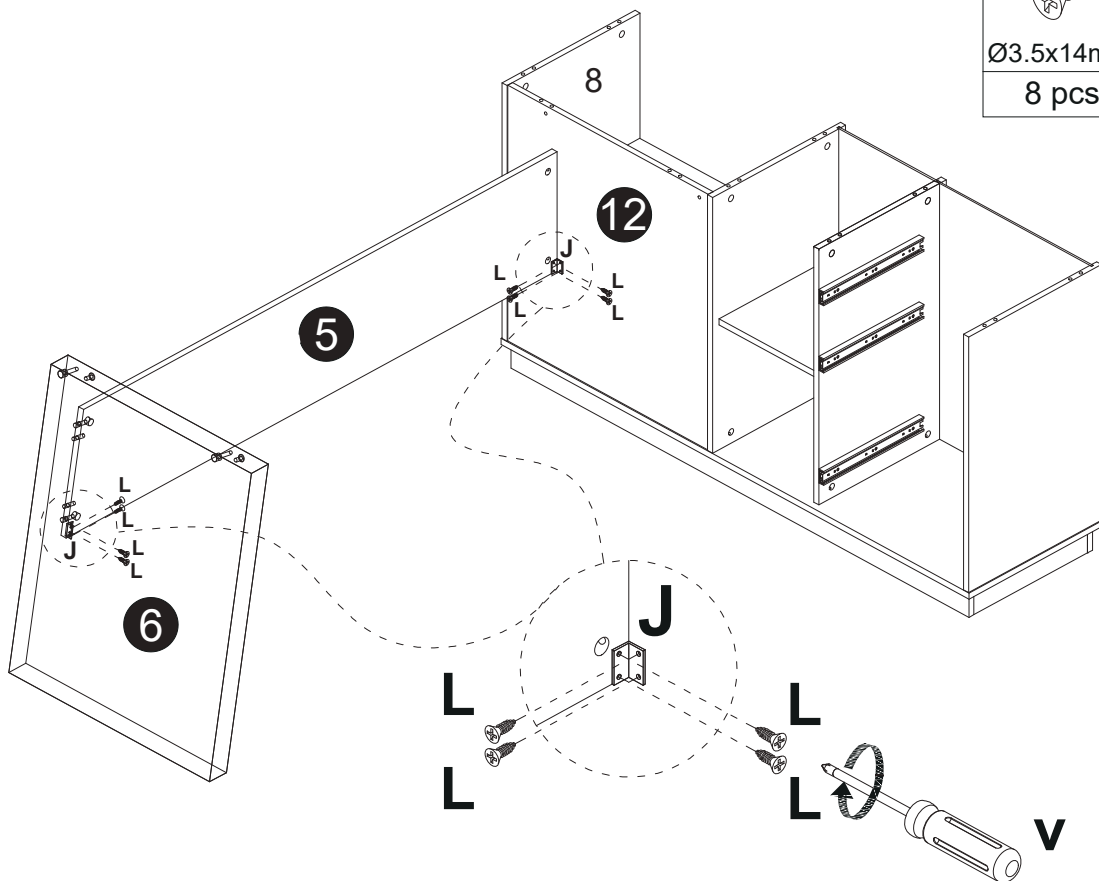
B	D
 Ø15x12mm	 M8x30mm
2 pcs	2 pcs

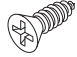
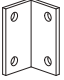
17



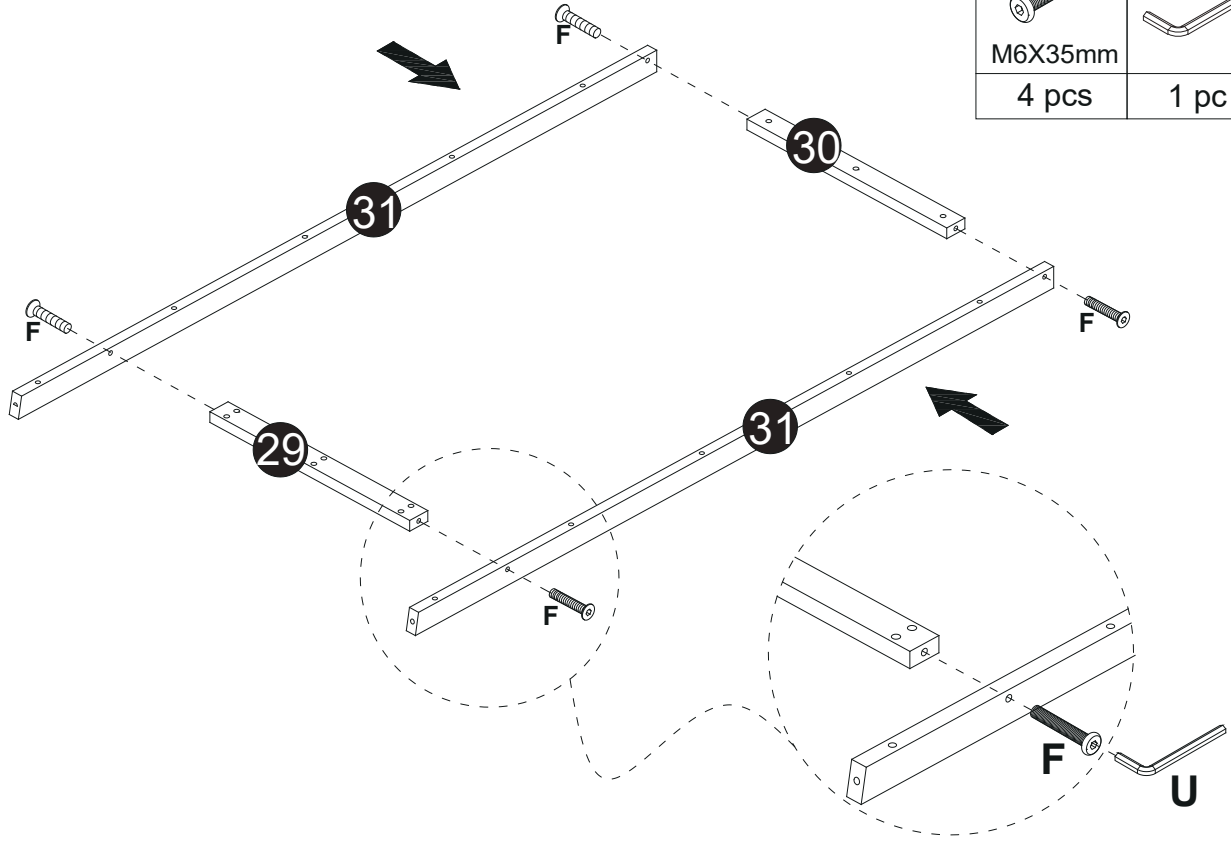
B	D
	
Ø15x12mm	M8x30mm
2 pcs	2 pcs

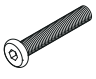
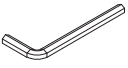
18



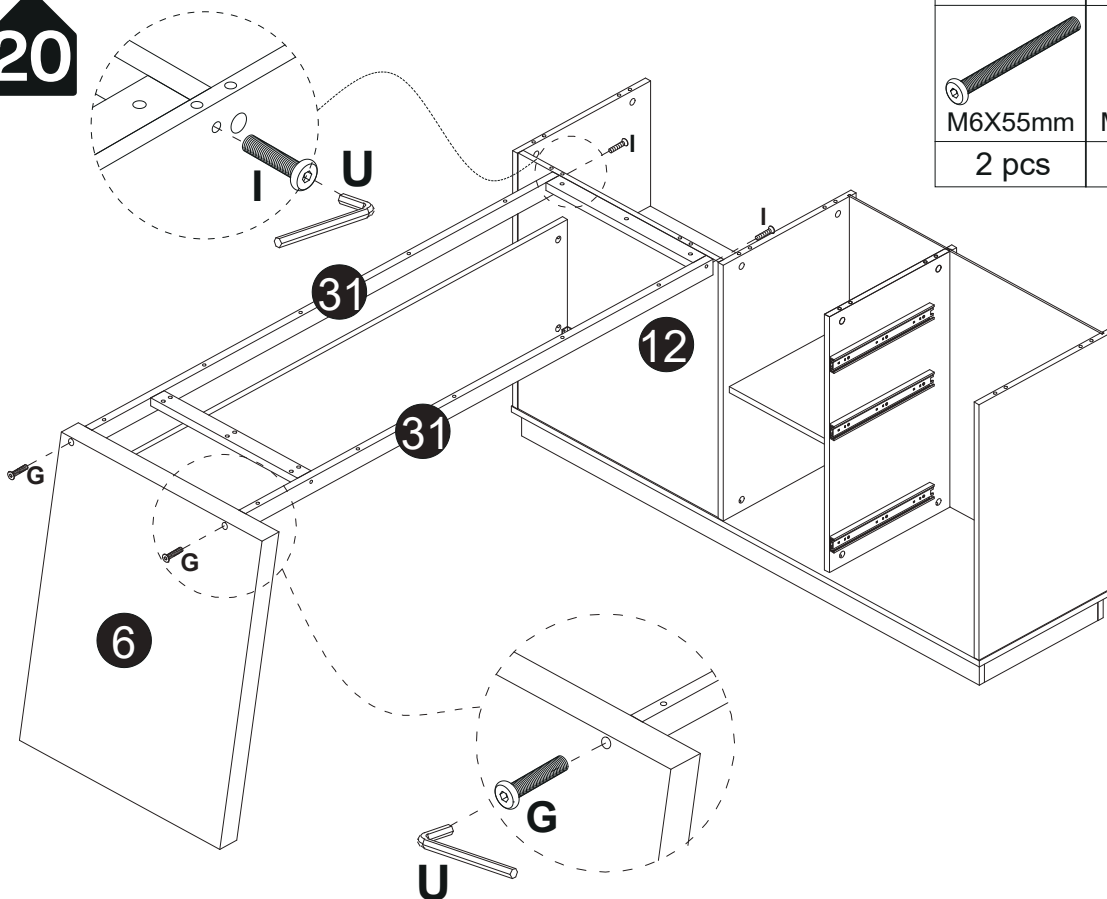
L	J
	
Ø3.5x14mm	
8 pcs	2 pcs


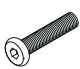

19




F	U
	
M6X35mm	
4 pcs	1 pc

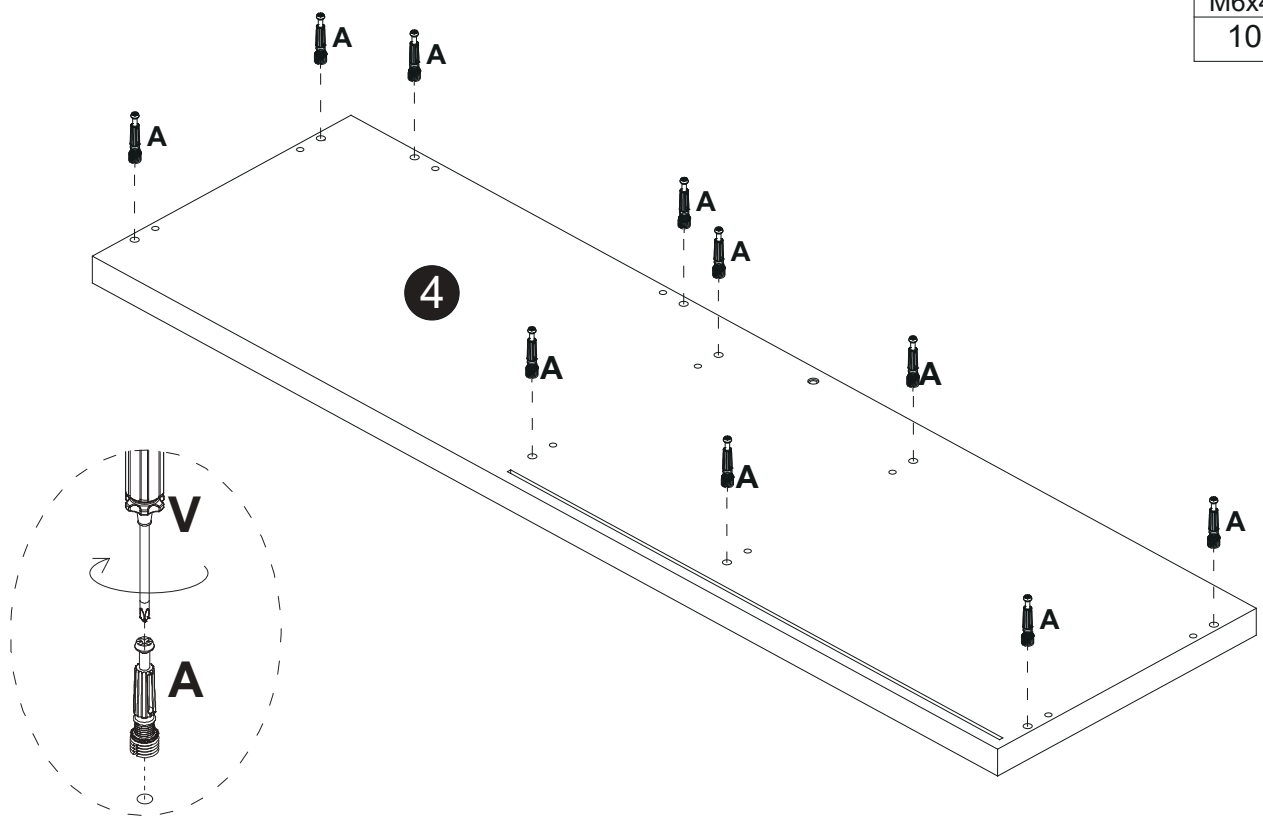
20



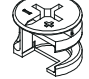

G	I	U
		
M6X55mm	M6X30mm	
2 pcs	2 pcs	1 pc

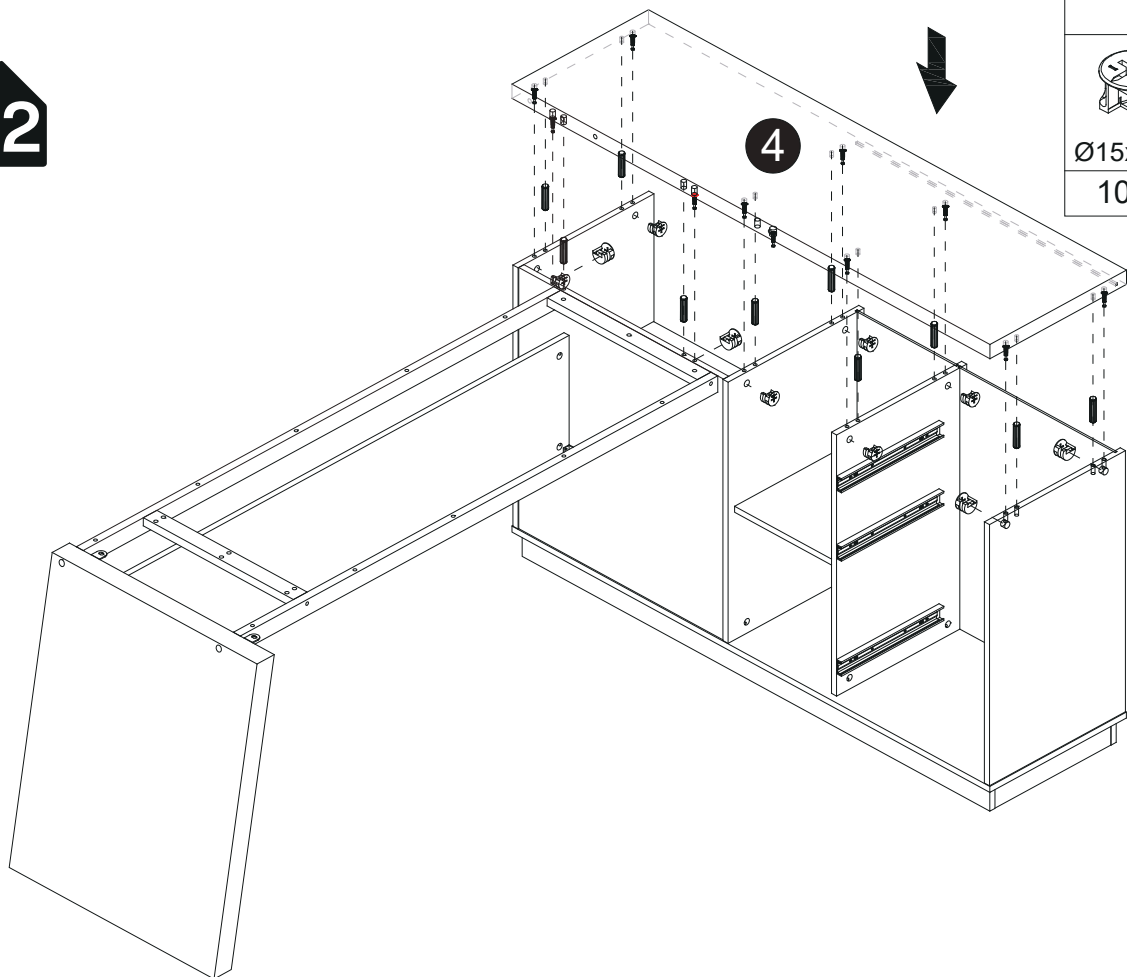
21

A

M6x40mm
10 pcs

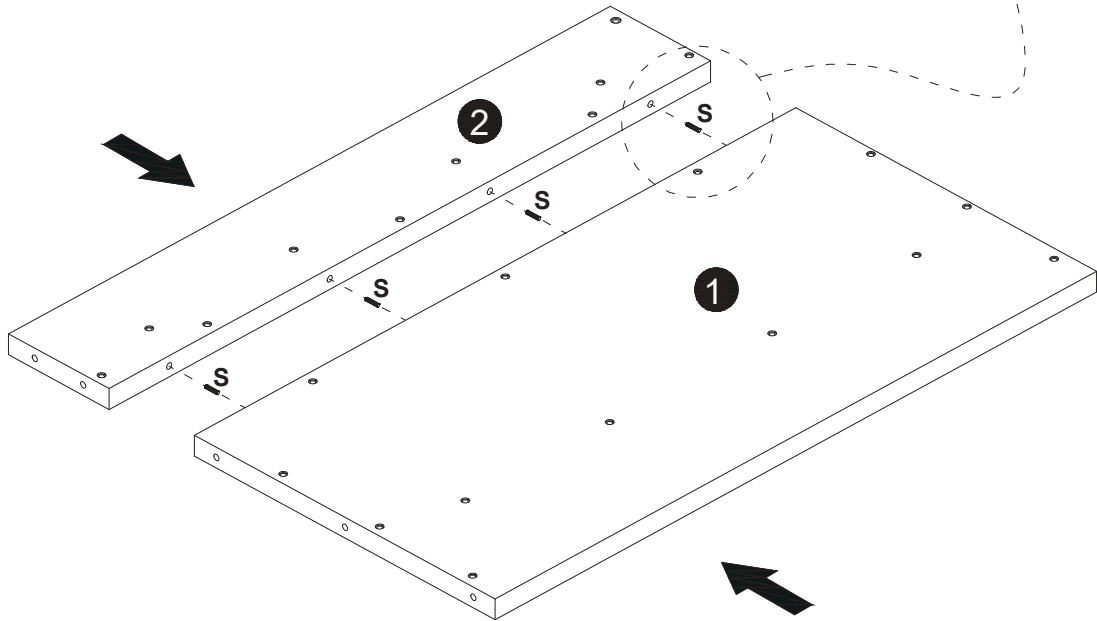


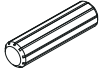
22

B	D
	
Ø15x12mm	M8x30mm
10 pcs	10 pcs

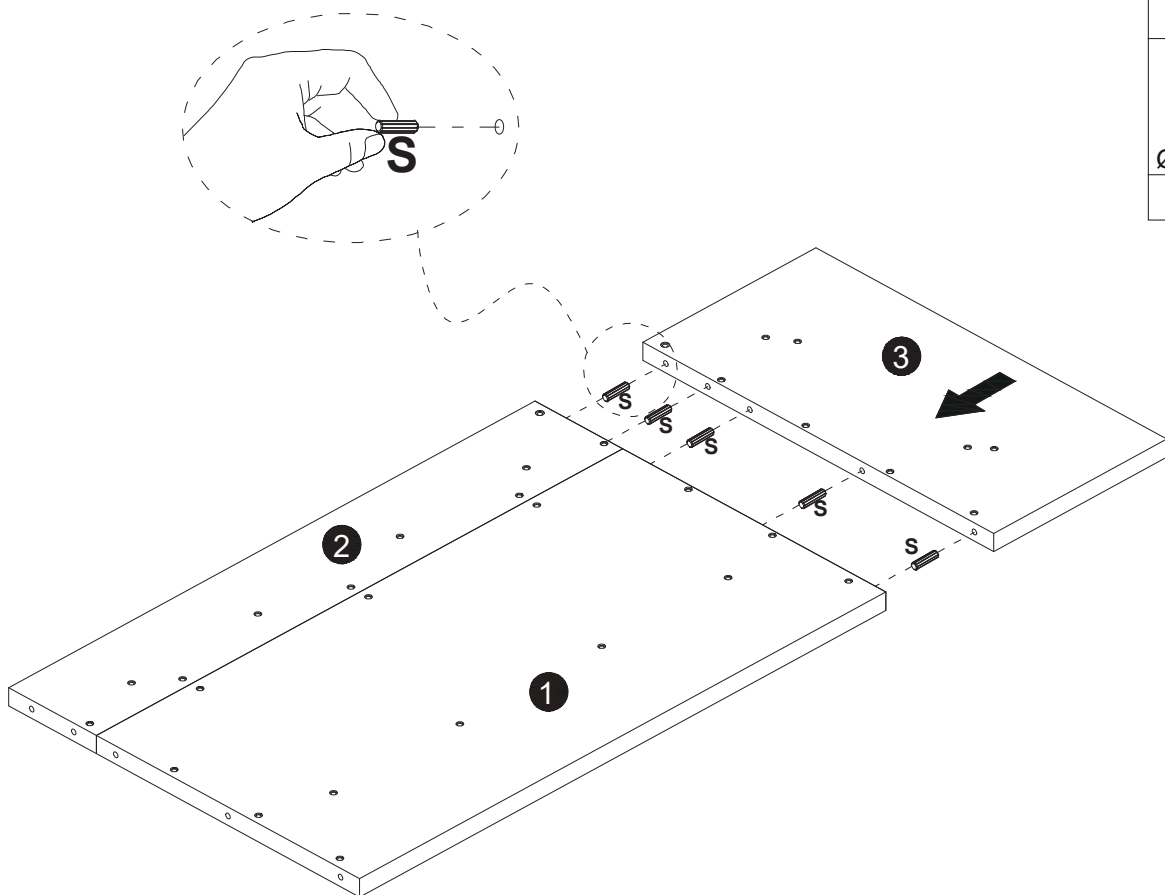


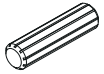
23



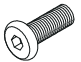

S

Ø10x40mm
4 pcs

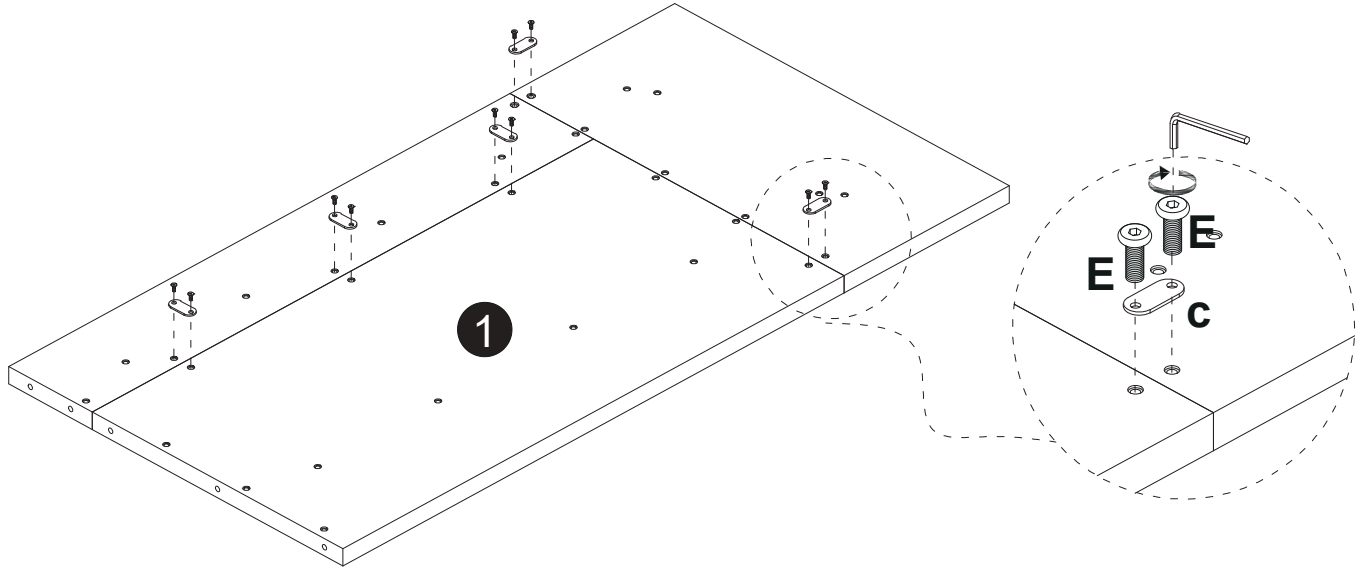
24



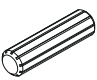
S

Ø10x40mm
5 pcs

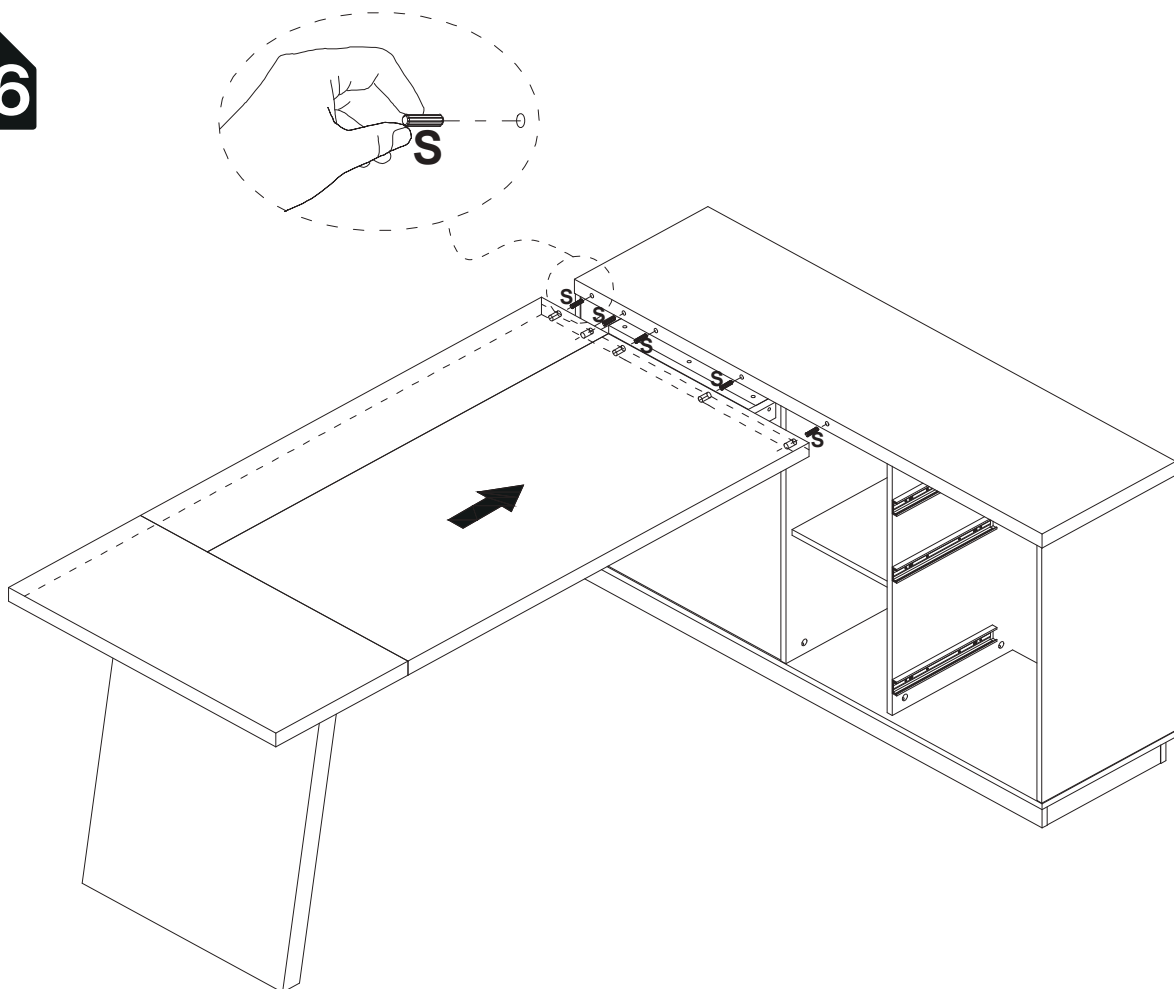
25

E	C
	
M6x16mm	
10 pcs	5 pcs



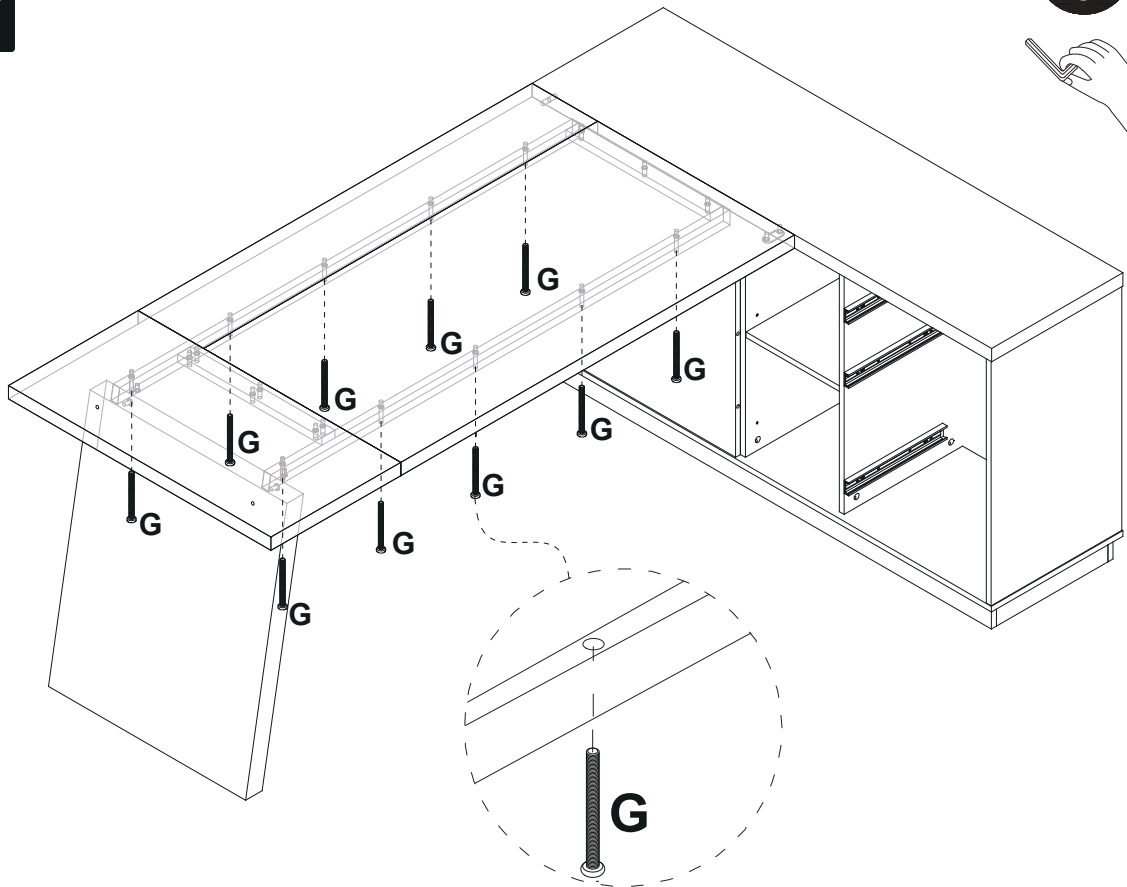
26

S

Ø10x40mm
5 pcs



27

pre-drill 70%



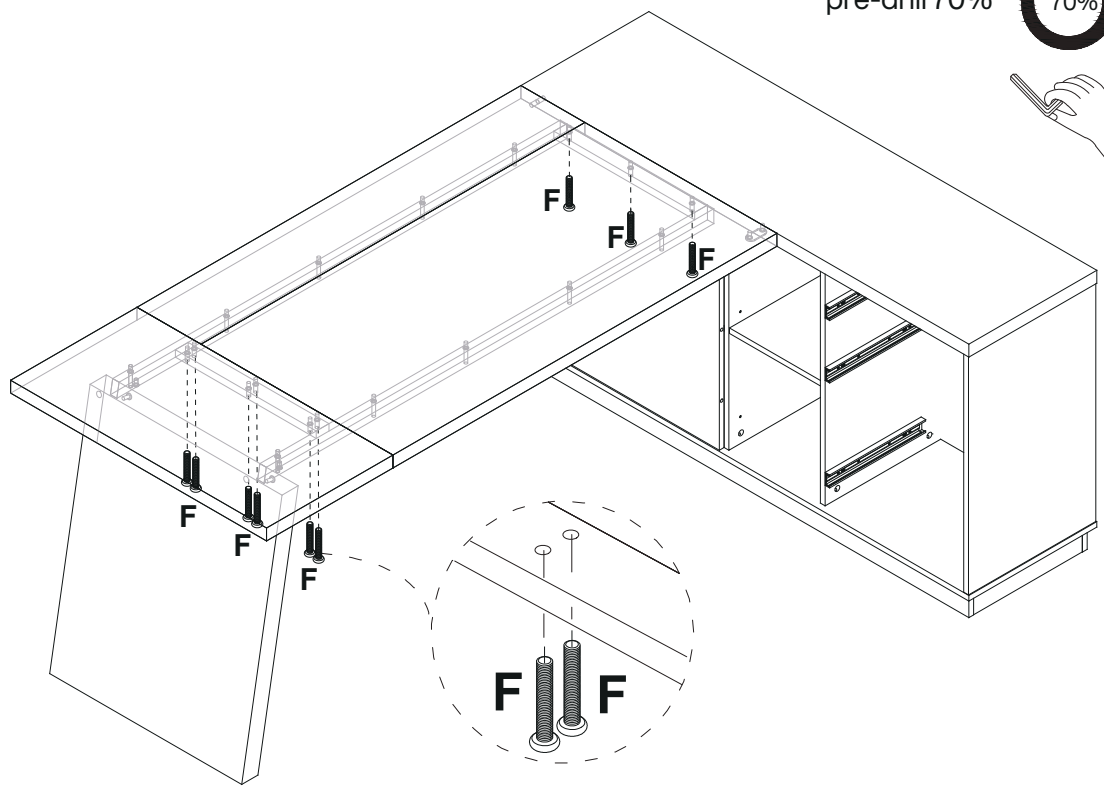
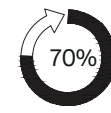
G

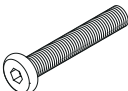
M6x55mm
10 pcs

⚠ Screw M6X55mm

28

pre-drill 70%



F

M6x35mm
9 pcs

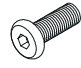

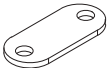
⚠ Screw M6X35mm

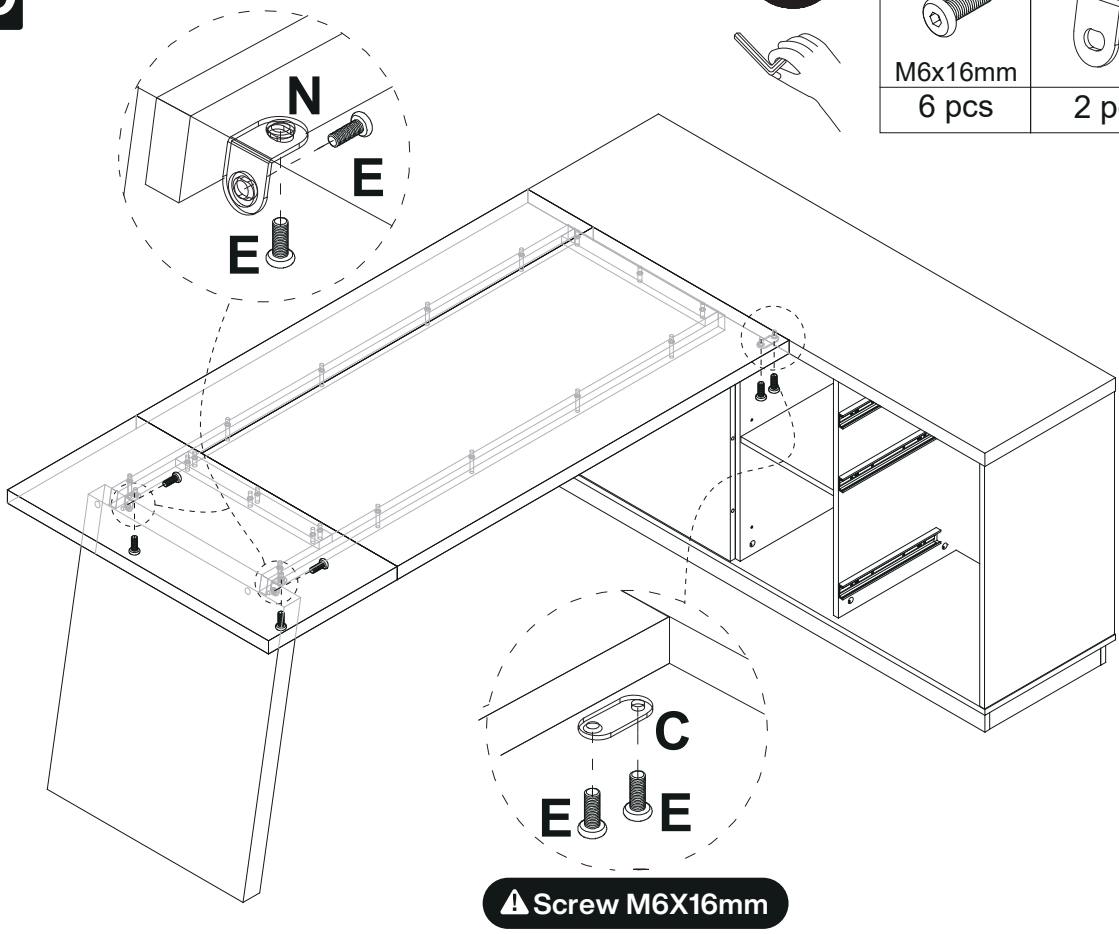
29

⚠ Screw M6X16mm

pre-drill 70%



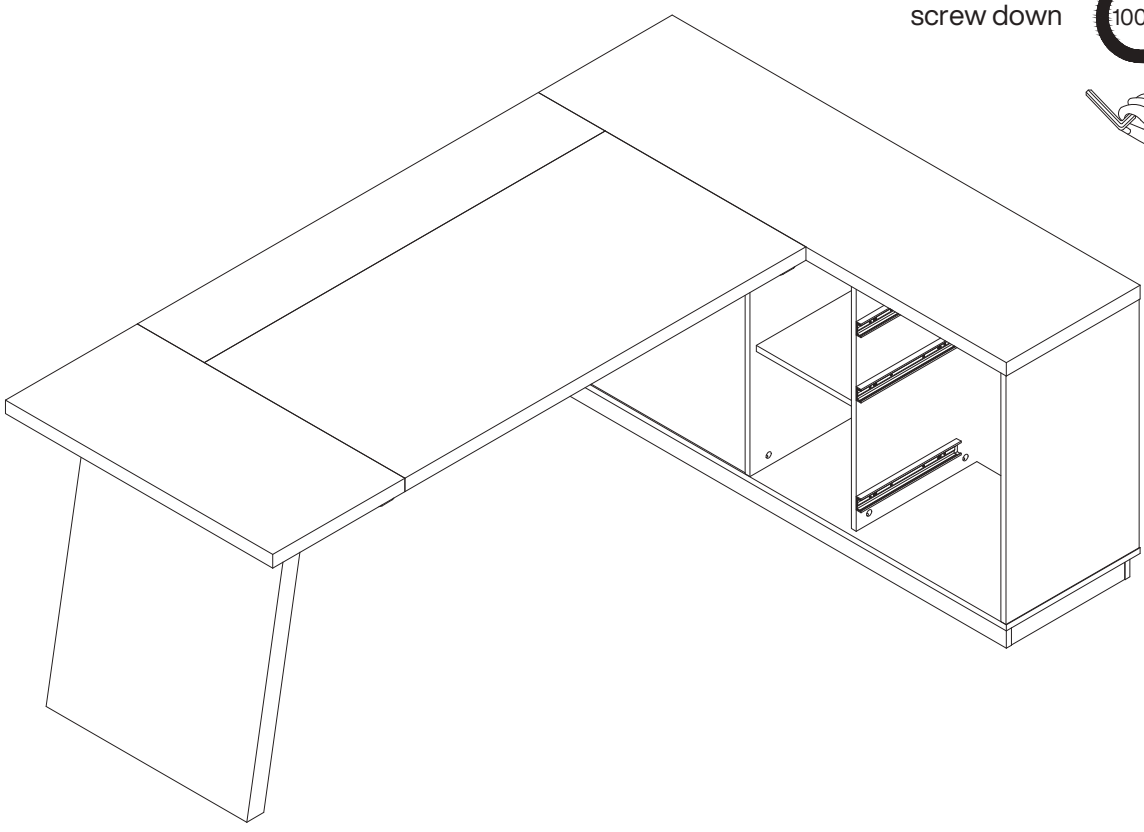
E	N	C
		
M6x16mm 6 pcs	2 pcs	1 pc



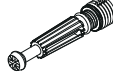
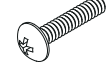
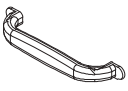
⚠ Screw M6X16mm

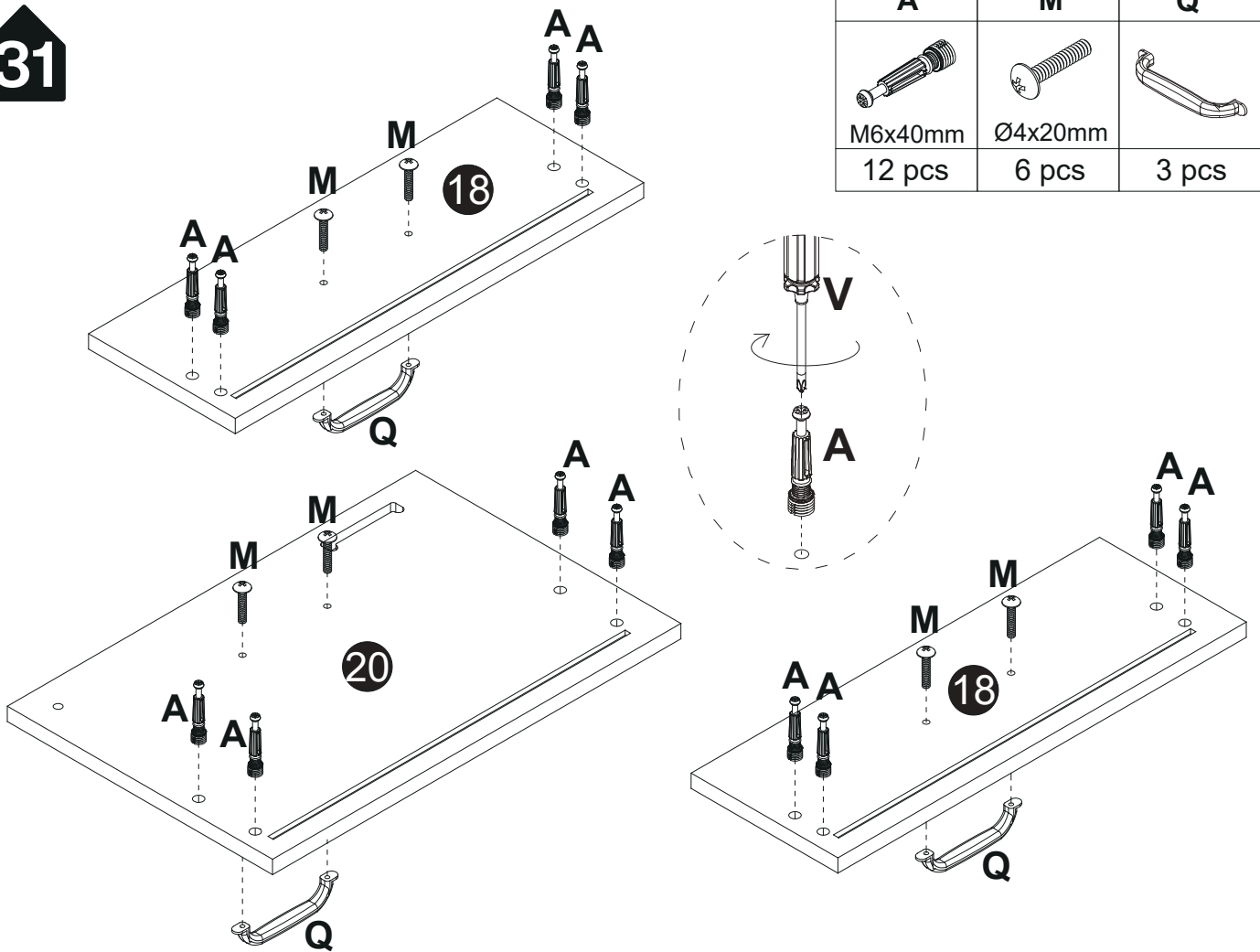
30

screw down

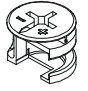


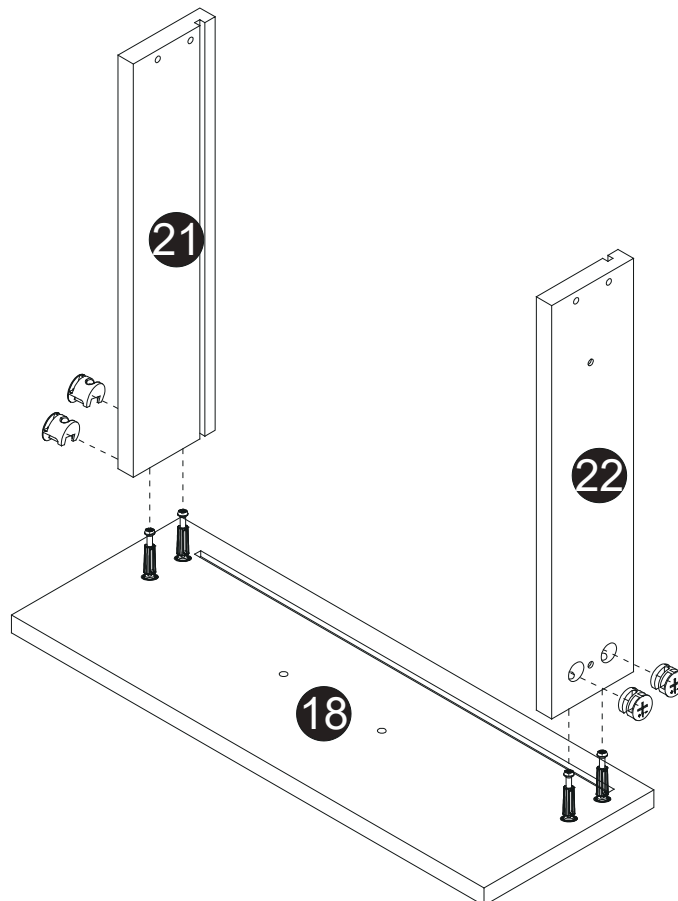
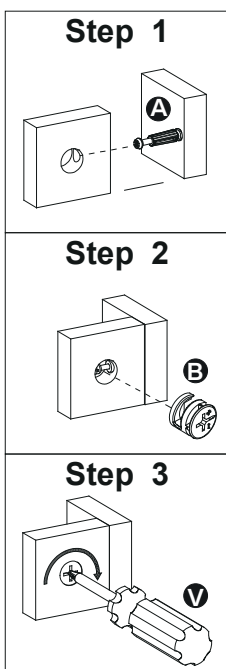
31

A	M	Q
		
M6x40mm	Ø4x20mm	
12 pcs	6 pcs	3 pcs



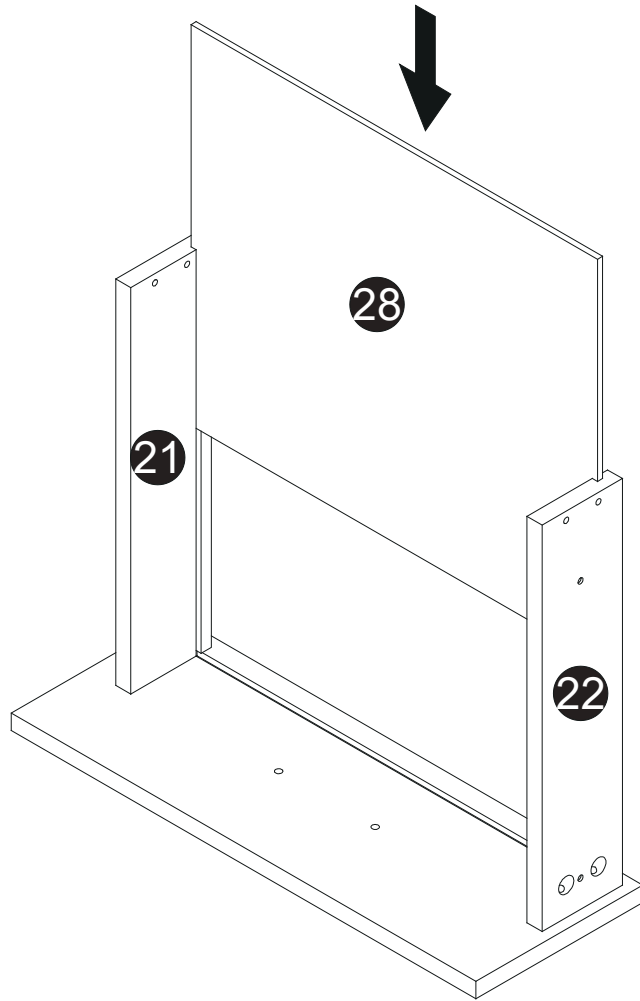
32

B

Ø15x12mm
8 pcs



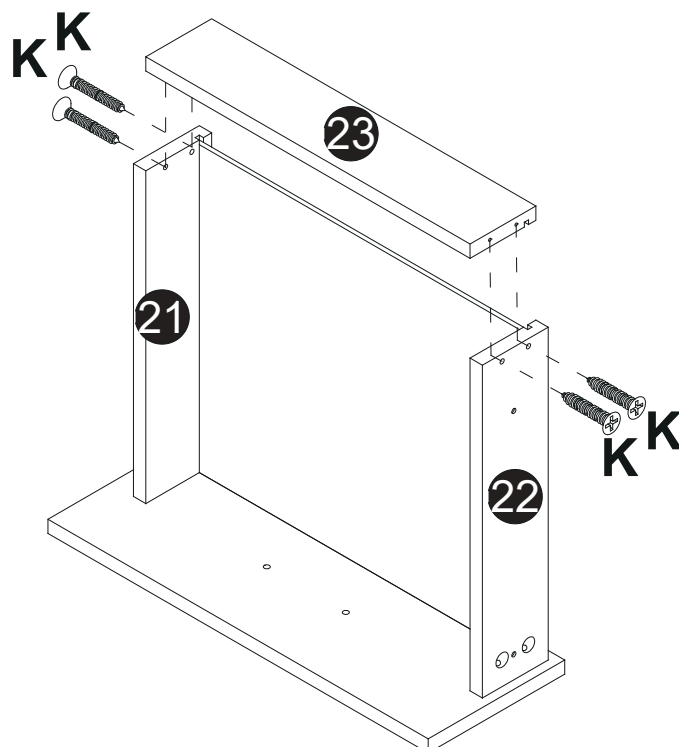
x2

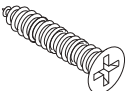
33



x2

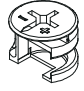
34

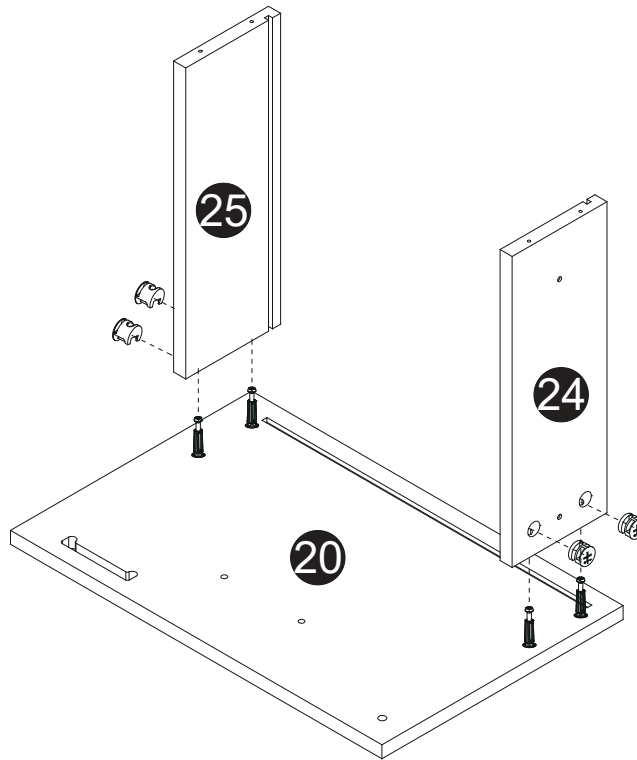
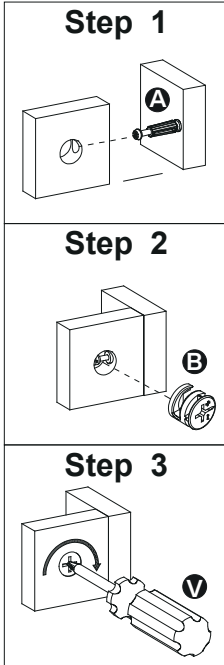


K

Ø3.5x35mm
8 pcs

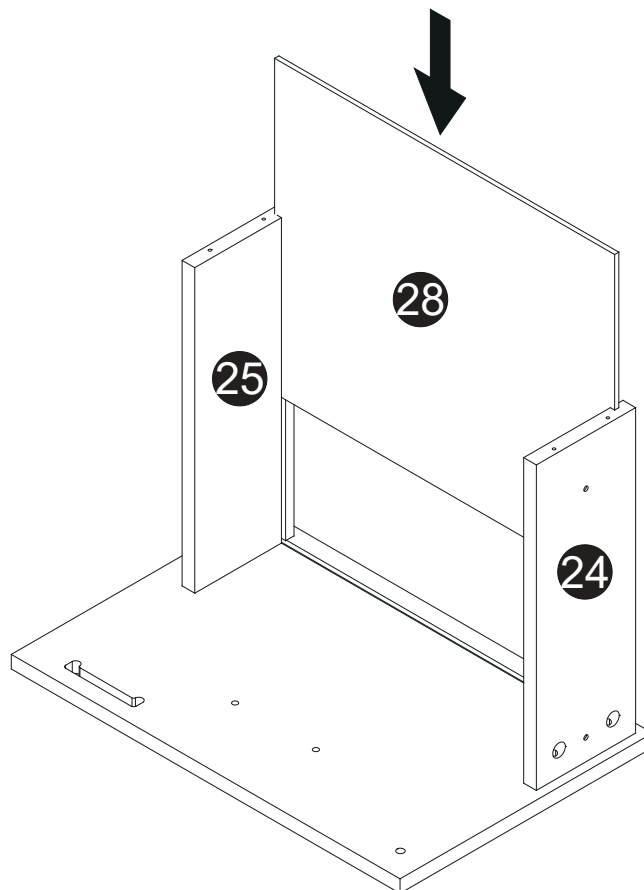
x2

35

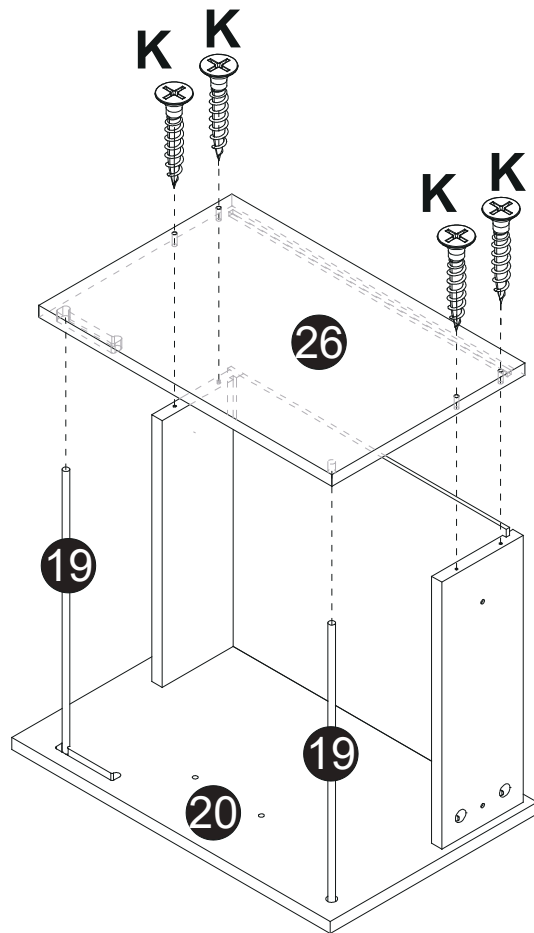
B

Ø15x12mm
4 pcs

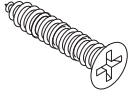


36

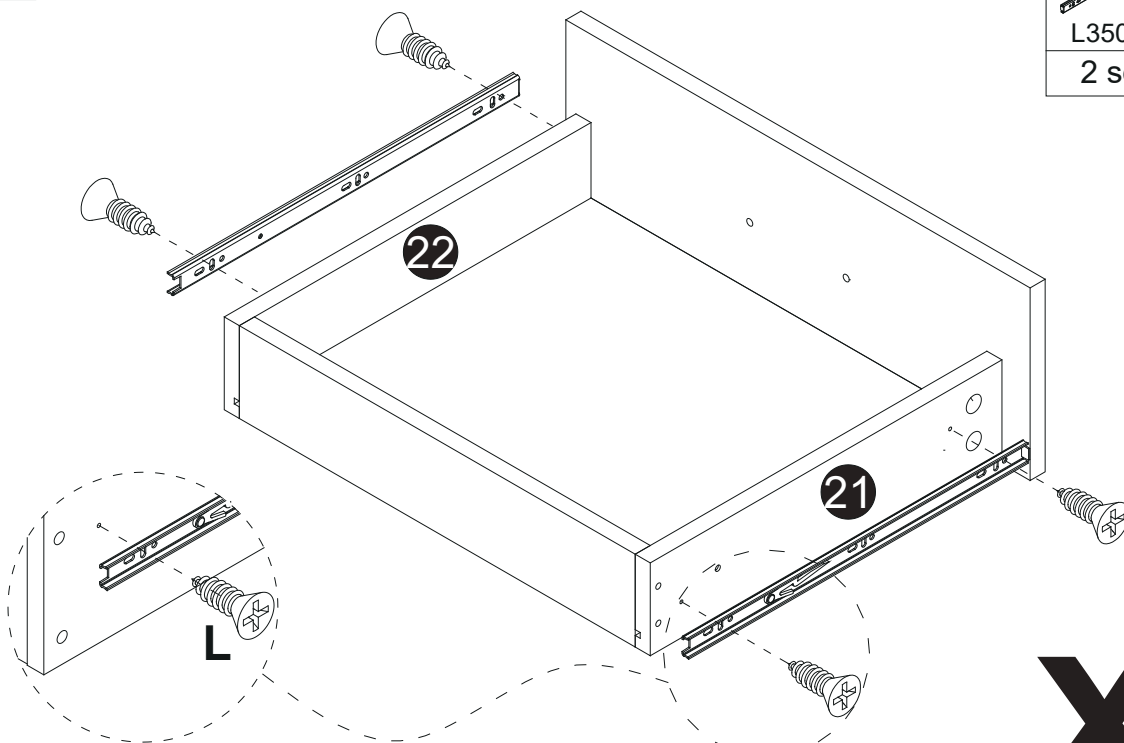



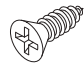
37



K

Ø3.5x35mm
4 pcs

38

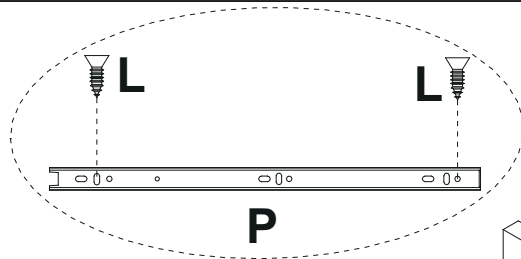




P	L
	
L350mm	Ø3.5x14mm
2 sets	8 pcs

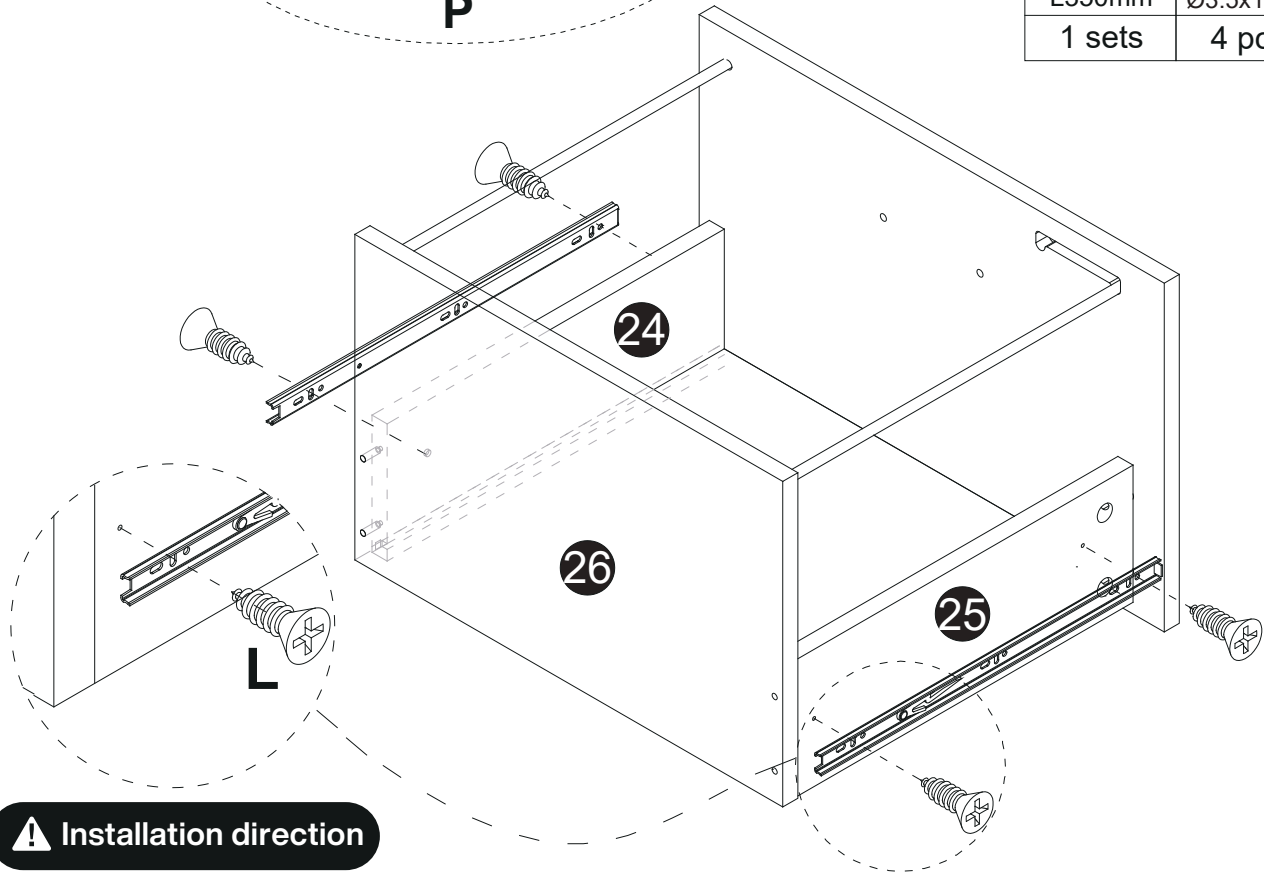
x2

 Installation direction

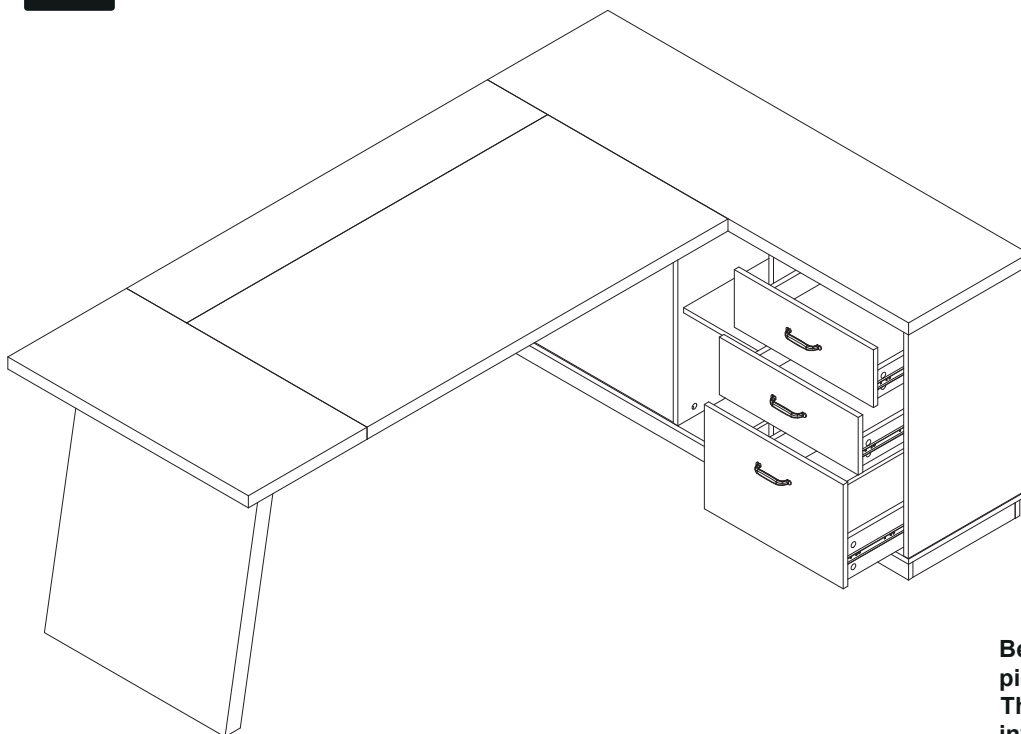
39



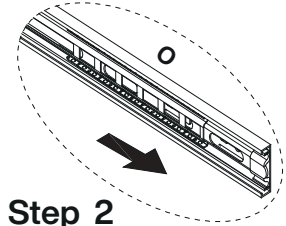
P	L
	
L350mm	Ø3.5x14mm
1 sets	4 pcs



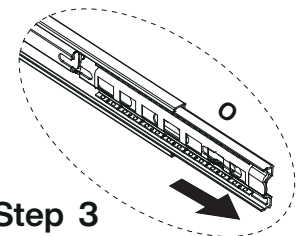
40



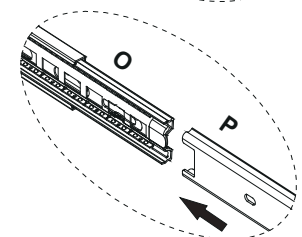
Step 1



Step 2



Step 3



Before installation, slide the inner iron pieces of #O to the outermost side. Then align it with #P and gently push it inward to complete the slide installation.

Thank you for your support!

