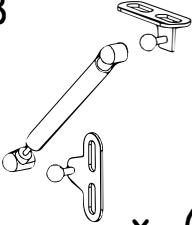
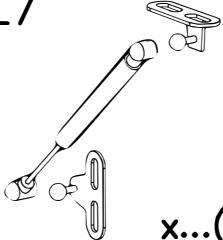

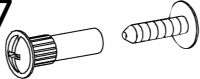

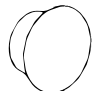
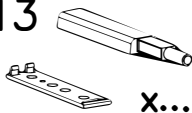
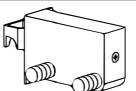
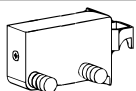
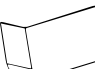
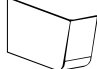



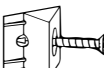

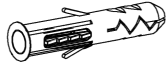
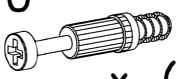
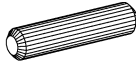
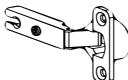
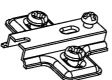

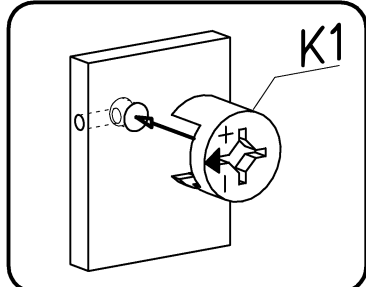
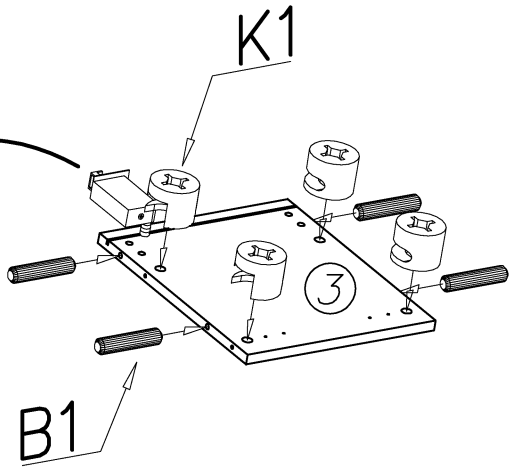
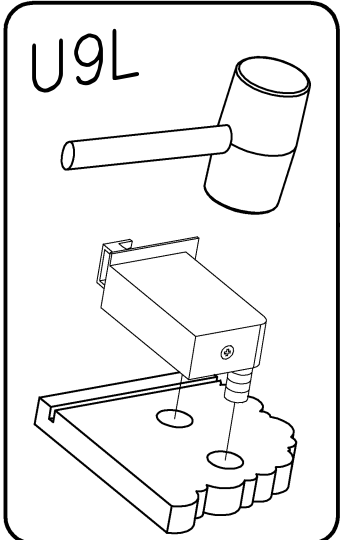
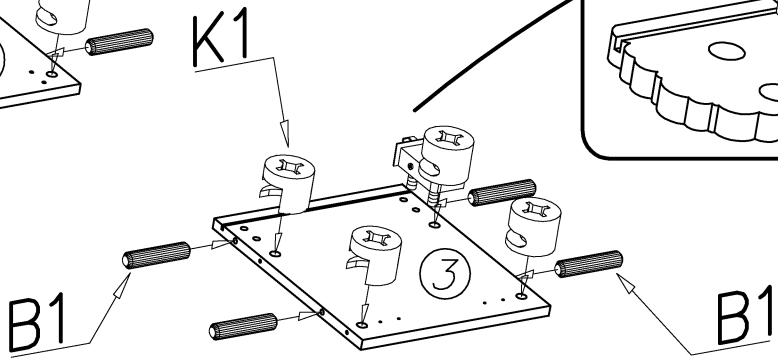
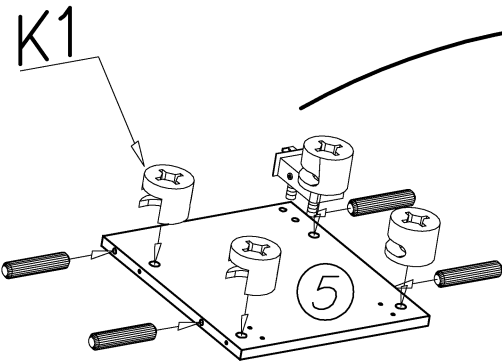
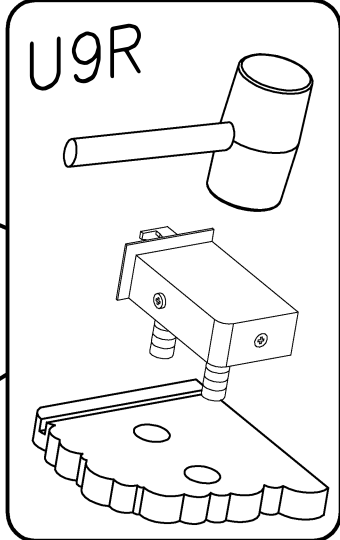
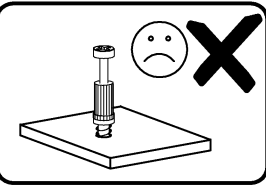
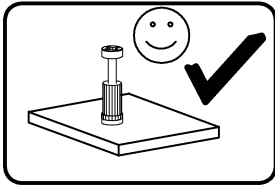
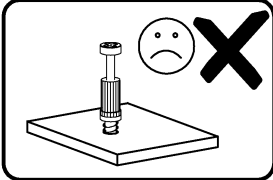
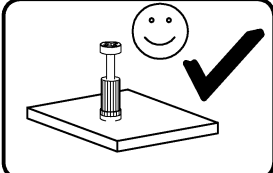
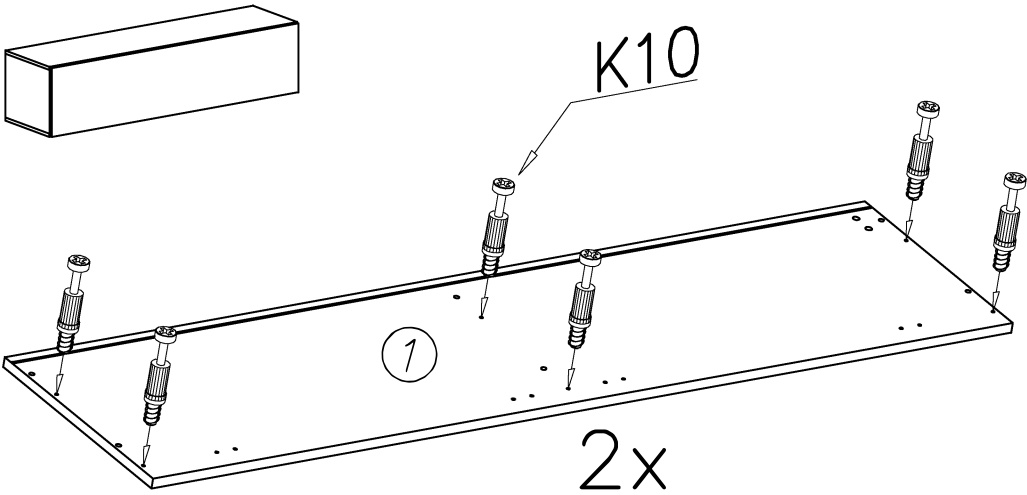
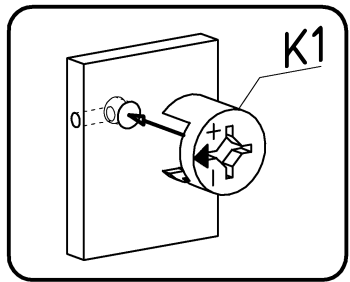
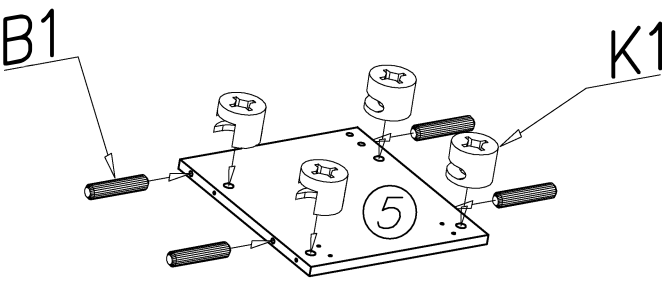
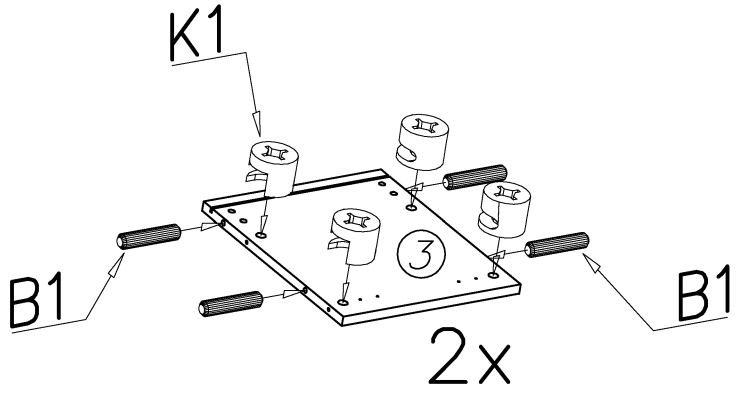
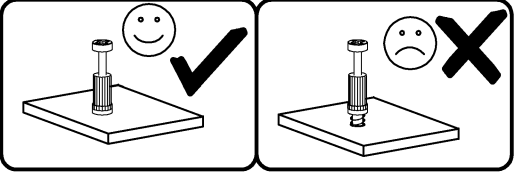
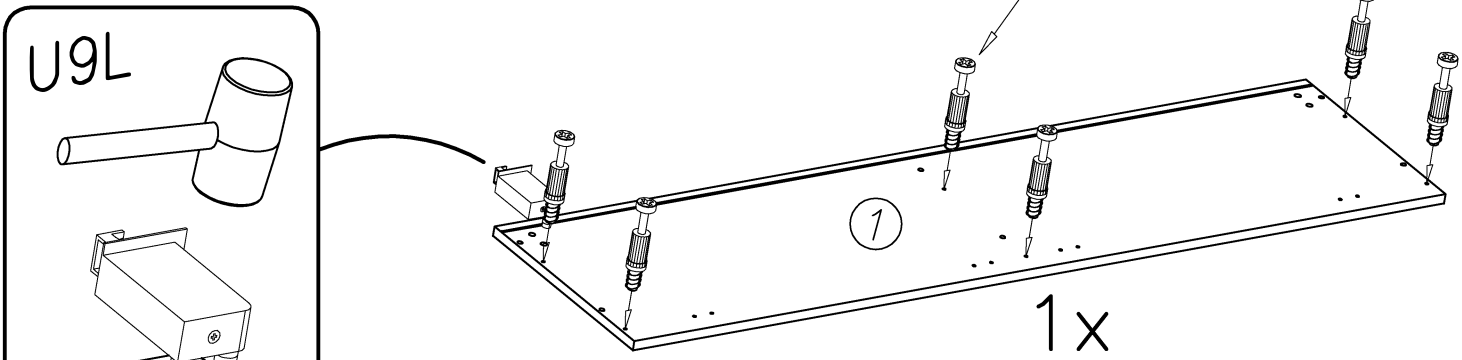
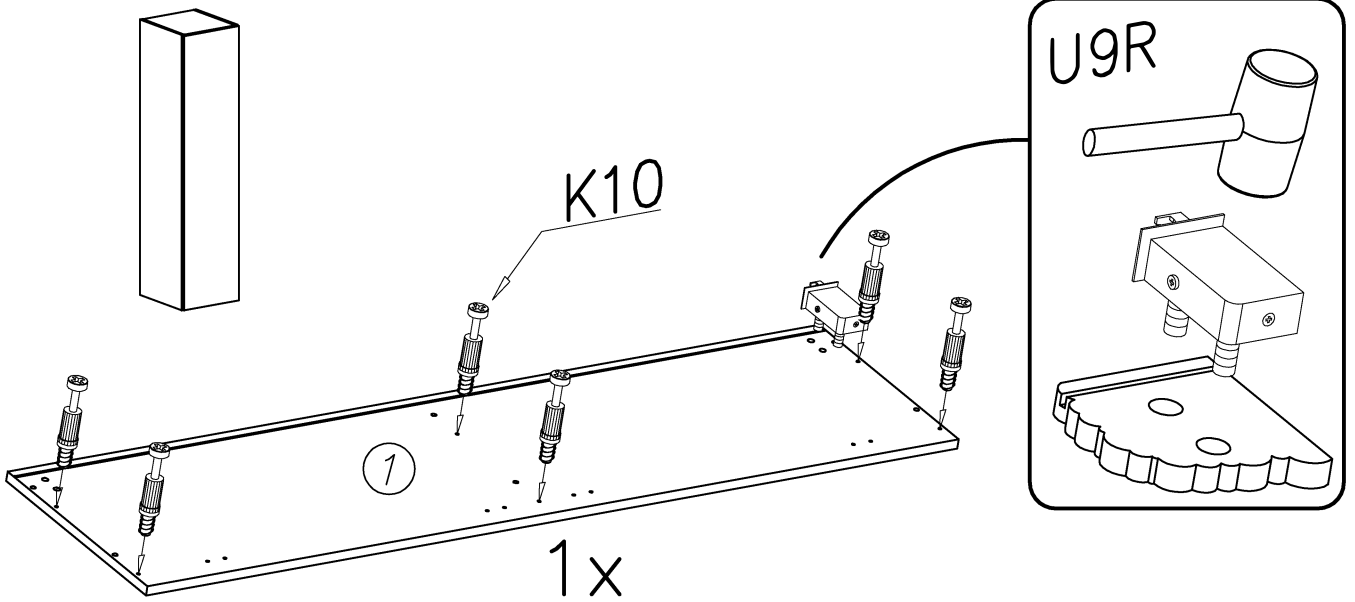


| | | | | |
|---------------------------------------------------------------------------------------------------------------------|--------------------------------------------------------------------------------------------------------------------|----------------------------------------------------------------------------------------------------------------------|--------------------------------------------------------------------------------------------------------------------------|-----------------------------------------------------------------------------------------------------------------------|
| L8  x...(2) | L7  x...(2) | G32  3,5x16 x...(16) | N7  M4x15 x...(2) | |
| | | I4  ø5 x...(12) | I10  ø10 x...(12) | L13  x...(2) |
| U9L  x...(1) | U9R  x...(2) | U10L  x...(1) | U10R  x...(2) | U7  x...(3) |
| K1  ø15x12 x...(12) | I7  x...(12) | I1  x...(6) | G57  3,5x16 x...(4) | U8  ø10x60 x...(3) |
| K10  x...(12) | B1  ø8x35 x...(12) | C3  Z35PR x...(3) | D3  PZ35PR x...(3) H=2 | G34  3,5x16 x...(9) |

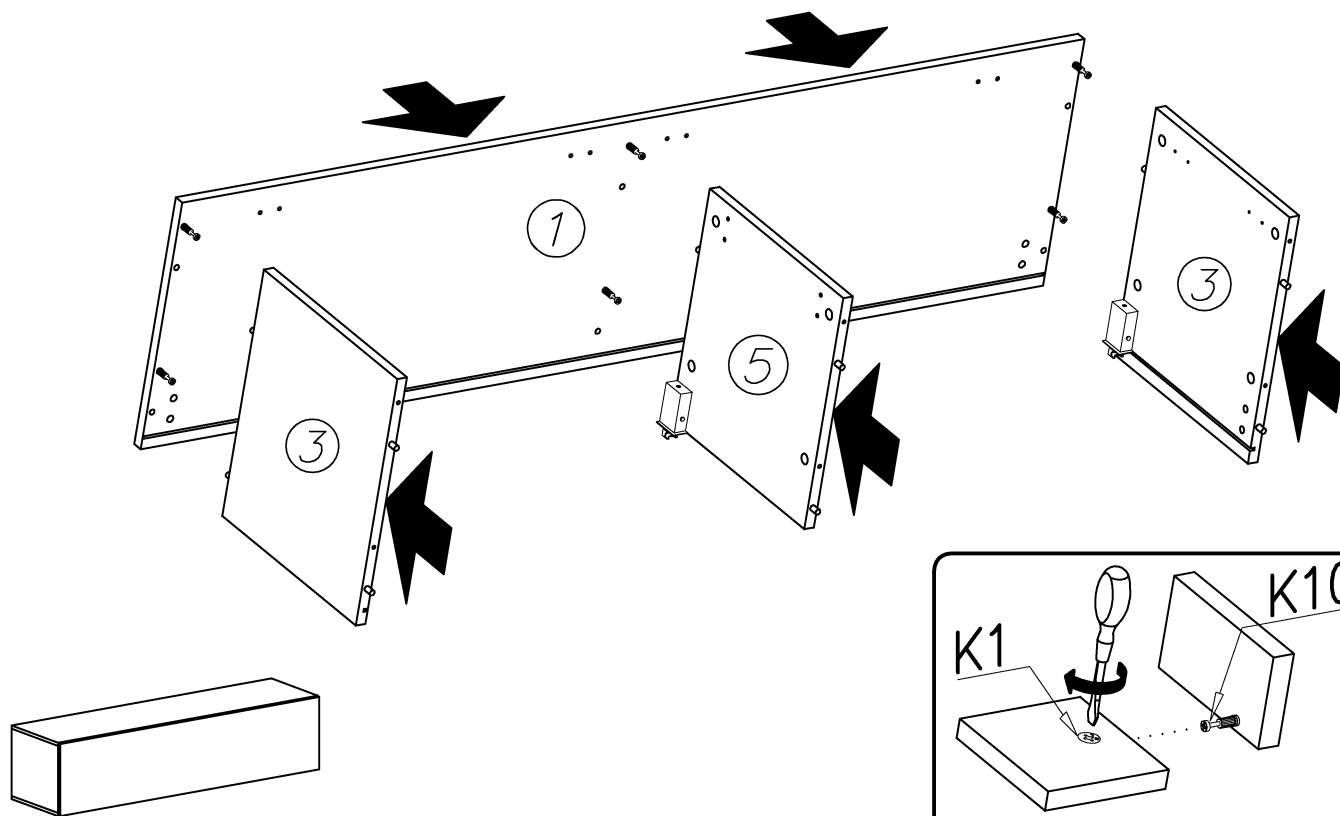
I



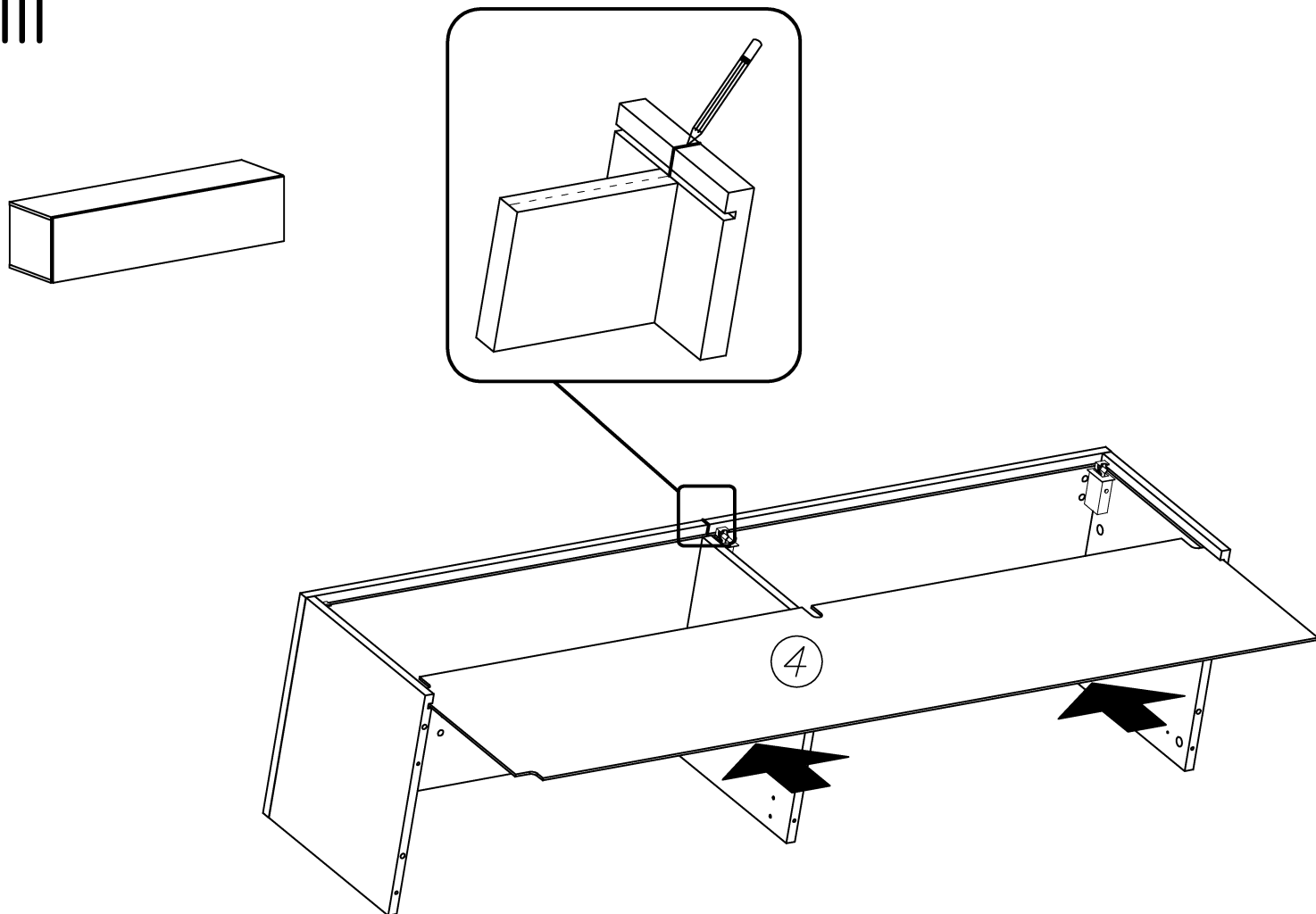
I



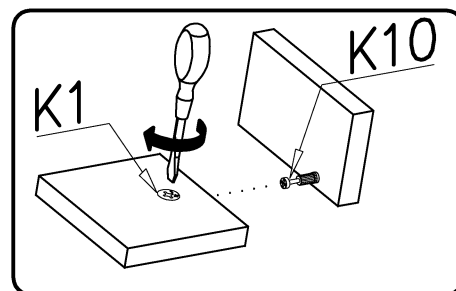
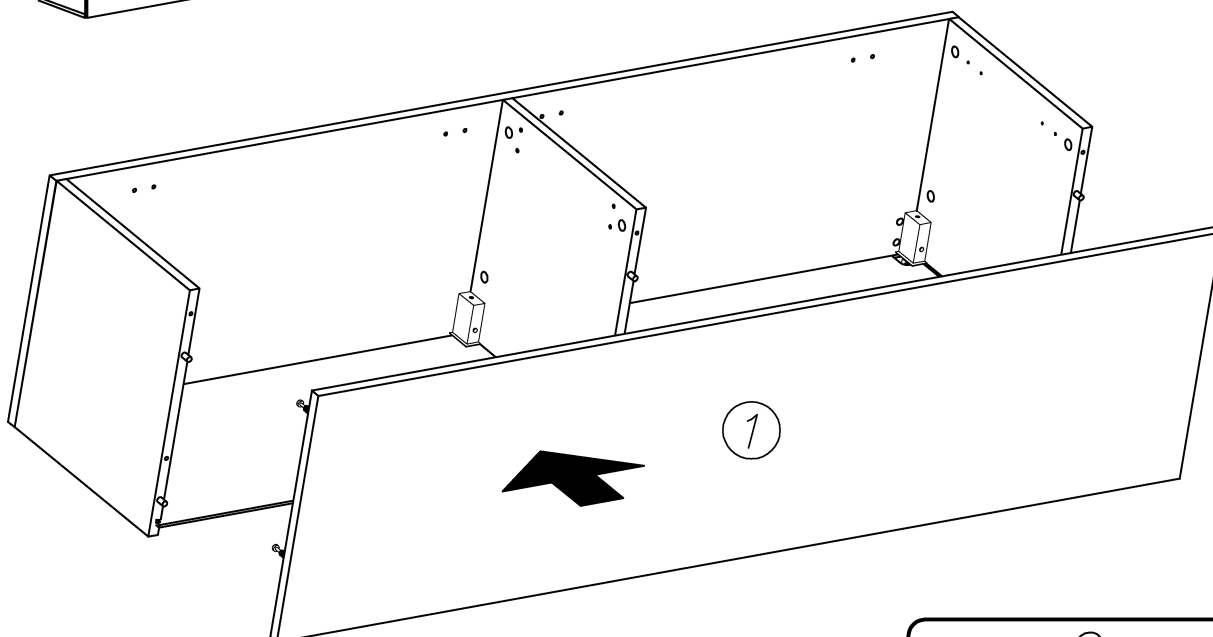
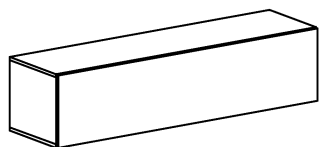
II



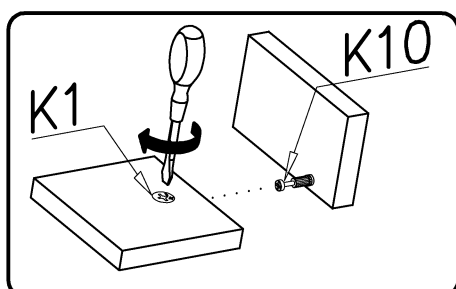
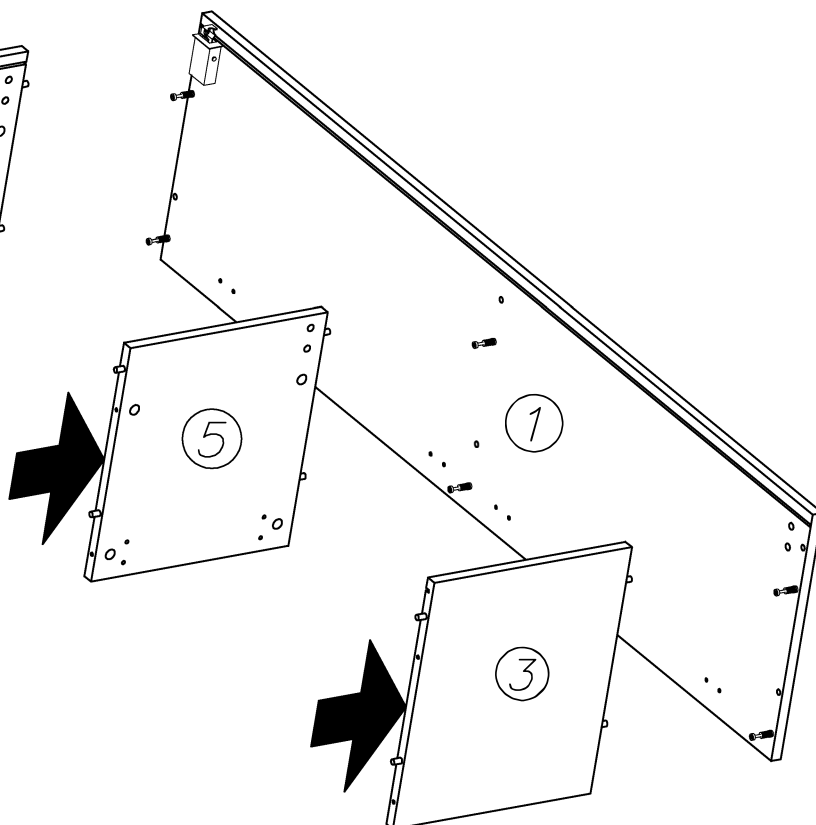
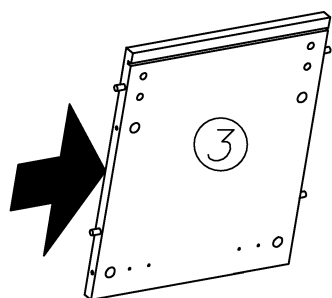
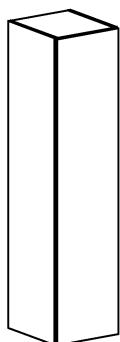
III



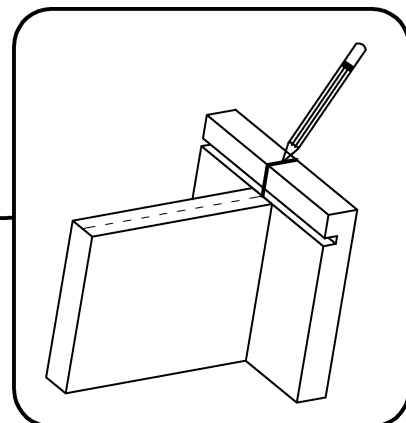
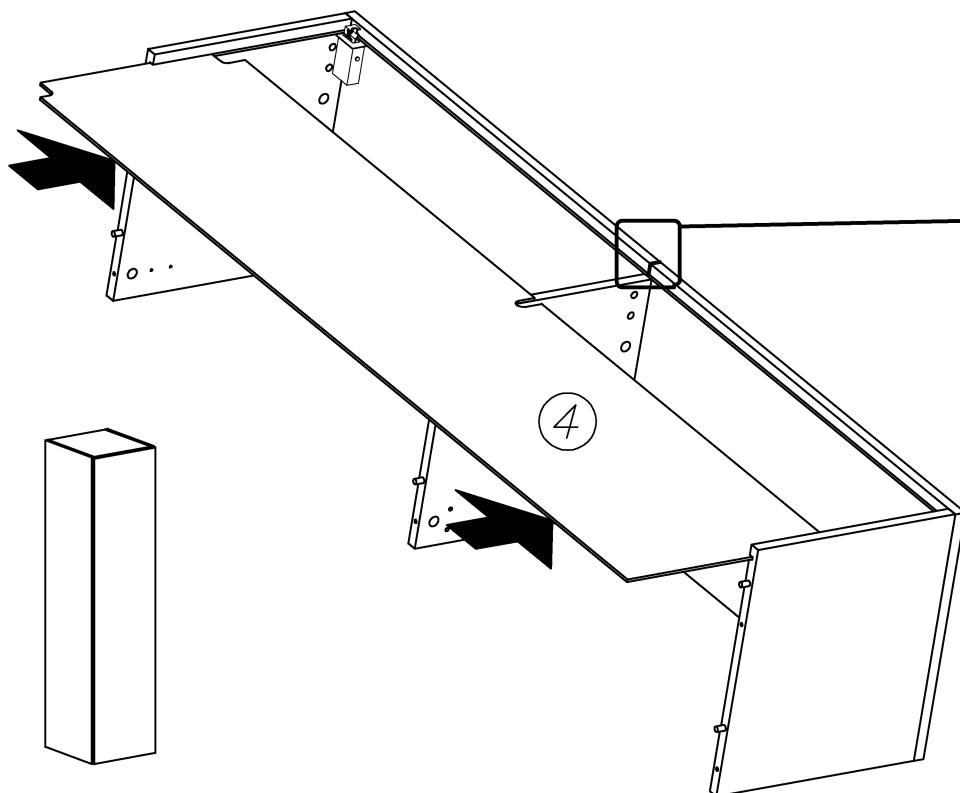
IV



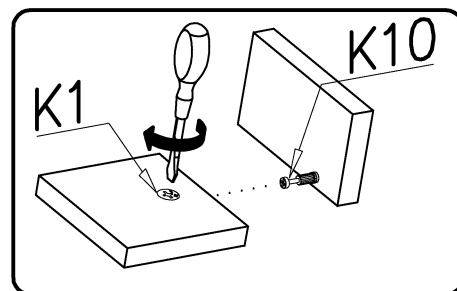
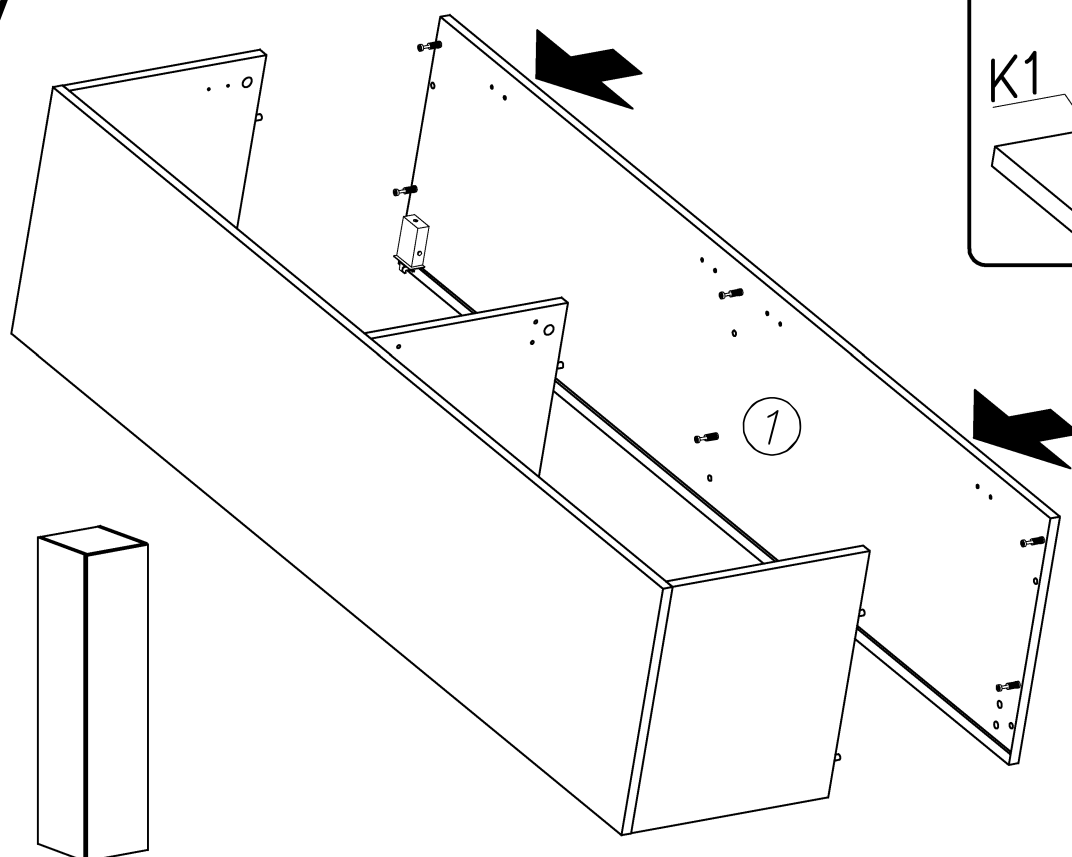
II

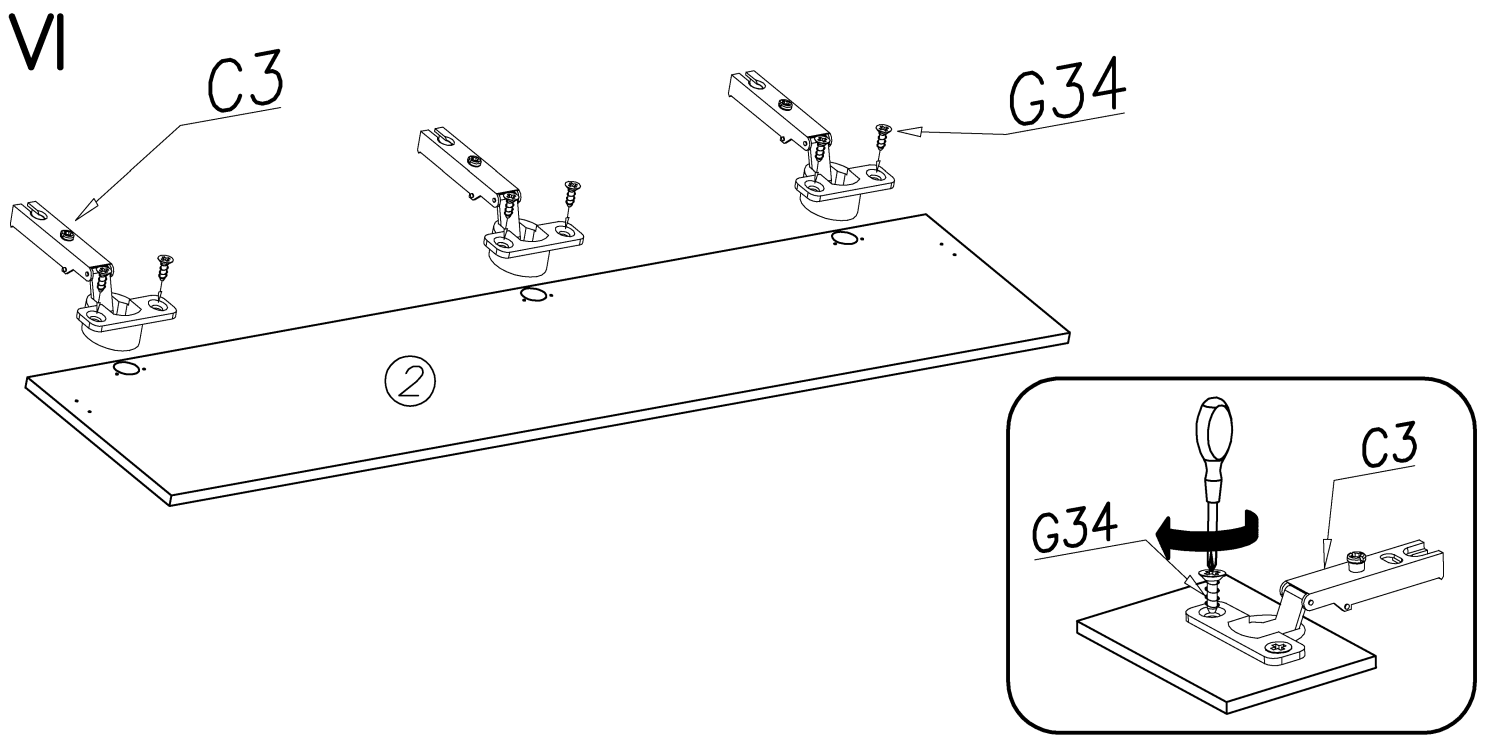
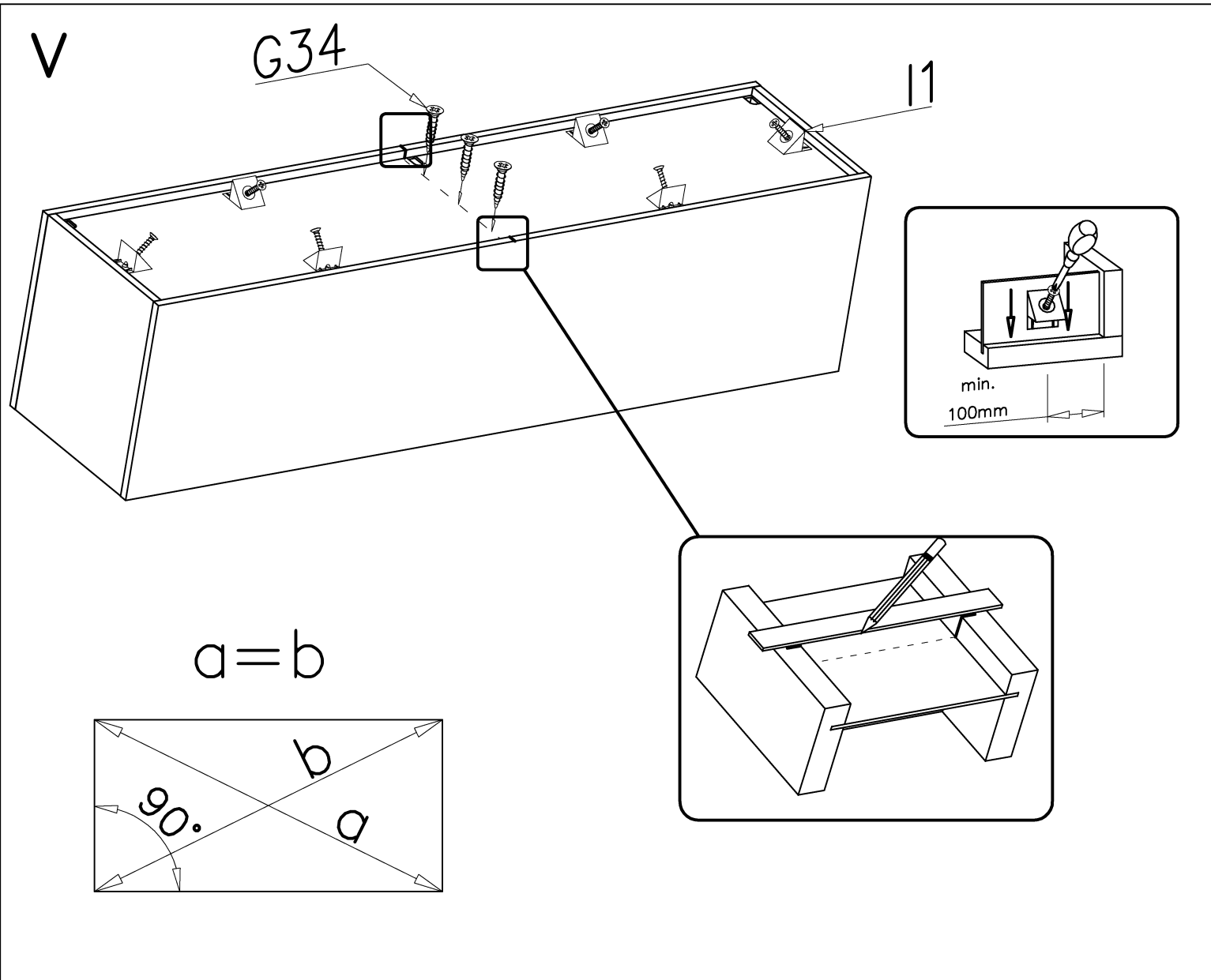


III

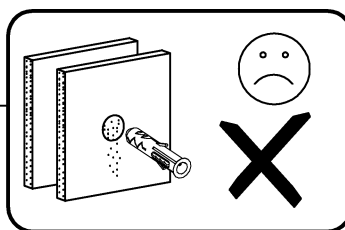
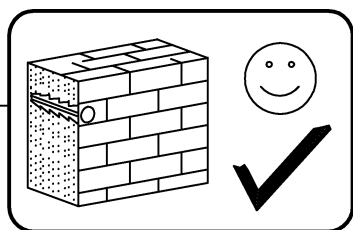
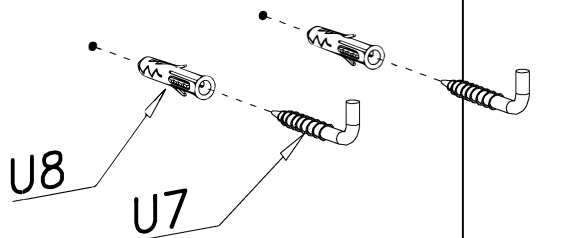
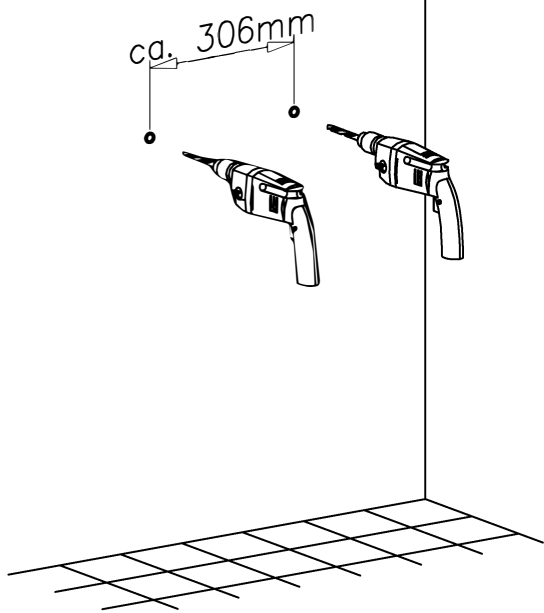
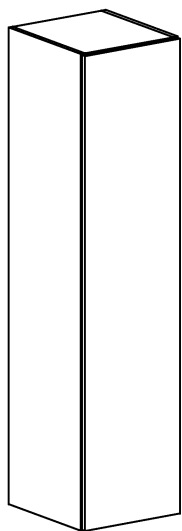


IV

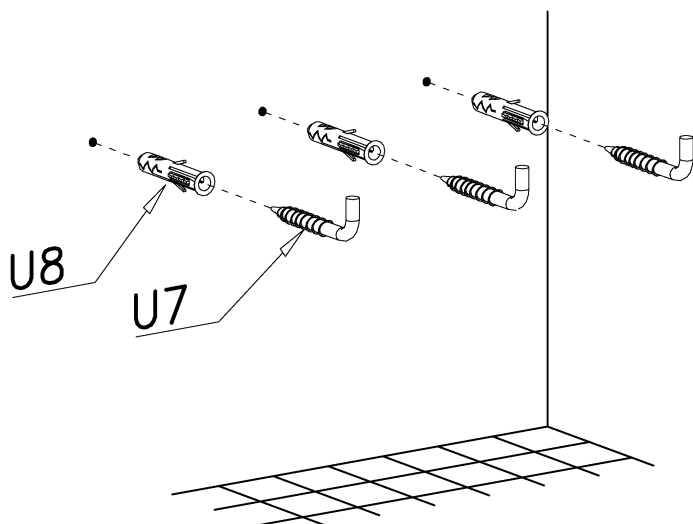
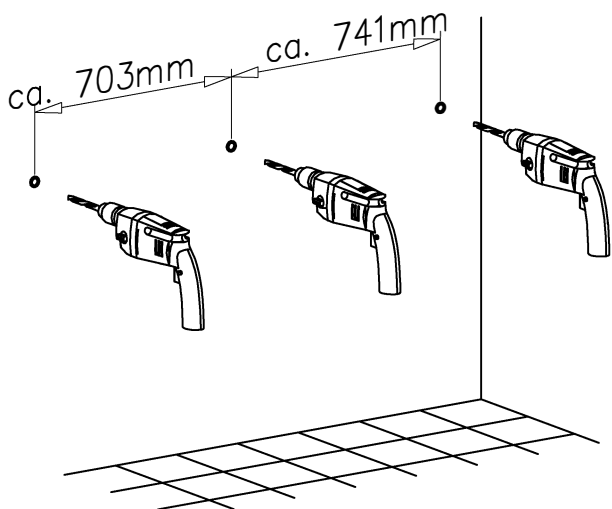
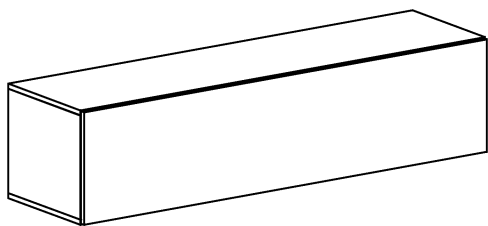




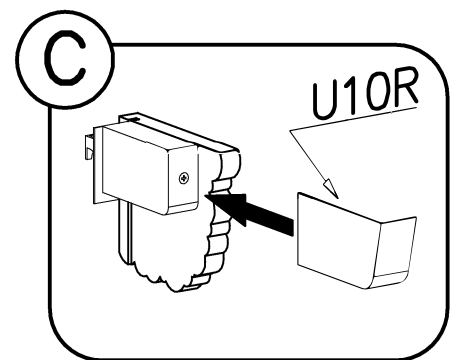
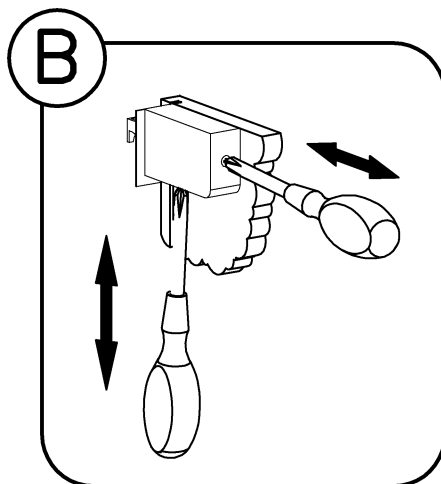
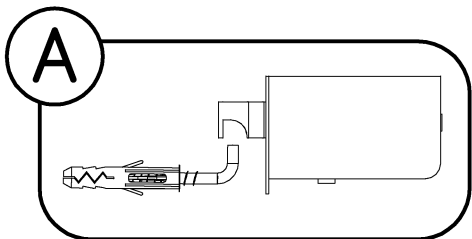
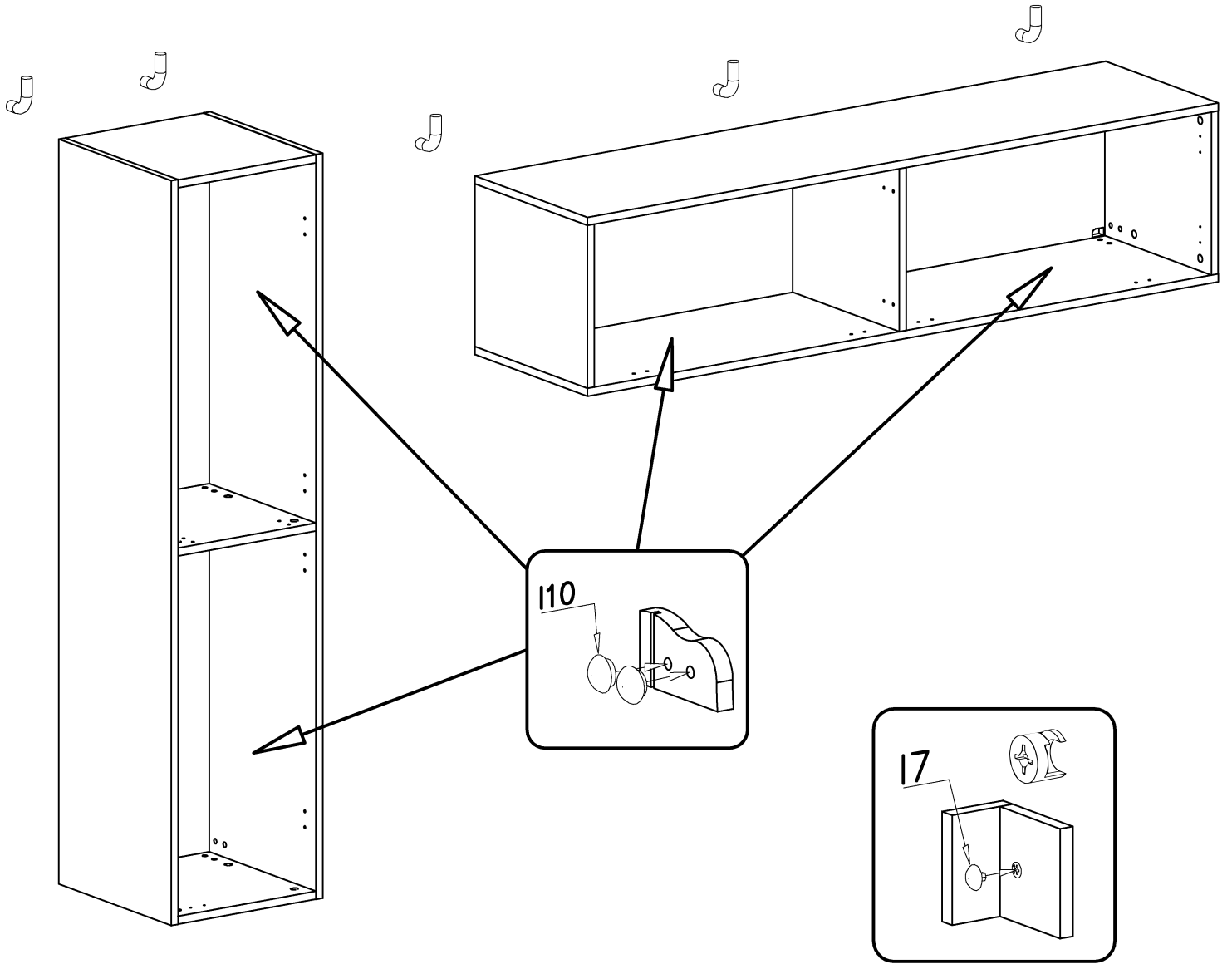
VII



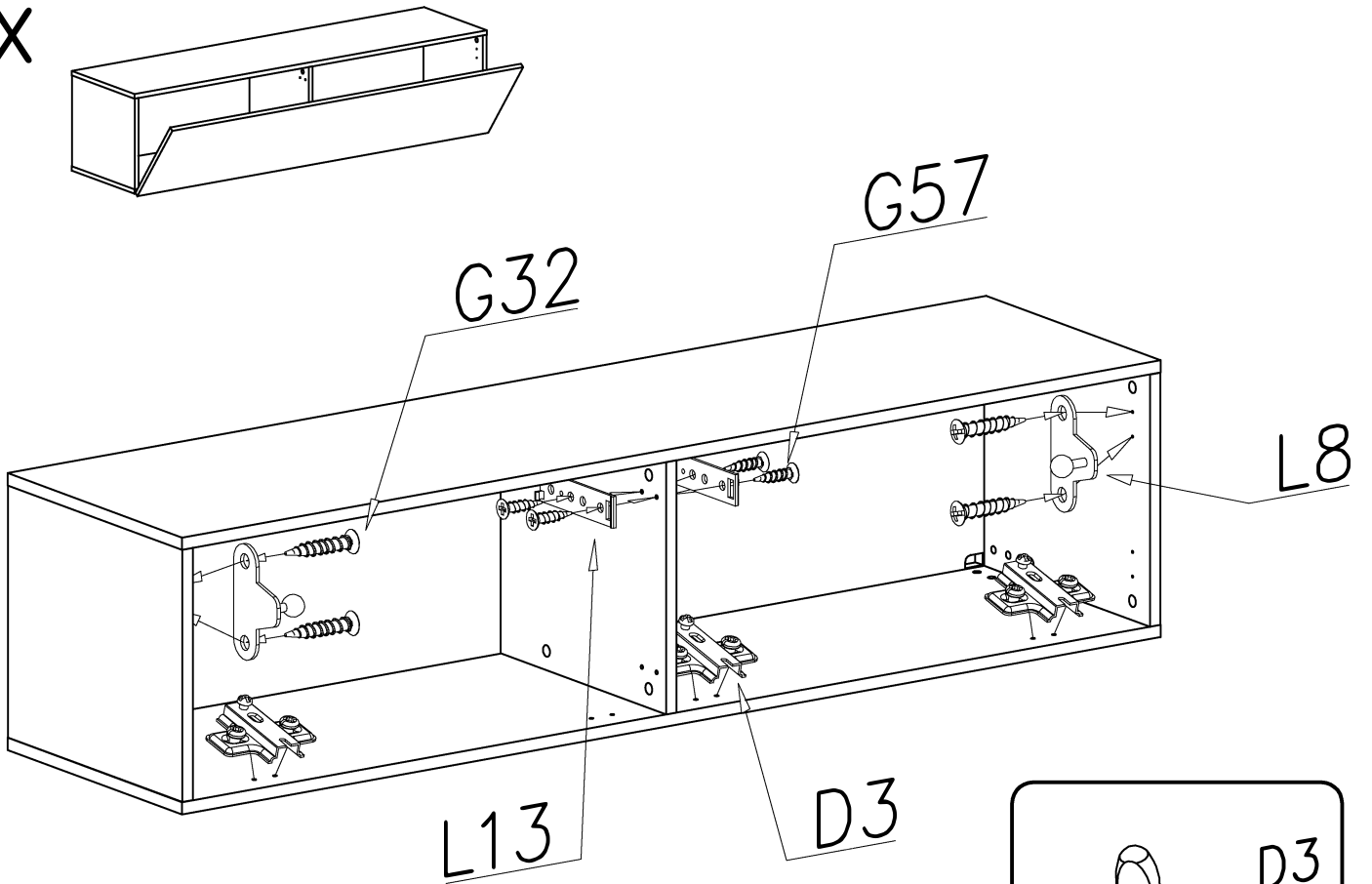
VII



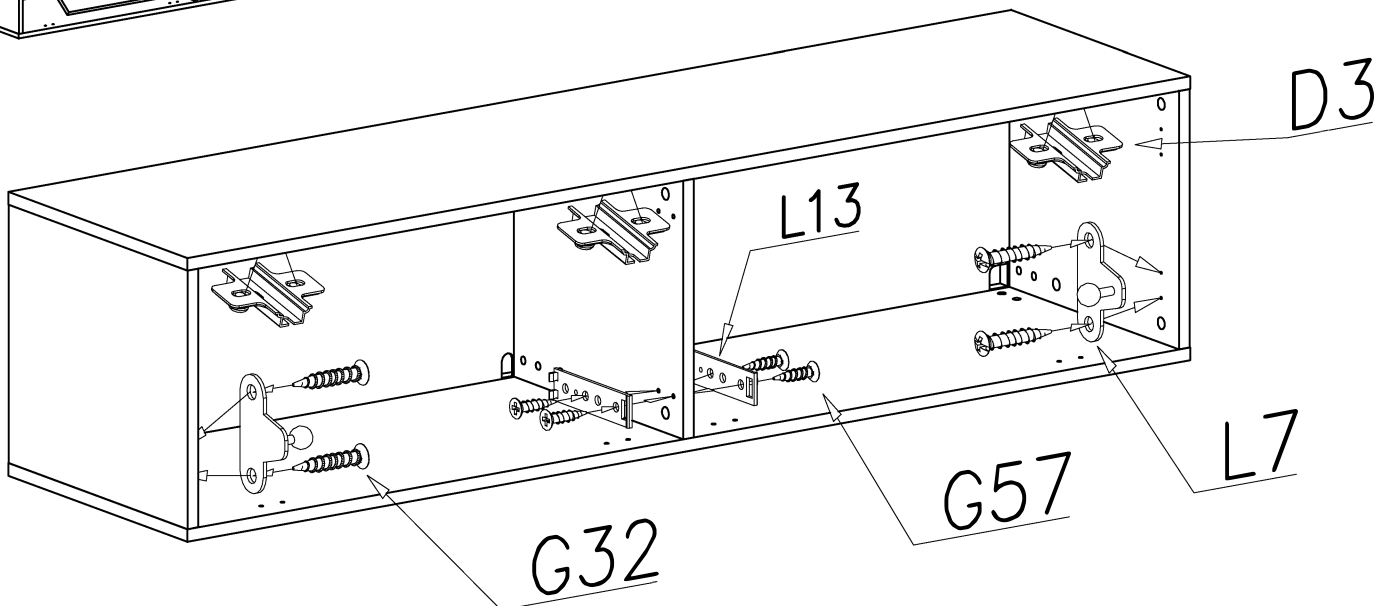
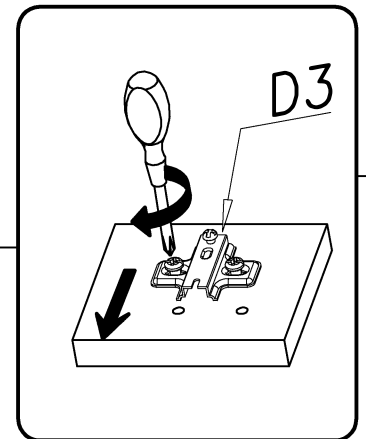
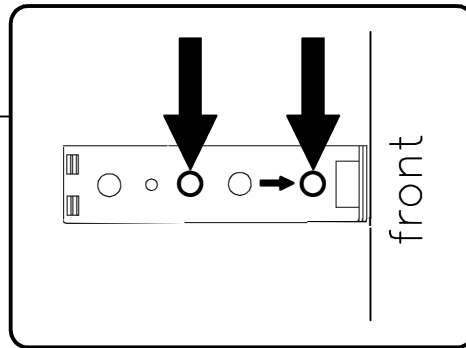
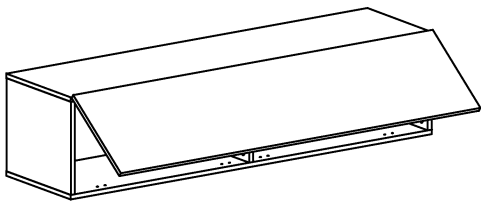
VIII



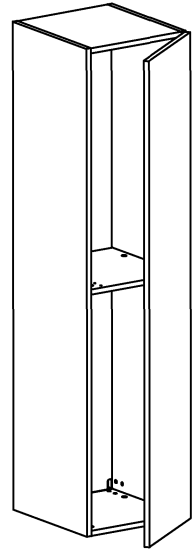
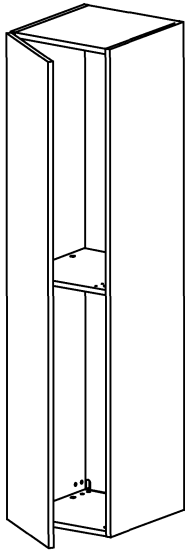
IX



IX

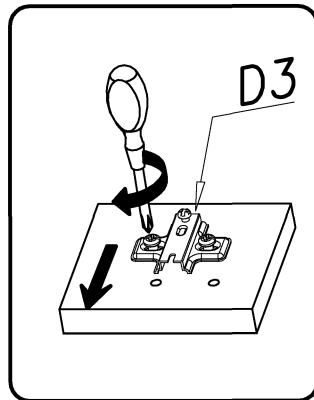
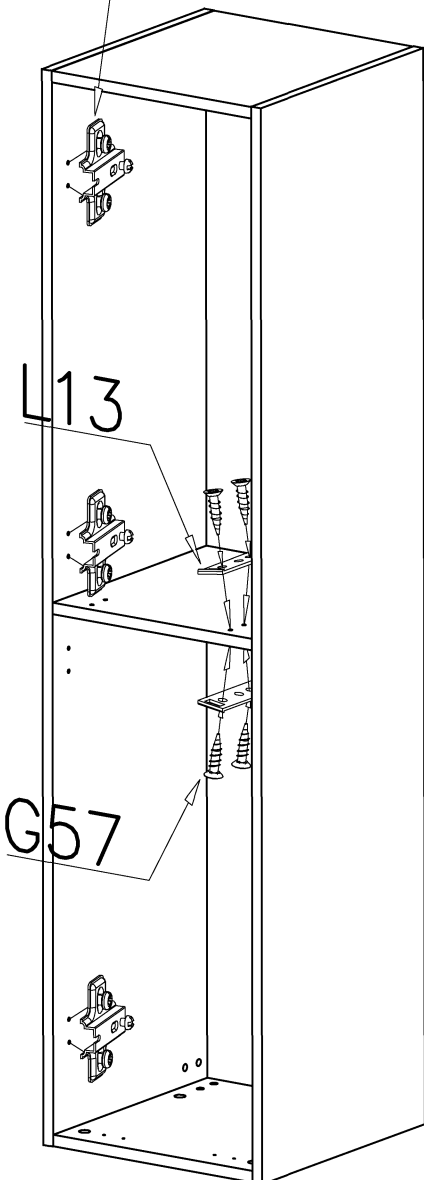
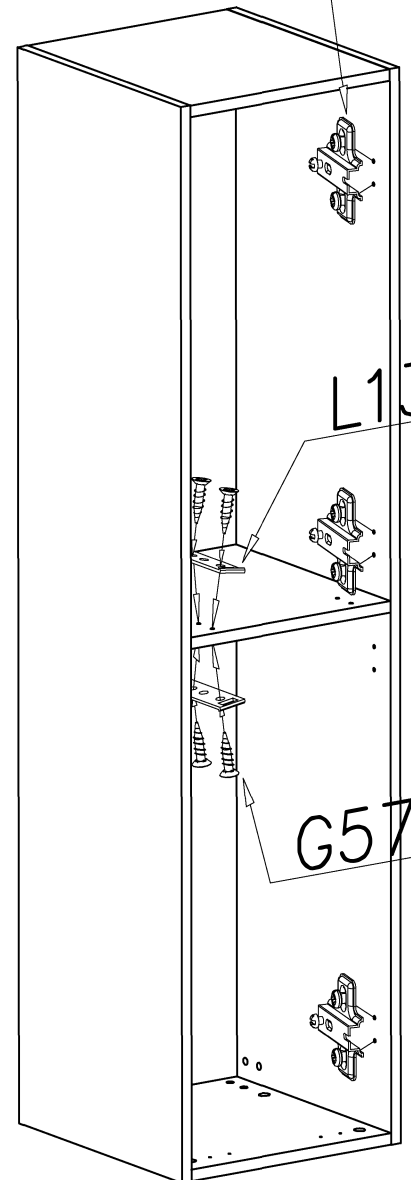
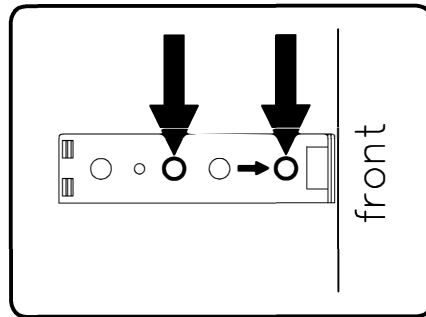


IX



D3

D3



D3

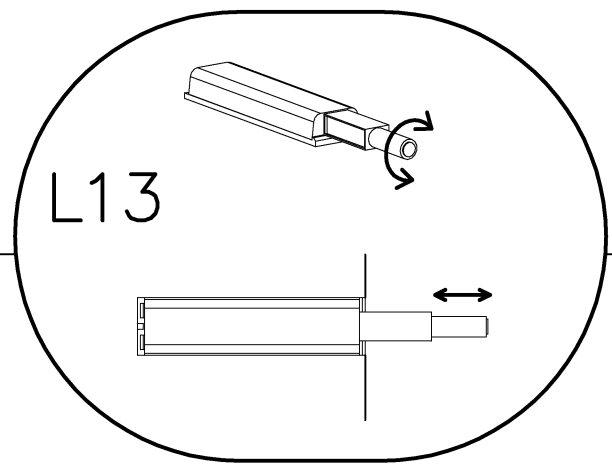
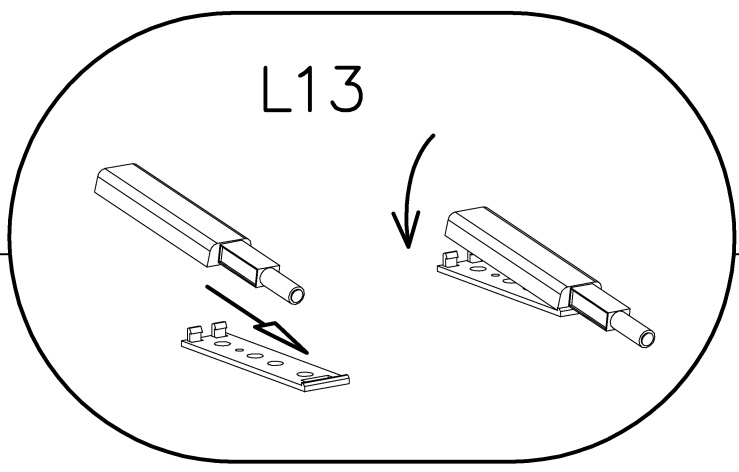
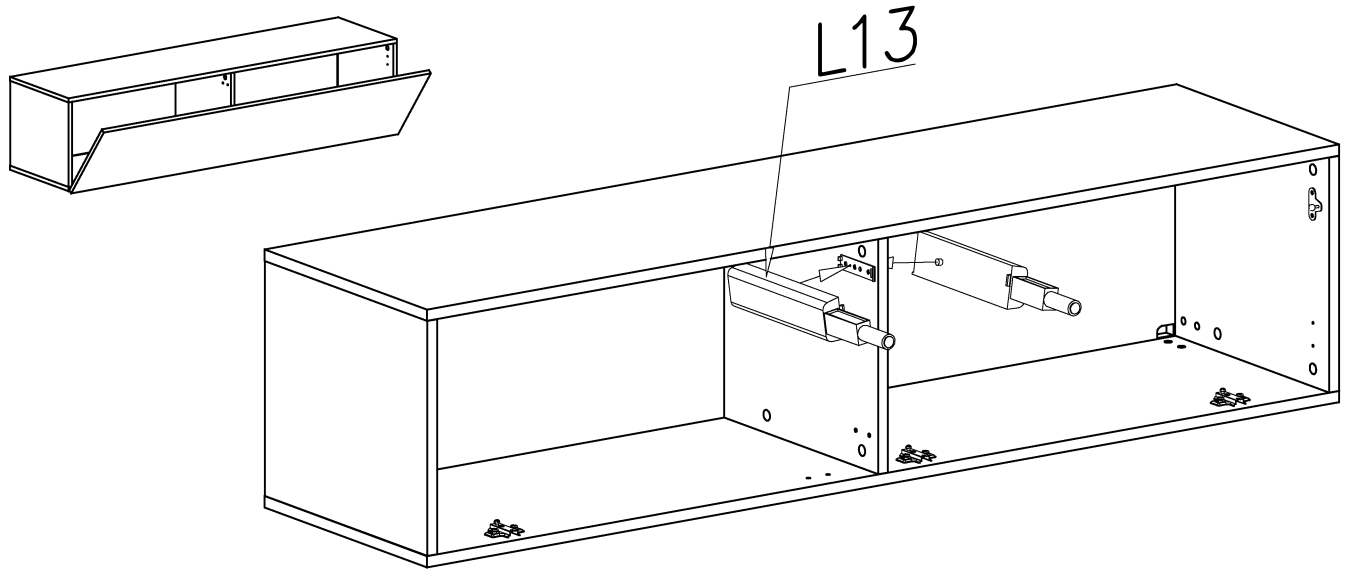
G57

G57

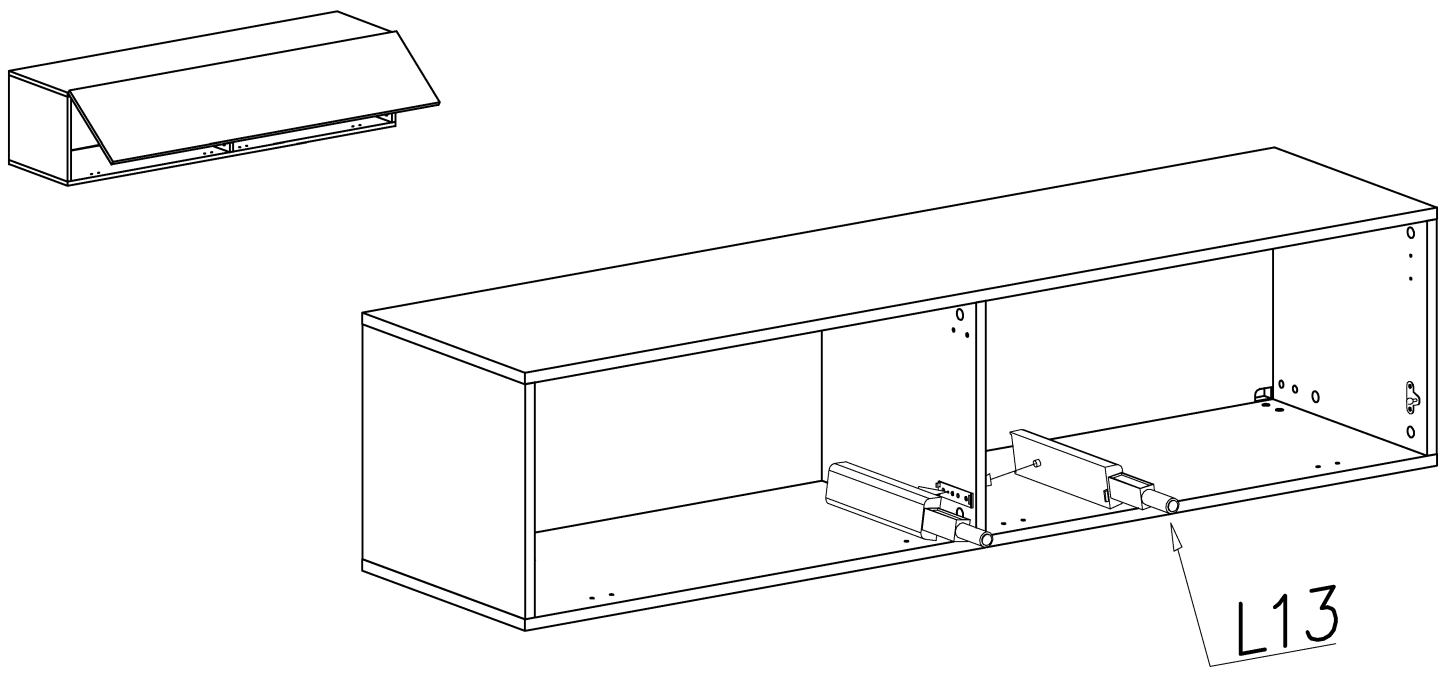
L13

L13

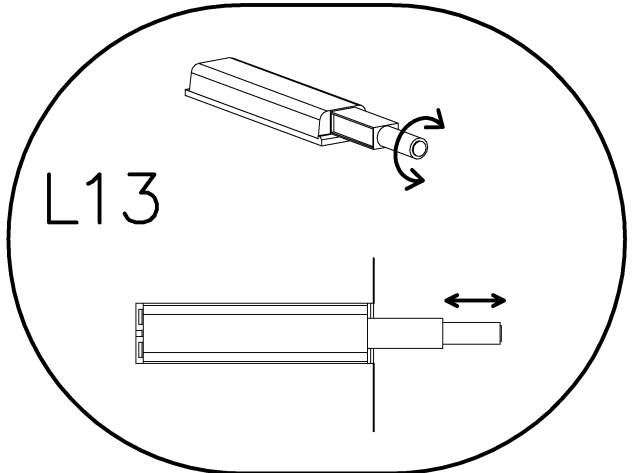
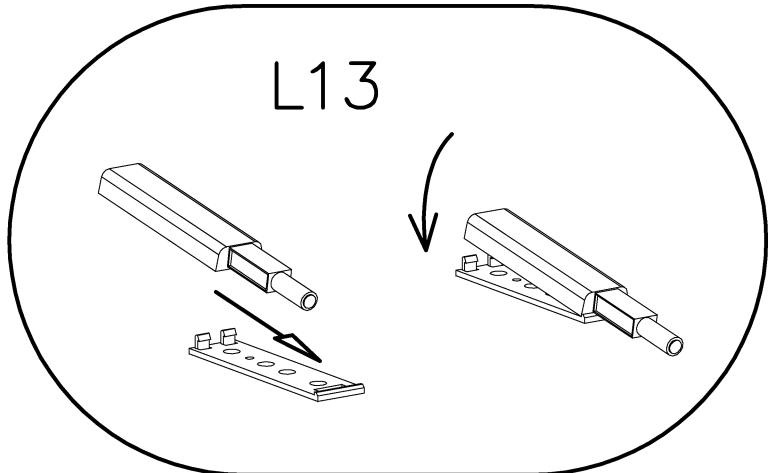
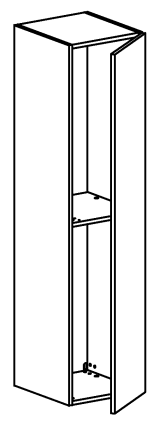
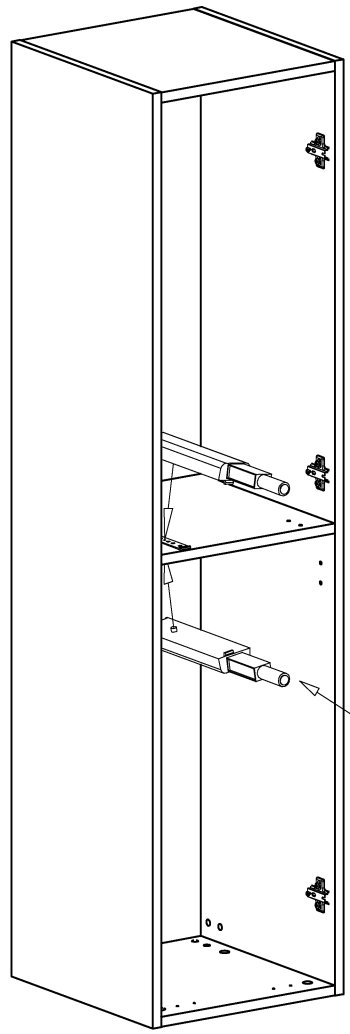
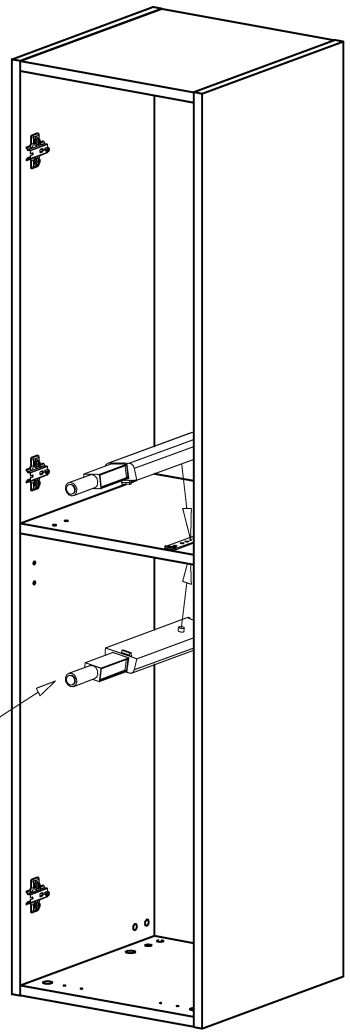
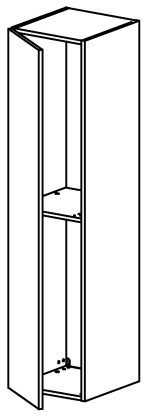
X



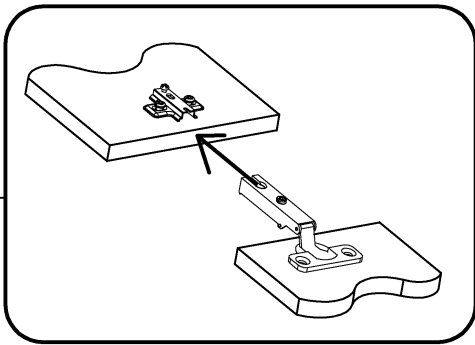
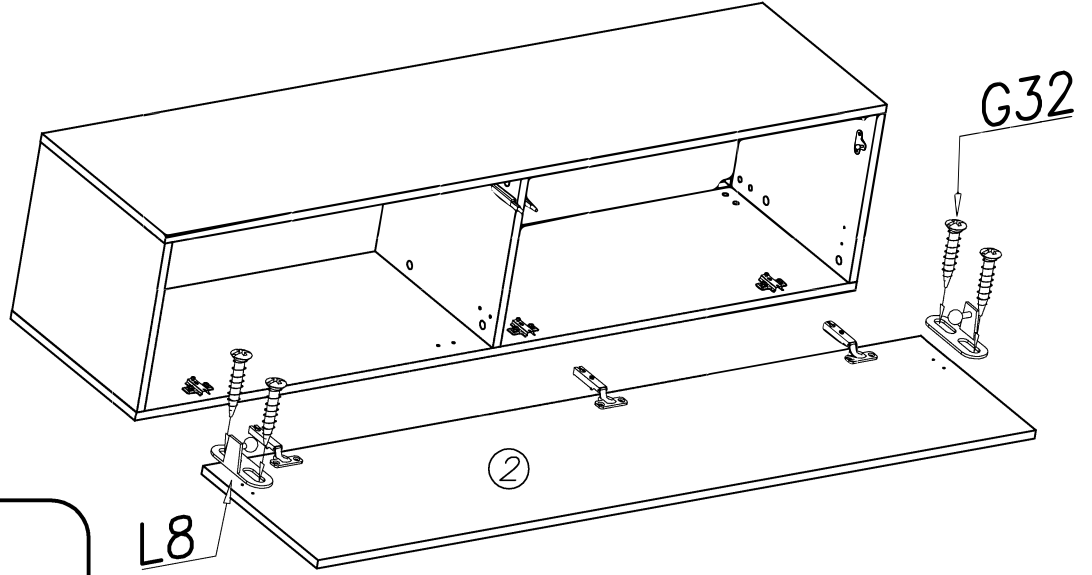
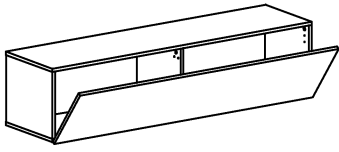
X



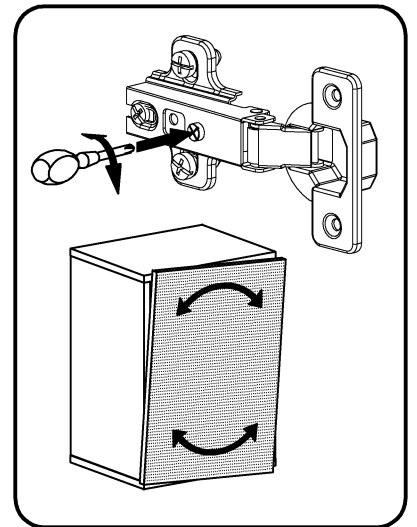
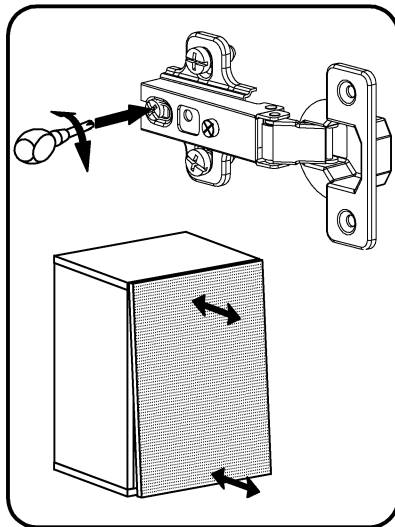
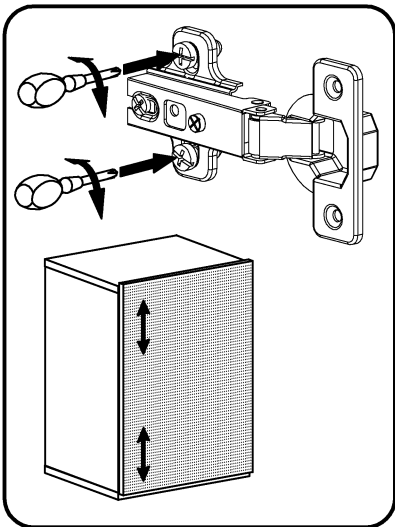
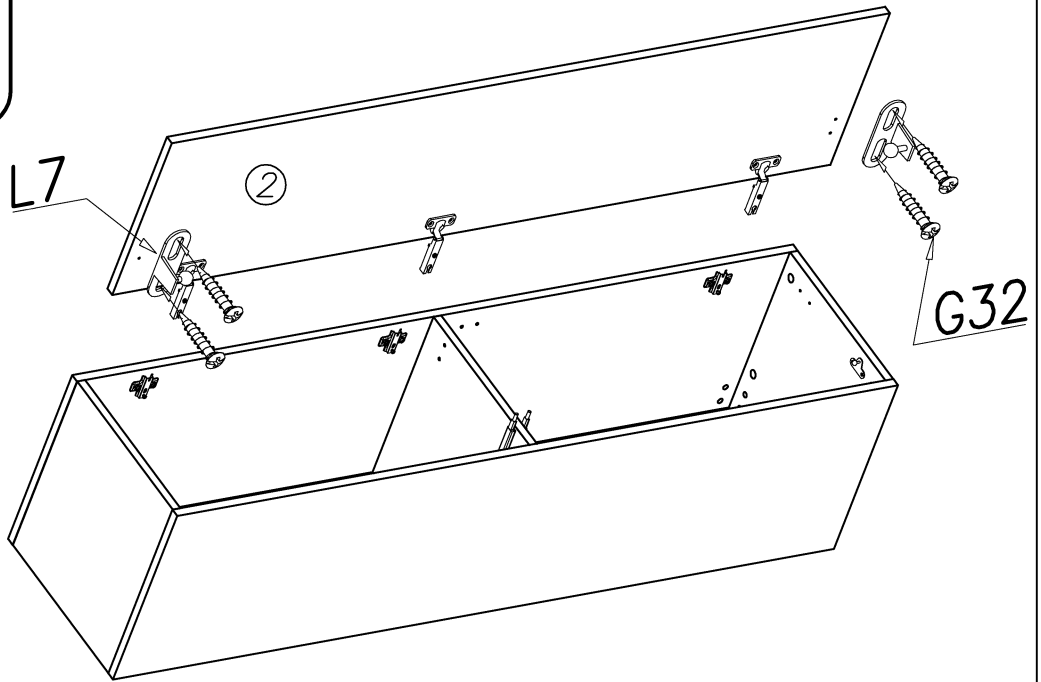
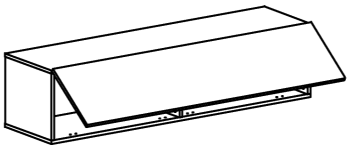
X



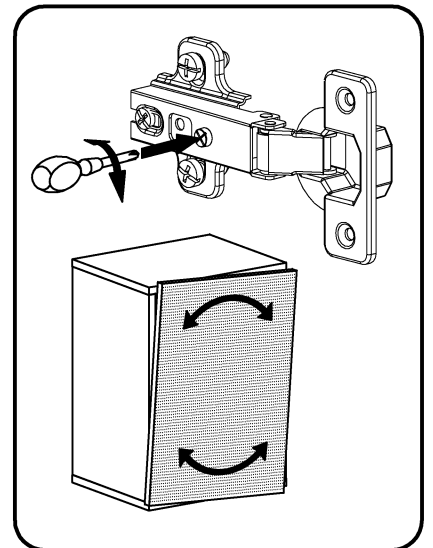
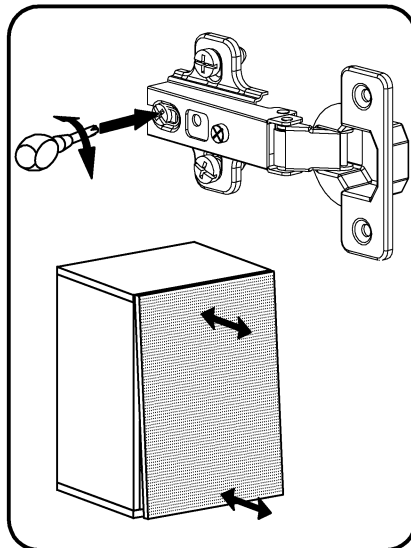
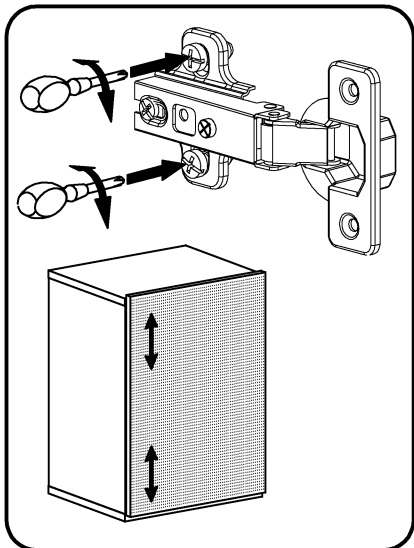
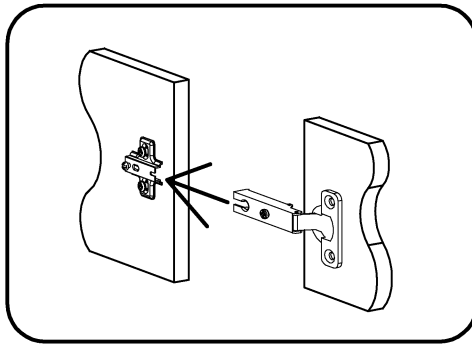
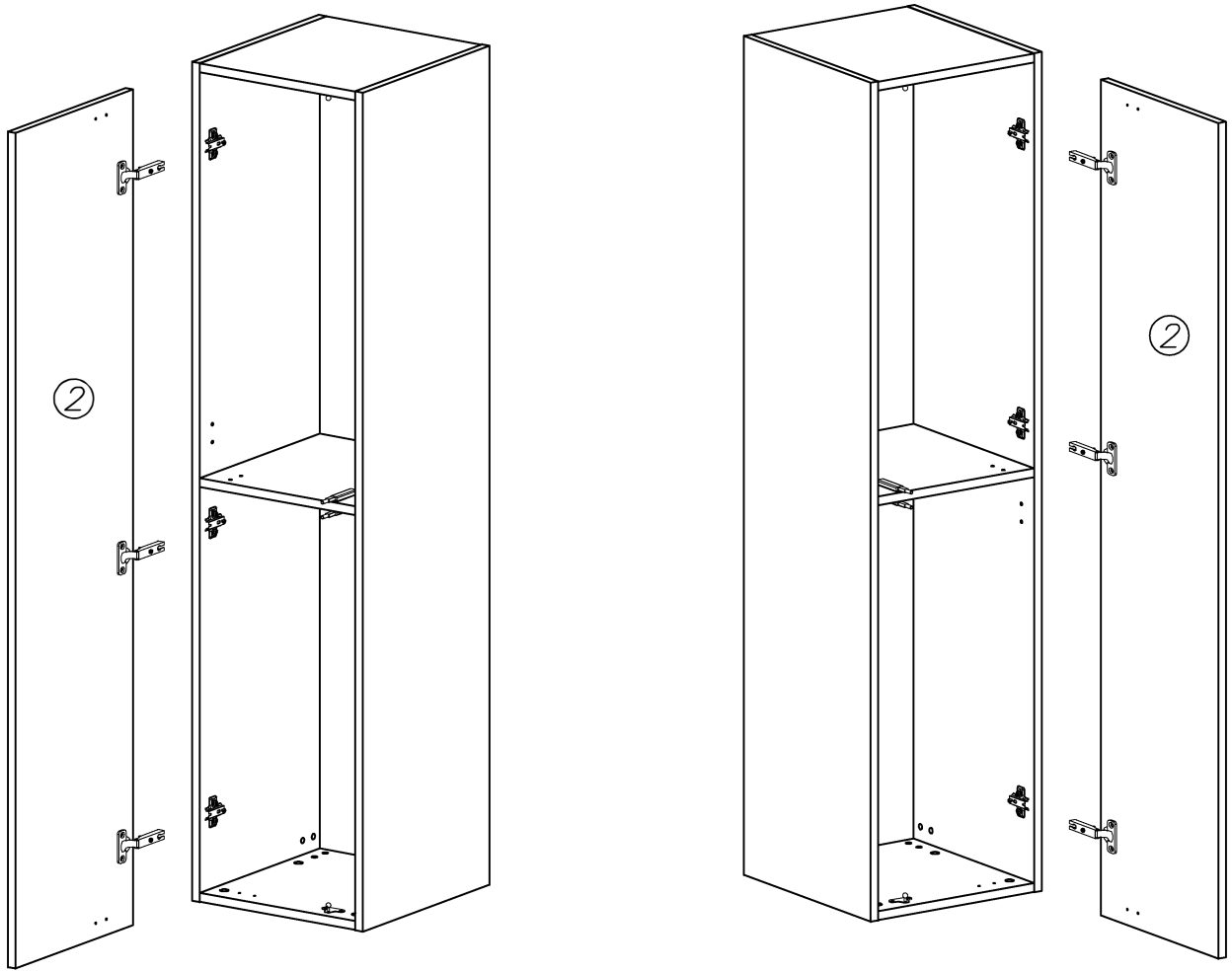
XI



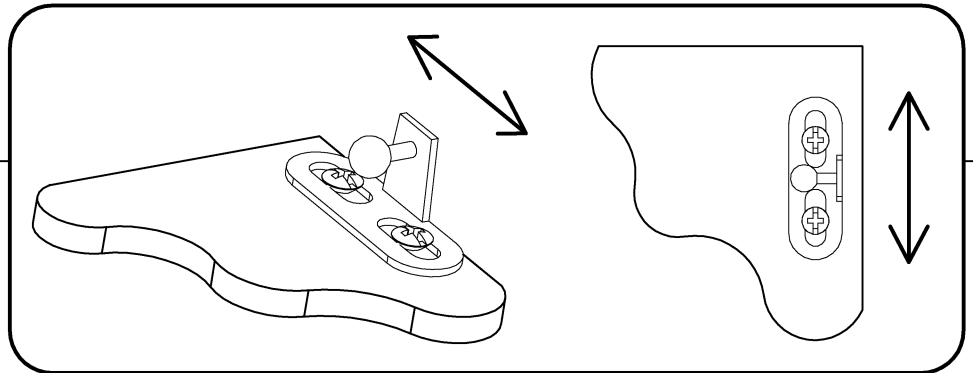
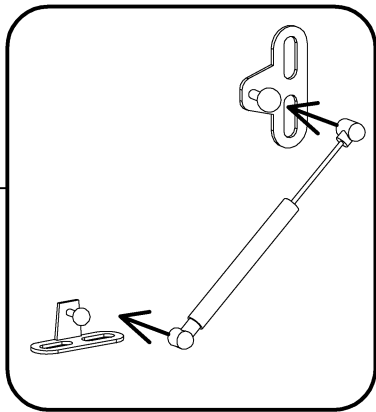
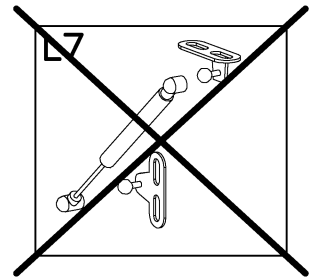
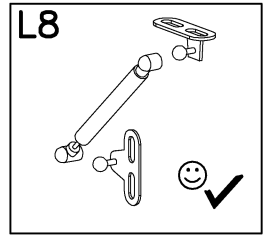
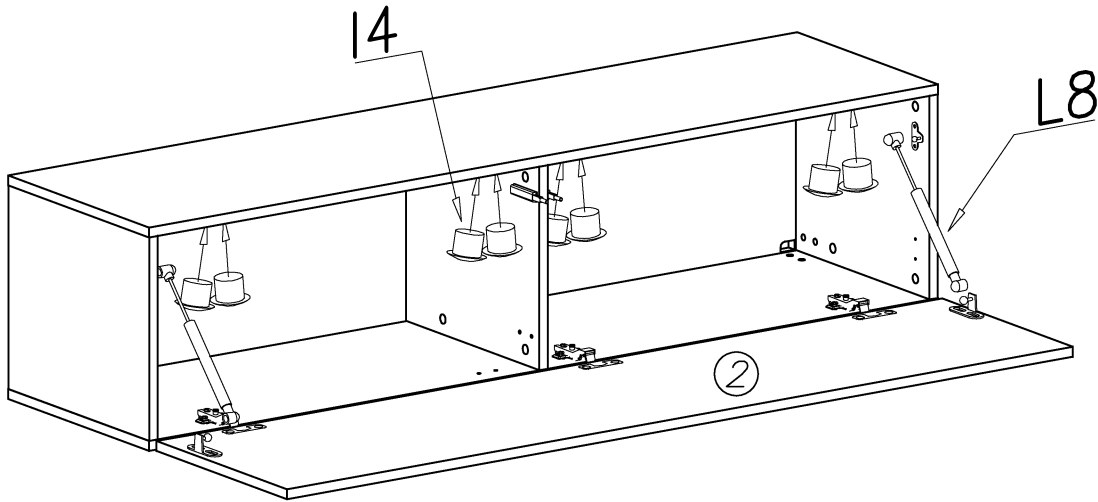
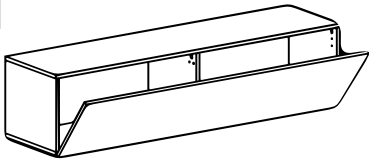
XI



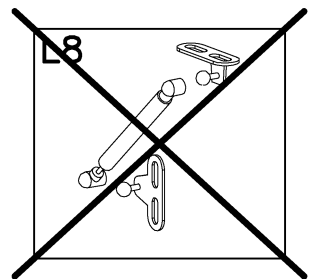
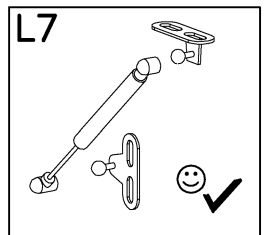
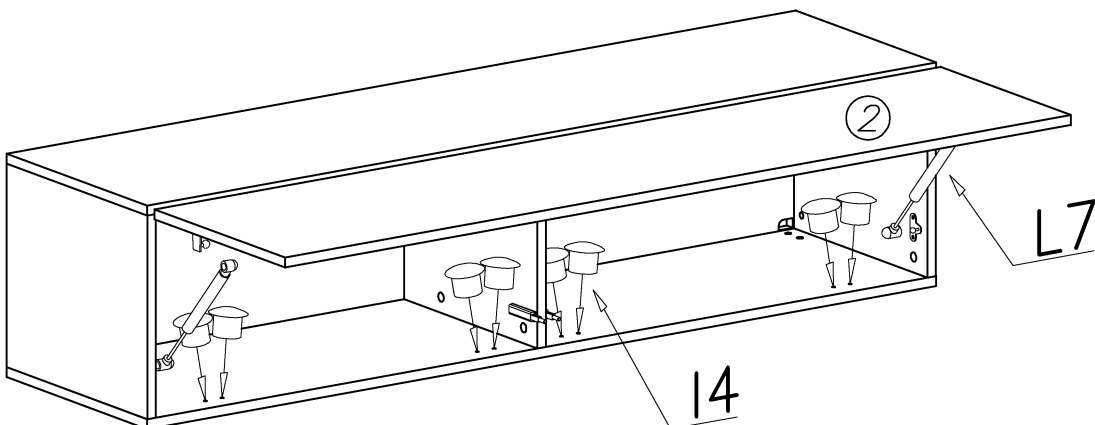
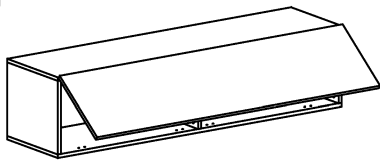
XI



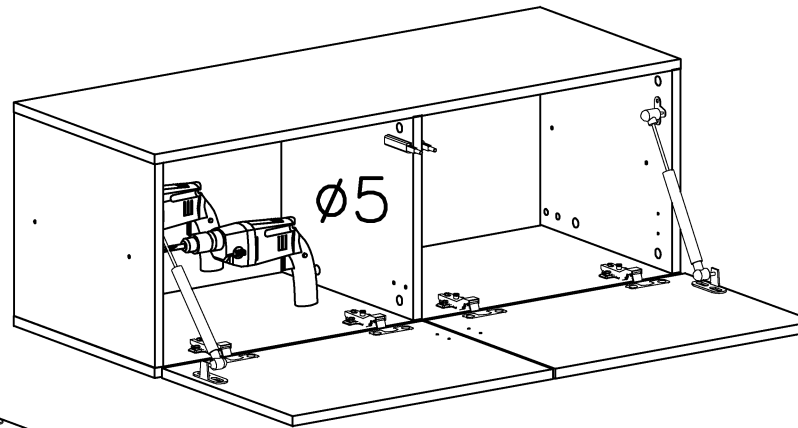
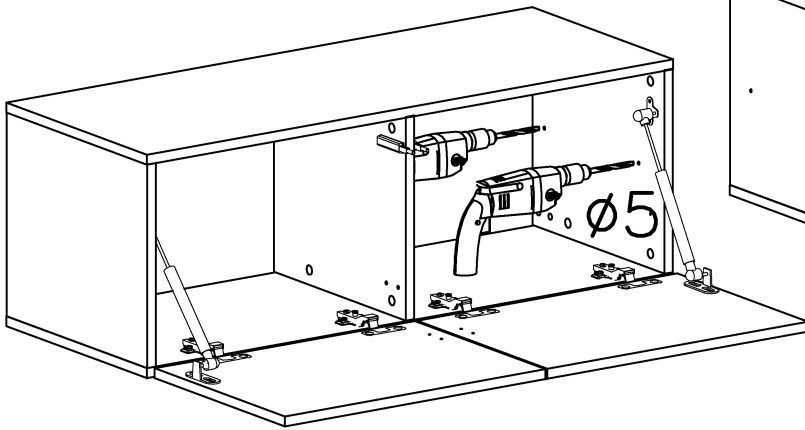
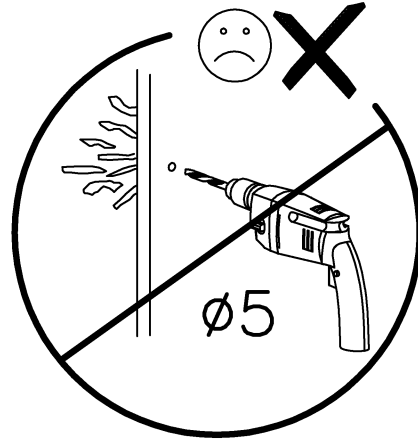
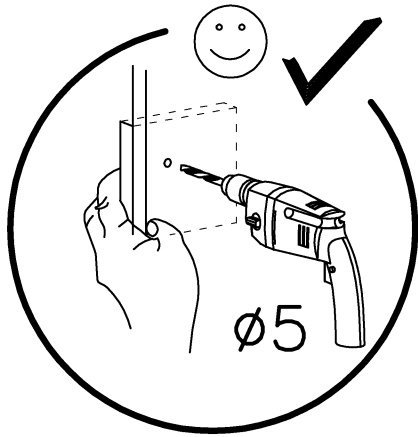
XII



XII



XIII



XIV

