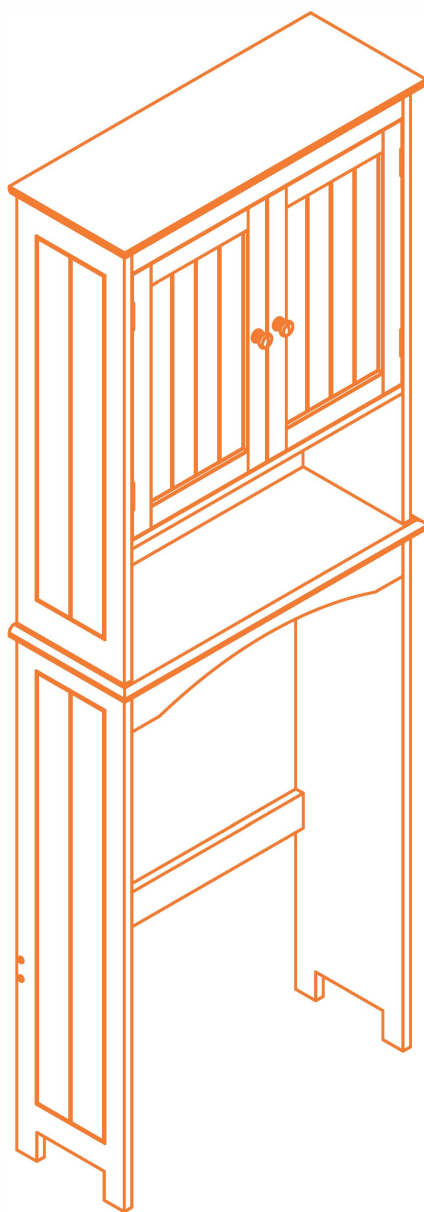
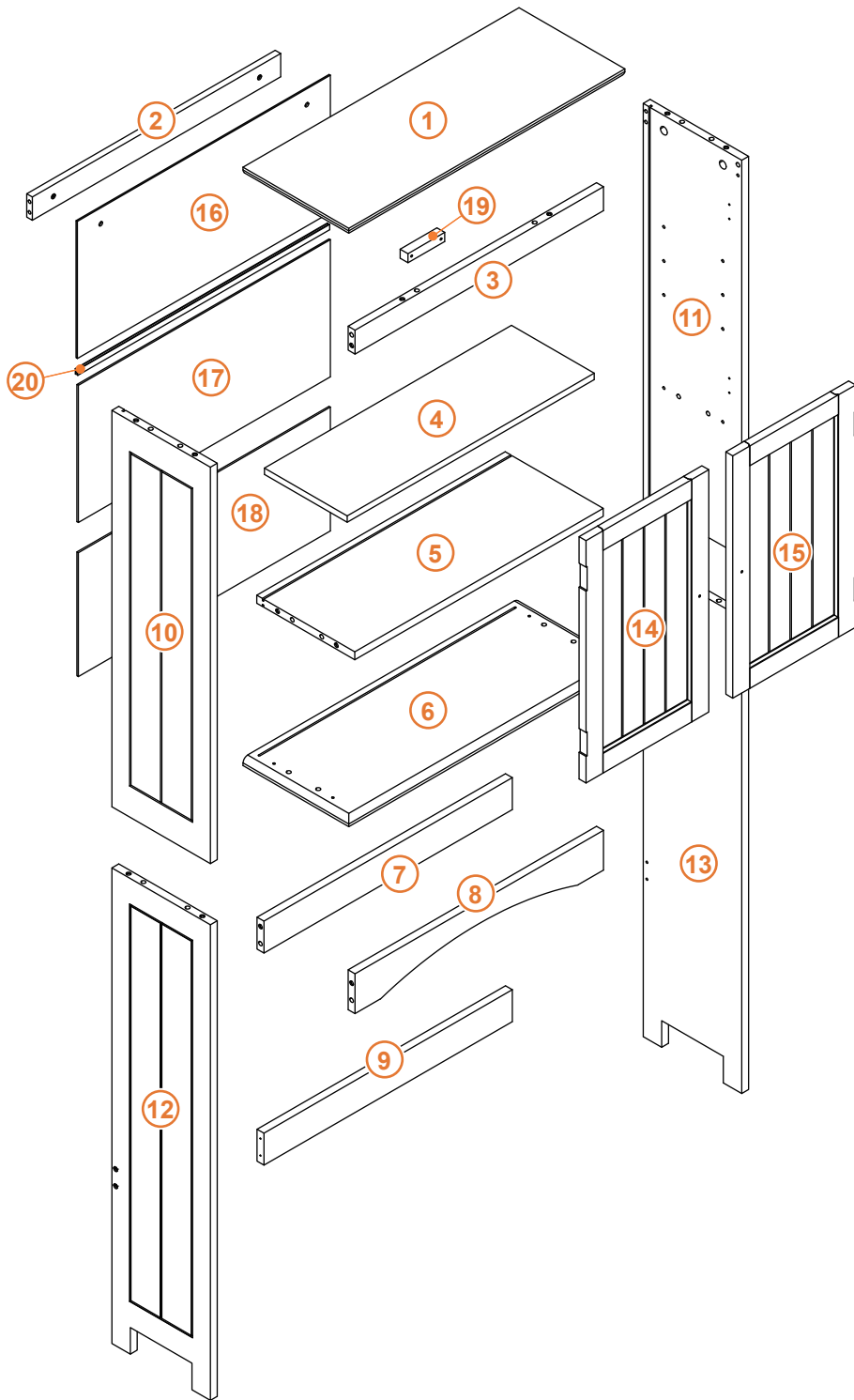
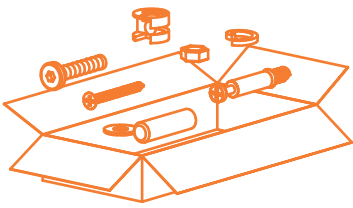


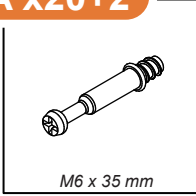
# INSTALLATION & ASSEMBLY



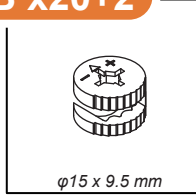




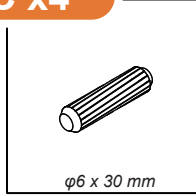
**A x20+2**



**B x20+2**



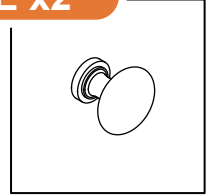
**C x4**



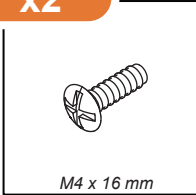
**D x24+2**



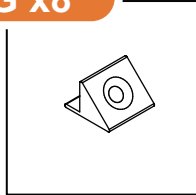
**E x2**



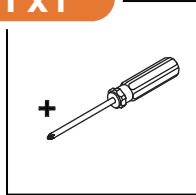
**F x2**



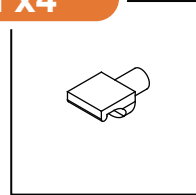
**G x8**



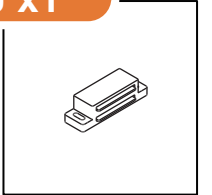
**H x1**



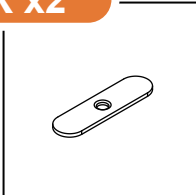
**I x4**



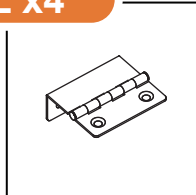
**J x1**



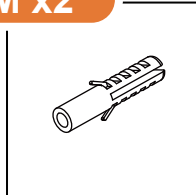
**K x2**



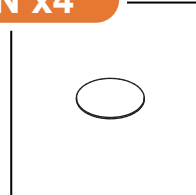
**L x4**



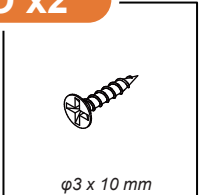
**M x2**



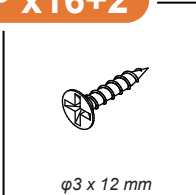
**N x4**



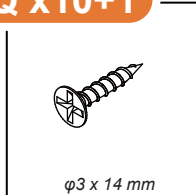
**O x2**



**P x16+2**



**Q x10+1**



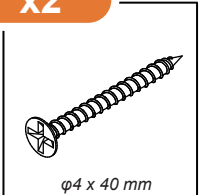
**R x2**

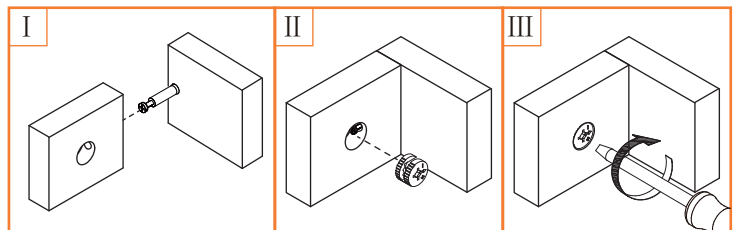
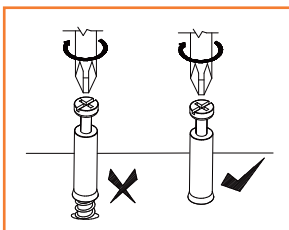
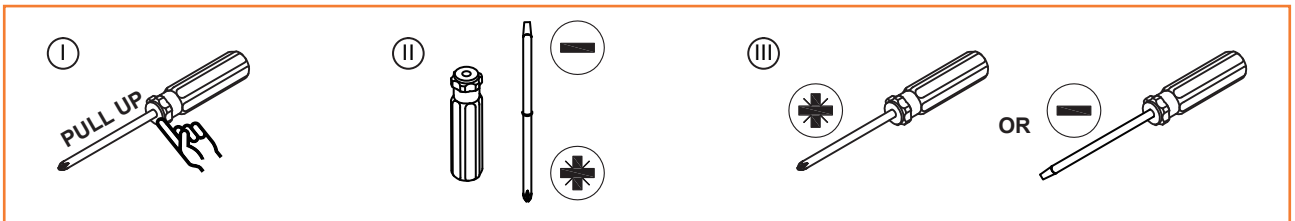
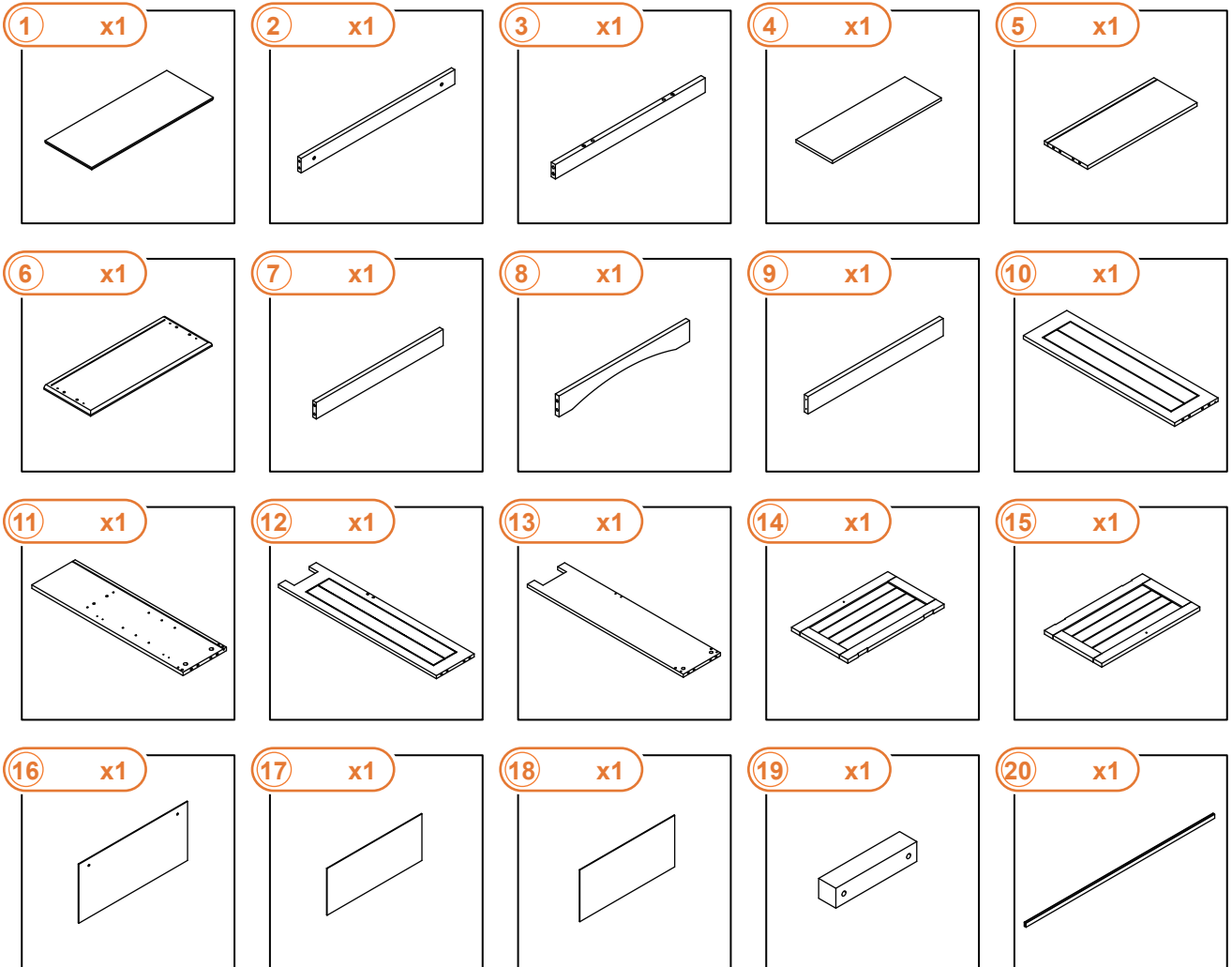


**S x8+1**

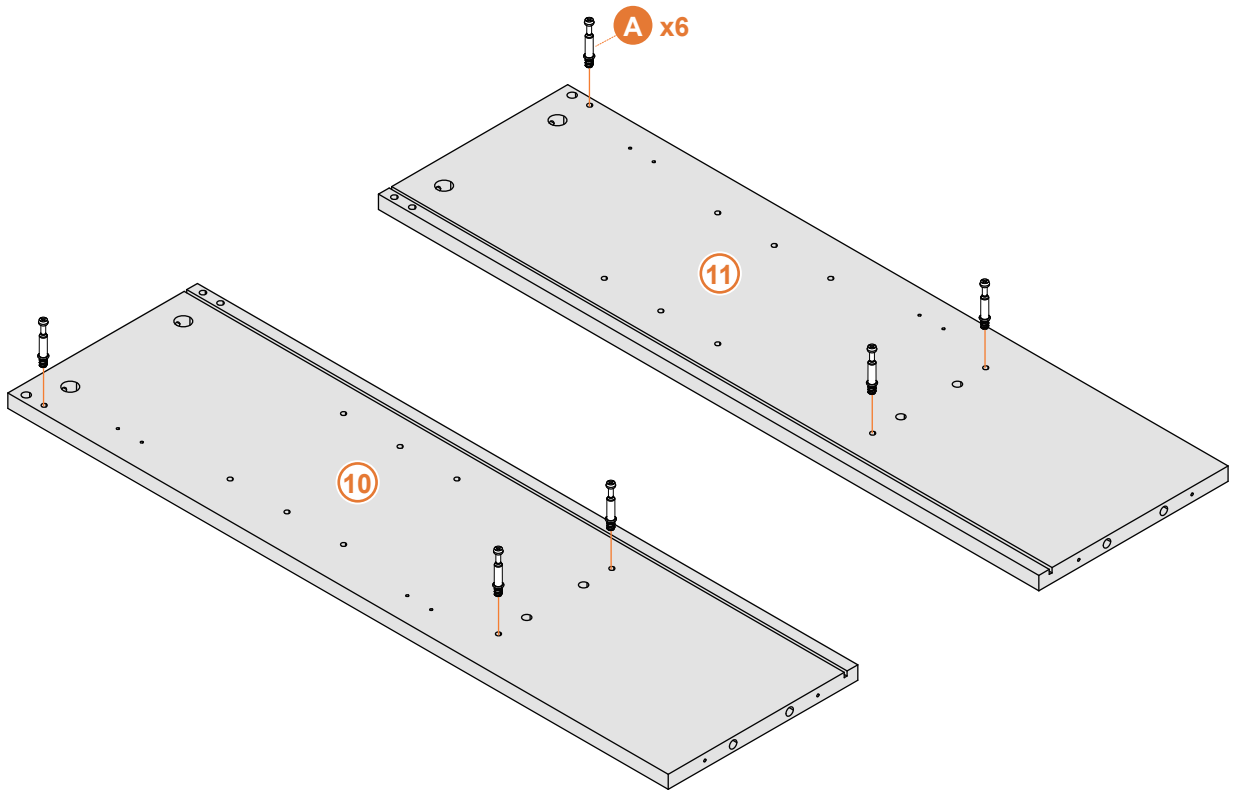
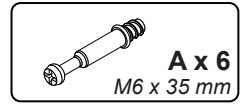
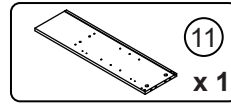
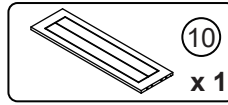


**T x2**

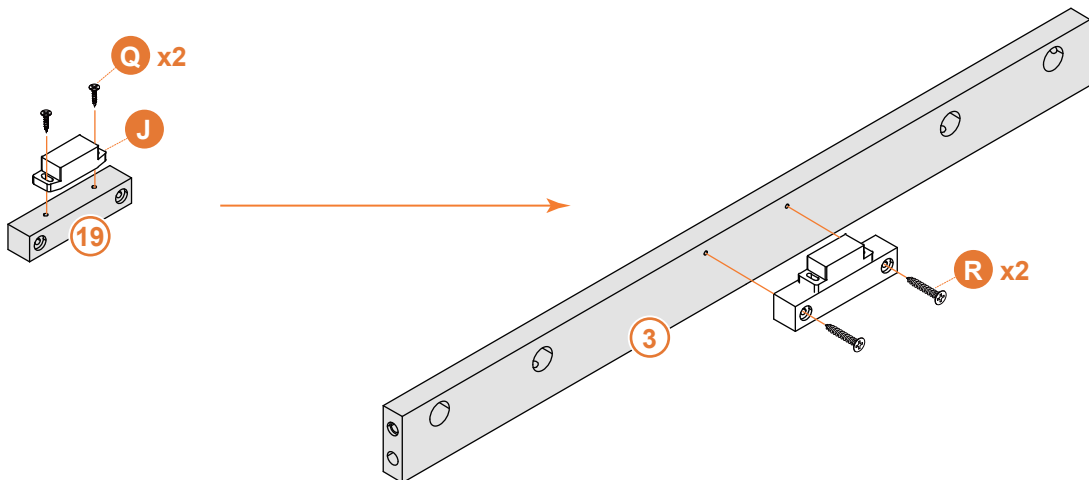
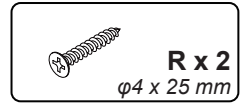
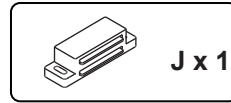
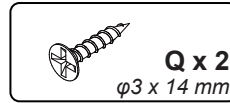
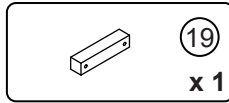
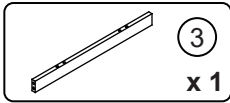




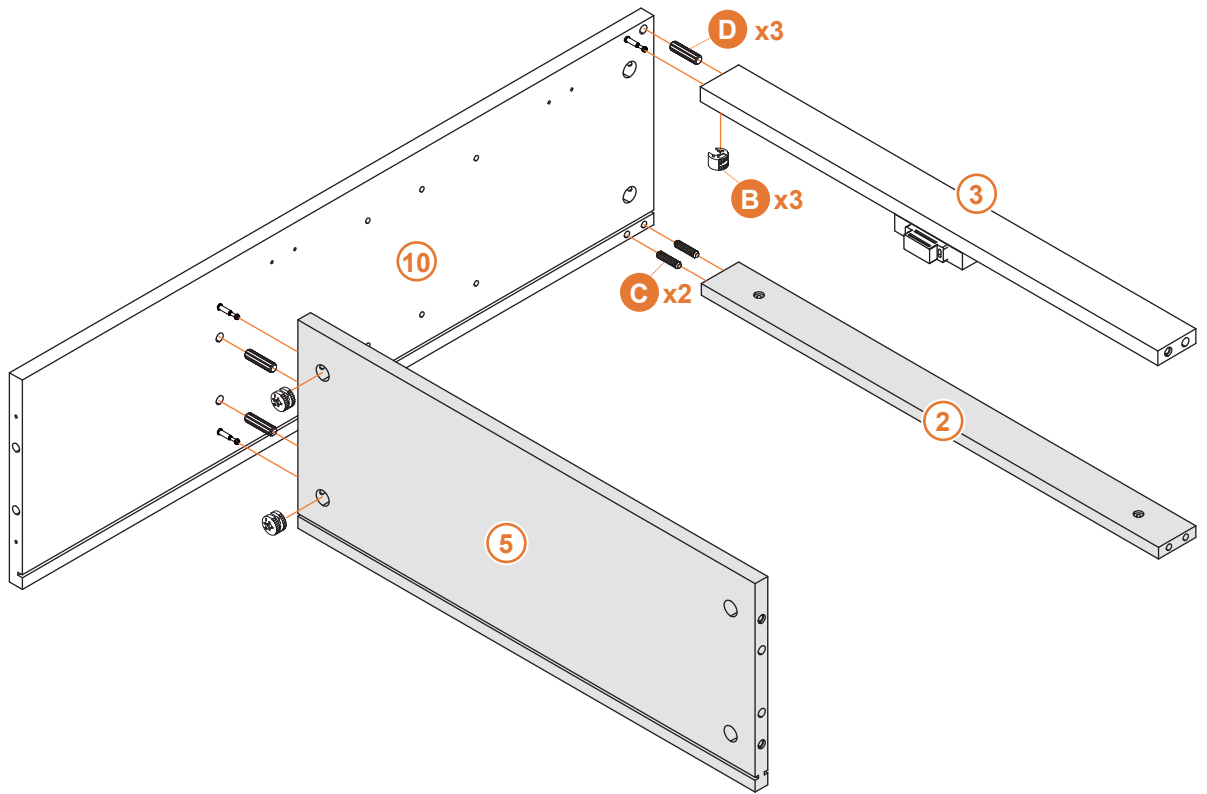
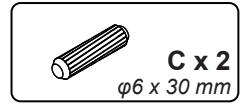
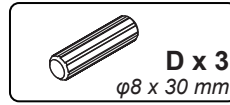
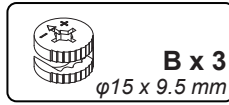
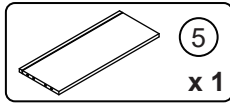
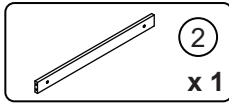
1



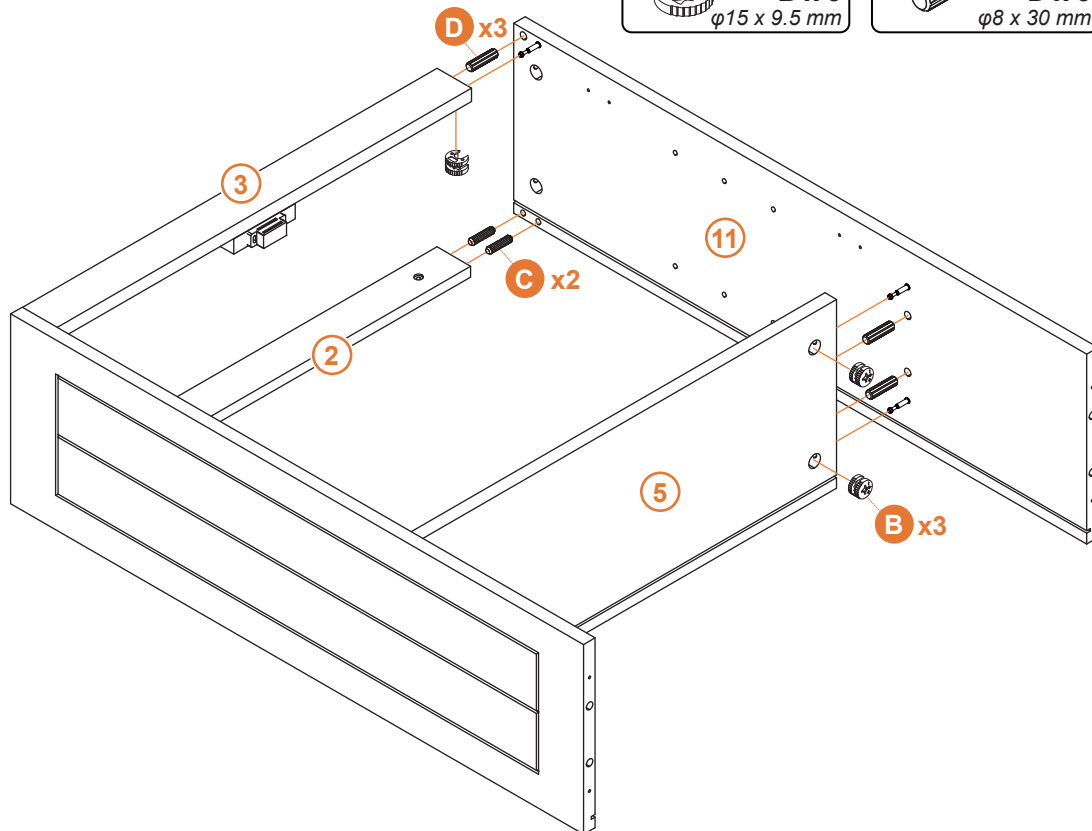
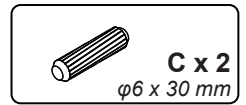
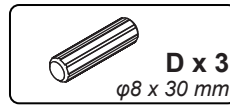
2



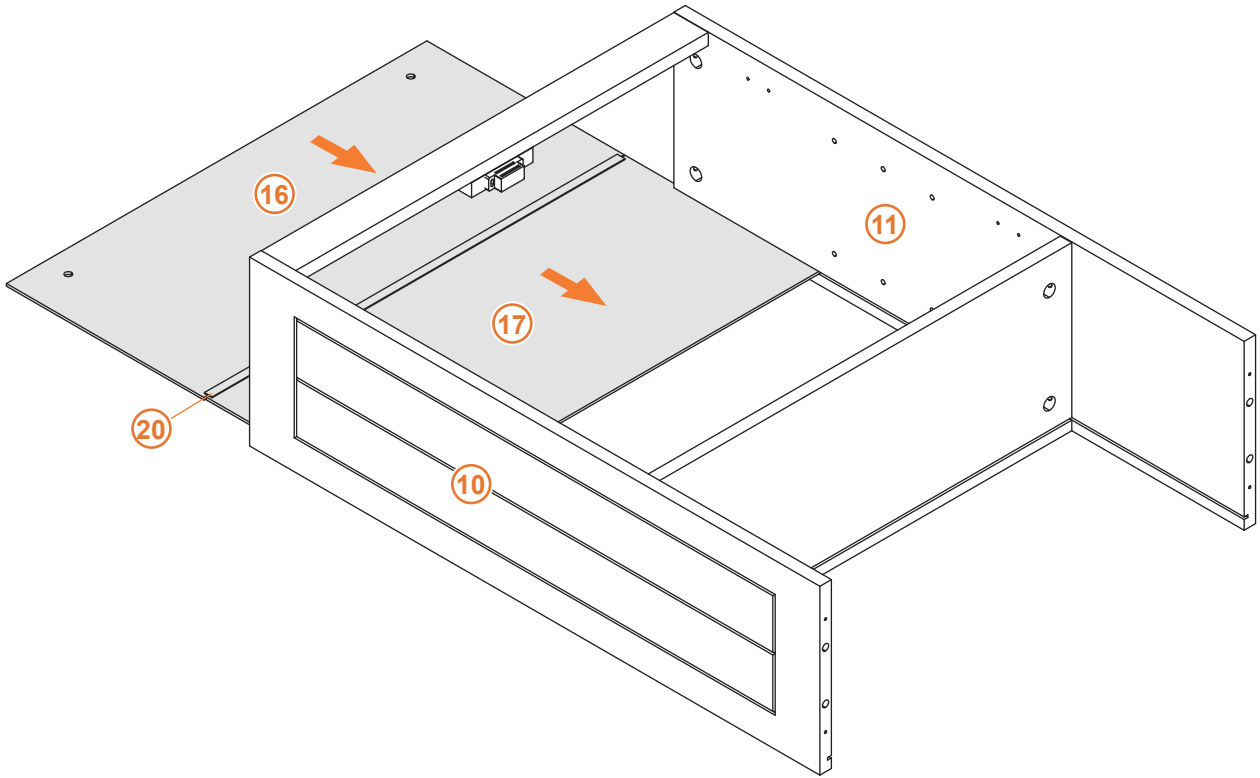
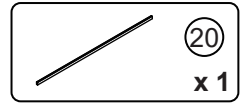
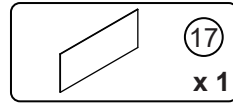
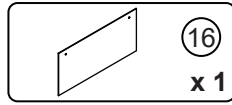
3



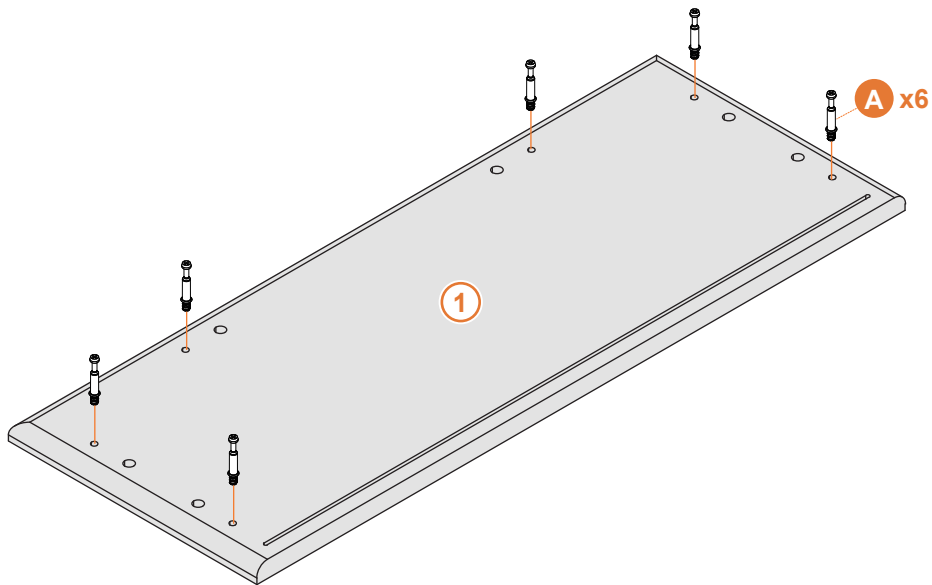
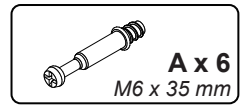
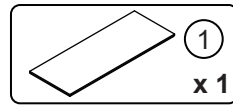
4



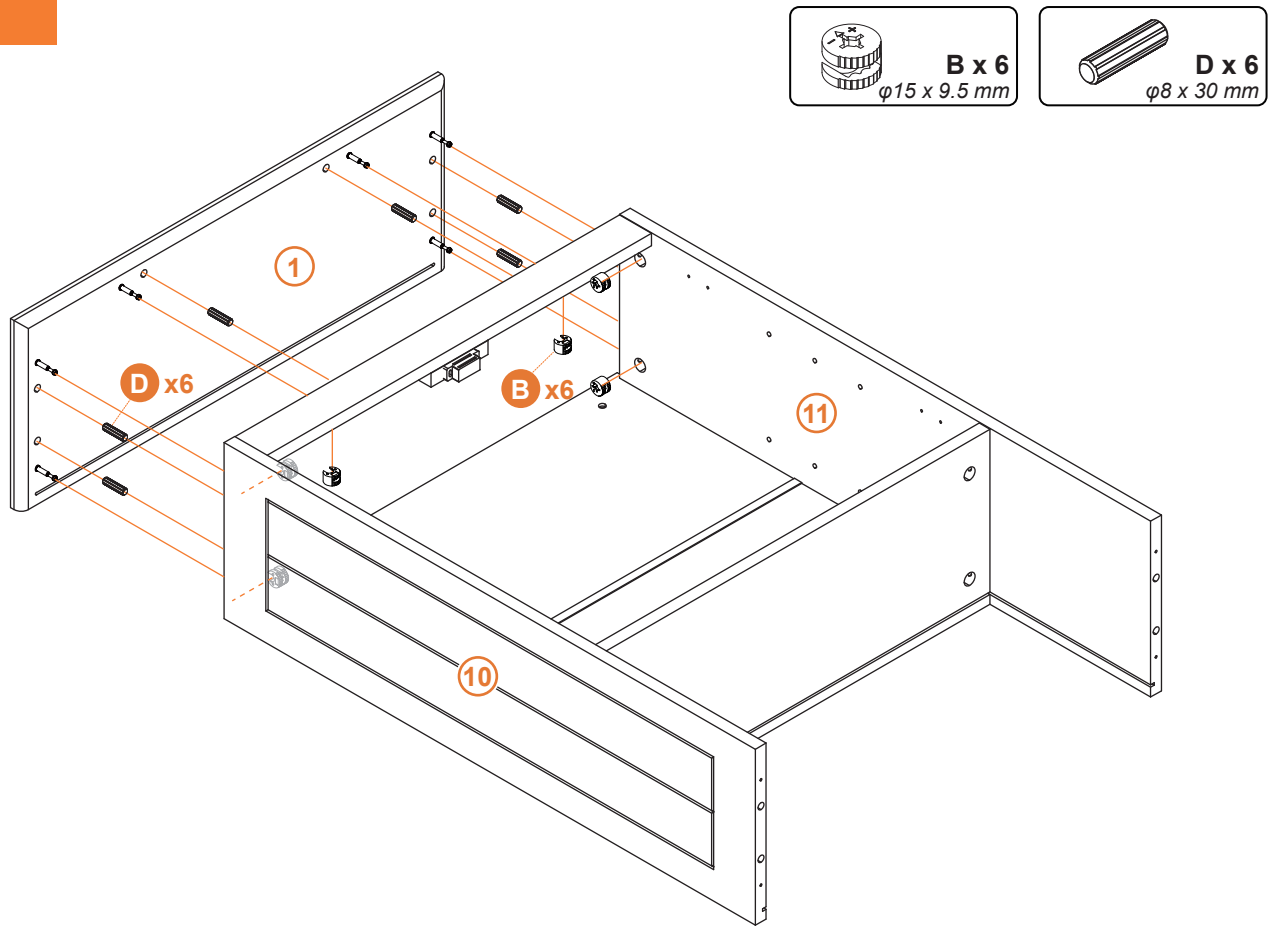
5



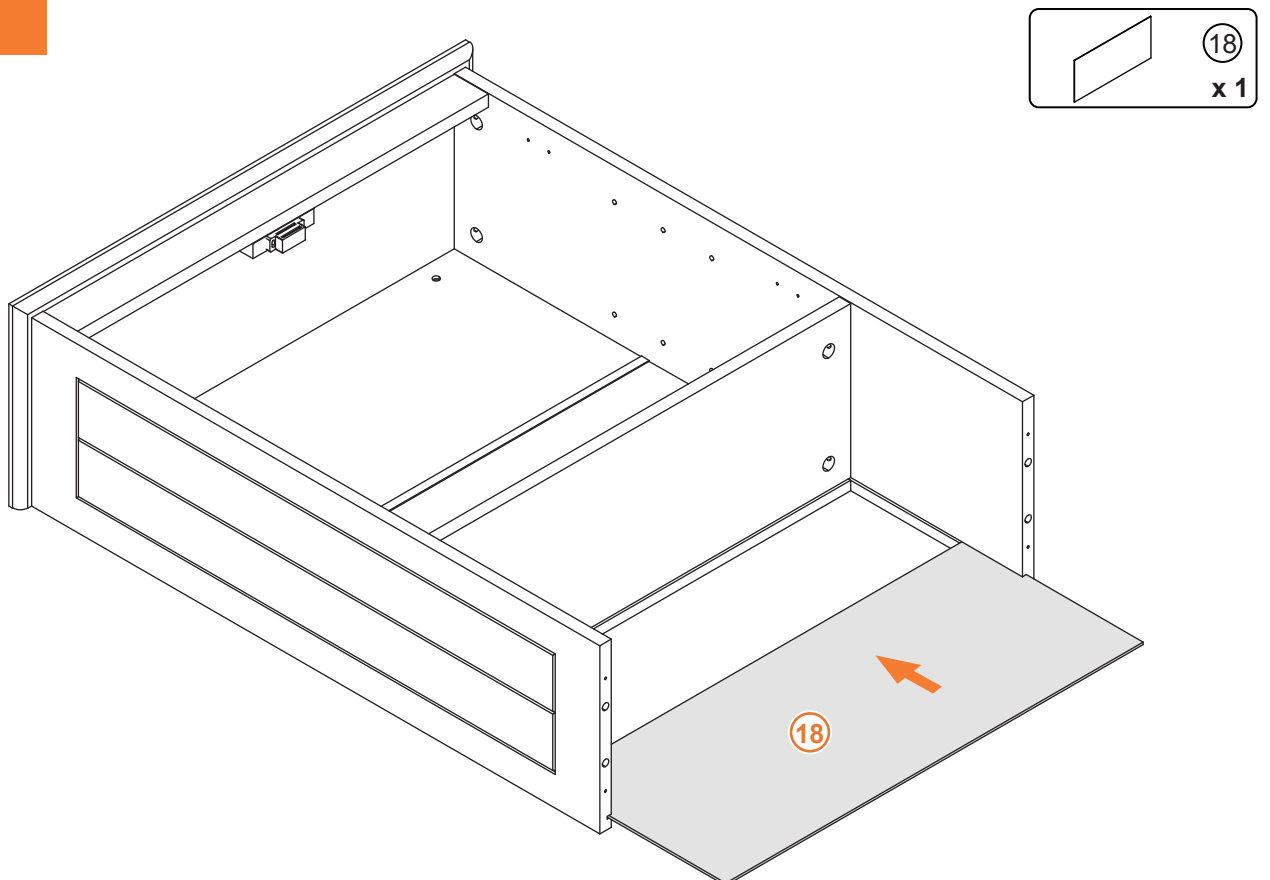
6



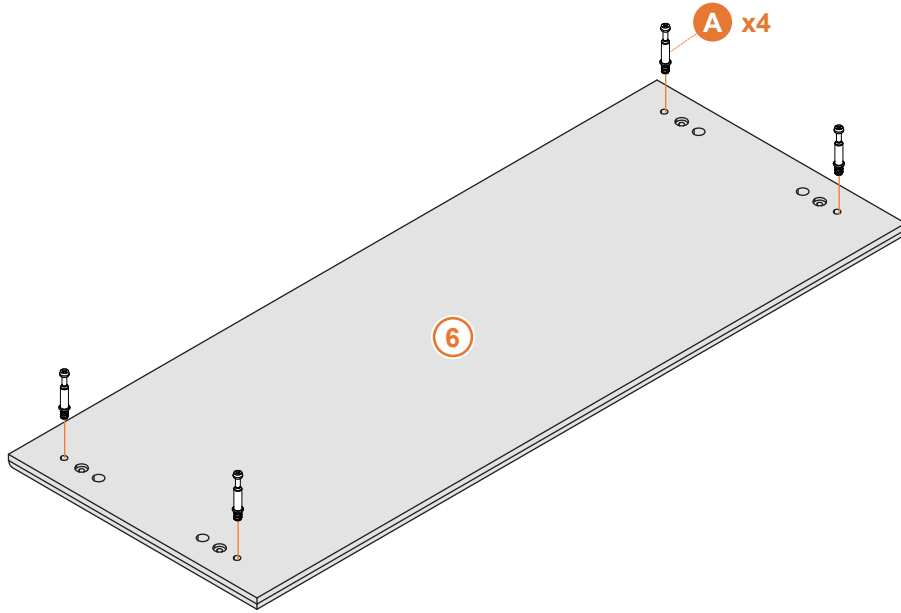
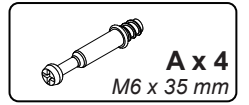
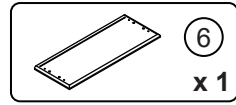
7



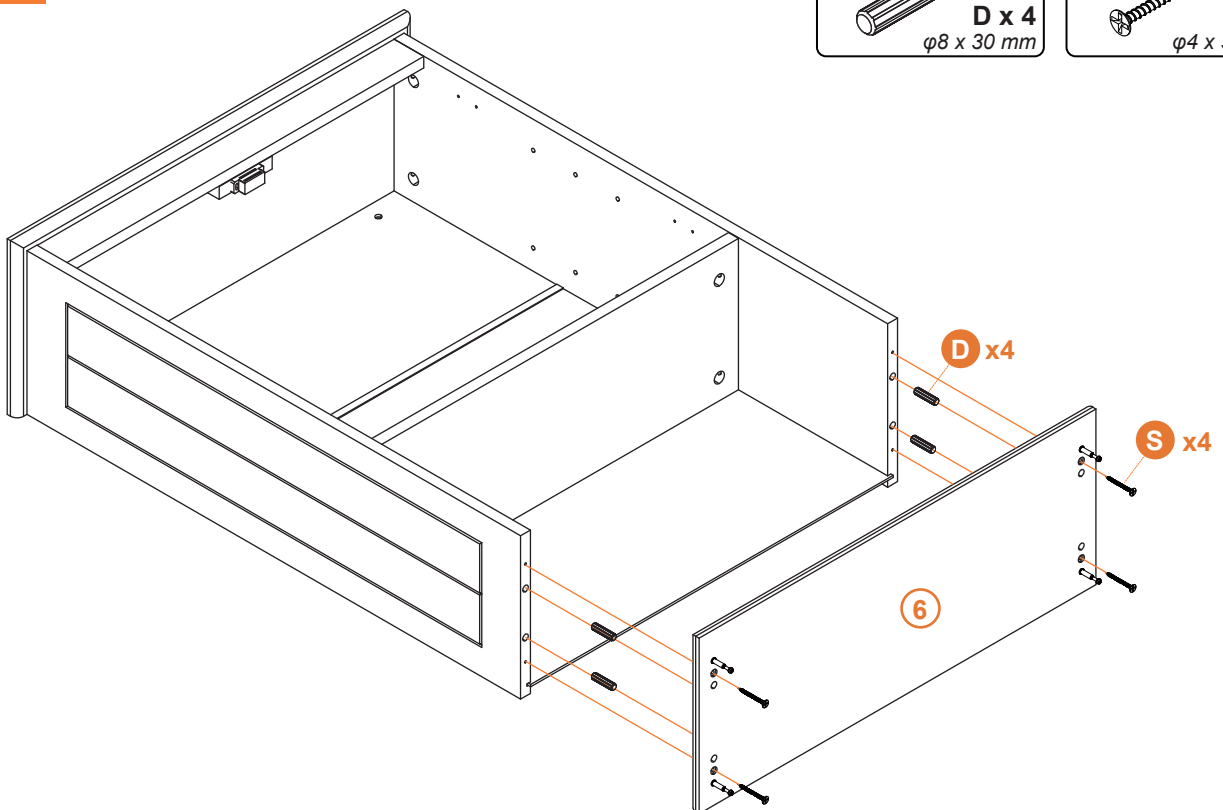
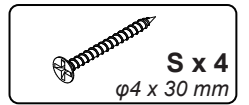
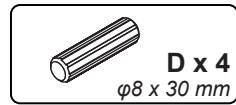
8



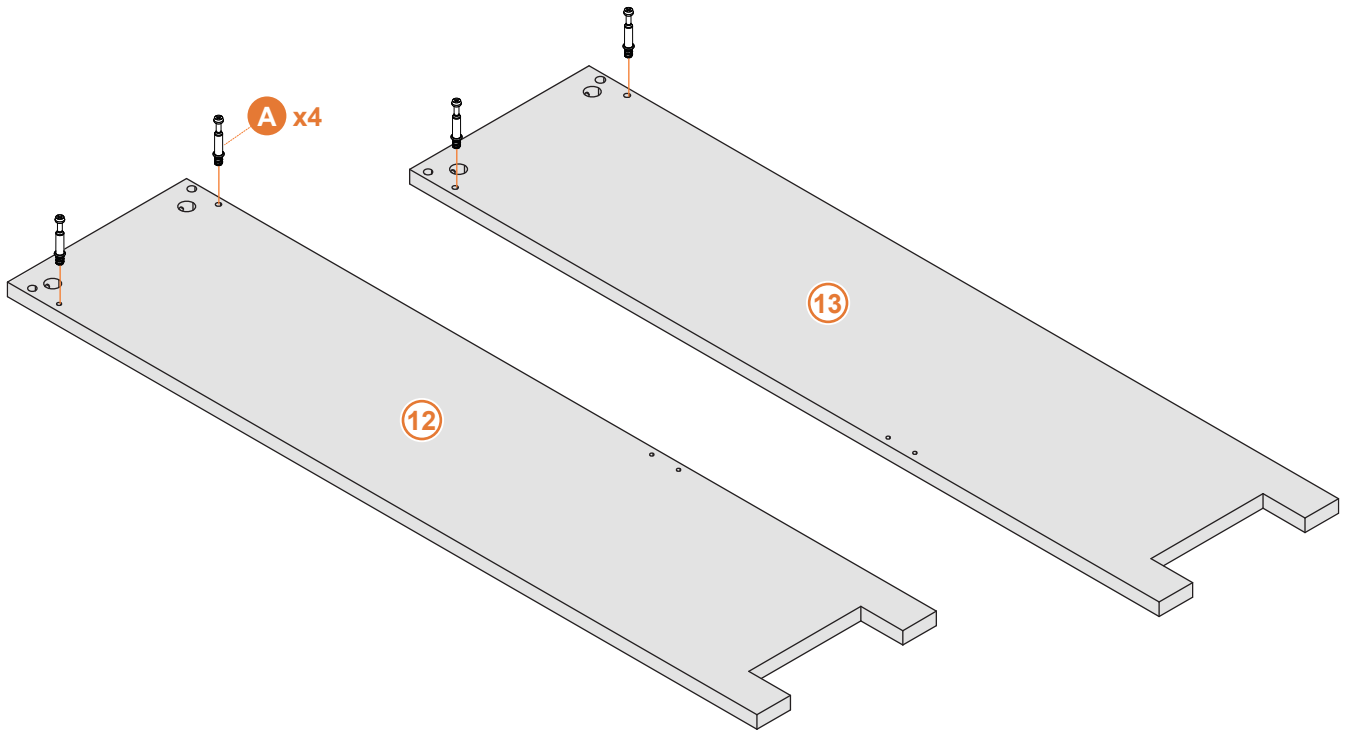
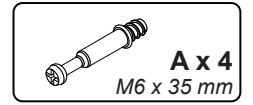
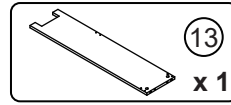
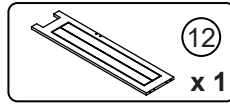
9



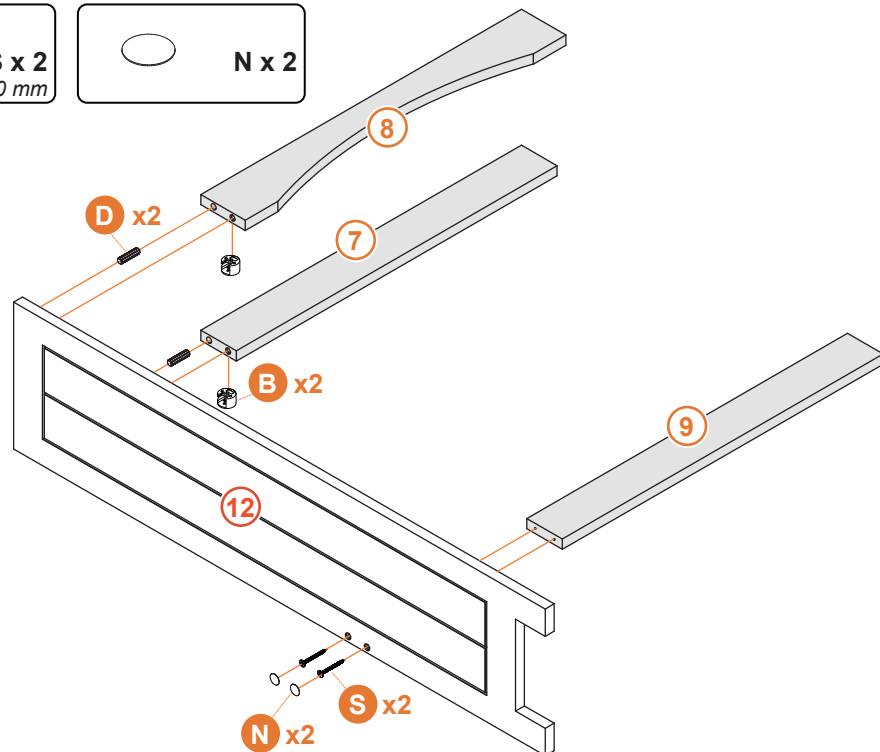
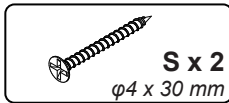
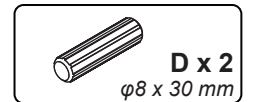
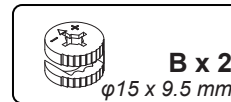
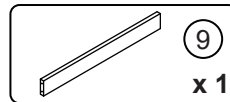
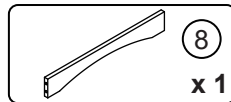
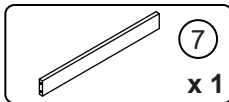
10



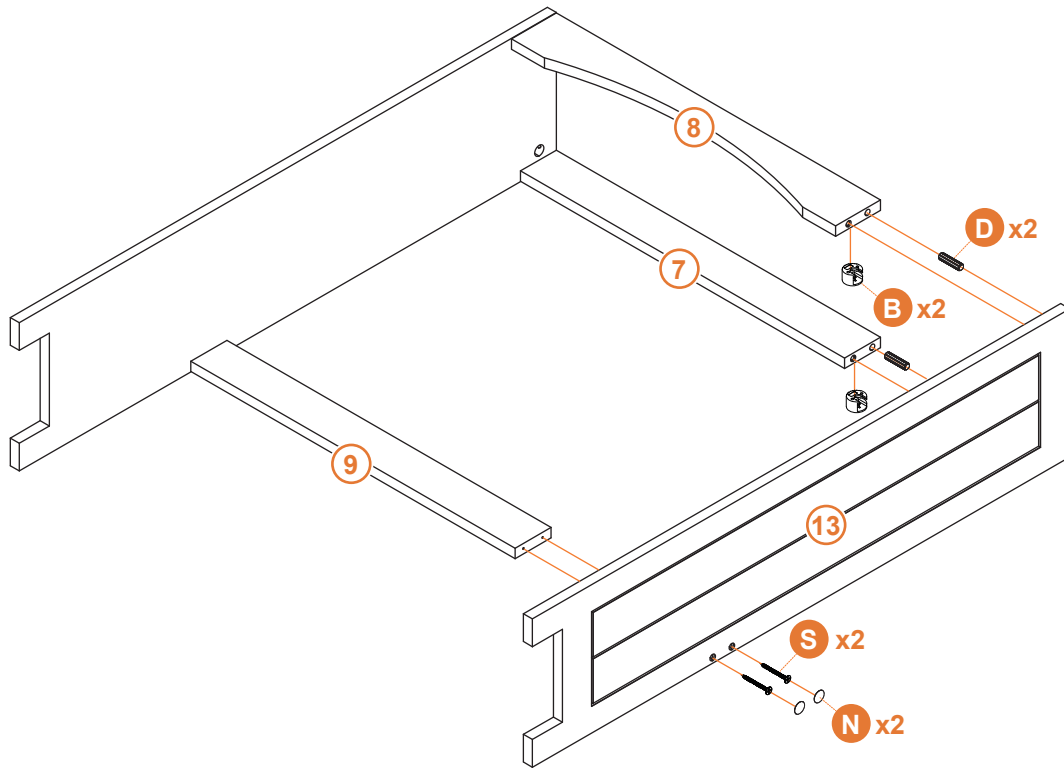
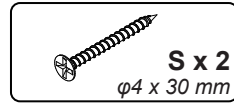
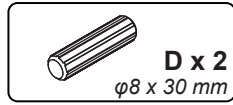
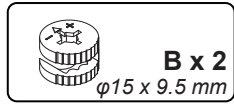
11



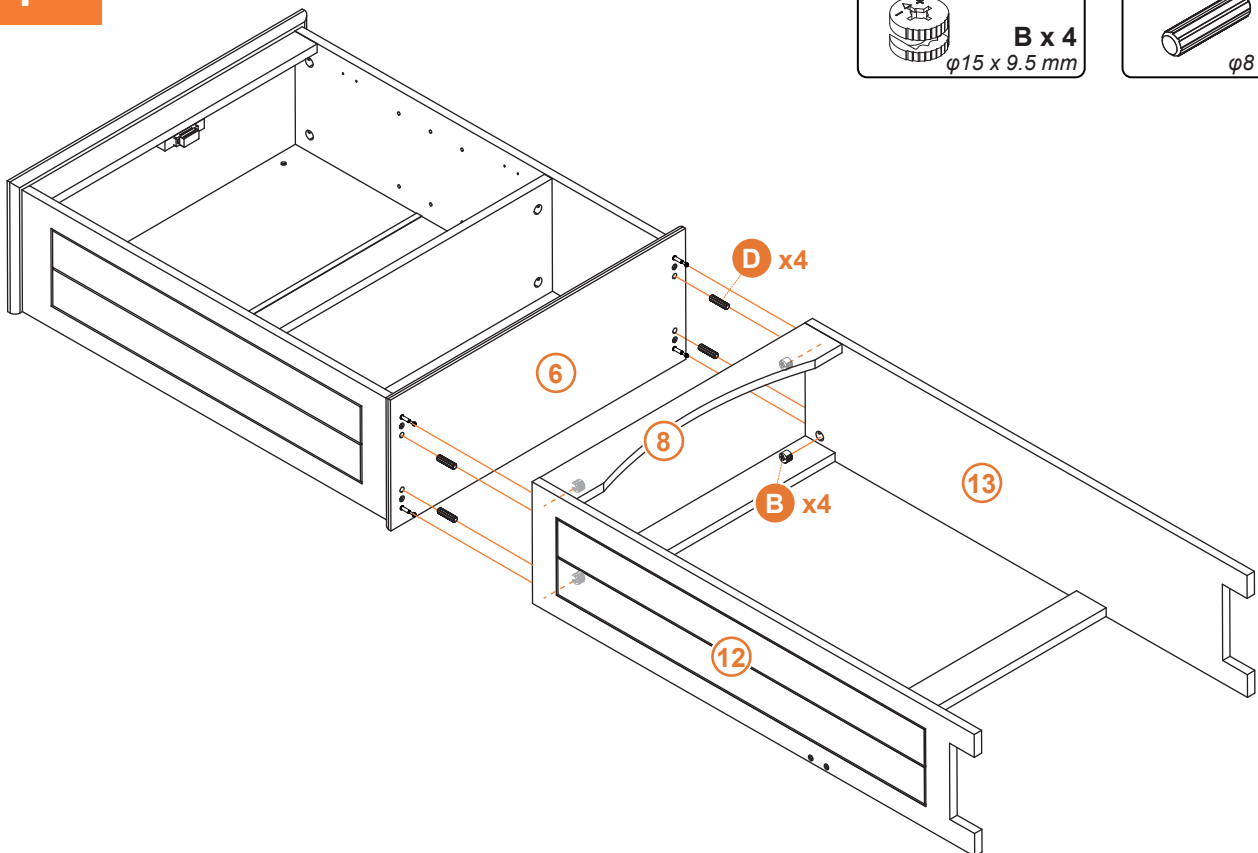
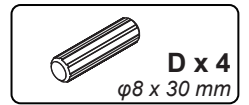
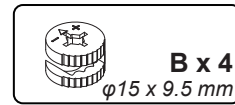
12



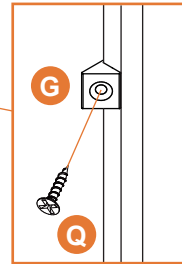
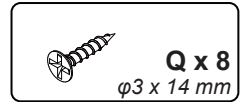
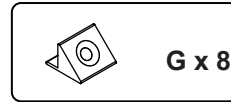
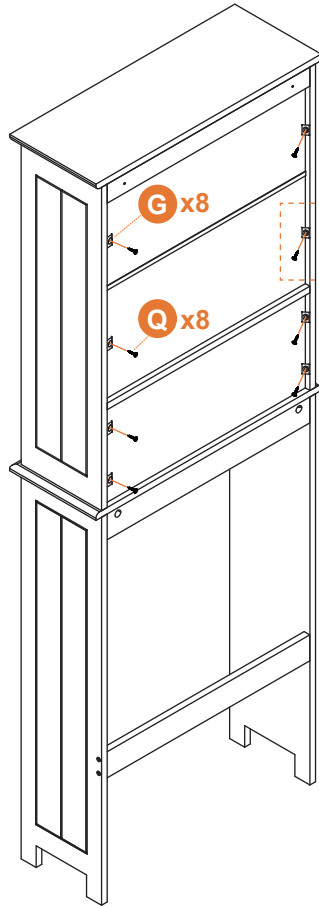
13



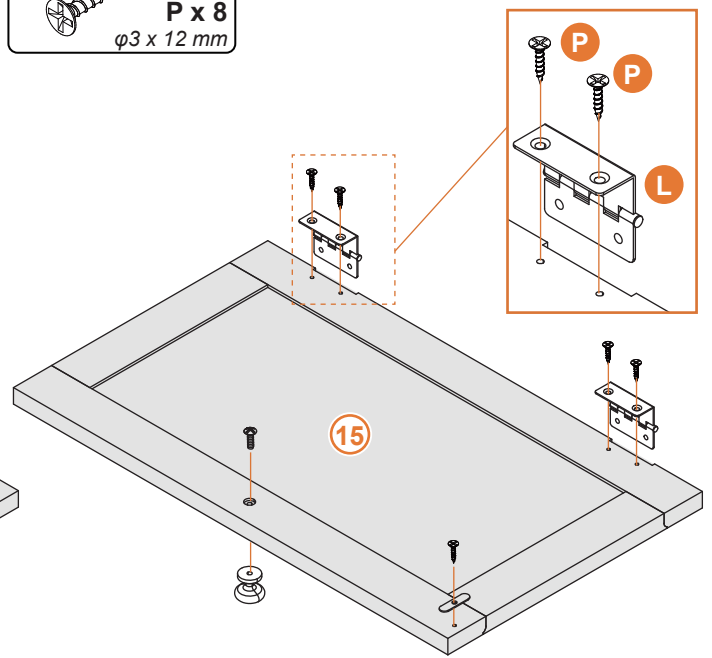
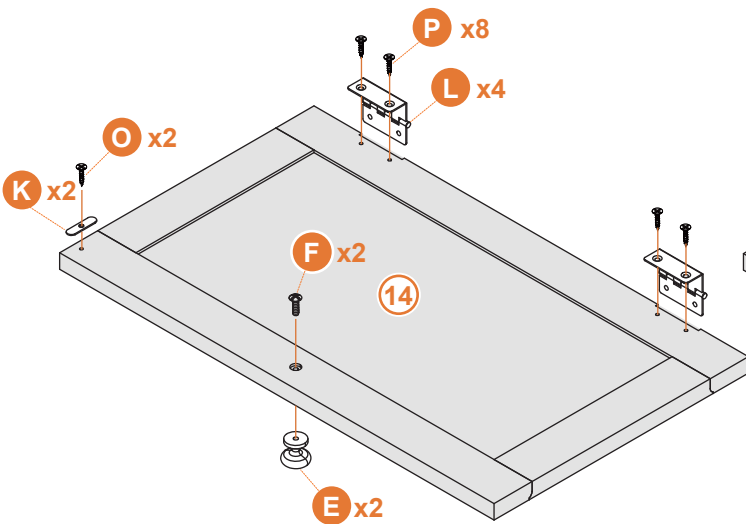
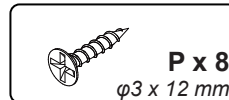
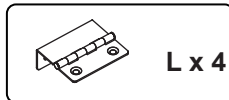
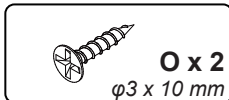
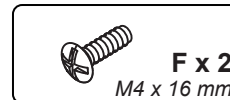
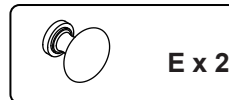
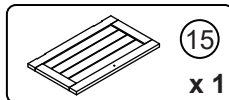
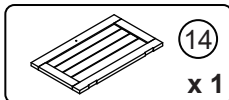
14



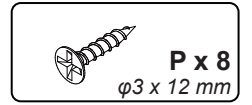
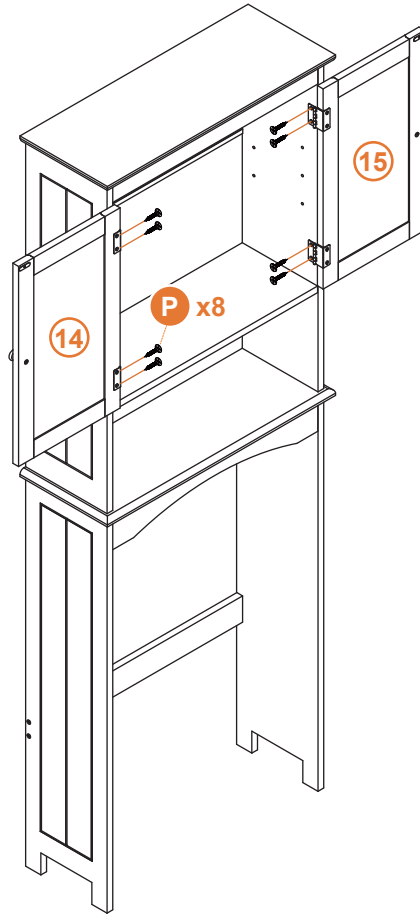
15



16



17



18

