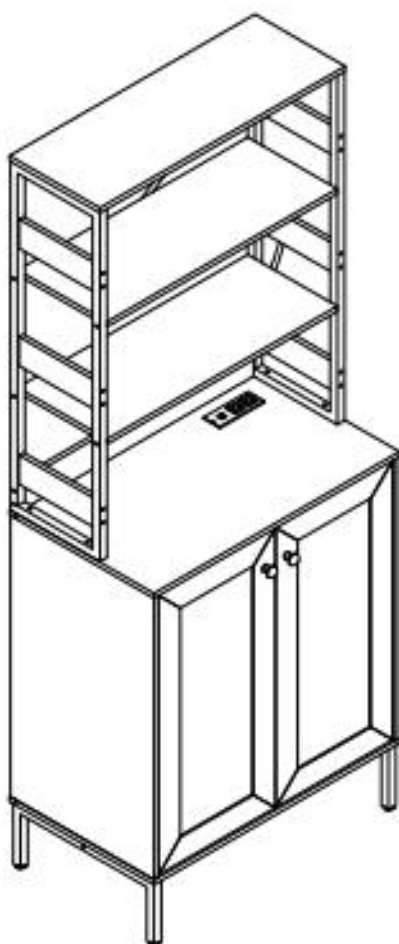


# Wine rack.

Product ID. Q7IP6




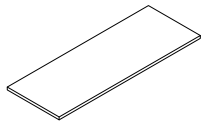
Scan for Support  
[support@garvee.com](mailto:support@garvee.com)



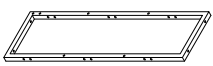
Distributed by  
**GARVEE**.com

Note: Do not tighten all screws in advance; tighten the screws after operating all steps.

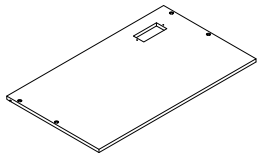
Componets 



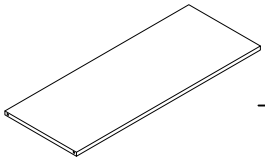
680\*250mm ① X 1



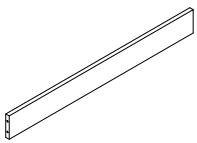
838\*248mm ② X 2



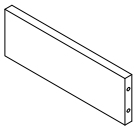
680\*400mm ③ X 1



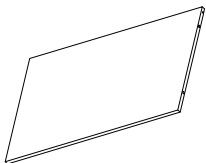
638\*248mm ④ X 2



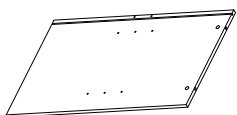
638\*70mm ⑤ X 1



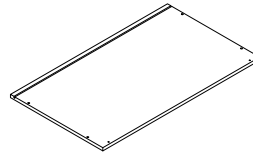
208\*70mm ⑥ X 6



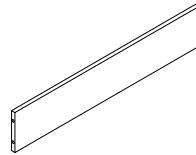
676\*398mm ⑦ X 1



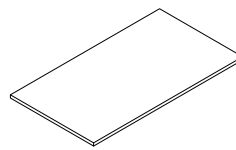
676\*398mm ⑧ X 1



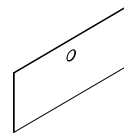
680\*400mm ⑨ X 1



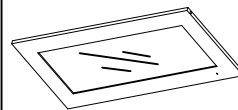
654\*100mm ⑩ X 1



646\*351mm ⑪ X 1



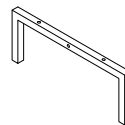
663\*297mm ⑫ X 2



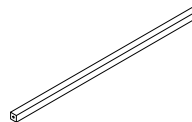
670\*323mm ⑬ X 1



670\*323mm ⑭ X 1








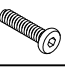



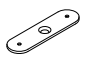
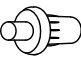
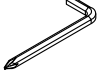





390\*150mm ⑮ X 2



630\*20mm ⑯ X 1


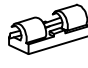


Note: Do not tighten all screws in advance; tighten the screws after operating all steps.

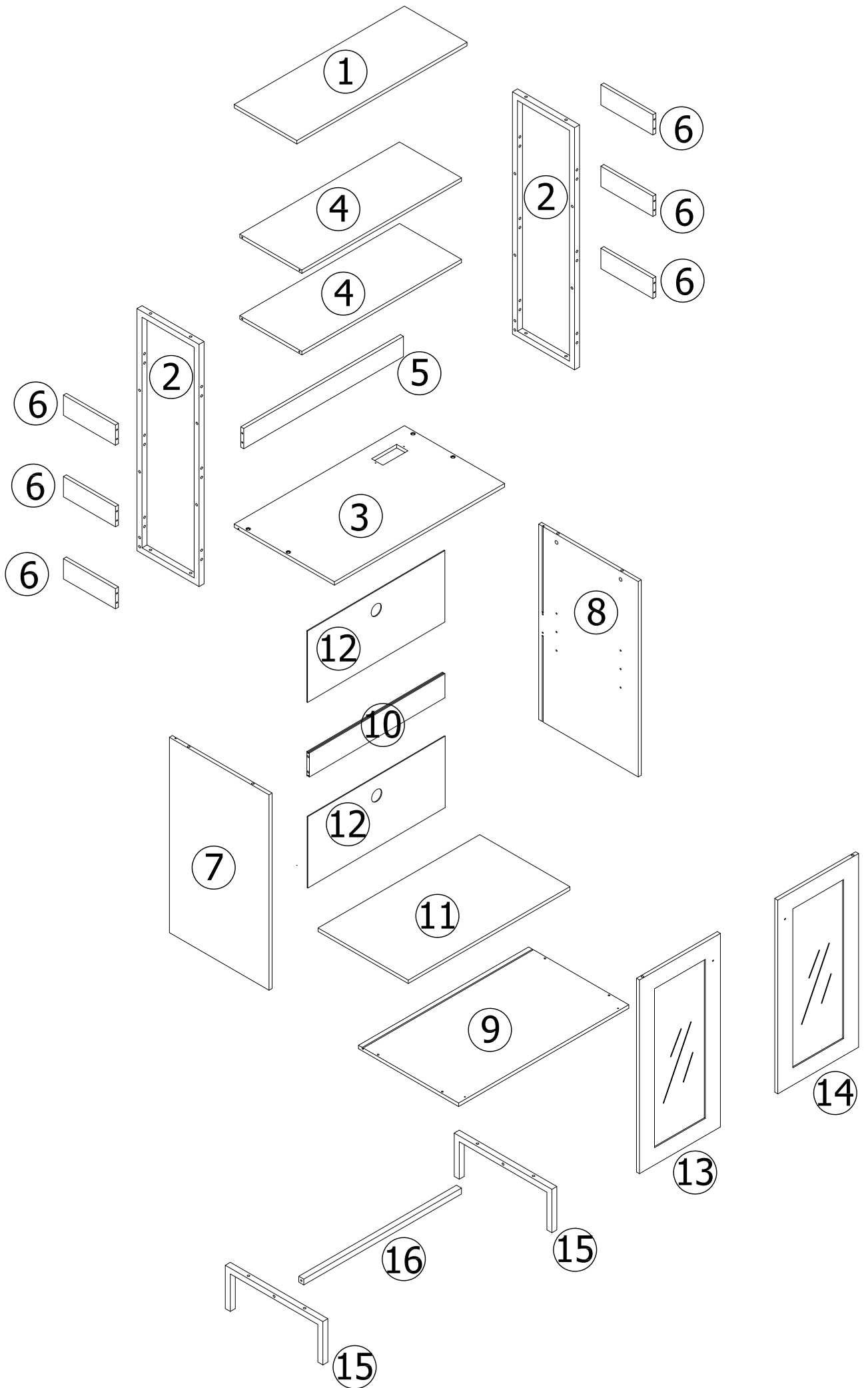
### Screws & Tools

<b>A</b>		Ø12x9.5	X 8
<b>B</b>		Ø8x35	X 8
<b>C</b>		Ø6x30	X 8
<b>D</b>		Ø7x40	X 36
<b>E</b>		Ø3x12	X 14
<b>F</b>		M6x28	X 12
<b>G</b>		Ø26	X 2
<b>H</b>		M4*16	X 2
<b>J</b>		L72*17*12mm	X 1
<b>K</b>		L45*12*1mm	X 2
<b>L</b>		Ø8x18+Ø5x7	X 4
<b>M</b>		M4	X 1
<b>N</b>		M3	X 1
<b>O</b>			X 1
<b>P</b>			X 1
<b>Q</b>			X 2
<b>R</b>			X 4

Check all components & screws before assembly.  
Do not install in case part is missing, contact us to get.  
Send email with your question to [support@garvee.com](mailto:support@garvee.com).  
We will resend within 24 hours.

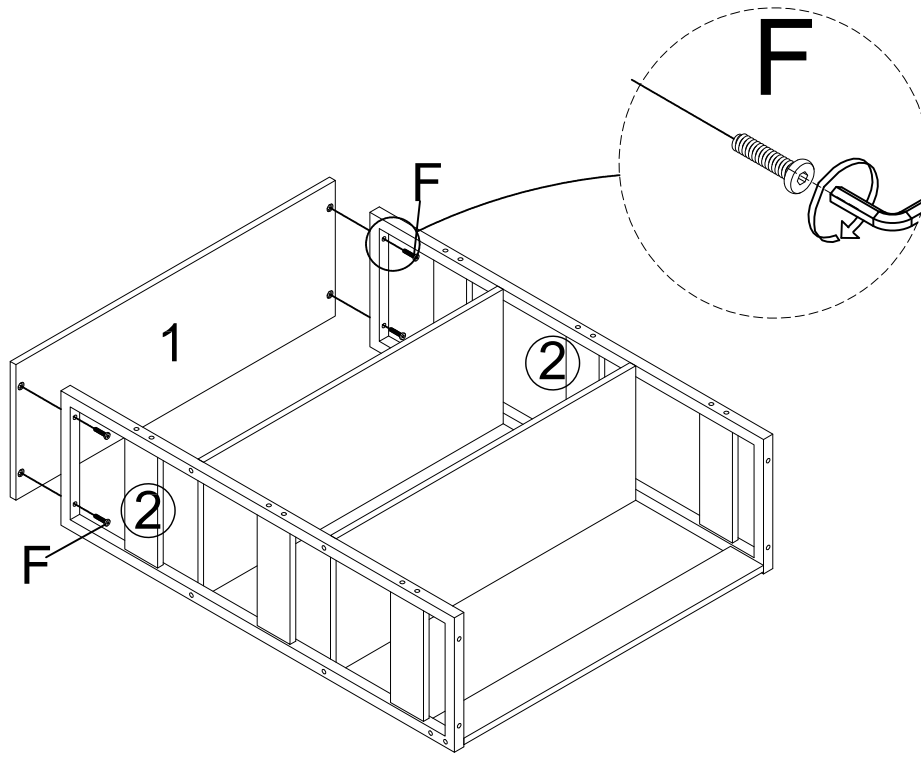
### Screws & Tools

<b>S</b>		Ø5	X 4
<b>T</b>			X 2
<b>U</b>		Ø5x40	X 4
<b>V</b>		M6x38	X 2

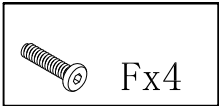




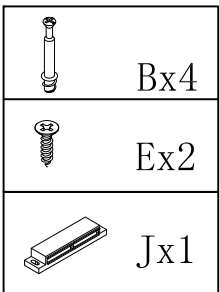
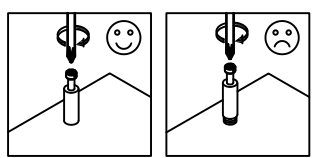
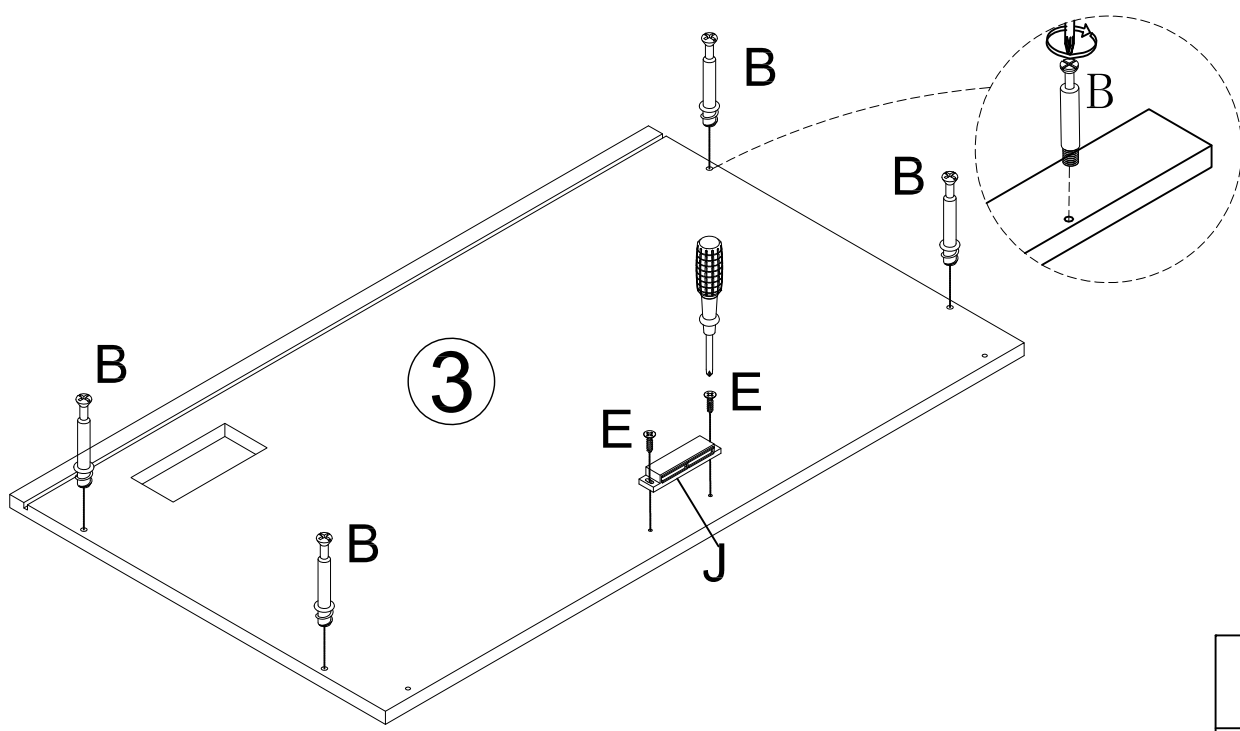
# STEP 3



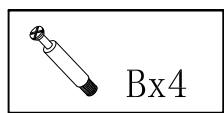
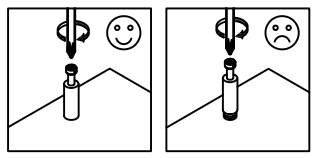
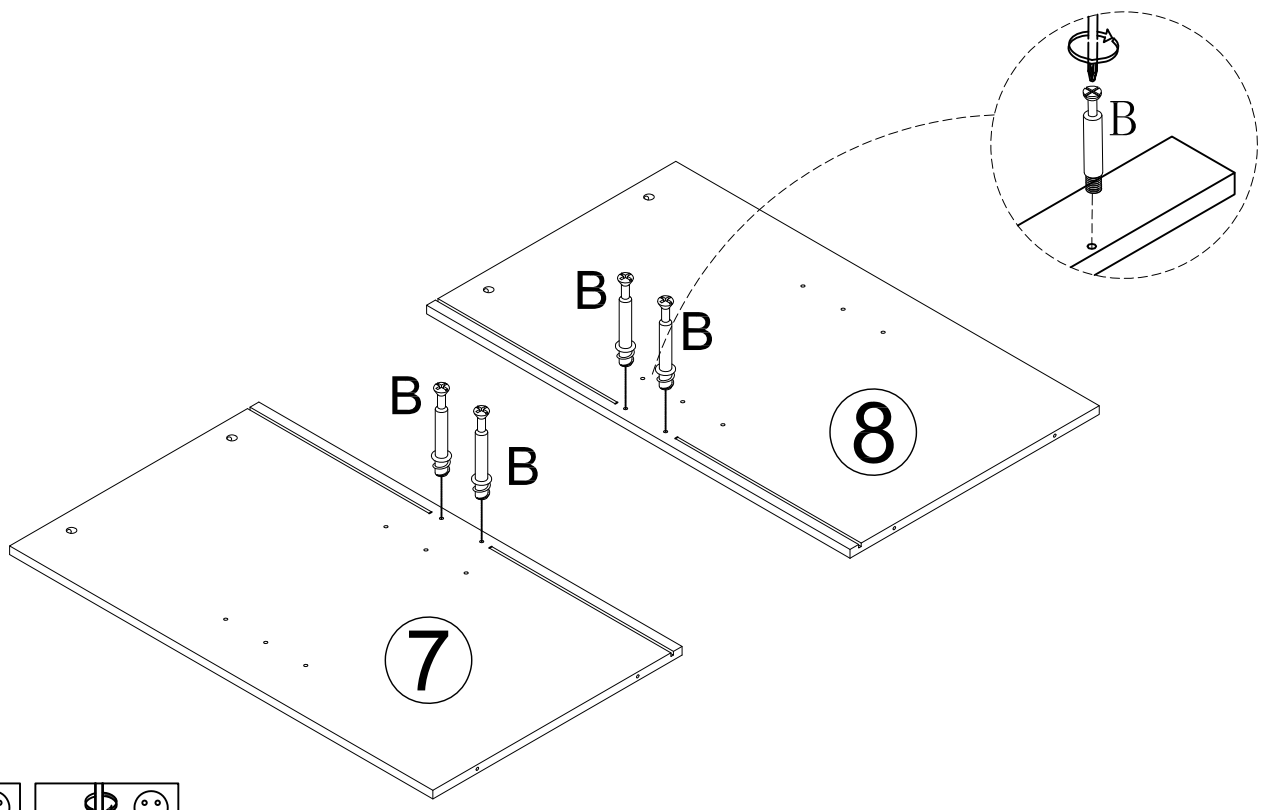
# M



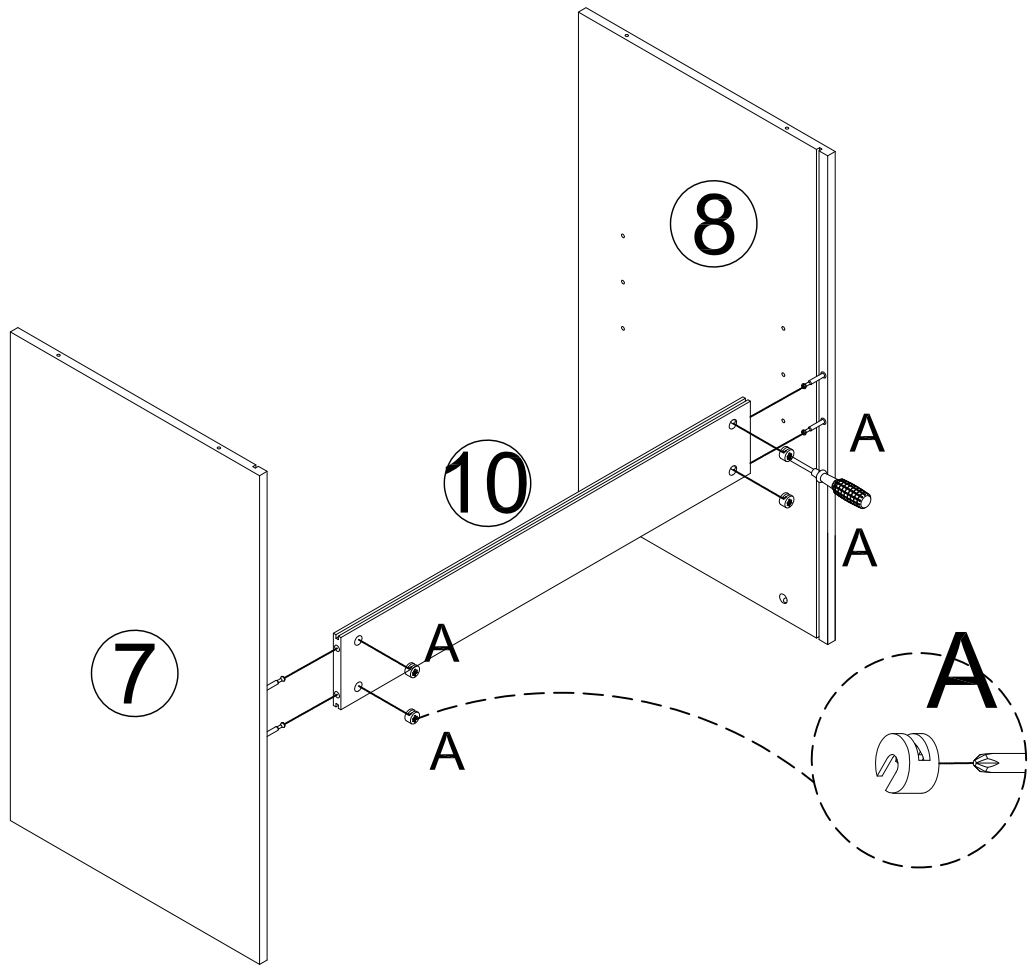
# STEP 4



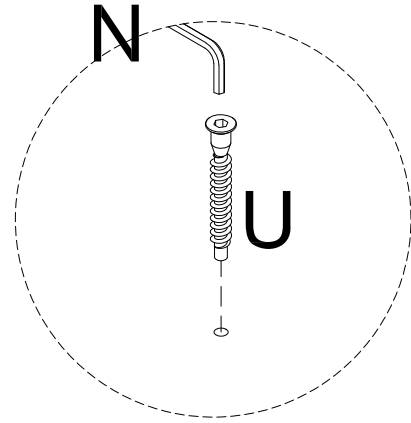
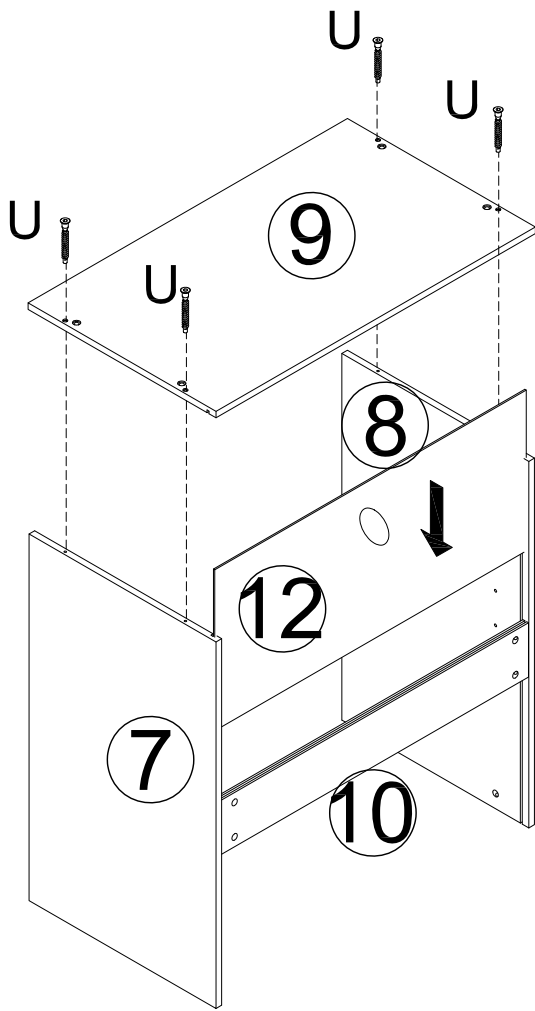
STEP 5



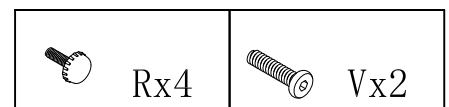
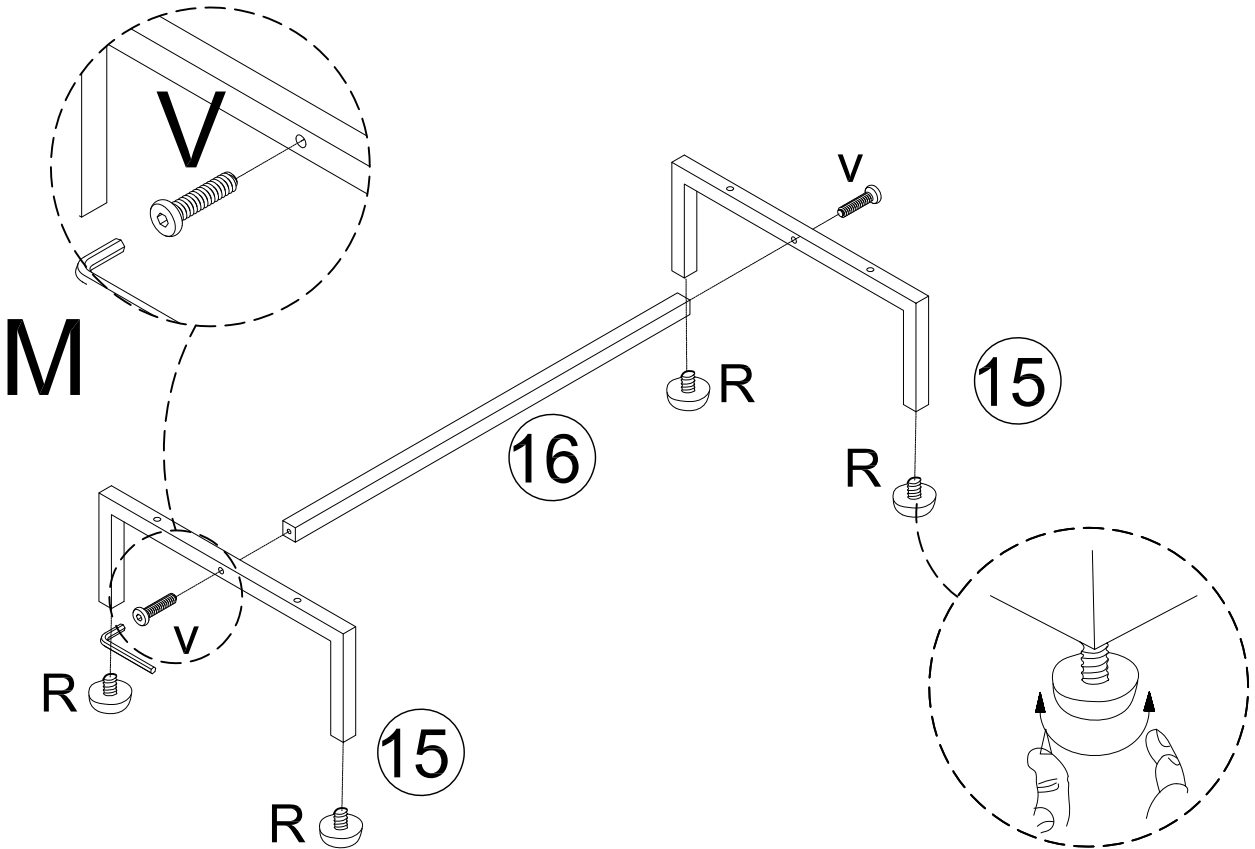
STEP 6



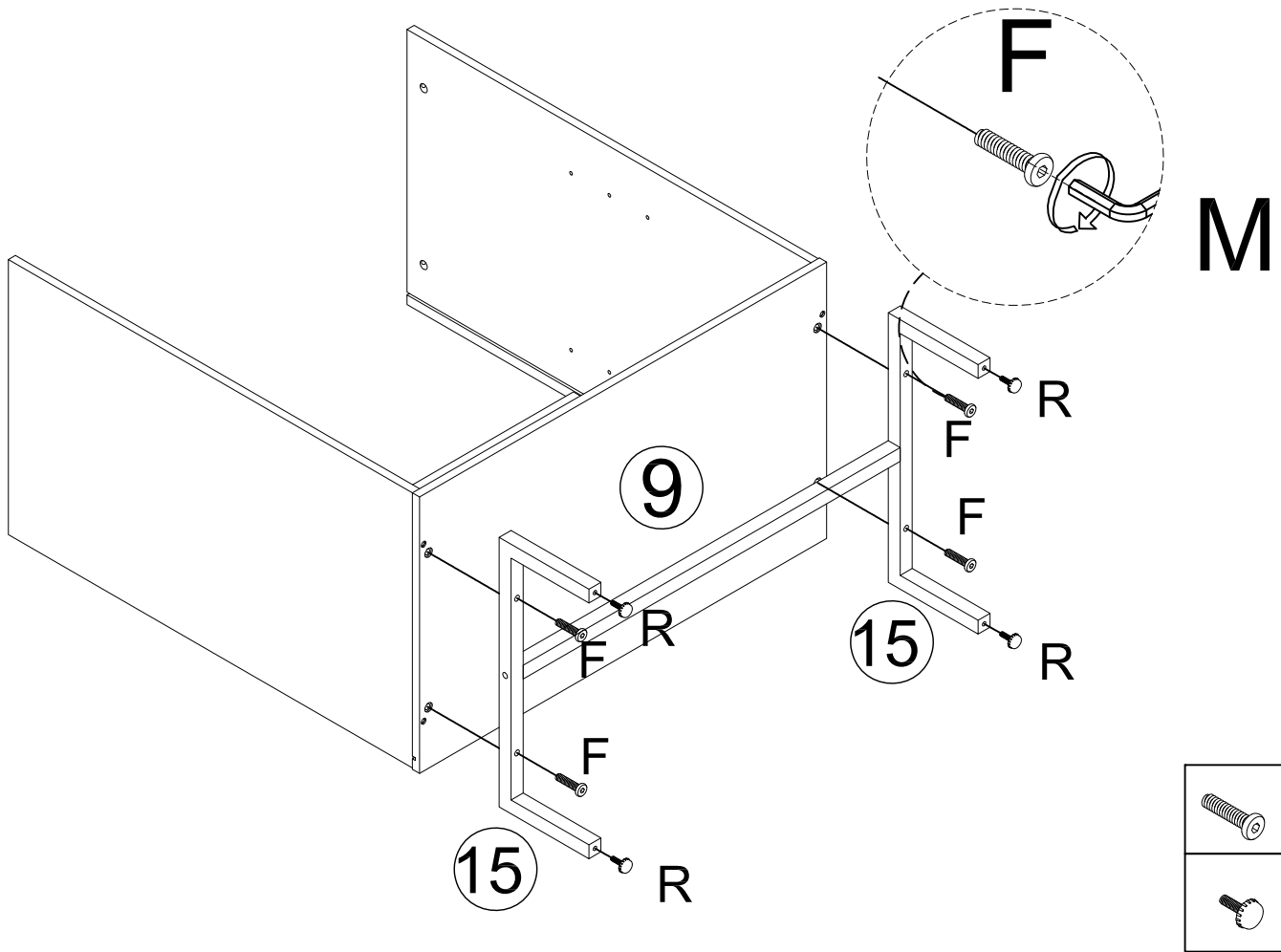
STEP 7



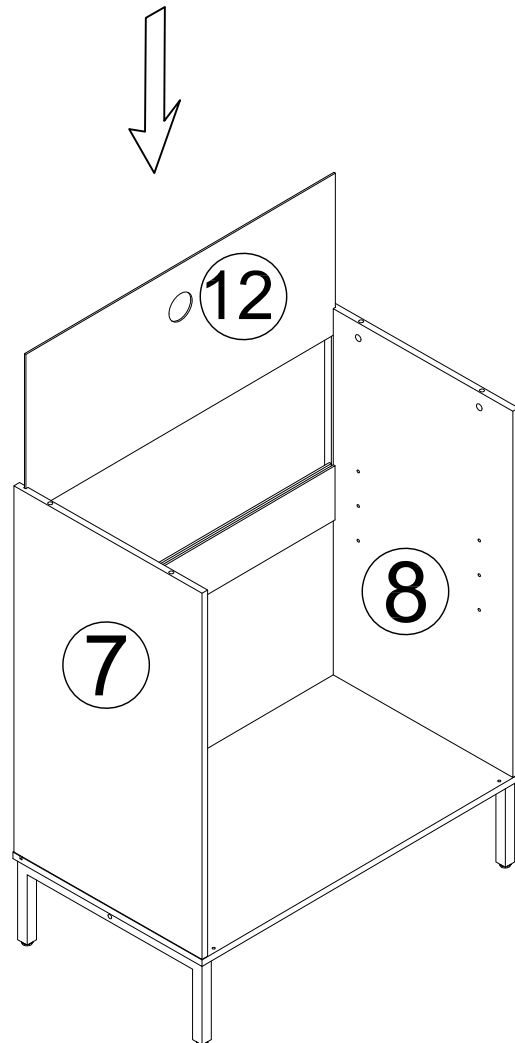
STEP 8



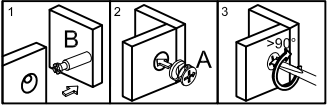
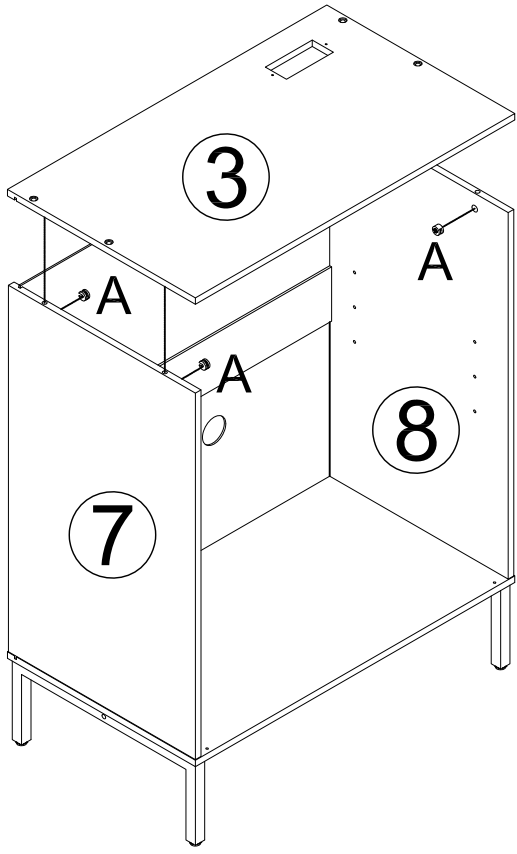
STEP 9



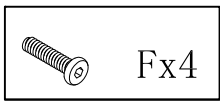
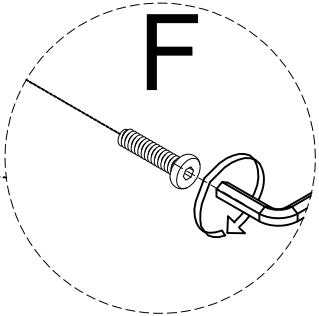
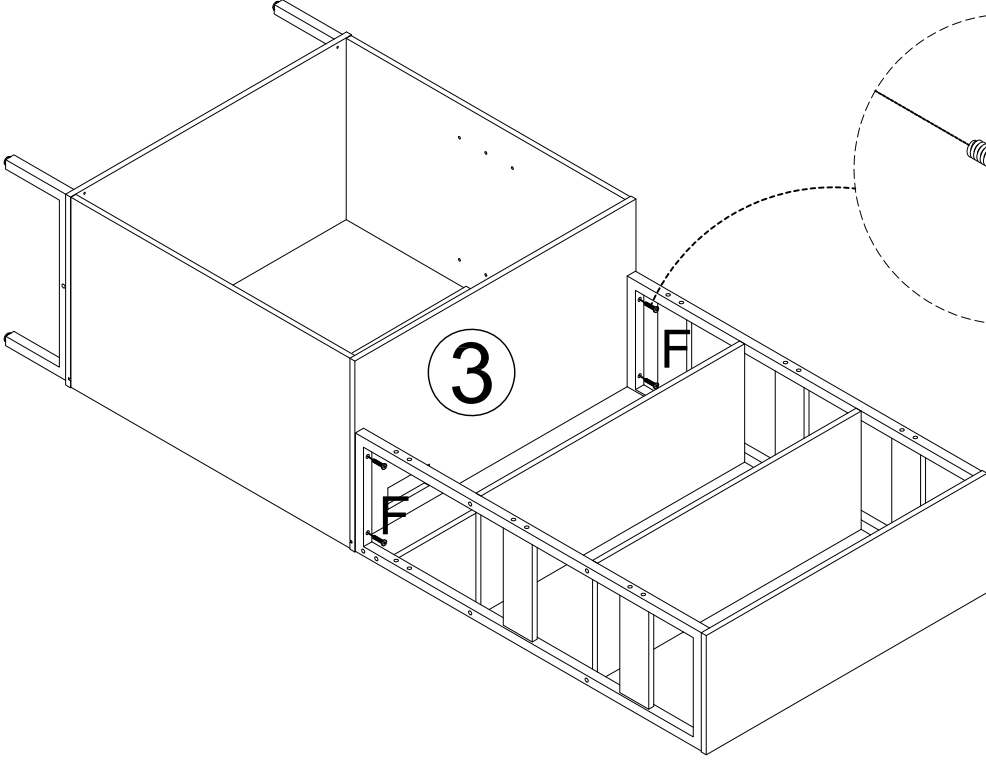
STEP 10



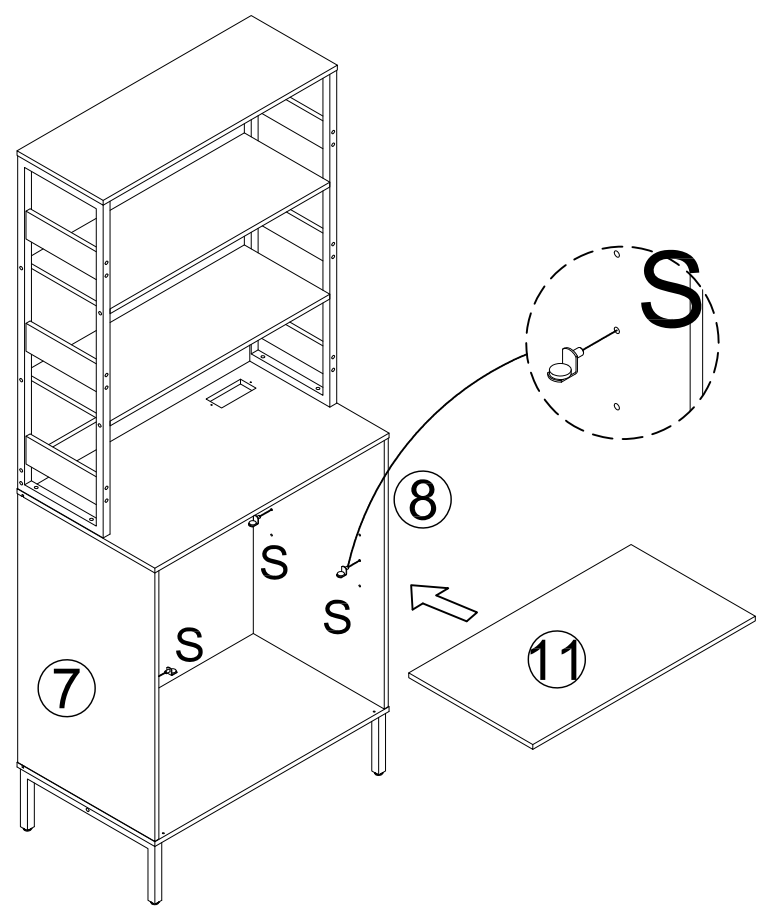
STEP 11



STEP 12

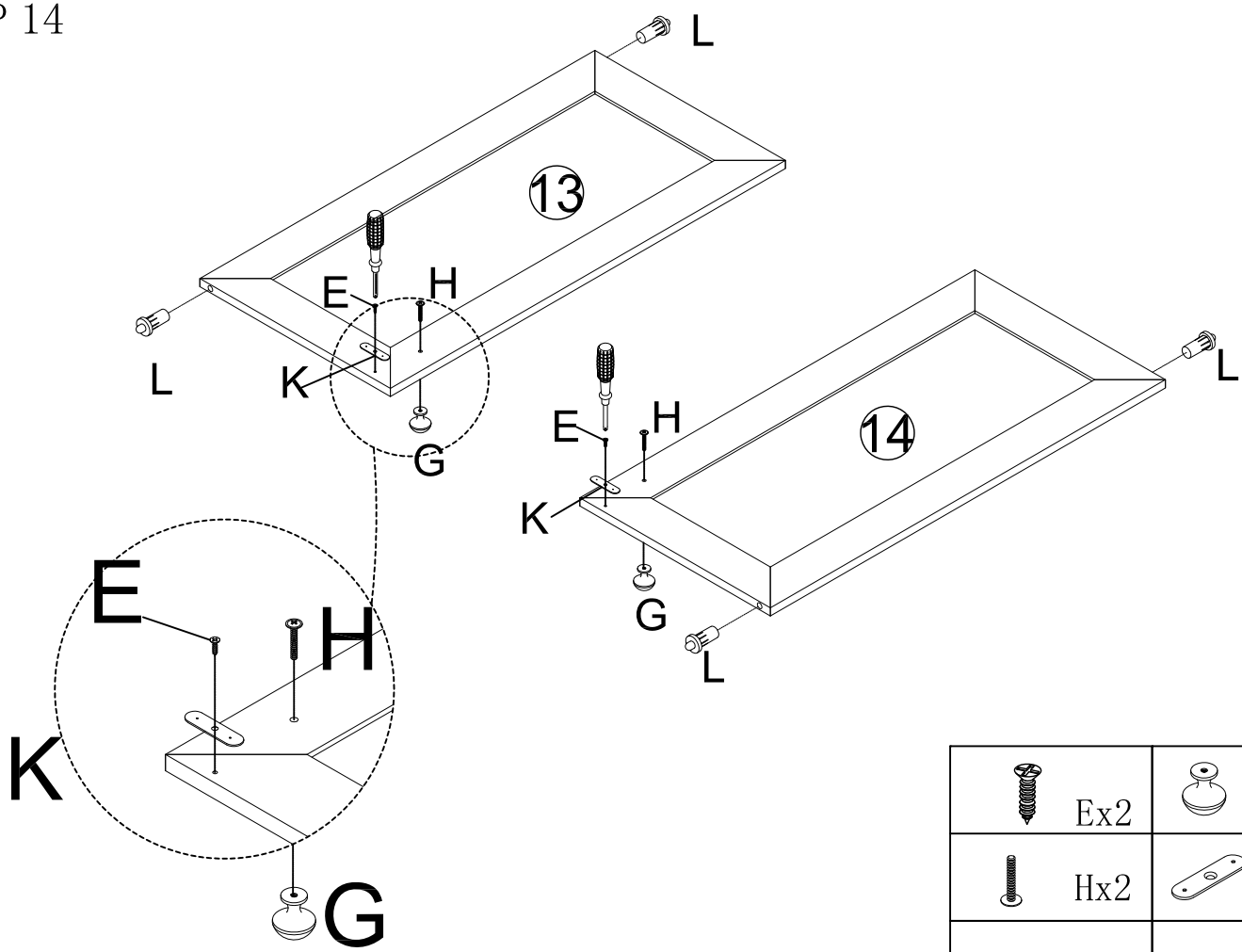







STEP 13



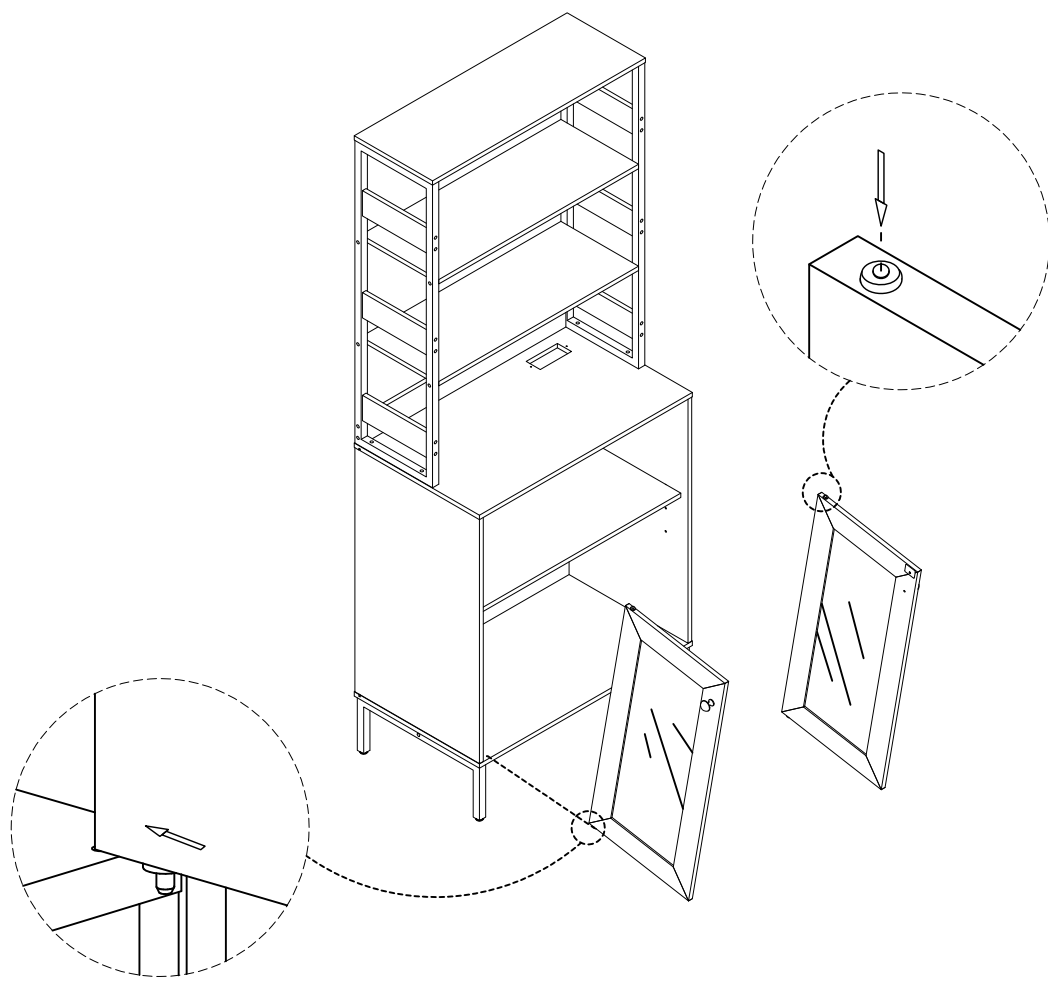
 Sx4

STEP 14

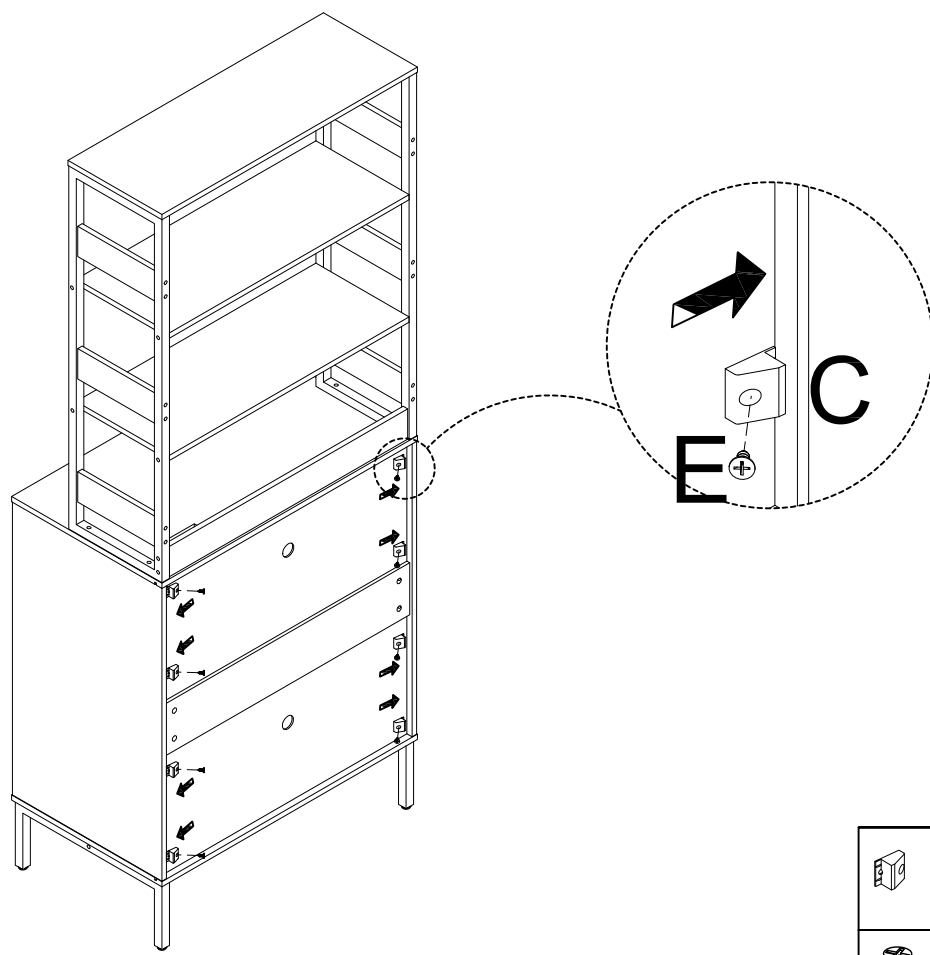




	Ex2		Gx2
	Hx2		Kx2
	Lx4		

STEP 15

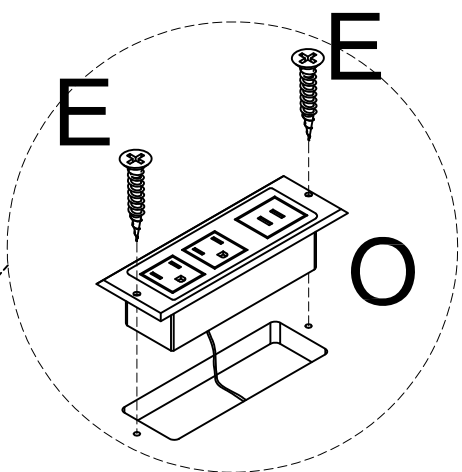
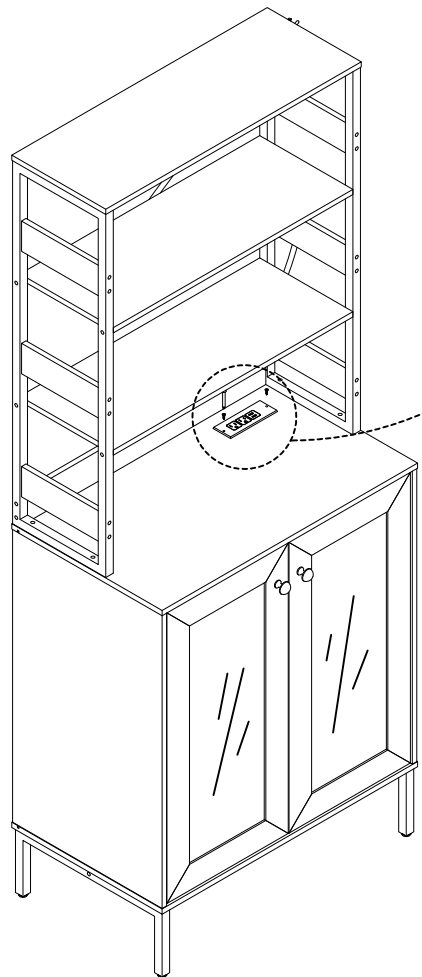


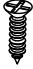

STEP 16



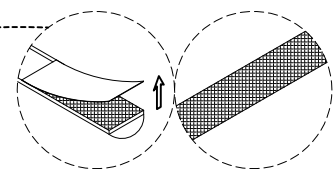
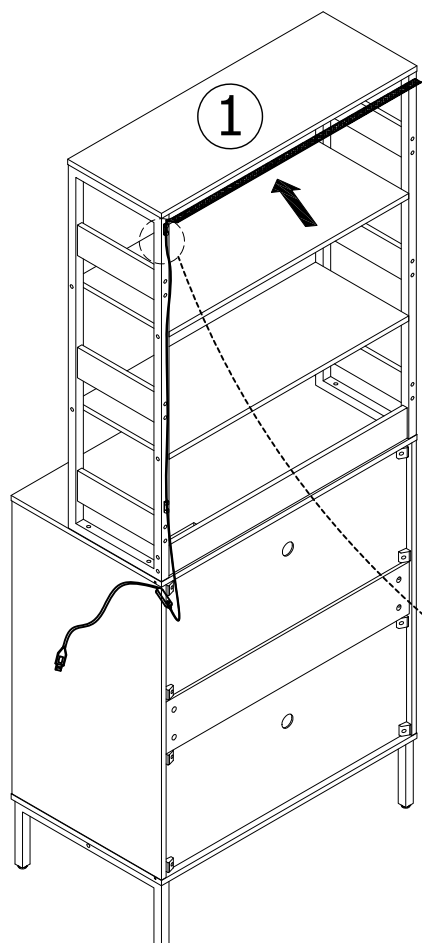
	Cx8
	Ex8

# STEP 17

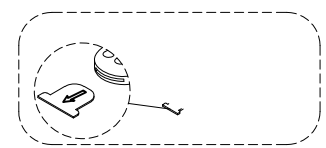


	E x 2
	O x 1

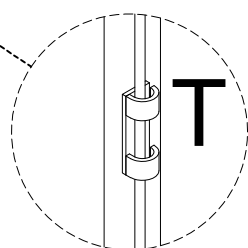
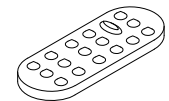
# STEP 18





Tear off the tape and apply it to the plate, Then press it firmly with your hand

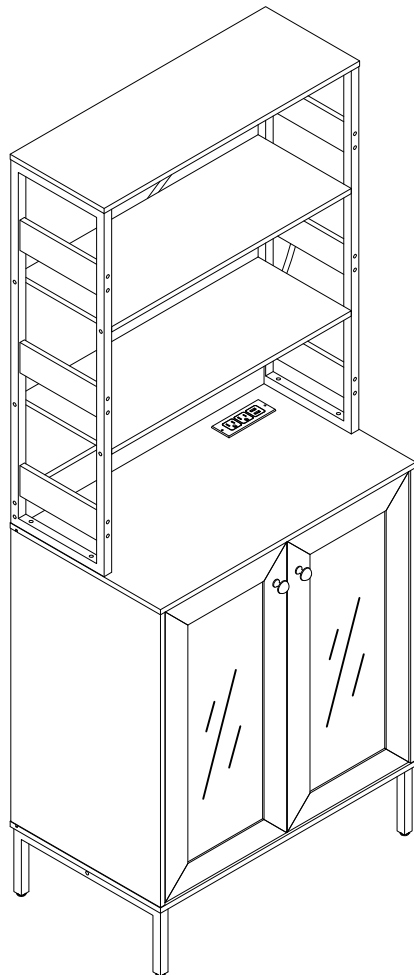
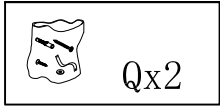
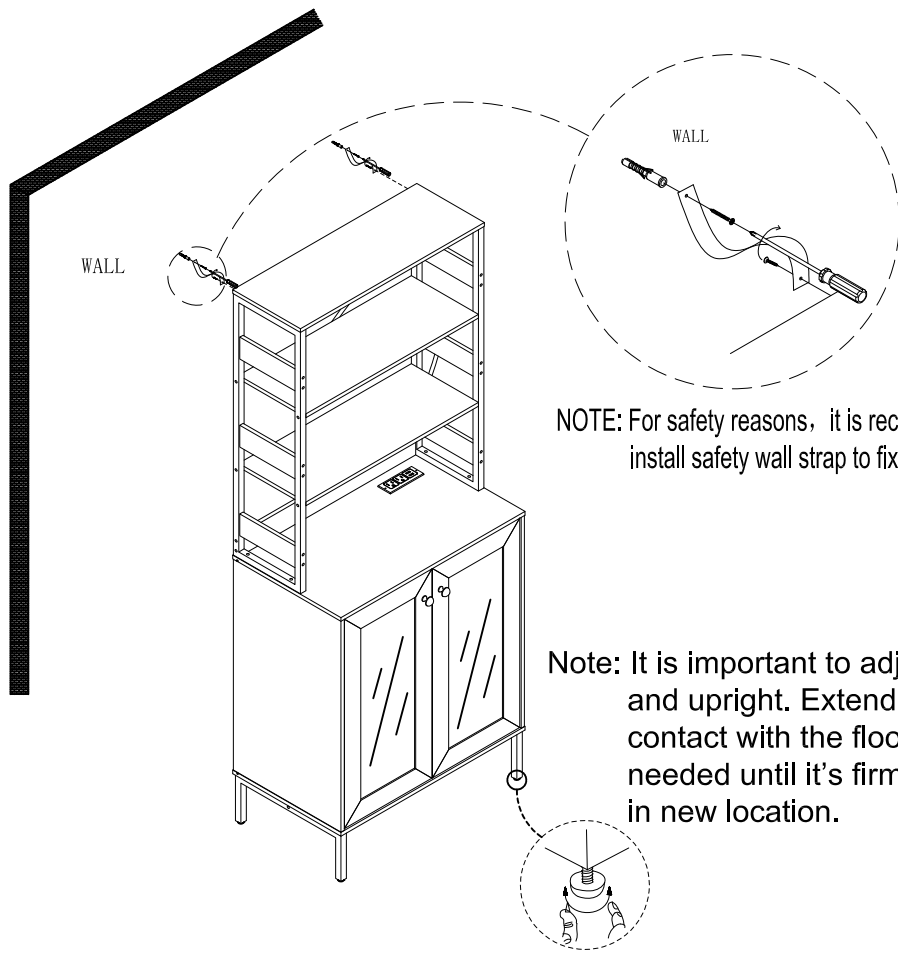


Remove the plastic piece before using the remote . Read the manual for the remote control .



	T x 2		P x 1
---	-------	---	-------

# STEP 19



## IMPORTANT SAFETY INFORMATION

Please carefully read the following instructions and caution warnings before assembling the product. Following this guide will ensure that you install, use and maintain the product properly.

- Please keep this installation and user manual/instructions for future reference in case you need to disassemble the product.
- Do not assemble if you notice serious damage such as cracks or bends.
- During installation, please use work gloves for hand safety.
- Please assemble the unit on carpeted floor or the flat cardboard box to avoid scratching the surface or your floor while assembling on the floor.
- To assemble, please use the complimentary installation tools (Phillips screwdriver). Pay more attention to the direction of components at each steps.
- It is recommended that two people work together to assemble the product.
- Please do not tighten the screws up too much, just to 80% before you finish to make the installation to be successful.

## RETURN POLICY

- We believe you will absolutely love your new product. But for some reason you want to return your item, please contact us within 30 days after receiving and ensure that the product which you want to return is in a good condition in the original box with all original certificates of purchase, manuals and accessories attached.

## HOW TO MAINTAIN YOUR PRODUCT:

- Check the screws of the product are not loose from regular use.
- Do not use sharp instruments, rubbing alcohol, corrosive chemicals, or abrasive cleaners to clean the product.
- Do not keep the product in a damp environment for a long period of time. The damp environment may cause the iron components to rust and the plates to bulge and crack.

# How to find us?

Customer Service

Email: [support@garvee.com](mailto:support@garvee.com)

**GARVEE**  
support@garvee.com