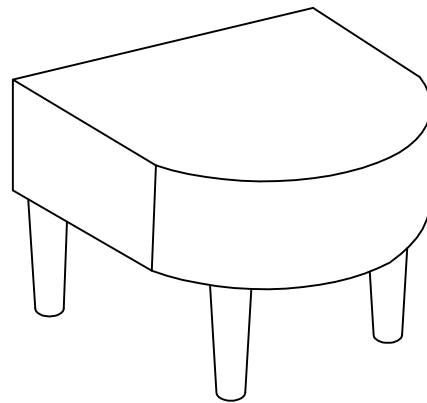
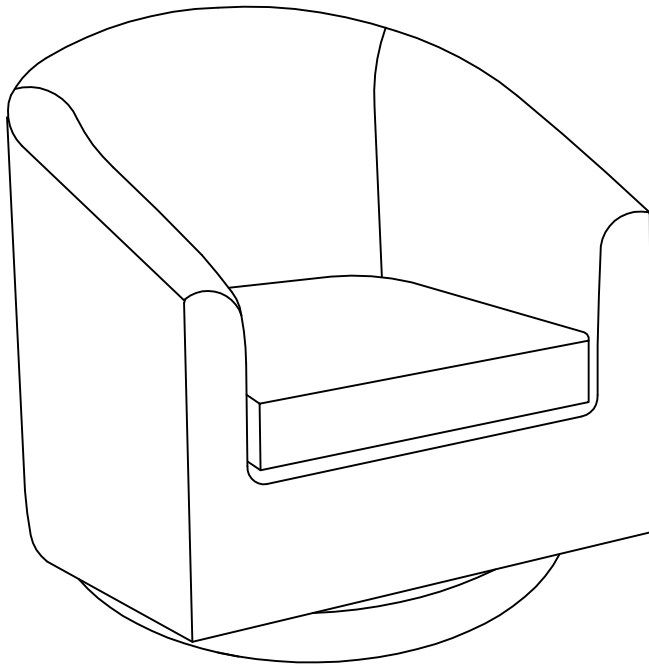
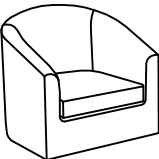
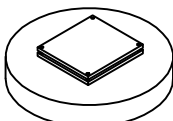
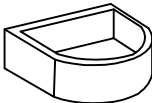








ASSEMBLY INSTRUCTION



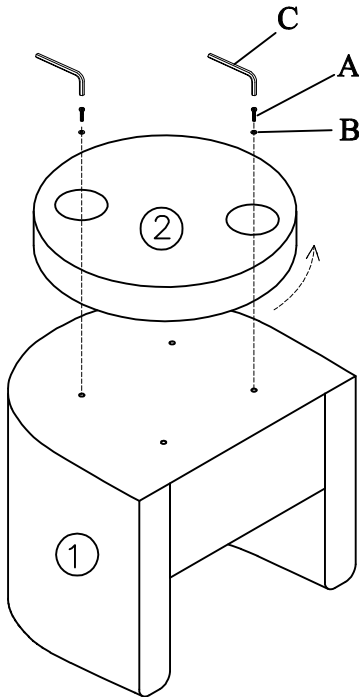
Parts List		
1  1X	2  1X	3  1X
4  1X	5  4X	6  4X

Hardware			
No.	Parts	Description	QTY
A		Bolt 1/4"*50mm	4
B		Flat Washer 1/4"*16mm	4
C		Allen Wrench	1

STEP 1

Assembling Swivel Base (2) to accent chair (1) as shown.

(Notes: Turning the base to find the holes to assemble the base)

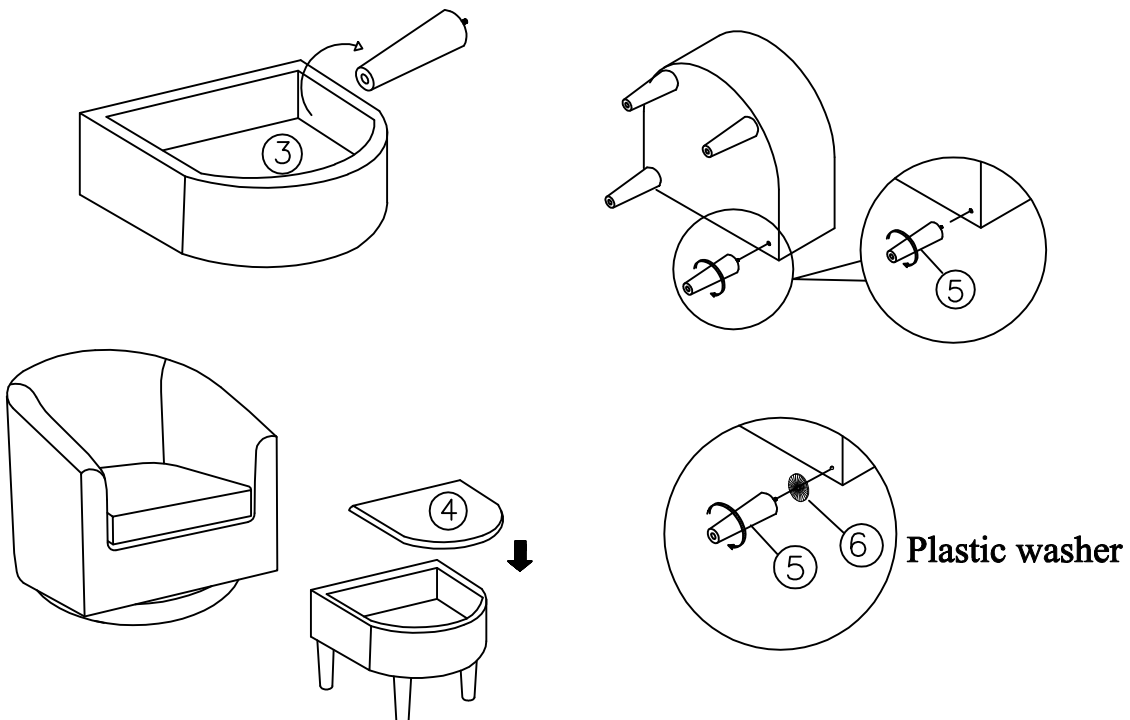


NOTE: Align the holes of the swivel base with the holes in the chair to screw in the first 2 bolts and washers, then turn the base to align with the other 2 holes and screw in the 2 remaining bolts and washers.

STEP 2

1. Take out Legs (5) to from storage of Ottoman (3) as shown.

2. Assembling Legs (5) to Ottoman (3) as shown. and Finish.



NOTE: If the chair is rocking, not balanced, please add the plastic washer till you feel it fine.