

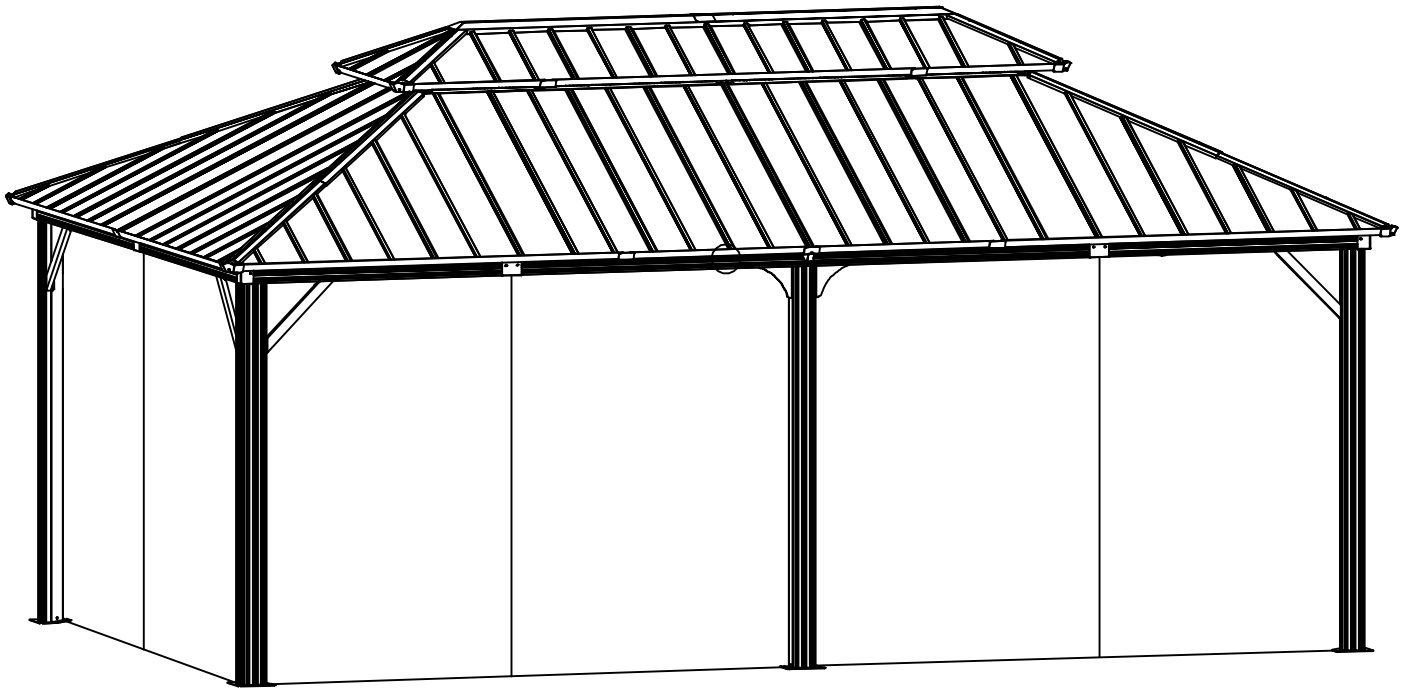
FTPLCG-0421 FTPLCG-0450

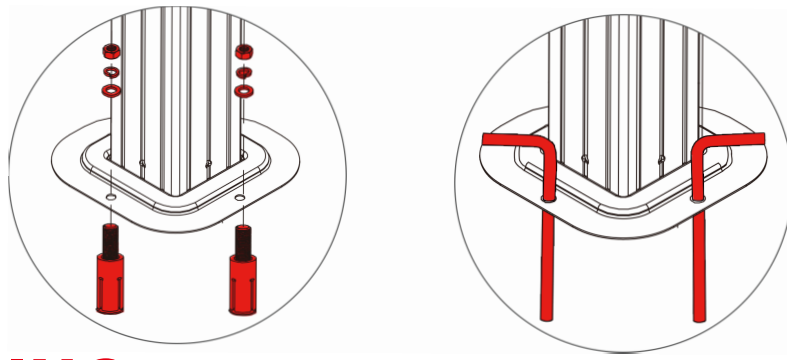
FTPLCG-0422 FTPLCG-0451

FTPLCG-0423 FTPLCG-0452

FTPLCG-0424 FTPLCG-0453

FTPLCG-0425 FTPLCG-0454





WARNING

"IMPORTANT, RETAIN FOR FUTURE REFERENCE: READ CAREFULLY"

1. Must use ground nails, ropes, and expansions screws for whichever ground you install on for stability to avoid devastating injuries for people inside or nearby and property damage caused by a collapsing gazebo.
2. Do not use this gazebo in high winds, heavy snow, or inclement weather. It is not designed to withstand strong gusts of wind, heavy snow accumulation, or other inclement weather. Must take precautions when the wind speed exceeds 25Mph, and clear snow when it accumulates more than 2 inches.
3. Before use, thoroughly inspect the gazebo to make sure all bolts, nuts, and buckles have been completely tightened and securely fastened.
4. Warranty does not cover damages, losses, or injuries resulting from improper installation, misuse, not using stability accessories mentioned above, non snow cleaning, failure to take precautionary measures, etc.



1. Two or more people are required for assembly.
2. A ladder and electric drill may be necessary.
3. Do not erect the structure in heavy winds or inclement weather.
4. Do not leave up this unit for extended periods of time, as it is not a permanent structure or designed to withstand sustained wind or rain. It is a temporary, portable shelter that shields you from sunlight and rain. The screens also block flying insects.
5. Do not use candles, matches, or any open flames near the tent.
6. To better align the screws for practical situations, do not fully tighten screws initially.
7. Professional installation is highly recommended.

Parts List (Box A)

A1



4 PCS

A2



2 PCS

B3



2 PCS

B4



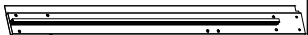
2 PCS

B10



2 PCS

B11



2 PCS

B12



2 PCS

B13



2 PCS

J2



1 PC

J3



1 PC

M7



2 PCS

M8



2 PCS

M13



2 PCS

M14







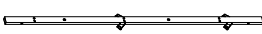

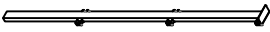







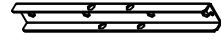
2 PCS

M15

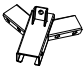
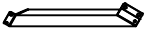
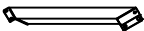




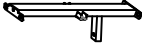















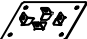


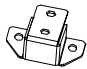


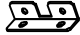


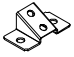
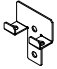


2 PCS

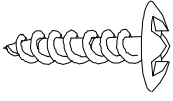

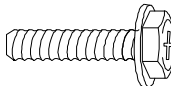
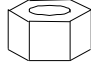
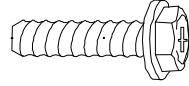
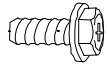

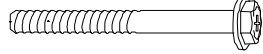

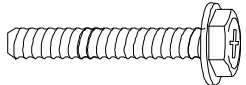

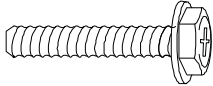
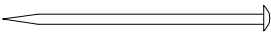


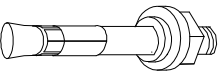
Parts List (Box B)

D1 	D6 	D7 	D8 	G1 
2 PCS	2 PCS	2 PCS	2 PCS	4 PCS
G2 	J1 	L14 	R2 	R4 
4 PCS	6 PCS	4 PCS	4 PCS	4 PCS
R5 	R10 	R11 	Y1 	Y14 
4 PCS	1 PC	1 PC	6 PCS	1 PC





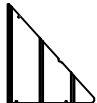


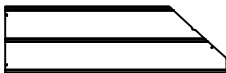
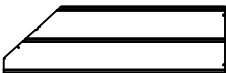



Parts List (Box C)

<p>(D)</p> 	<p>(H1)</p> 	<p>(H2)</p> 	<p>(H3)</p> 	<p>(H4)</p> 
<p>4 PCS</p>	<p>4 PCS</p>	<p>4 PCS</p>	<p>2 PCS</p>	<p>2 PCS</p>
<p>(K)</p> 	<p>(K6)</p> 	<p>(K7)</p> 	<p>(L1)</p> 	<p>(L5)</p> 
<p>4 PCS</p>	<p>2 PCS</p>	<p>2 PCS</p>	<p>2 PCS</p>	<p>4 PCS</p>
<p>(L6)</p> 	<p>(L10)</p> 	<p>(L11)</p> 	<p>(L13)</p> 	<p>(L15)</p> 
<p>4 PCS</p>	<p>4 PCS</p>	<p>4 PCS</p>	<p>4 PCS</p>	<p>8 PCS</p>
<p>(M1)</p> 	<p>(M12)</p> 	<p>(M16)</p> 	<p>(M17)</p> 	<p>(M18)</p> 
<p>2 PCS</p>	<p>2 PCS</p>	<p>2 PCS</p>	<p>2 PCS</p>	<p>2 PCS</p>
<p>(P)</p>  <p>hook up</p>	<p>(S)</p> 	<p>(TB)</p> 	<p>(TC)</p> 	<p>(Y2)</p> 
<p>2 PCS</p>	<p>56 PCS</p>	<p>4 PCS</p>	<p>2 PCS</p>	<p>6 PCS</p>
<p>(Y3)</p> 	<p>(Y4)</p> 	<p>(Y5)</p> 	<p>(Y6)</p> 	<p>(Y7)</p> 
<p>8 PCS</p>	<p>4 PCS</p>	<p>6 PCS</p>	<p>4 PCS</p>	<p>8 PCS</p>
<p>(Y10)</p> 	<p>(Y11)</p> 	<p>(Y12)</p> 	<p>(Y13)</p> 	
<p>2 PCS</p>	<p>1 PC</p>	<p>2 PCS</p>	<p>2 PCS</p>	


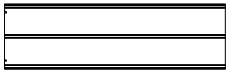


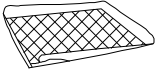

Hardware List(Box C)

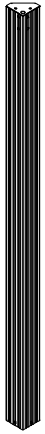
<p>AA</p>  <p>Cross big flat head self-tapping M4*16</p>	<p>BB</p>  <p>Flat washer M6</p>	<p>CC</p>  <p>Cross Outer Hexagon Bolt M6*35</p>	<p>DD</p>  <p>Hexagon nut M6</p>	<p>FF</p>  <p>Cross Outer Hexagon Bolt M6*20</p>
<p>20 PCS</p>	<p>4 PCS</p>	<p>8 PCS</p>	<p>4 PCS</p>	<p>352 PCS</p>
<p>GG</p>  <p>Cross Outer Hexagon Bolt M6*15</p>	<p>HH</p>  <p>Mosquito net ring</p>	<p>JJ</p>  <p>Cross Outer Hexagon Bolt M6*55</p>	<p>KK</p>  <p>M6*35</p>	<p>LL</p>  <p>Cross Outer Hexagon Bolt M6*45</p>
<p>236 PCS</p>	<p>152 PCS</p>	<p>4 PCS</p>	<p>20 PCS</p>	<p>4 PCS</p>
<p>NN</p>  <p>M6</p>	<p>QQ</p>  <p>Cross Outer Hexagon Bolt M6*40</p>	<p>PP</p>  <p>Round head nail Φ8*180</p>	<p>Z1</p>  <p>Open wrench M6</p>	<p>Z2</p>  <p>M6</p>
<p>4 PCS</p>	<p>20 PCS</p>	<p>16 PCS</p>	<p>2 PCS</p>	<p>2 PCS</p>
<p>UU</p>  <p>Expansion Bolt M6*80</p>				
<p>16 PCS</p>				

Parts List (Box D)

P1 	P2 	P7 	Q8 	Q9 
4 PCS	4 PCS	12 PCS	4 PCS	4 PCS
Q10 	Q11 	Q12 	Q13 	X1 
4 PCS	4 PCS	4 PCS	4 PCS	2 PCS
X5 	X6 			
2 PCS	2 PCS			

Parts List (Box E)

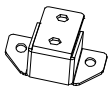
Q14 	Q17 	X7 	X8 	U5  Mosquito Net
8 PCS	12 PCS	2 PCS	2 PCS	1 PC
V5  Surrounding Cloth				
1 PC				



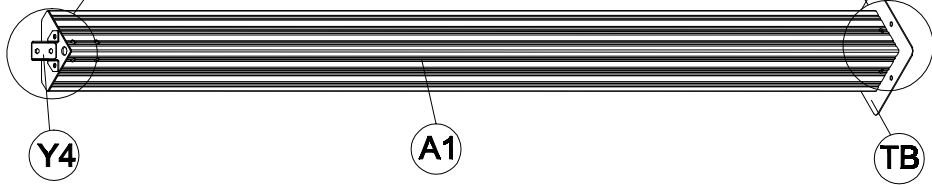
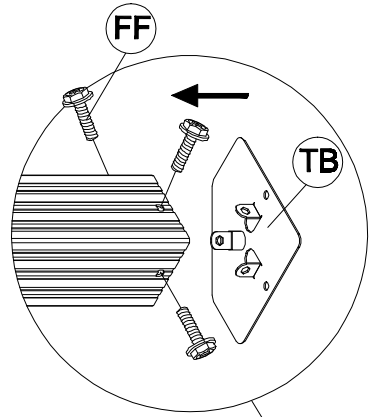
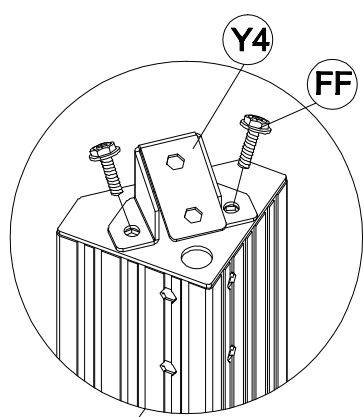
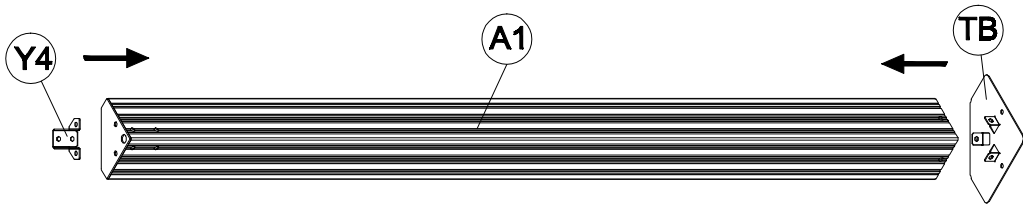
A1 4x



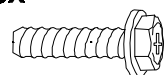
TB 4x



Y4 4x

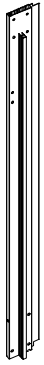


FF 20x

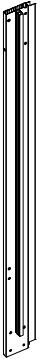


M6x20

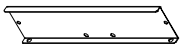
1



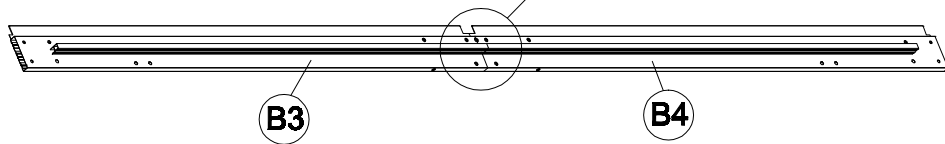
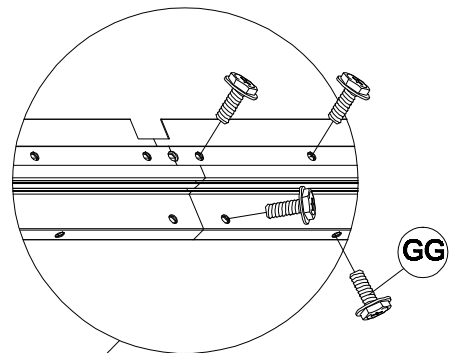
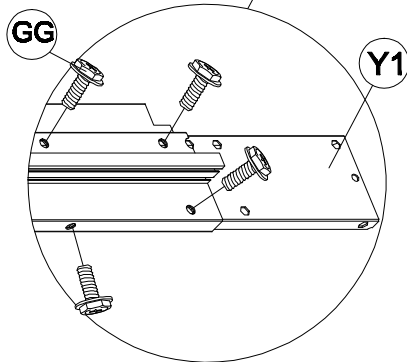
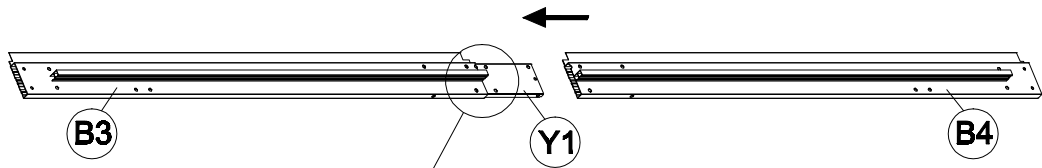
B3 2x



B4 2x



Y1 2x



GG 16x



M6x15

2



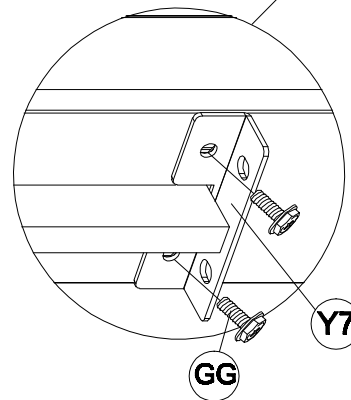
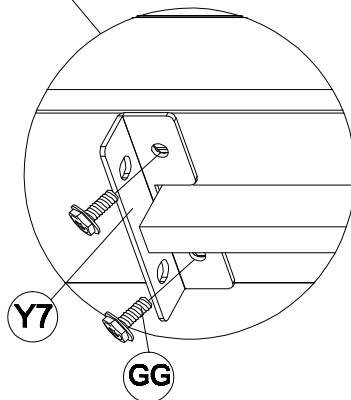
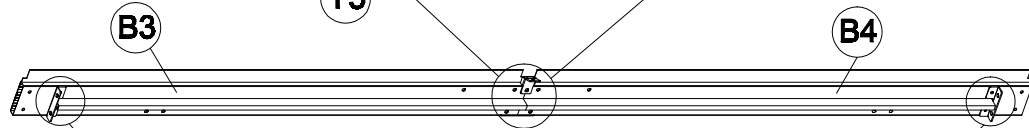
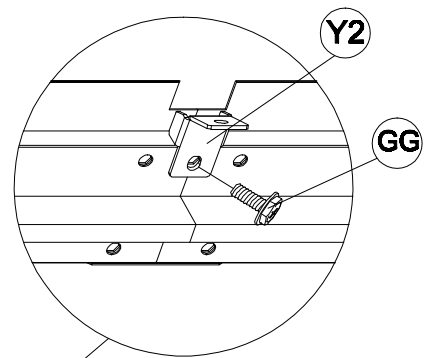
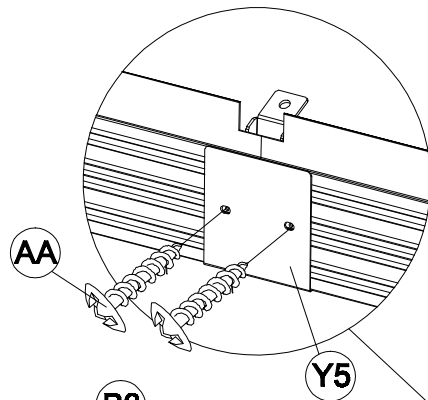
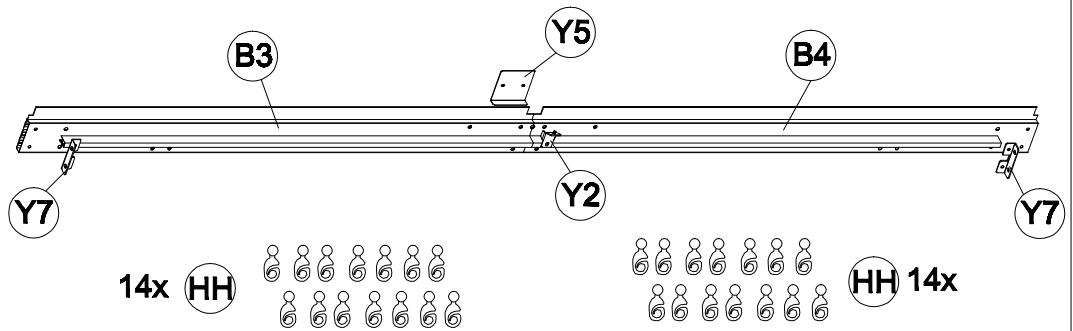
Y2 2x



Y5 2x



Y7 4x



HH 56x



AA 4x



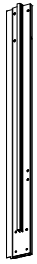
M4x16

GG 10x



M6x15

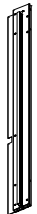
3



B10 2x



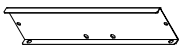
B11 2x



B12 2x



B13 2x

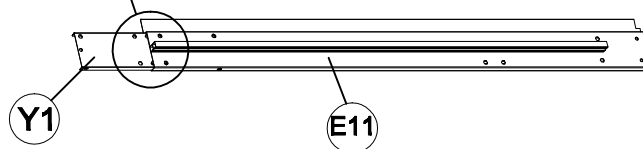
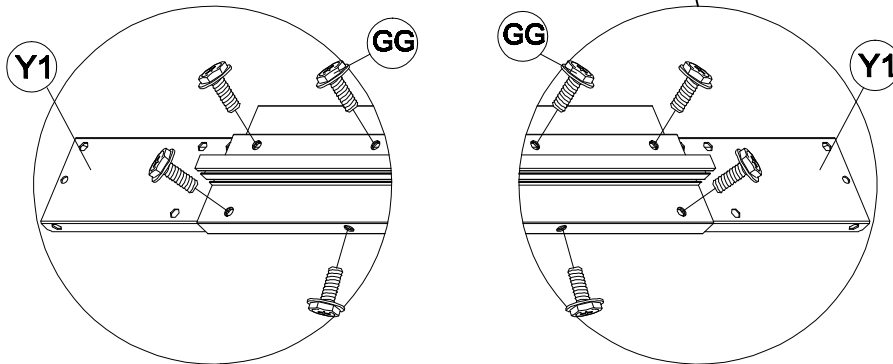
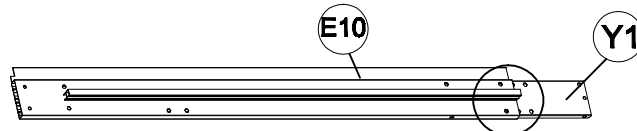
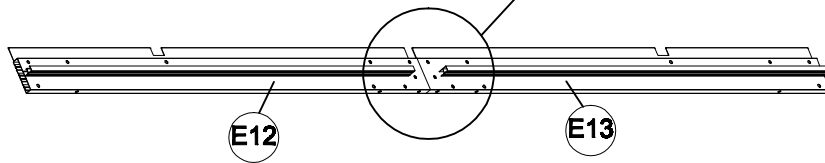
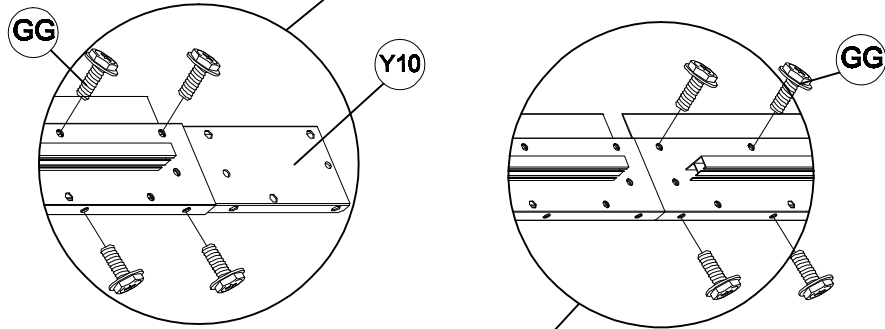
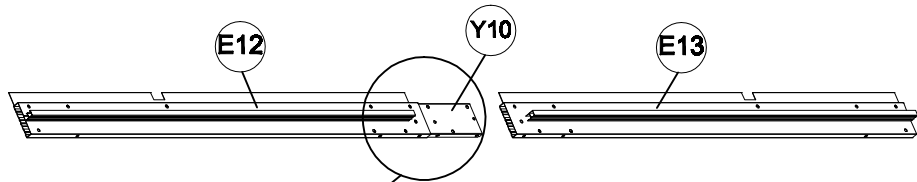


Y1 4x



Y10 2x

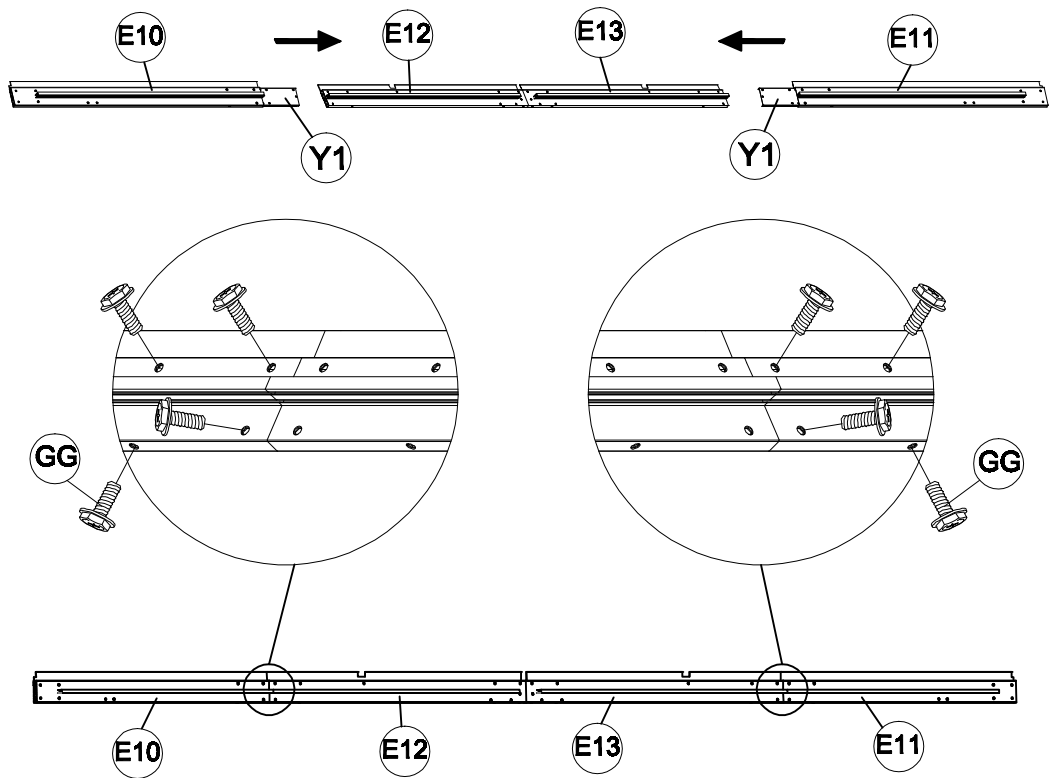
4



GG 32x



M6x15



GG 16x



M6x15



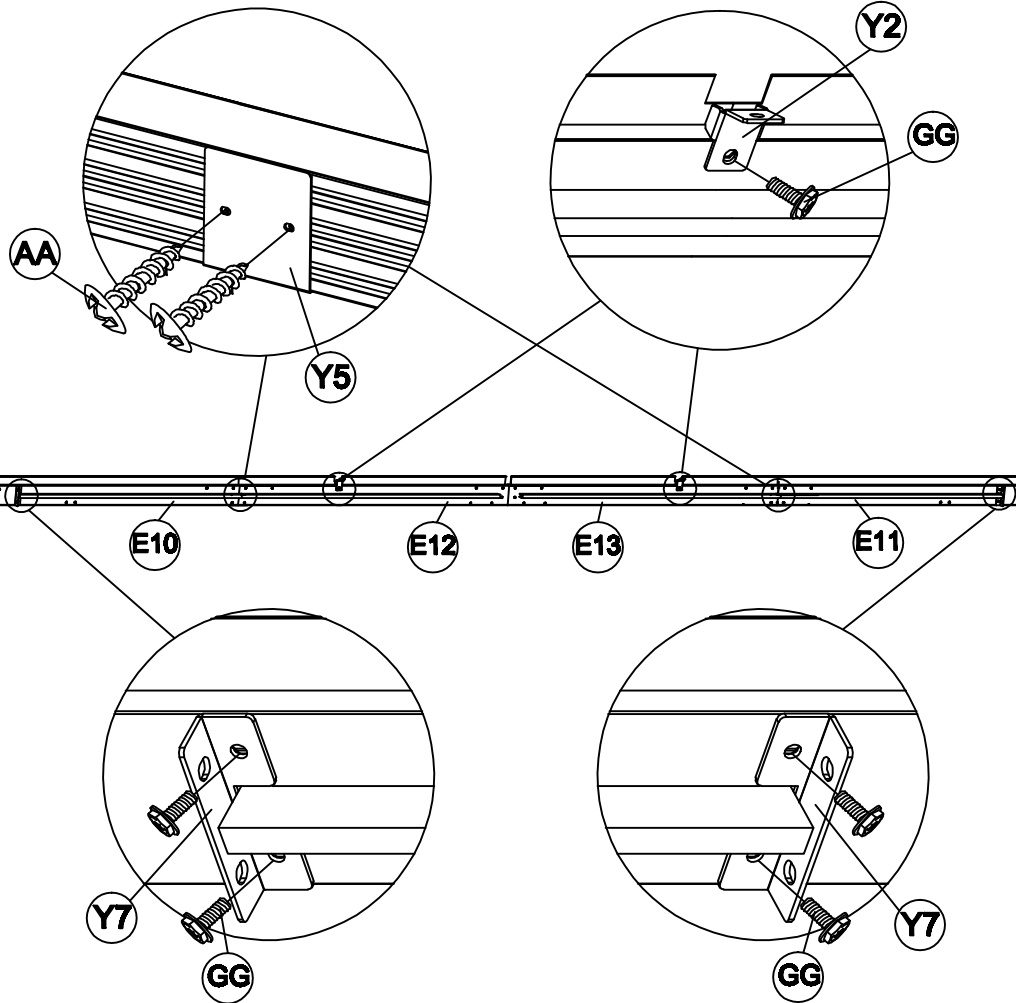
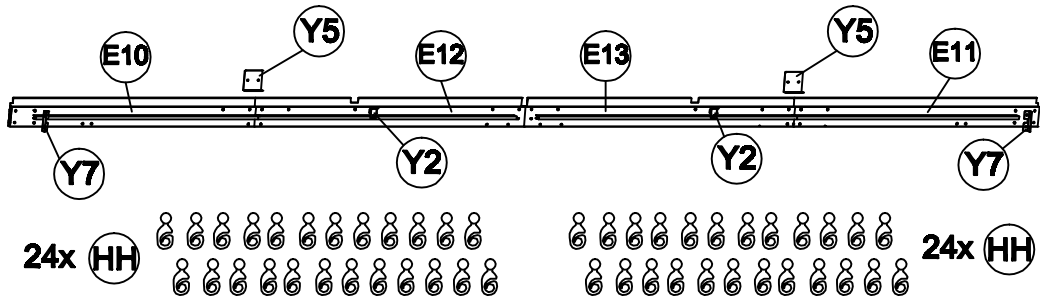
Y2 4x



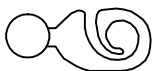
Y5 4x



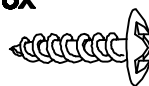
Y7 4x



HH 96x



AA 8x



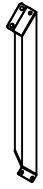
M4x16

GG 12x



M6x15

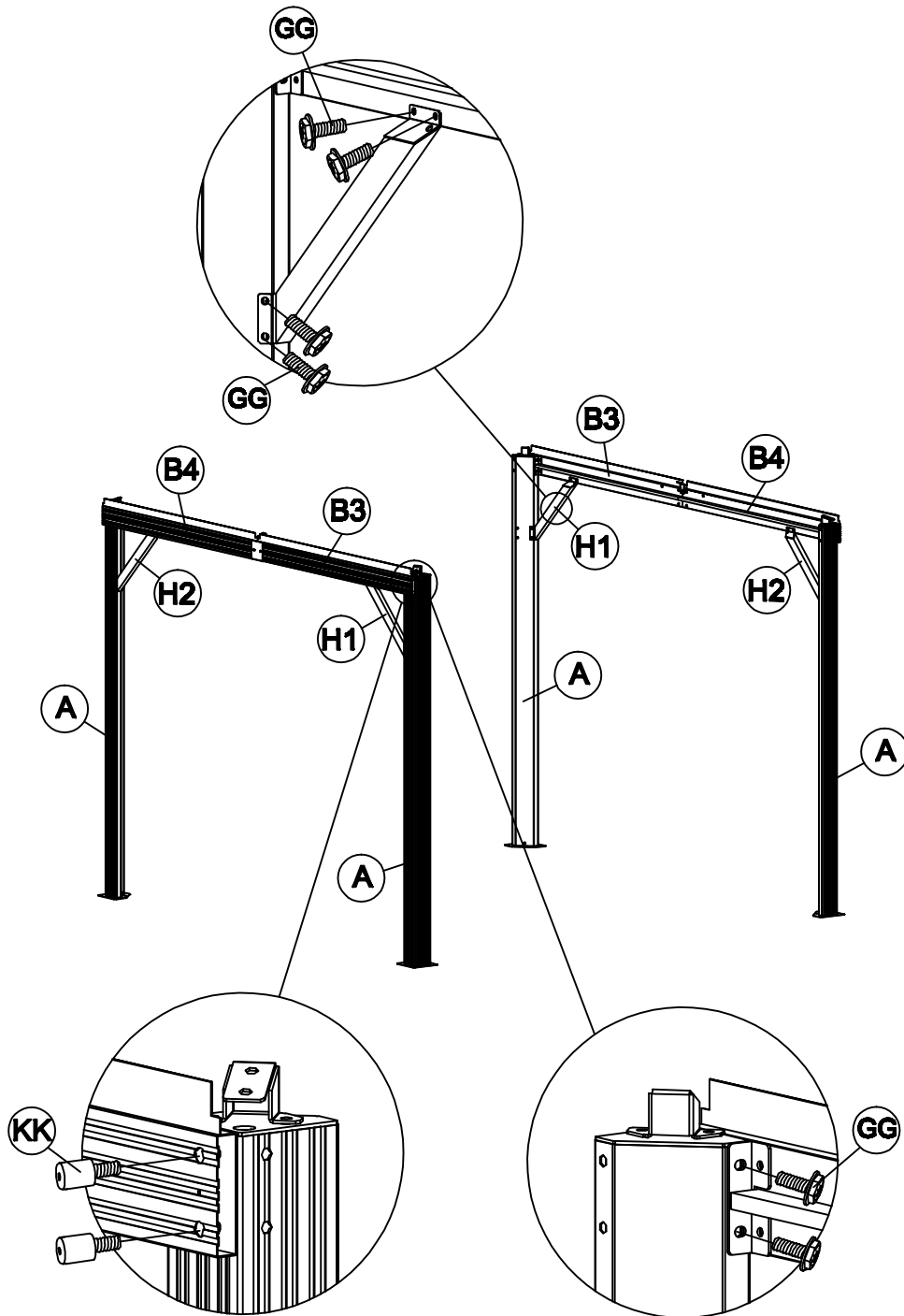
6



H1 2x



H2 2x



7

KK 8x



M6x35

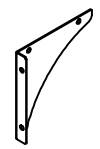
GG 24x



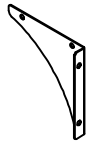
M6x15



A2 2x



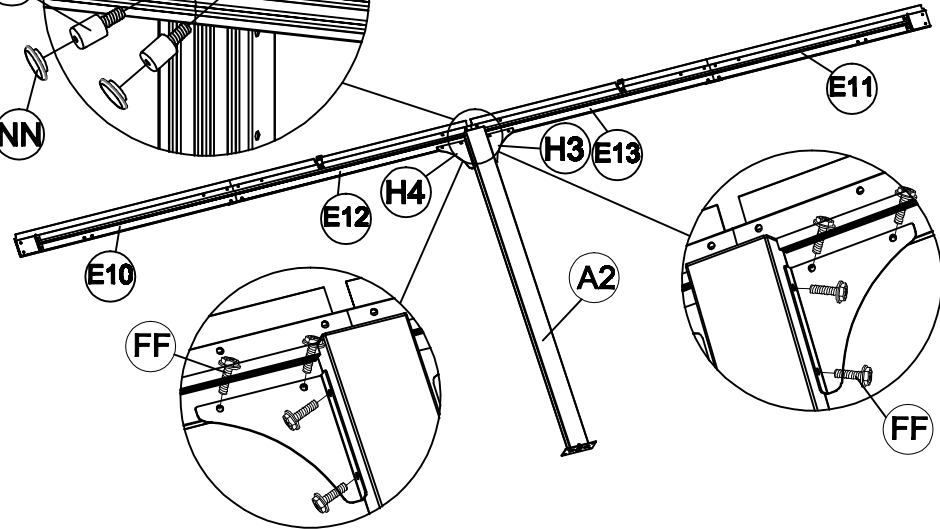
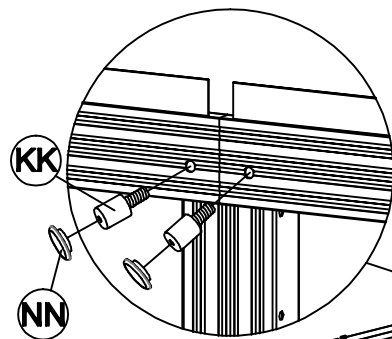
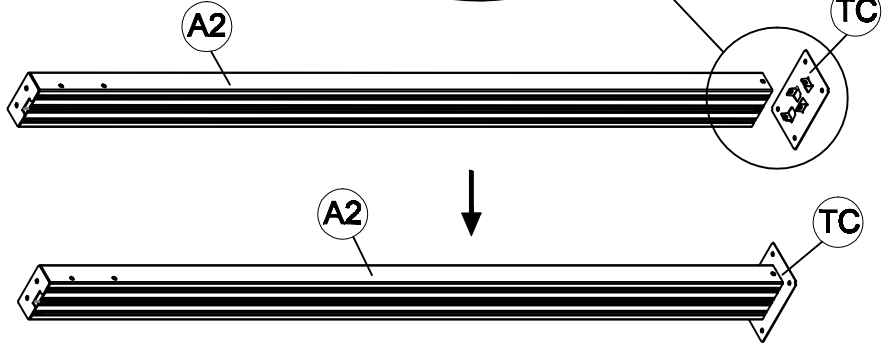
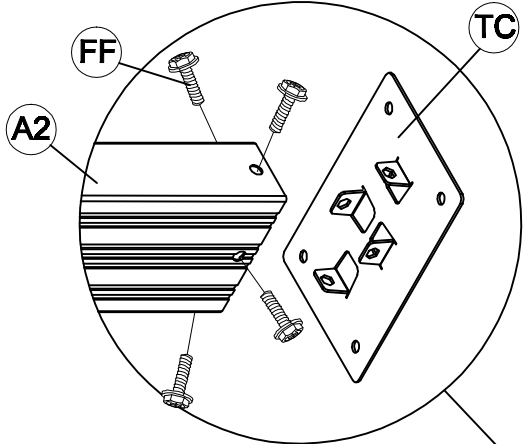
H3 2x



H4 2x



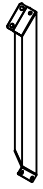
TC 2x



NN 4x
M6

KK 4x
M6x35

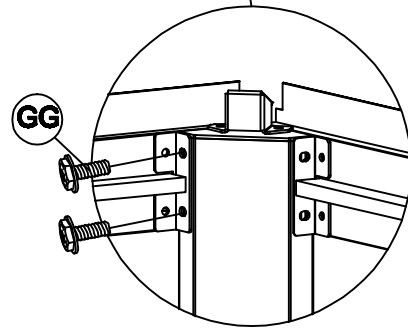
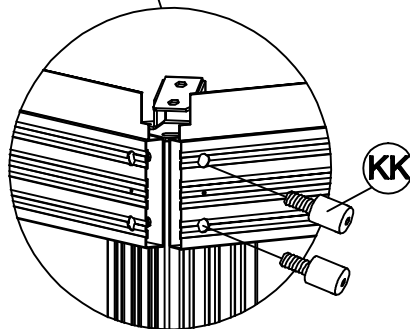
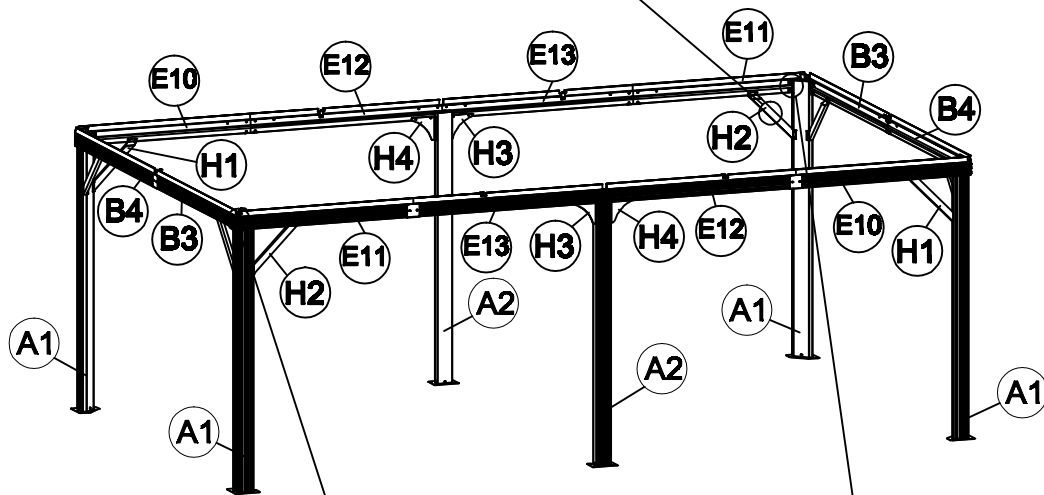
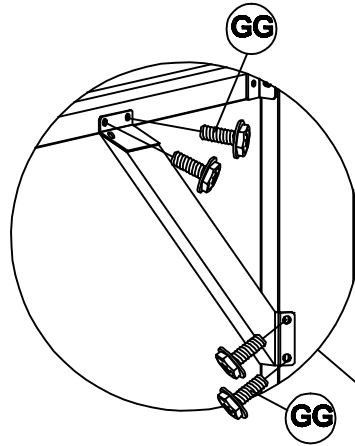
FF 24x
M6x20



H1 2x



H2 2x



9

KK 8x

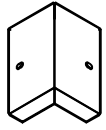


M6x35

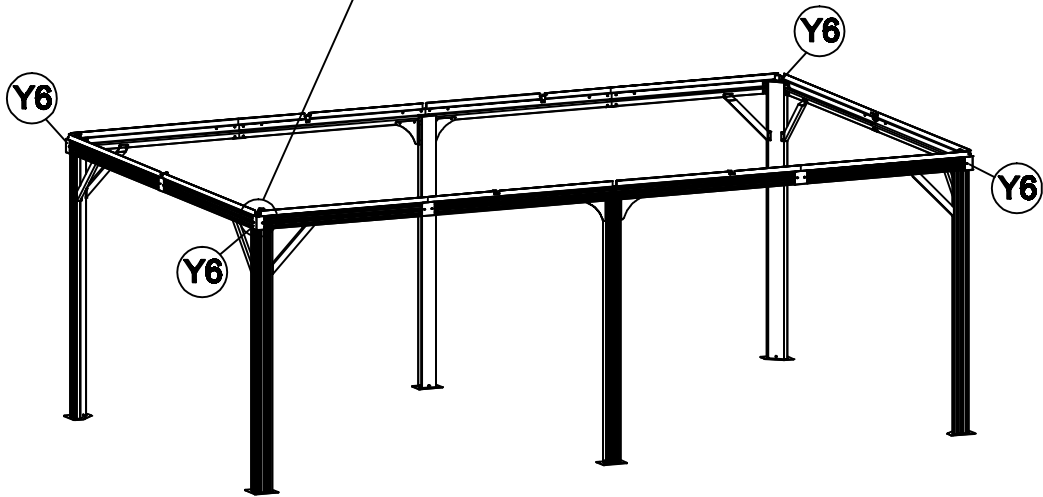
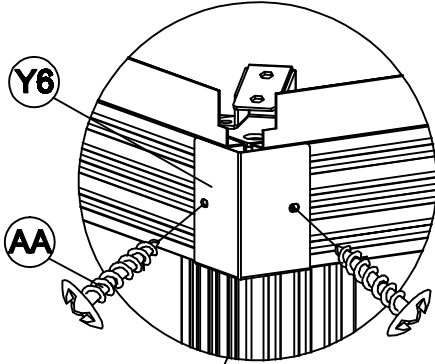
GG 24x



M6x15



Y6 4x



10

AA 8x



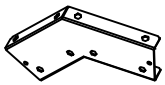
M4x16



J2 1x



J3 1x

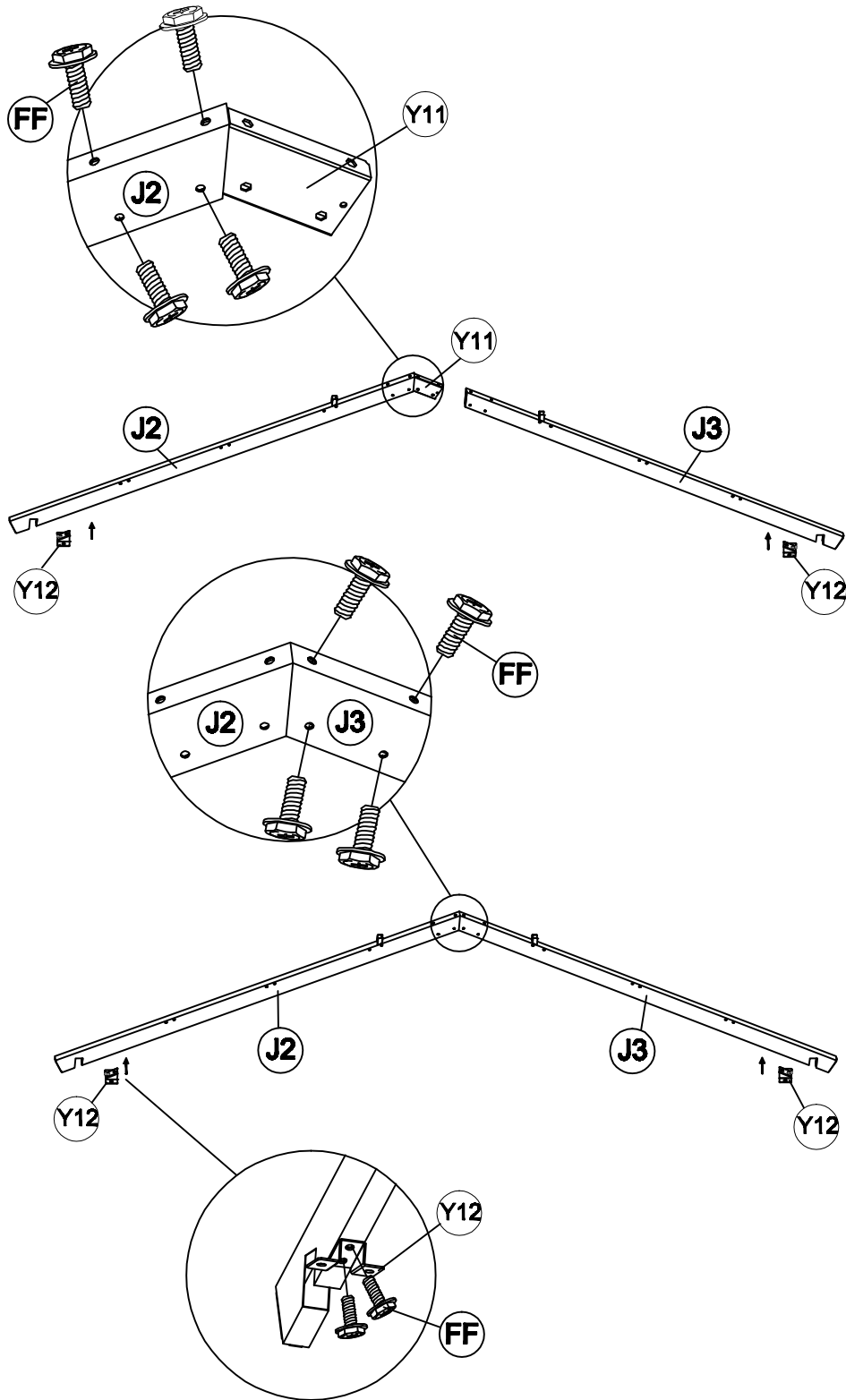


Y11 1x

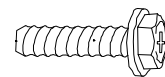


Y12 2x

11



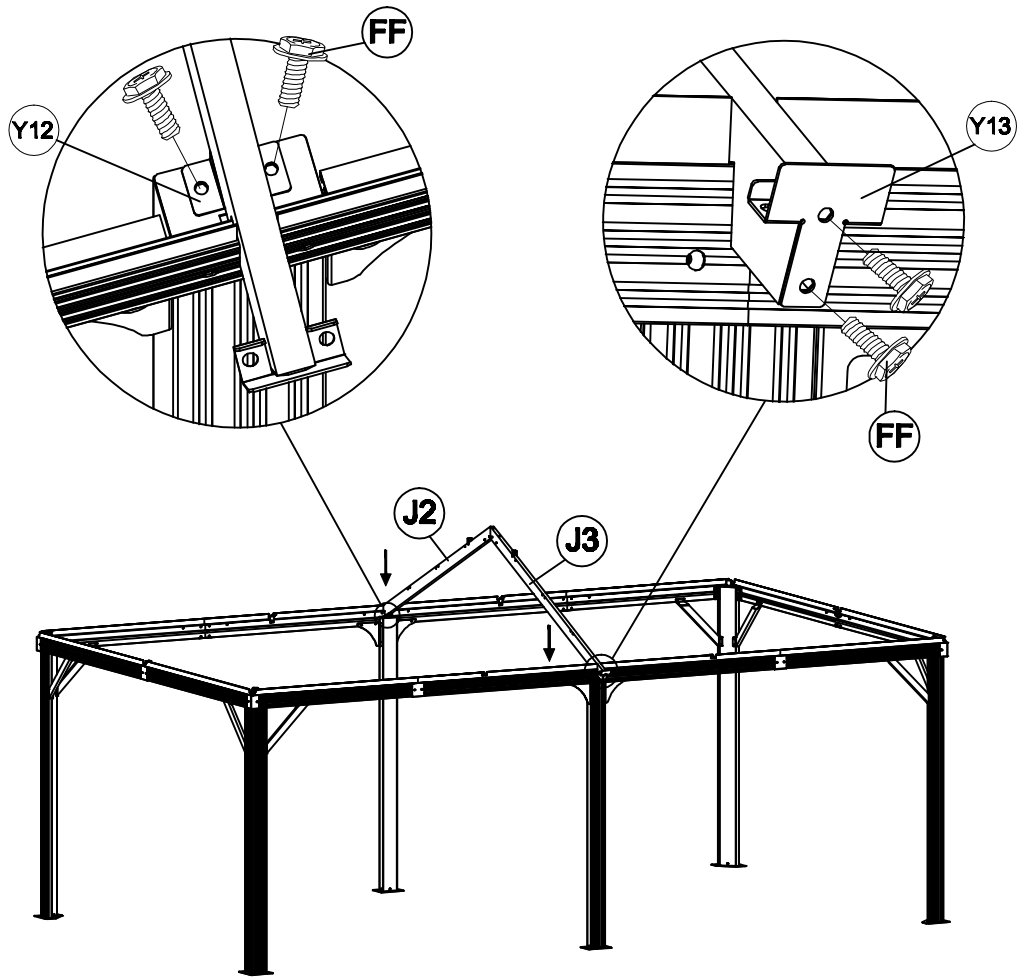
FF 12x



M6x20

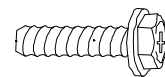


Y13 2x



12

FF 8x



M6x20



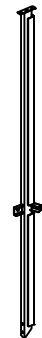
D 4x



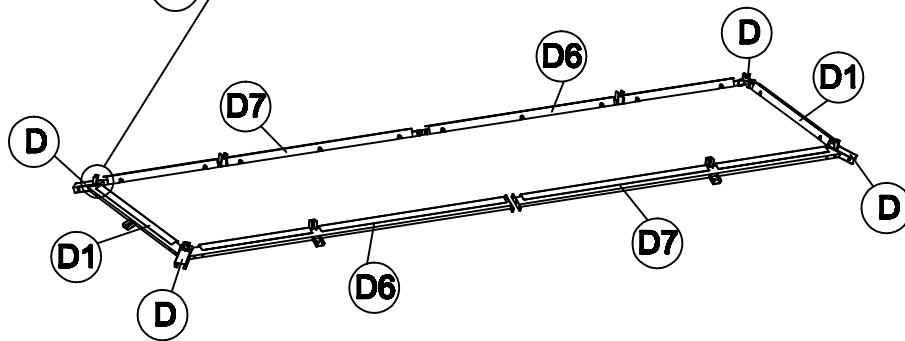
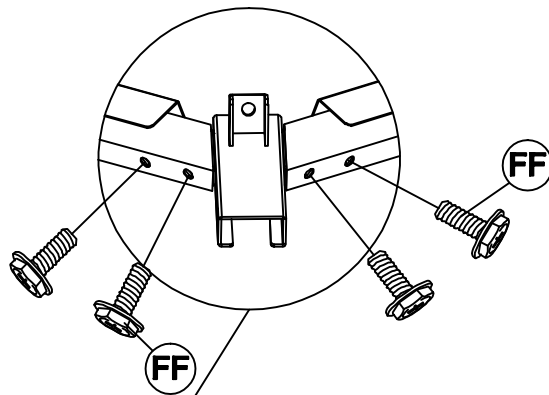
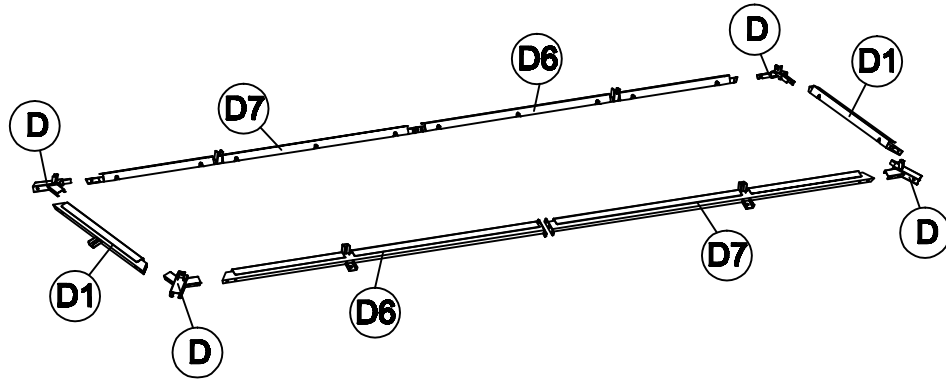
D1 2x



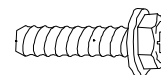
D6 2x



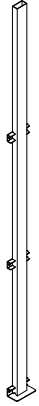
D7 2x



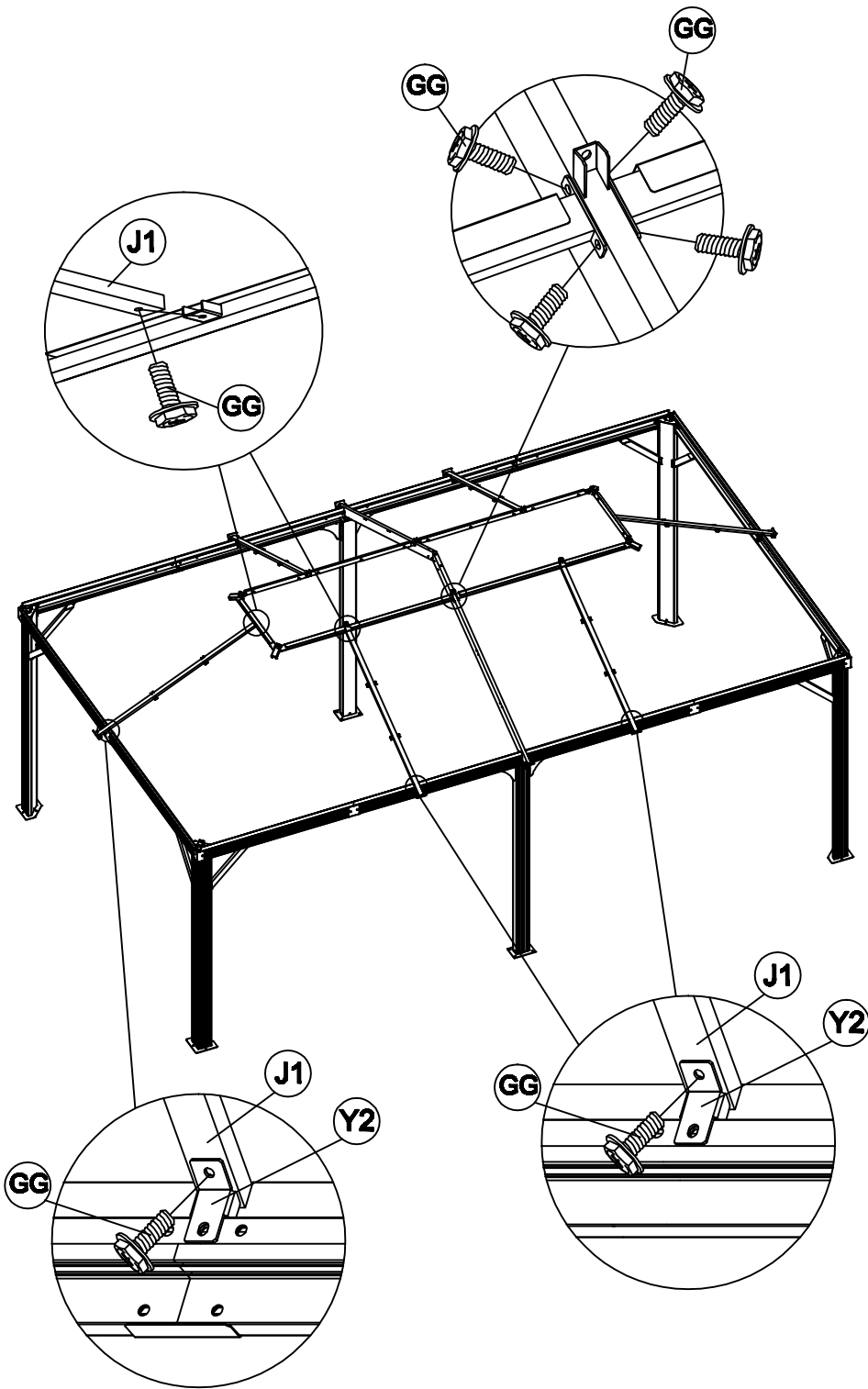
FF 16x



M6x20



J1 6x



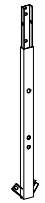
GG 20x



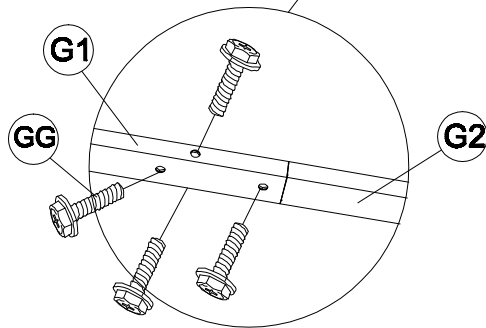
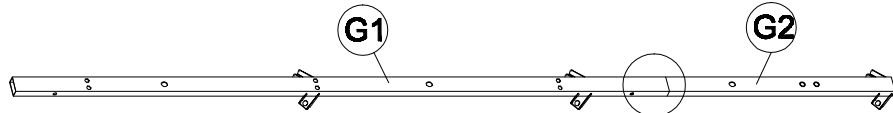
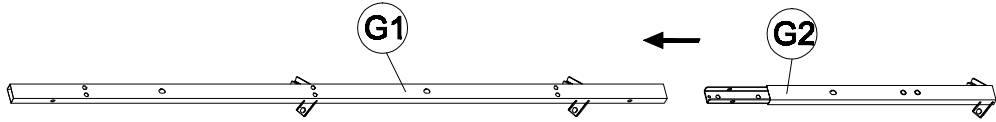
M6x15



G1 4x



G2 4x

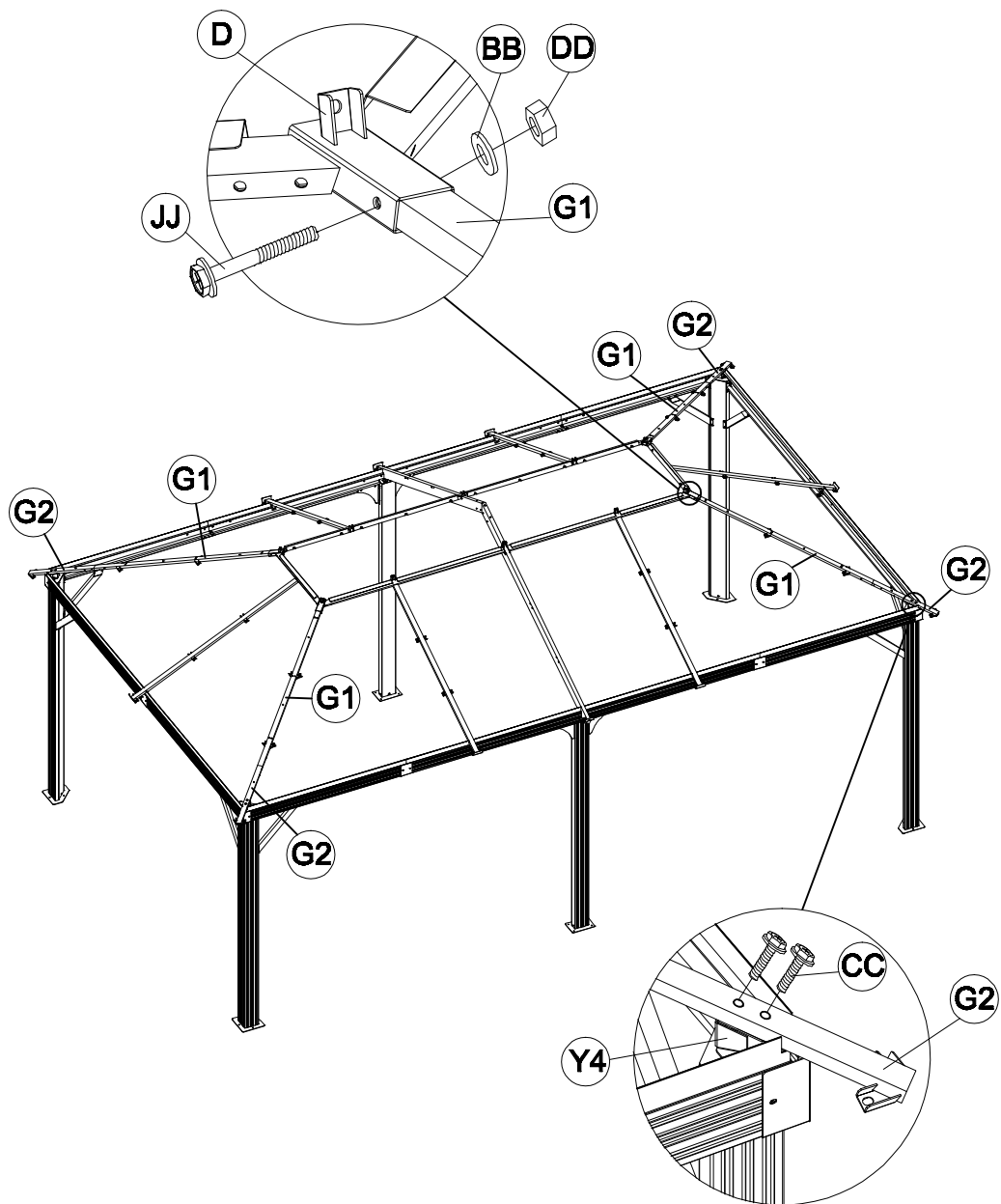


GG 16x





M6x15

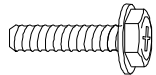
15

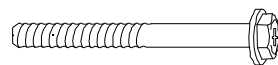


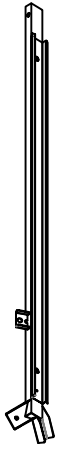
16

DD 4x

 M6

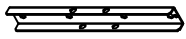
BB 4x

 M6

CC 8x

 M6x35

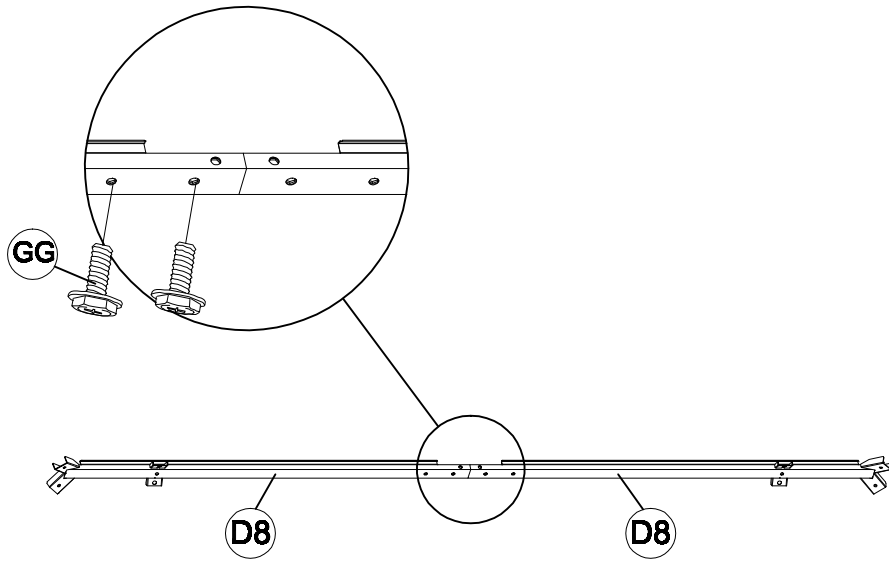
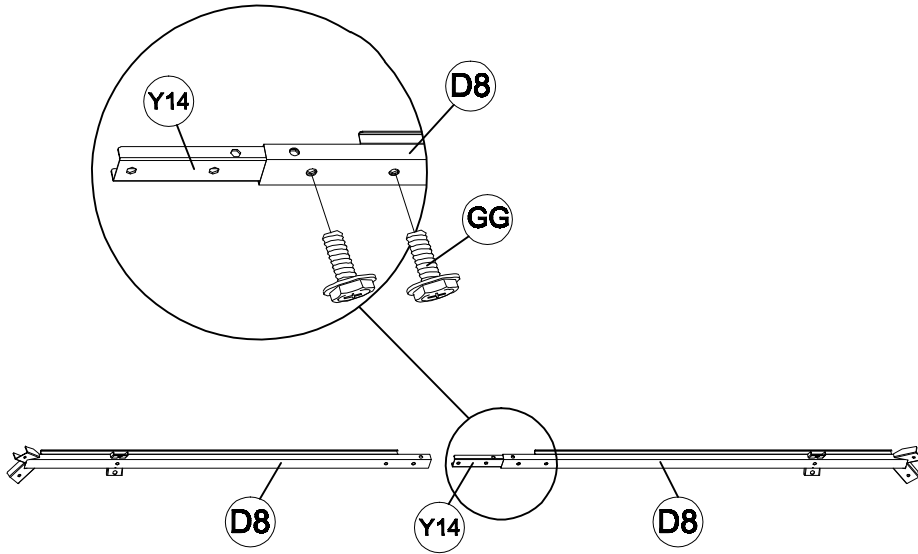
JJ 4x

 M6x55



D8 2x



Y14 1x



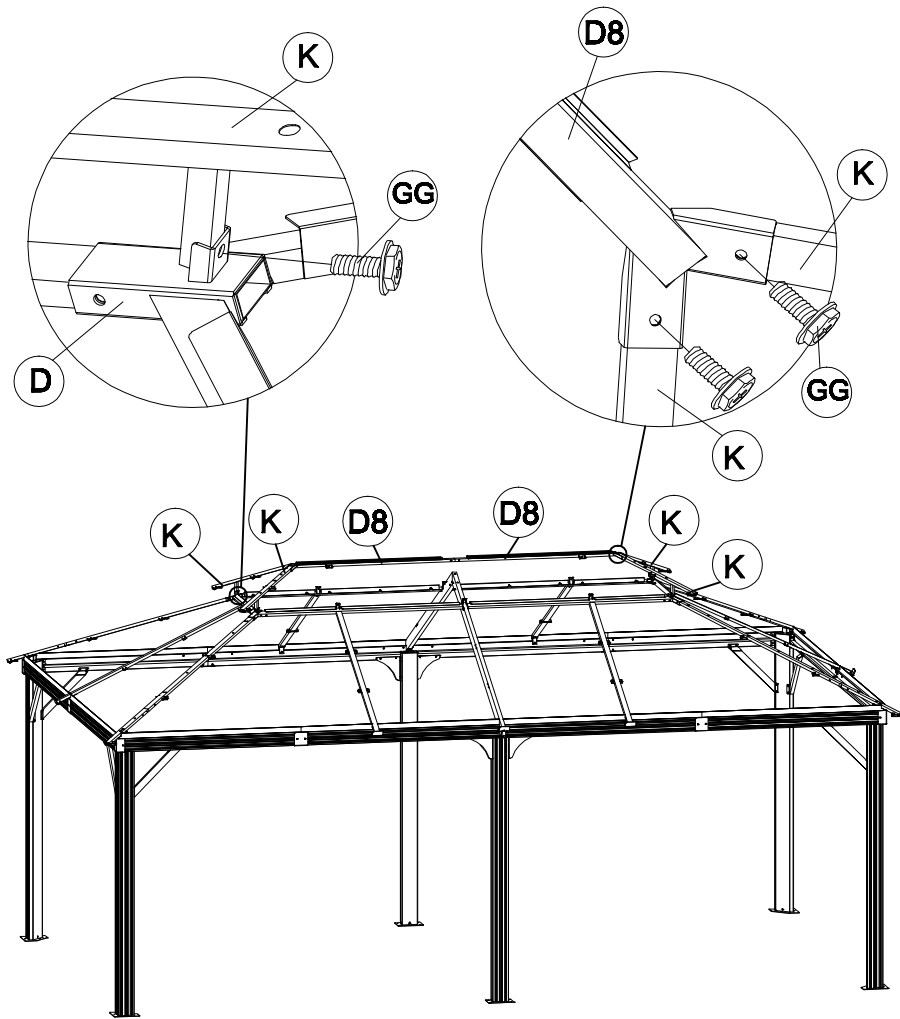
GG 4x



M6x15



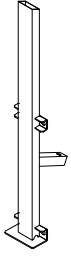
K 4x



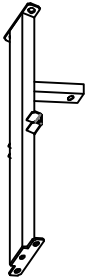
GG 8x



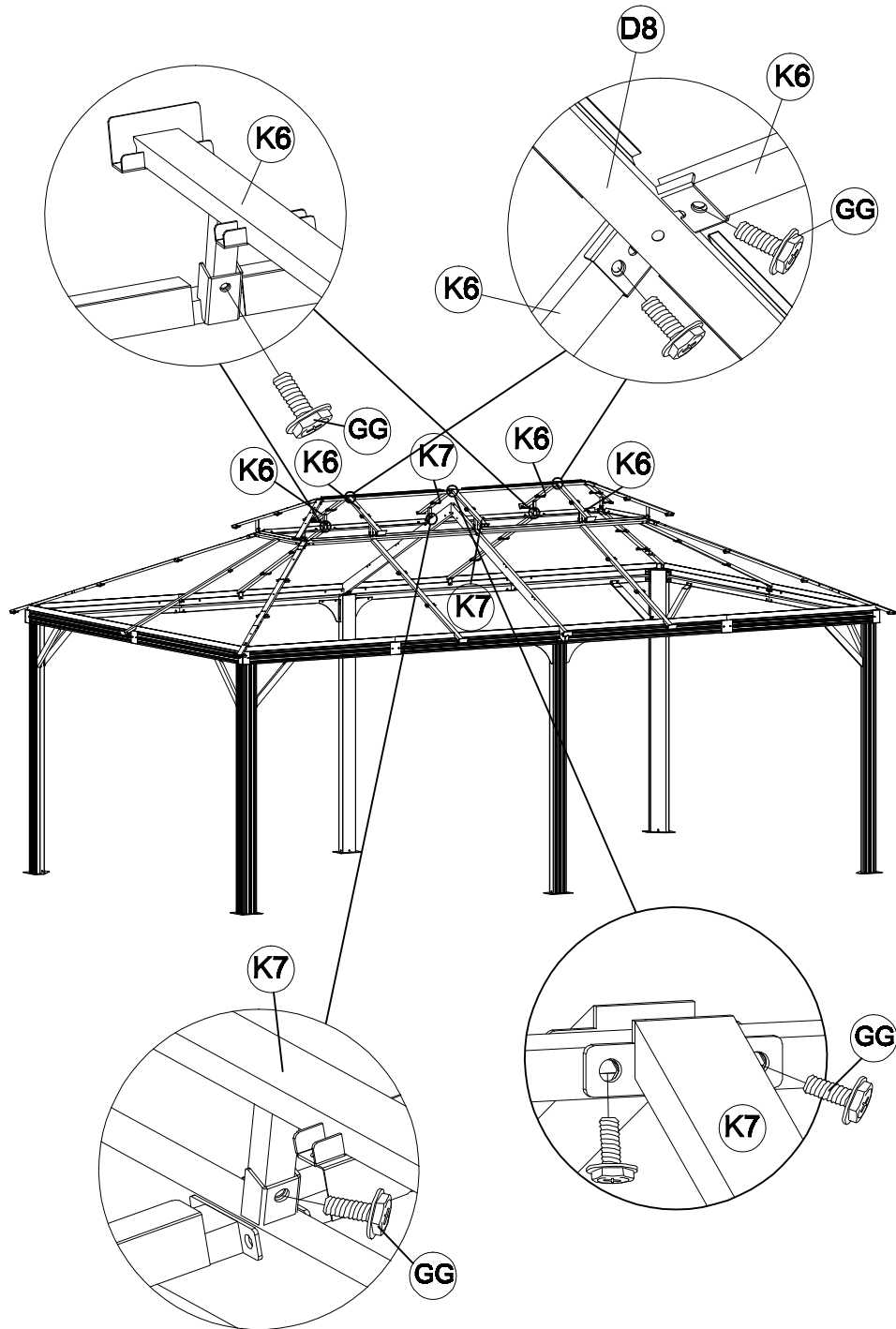
M6x15



K6 4x



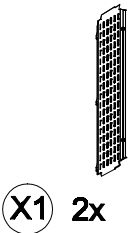
K7 2x



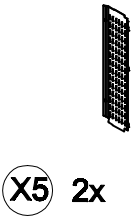
GG 14x



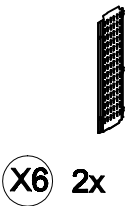
M6x15



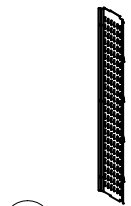
X1 2x



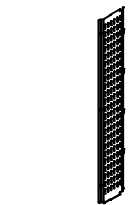
X5 2x



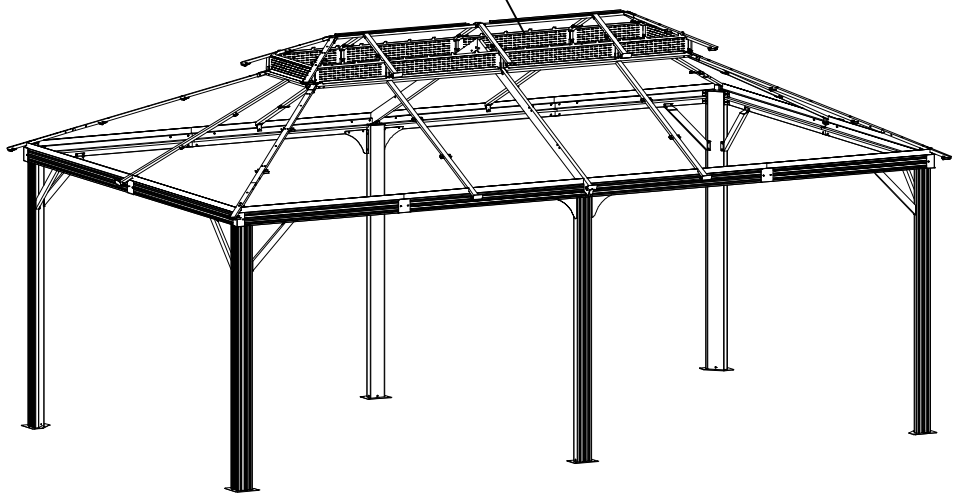
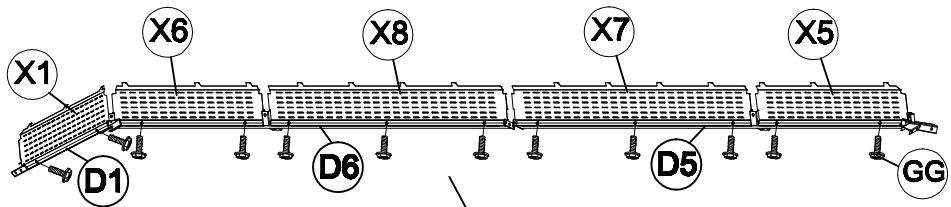
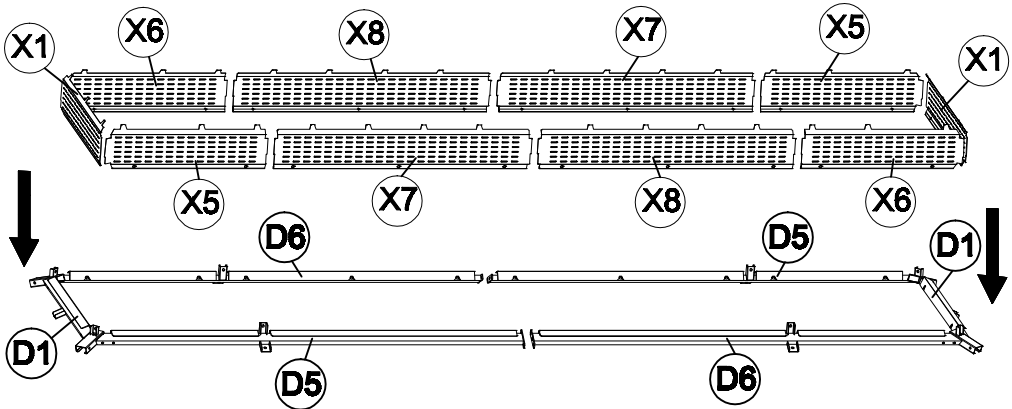
X6 2x



X7 2x



X8 2x



20

GG 24x



M6x15



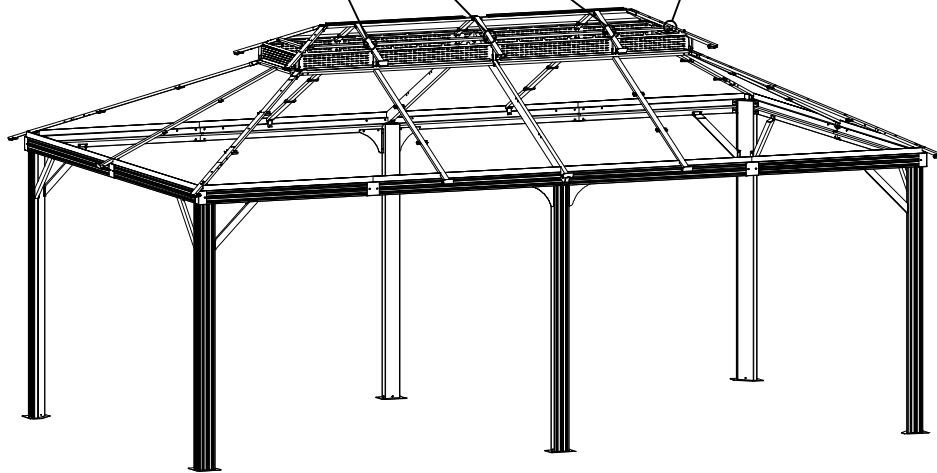
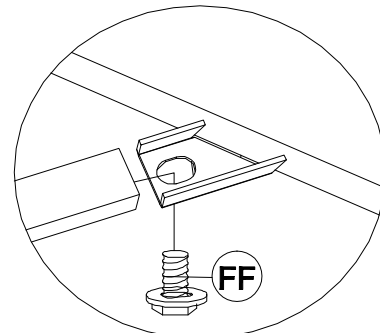
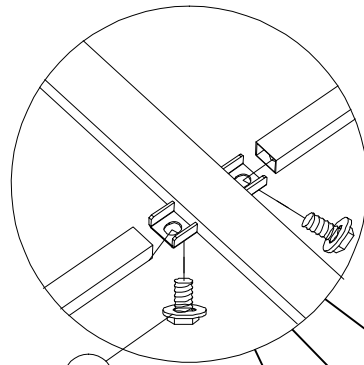
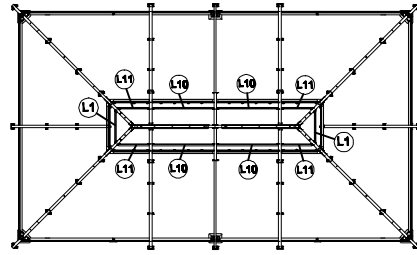
L1 2x



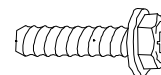
L10 4x



L11 4x



FF 20x



M6x20



M1 2x



M18 2x

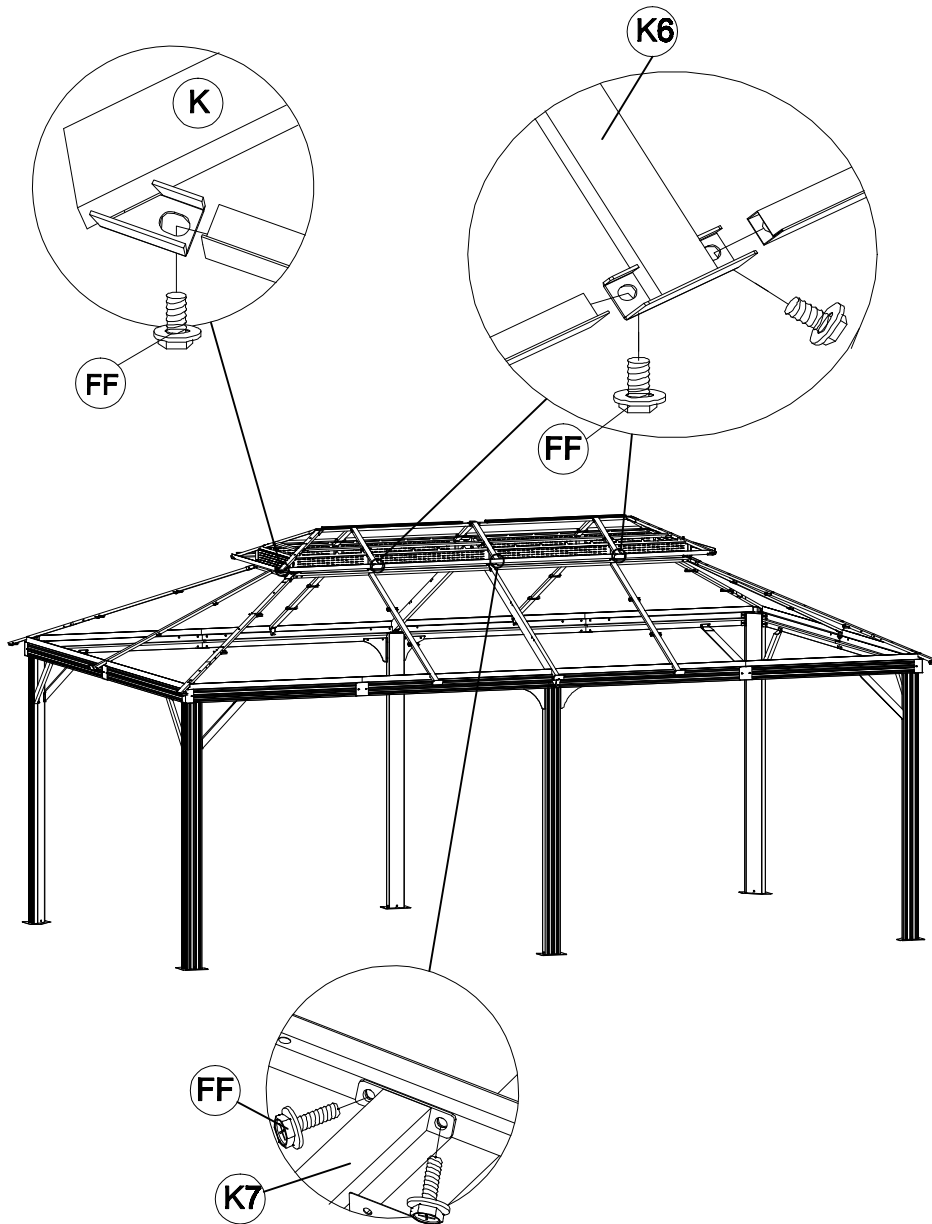
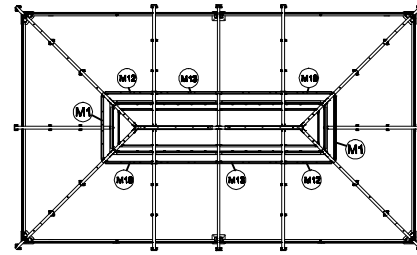


M12 2x

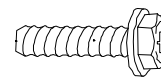


M13 2x

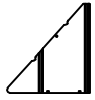
22



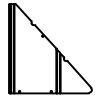
FF 20x



M6x20



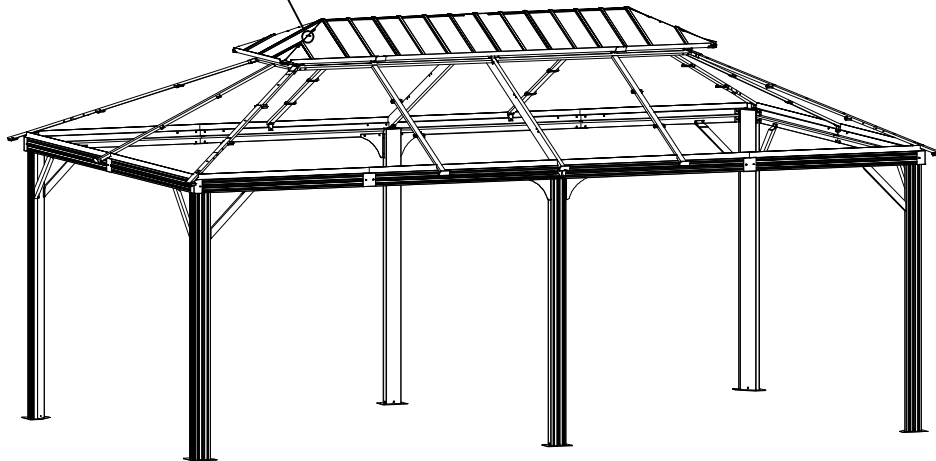
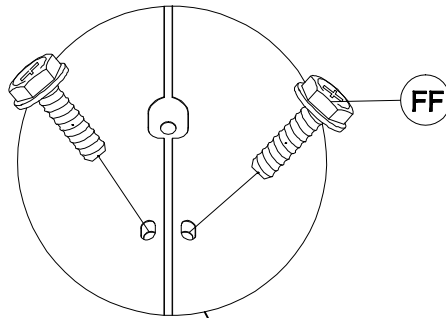
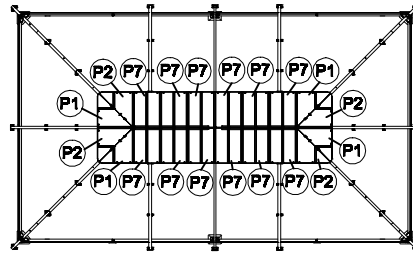
P1 4x



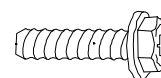
P2 4x



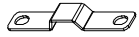
P7 12x



FF 8x



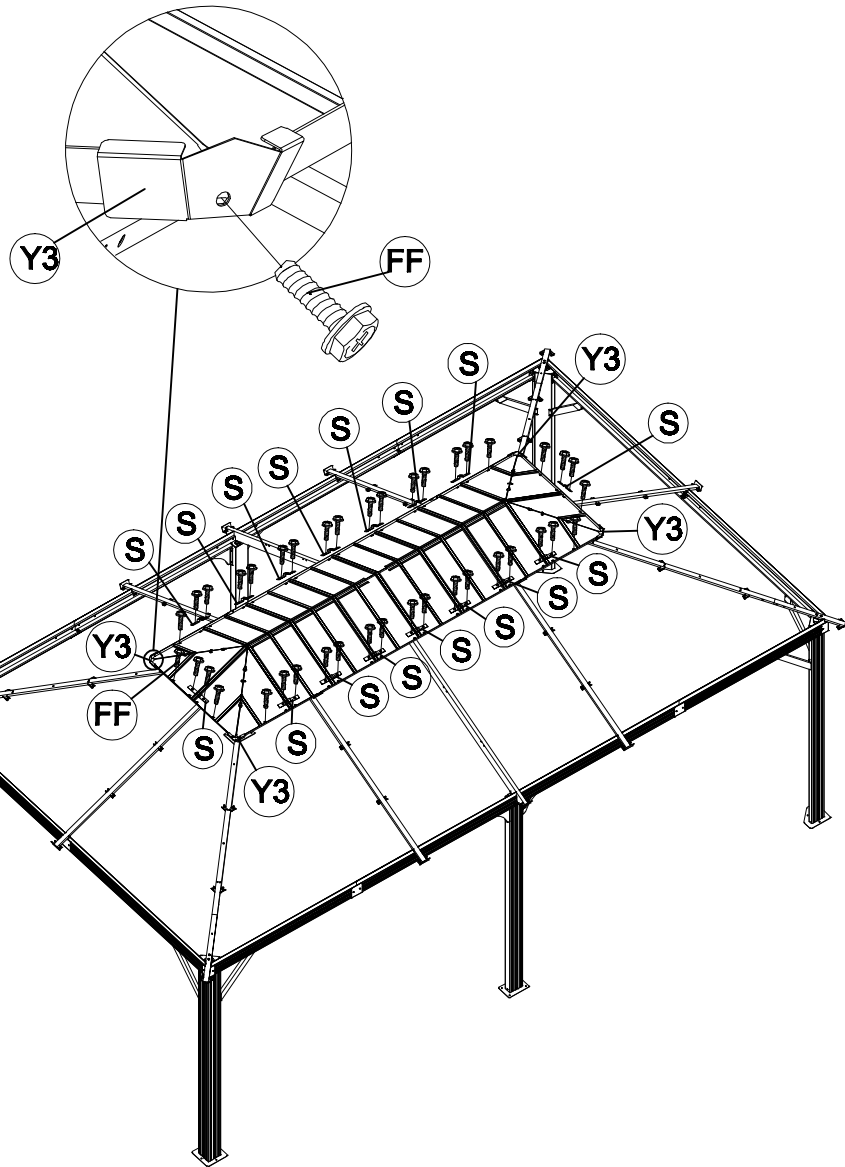
M6x20



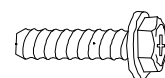
S 16x



Y3 4x



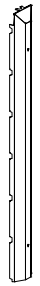
FF 44x



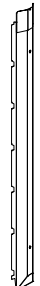
M6x20



R2 4x



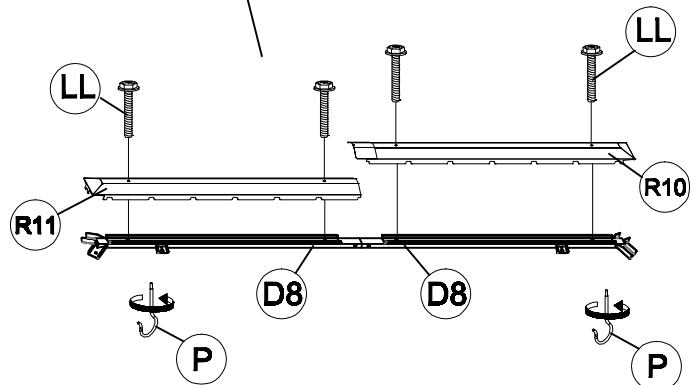
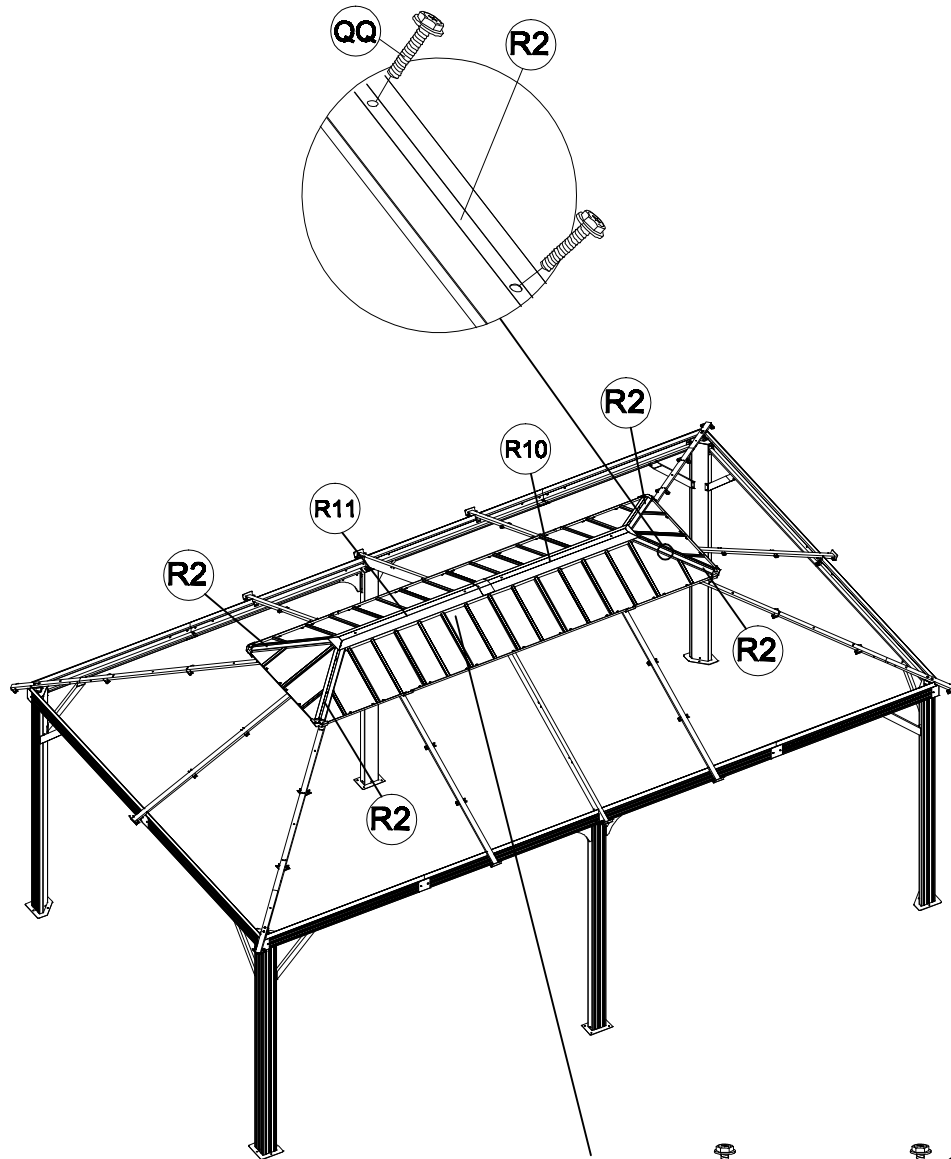
R11 1x



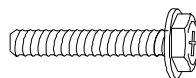
R10 1x



P 2x

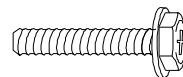


LL 4x



M6x45

QQ 8x



M6x40

25



L5 4x



L6 4x

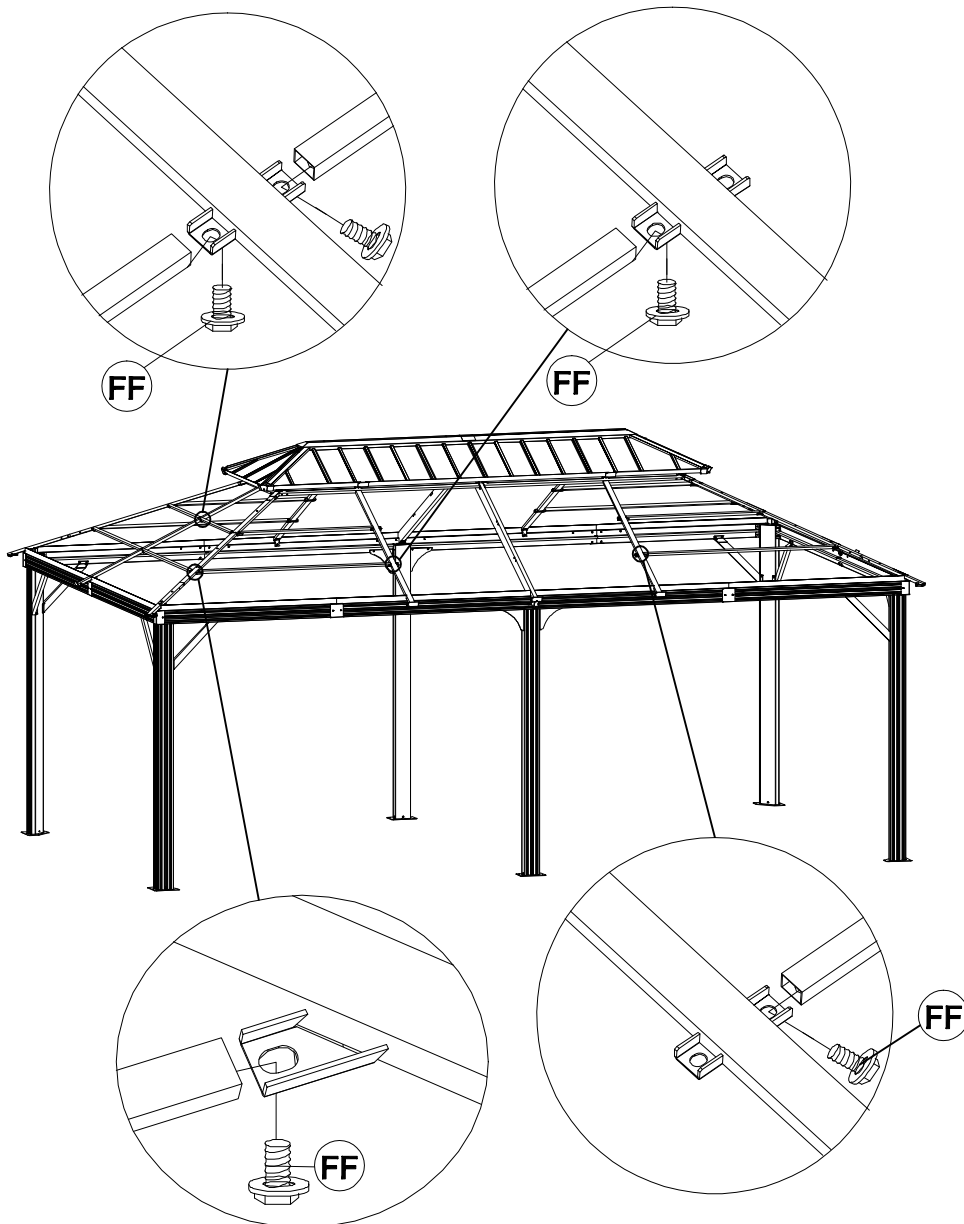
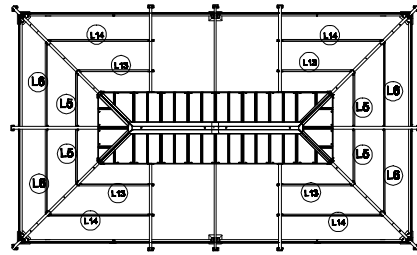


L13 4x

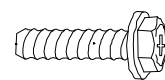


L14 4x

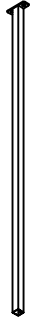
26



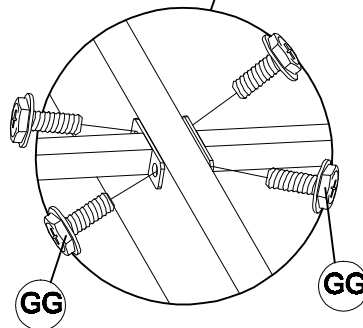
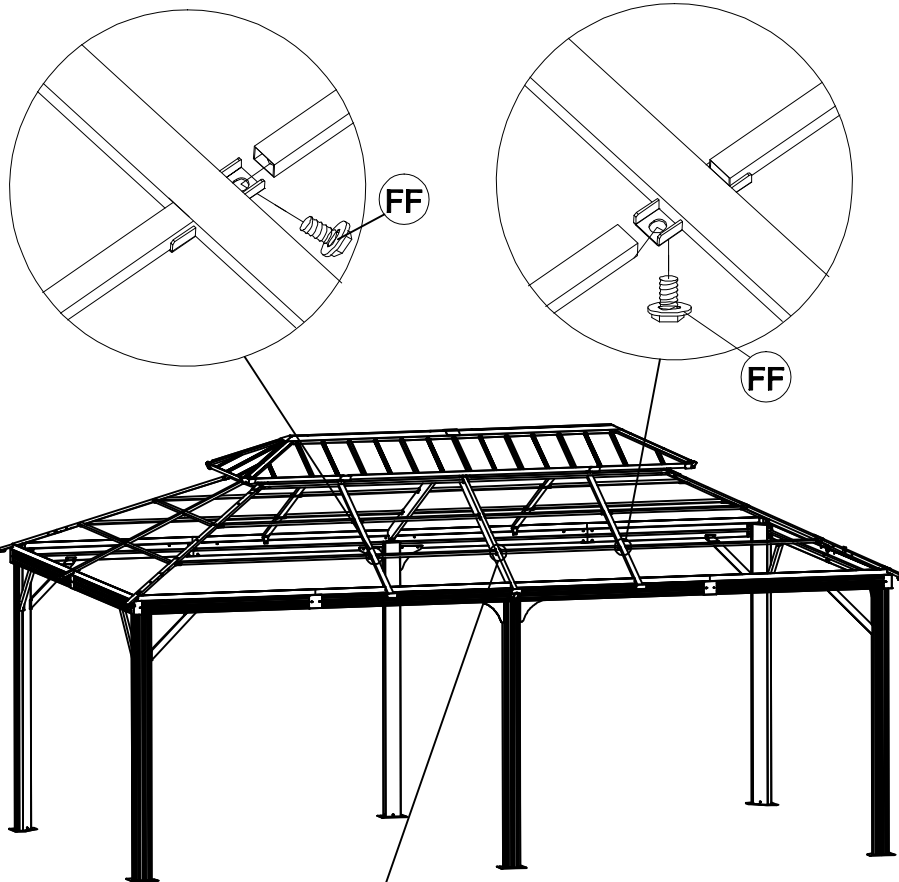
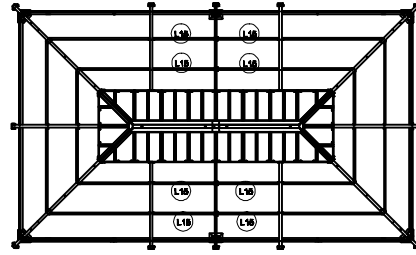
FF 32x



M6x20



L15 8x

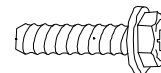


GG 16x

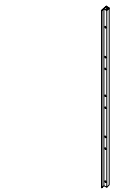


M6x15

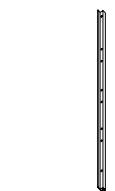
FF 8x



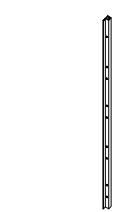
M6x20



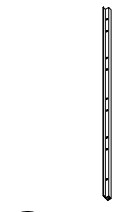
M7 2x



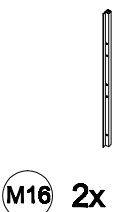
M8 2x



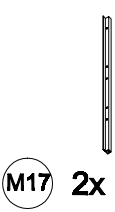
M14 2x



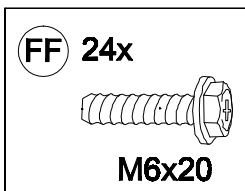
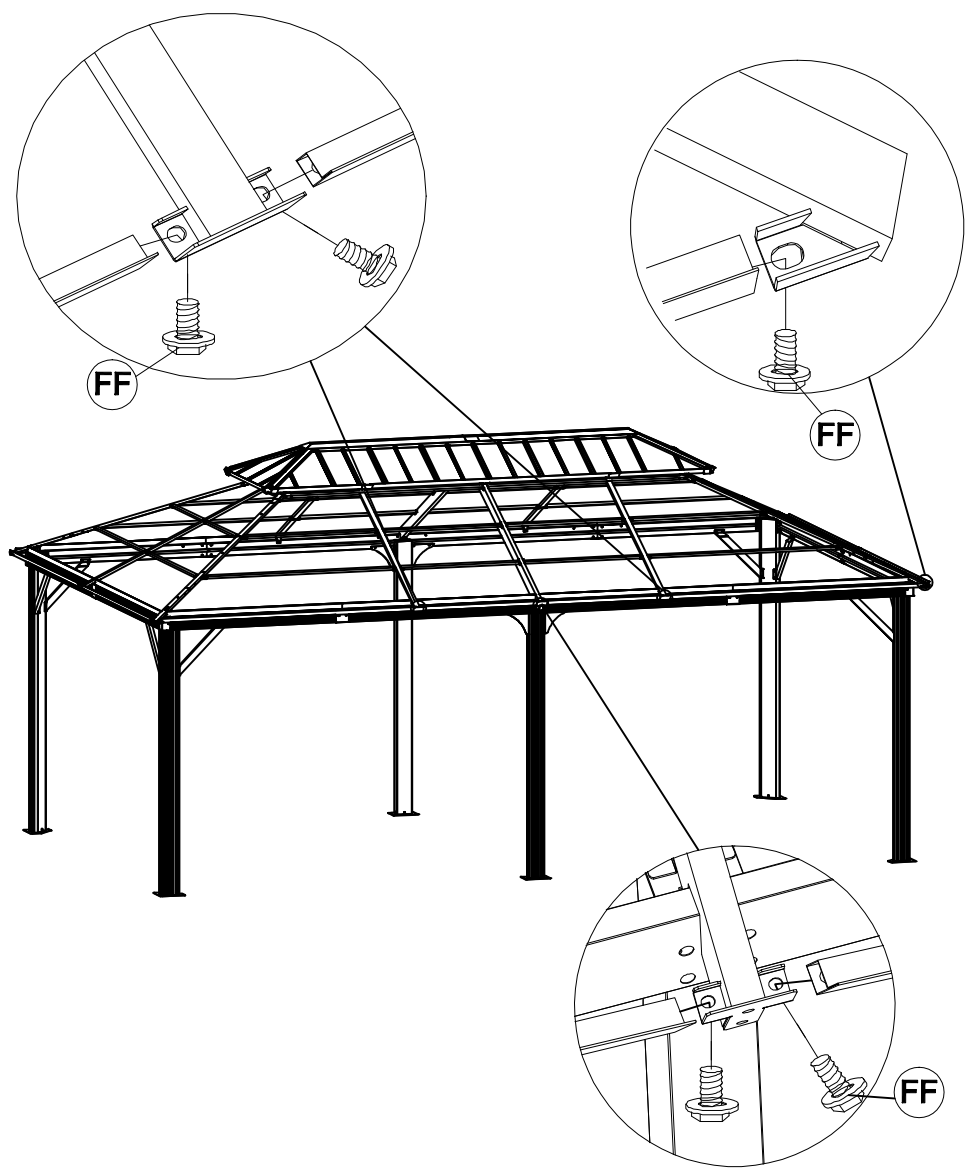
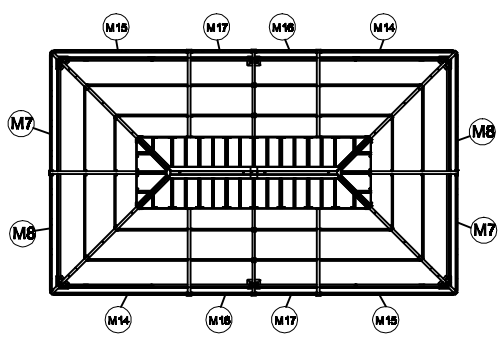
M15 2x

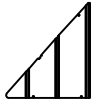


M16 2x

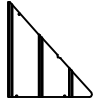


M17 2x

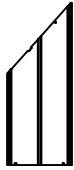




Q8 2x



Q9 2x



Q10 2x



Q11 2x



Q12 2x

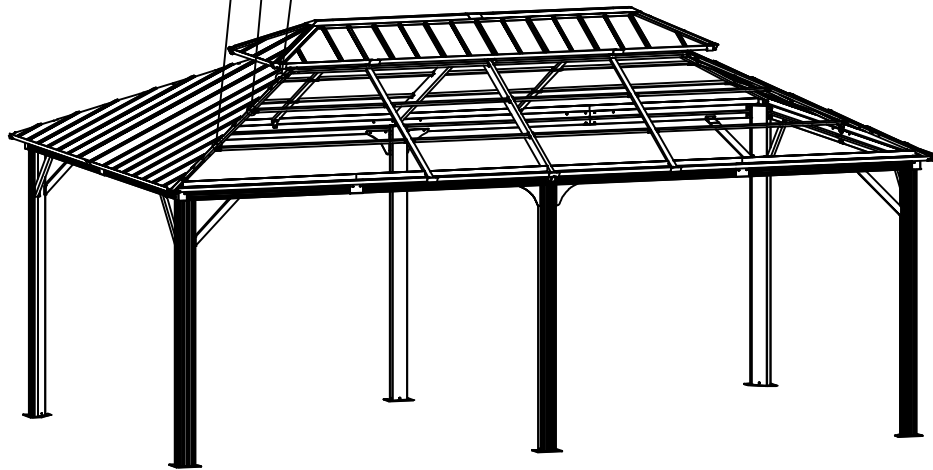
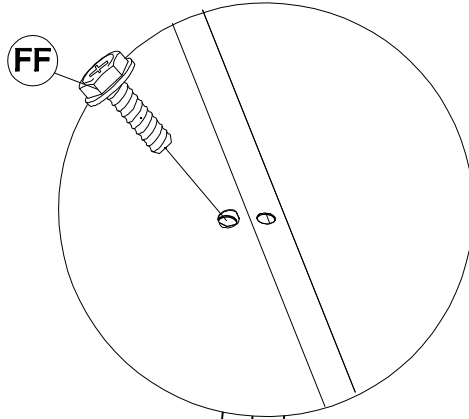
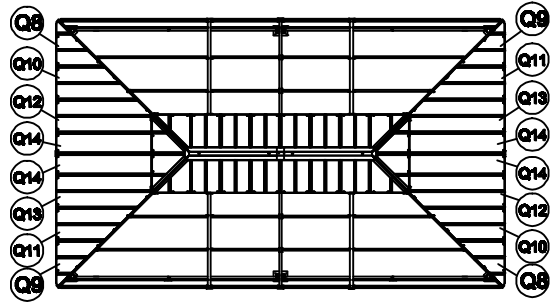


Q13 2x

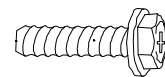
29



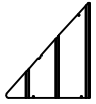
Q14 4x



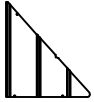
FF 12x



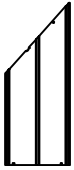
M6x20



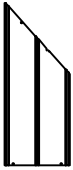
Q8 2x



Q9 2x



Q10 2x



Q11 2x



Q12 2x



Q13 2x

30

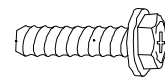


Q14 4x

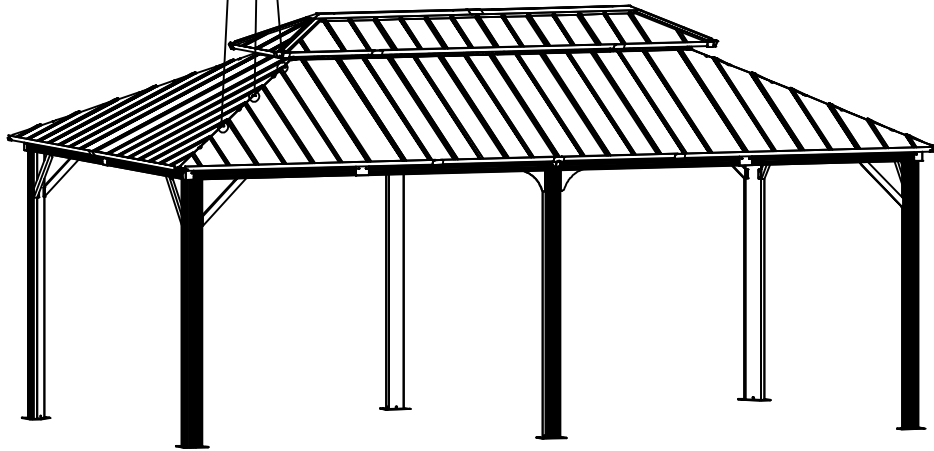
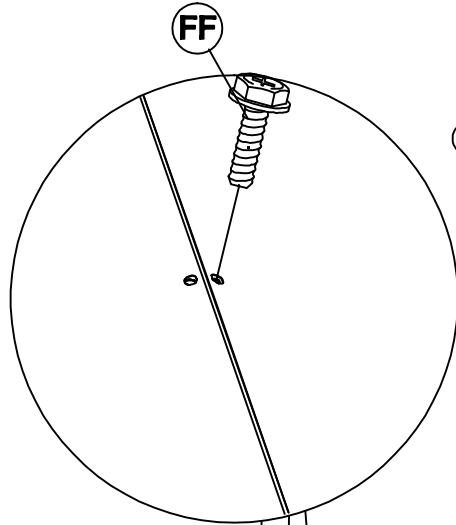
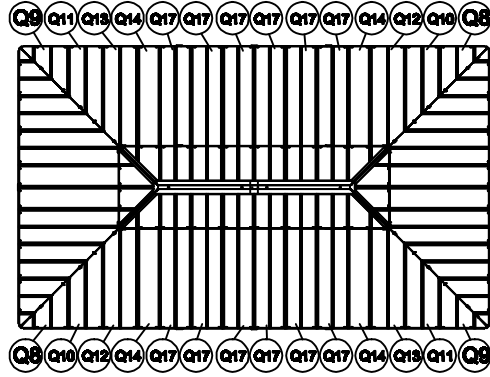


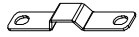
Q17 12x

FF 12x



M6x20

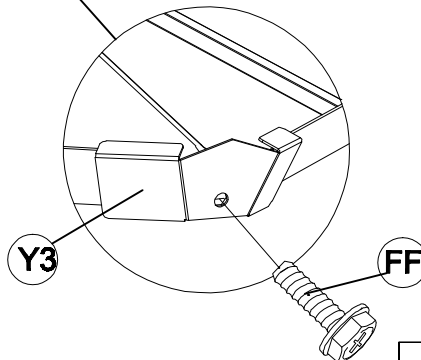
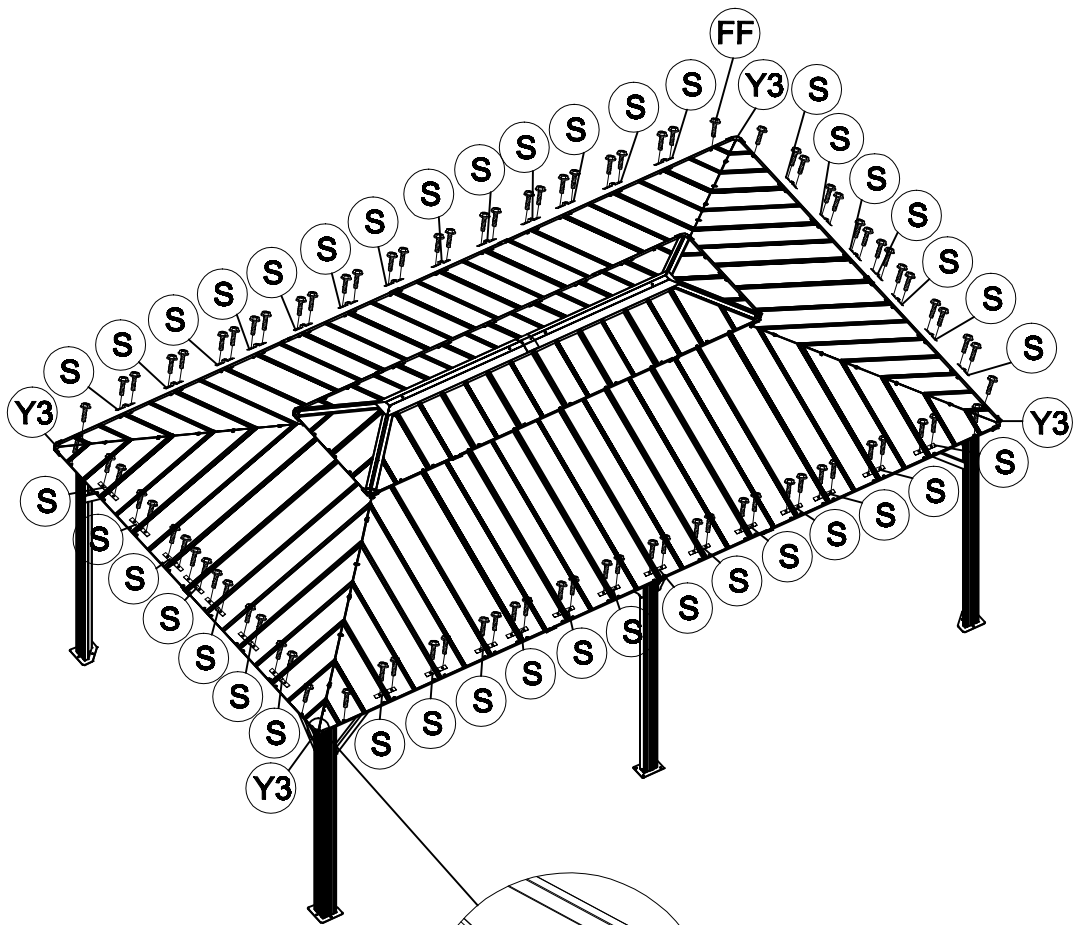




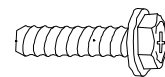
S 40x



Y3 4x



FF 92x



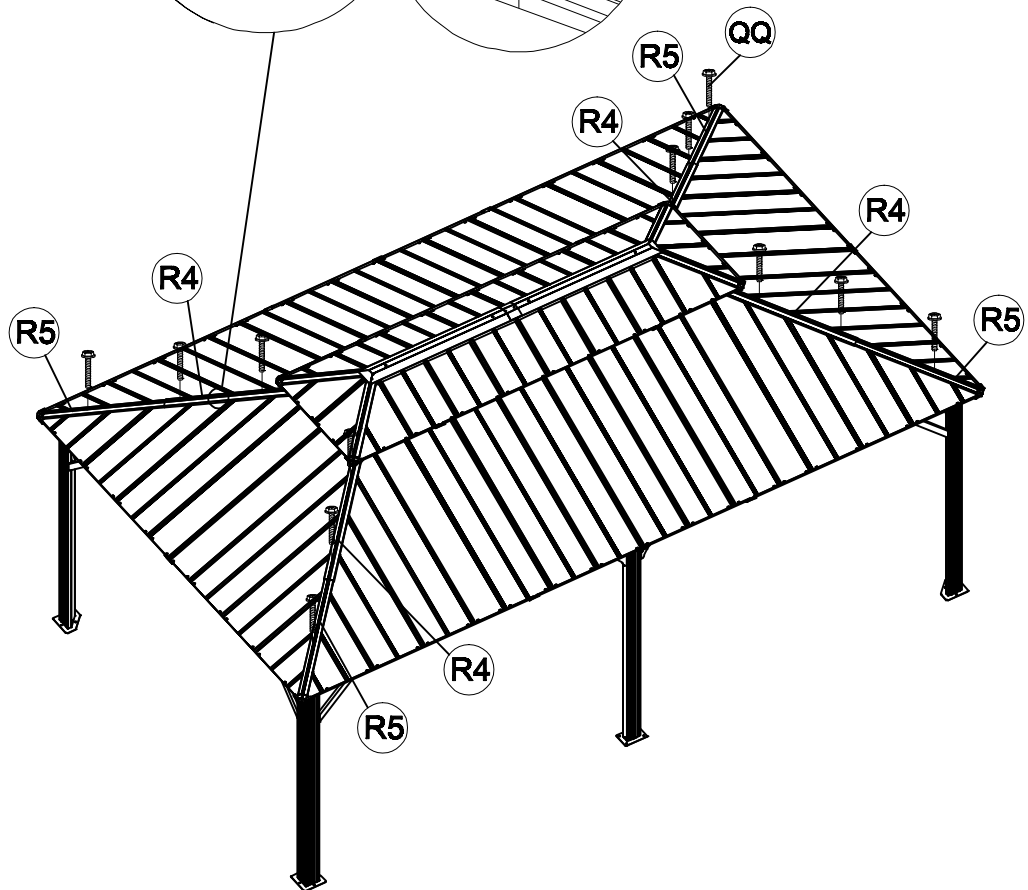
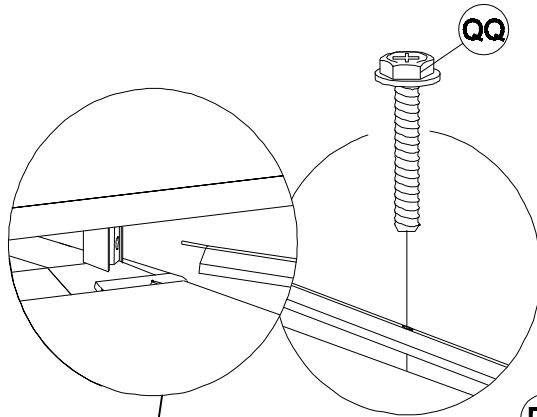
M6x20



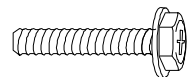
R4 4x



R5 4x

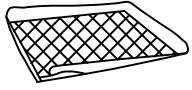


QQ 12x

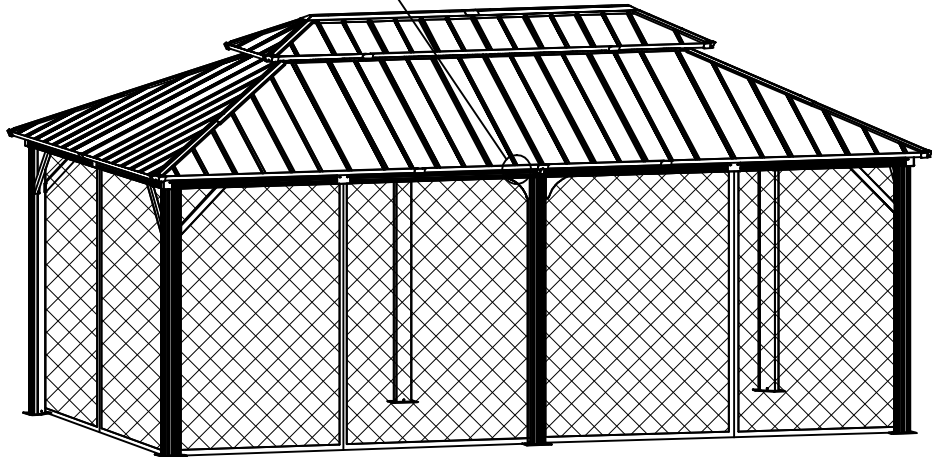
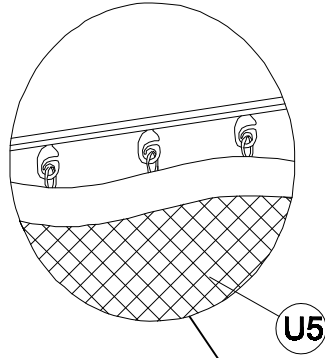


M6x40

32

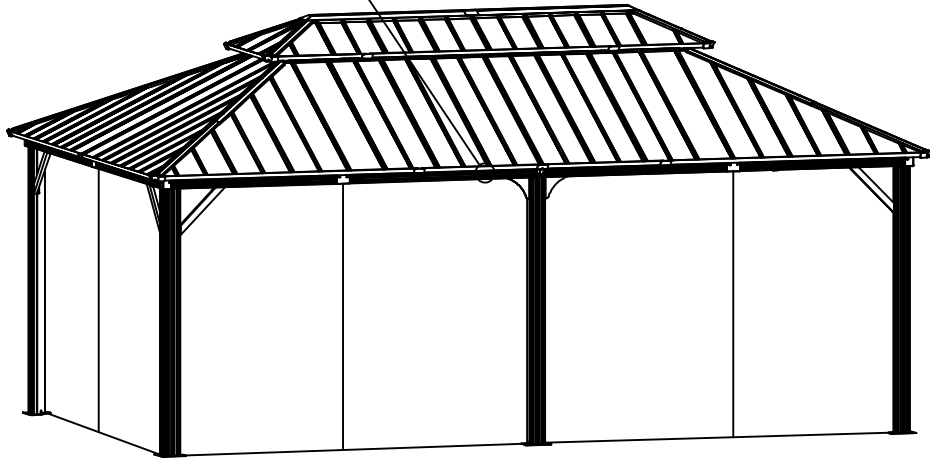
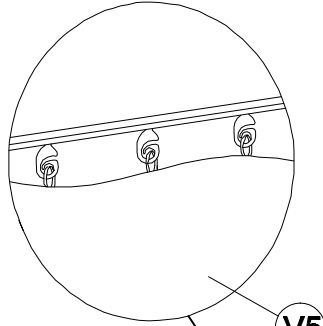


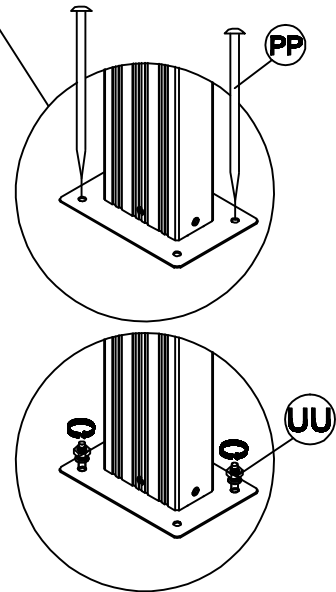
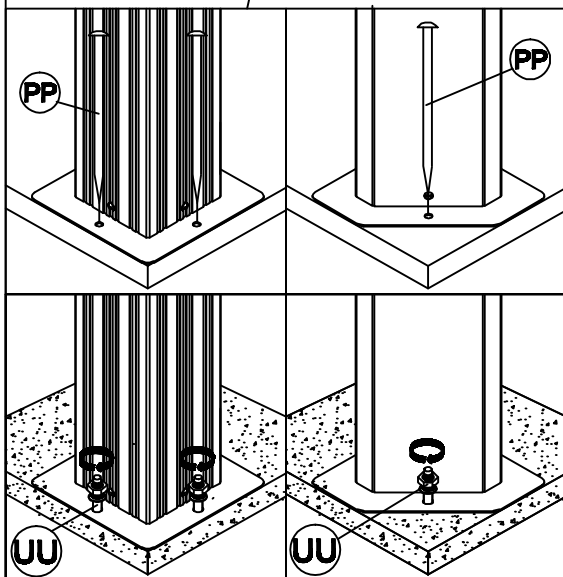
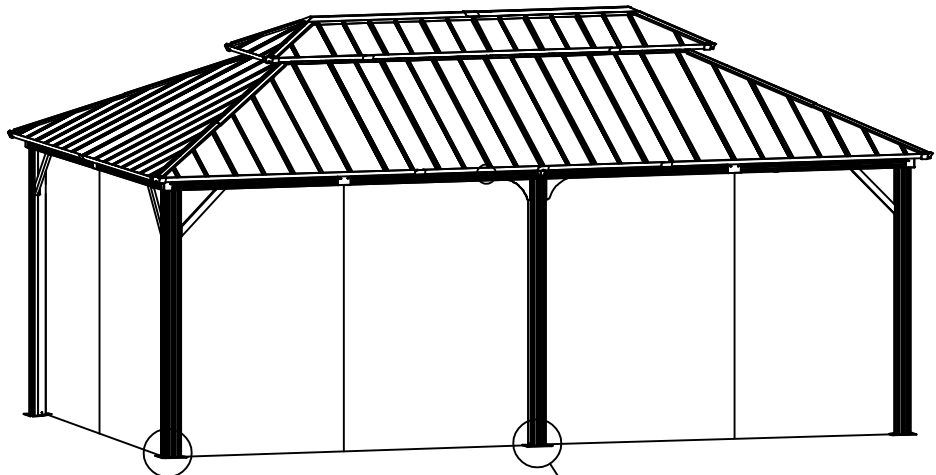
U5 1x



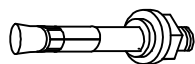


V5 1x



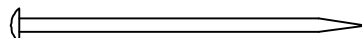


UU 12x



M6X80

PP 12x



D8X180

35