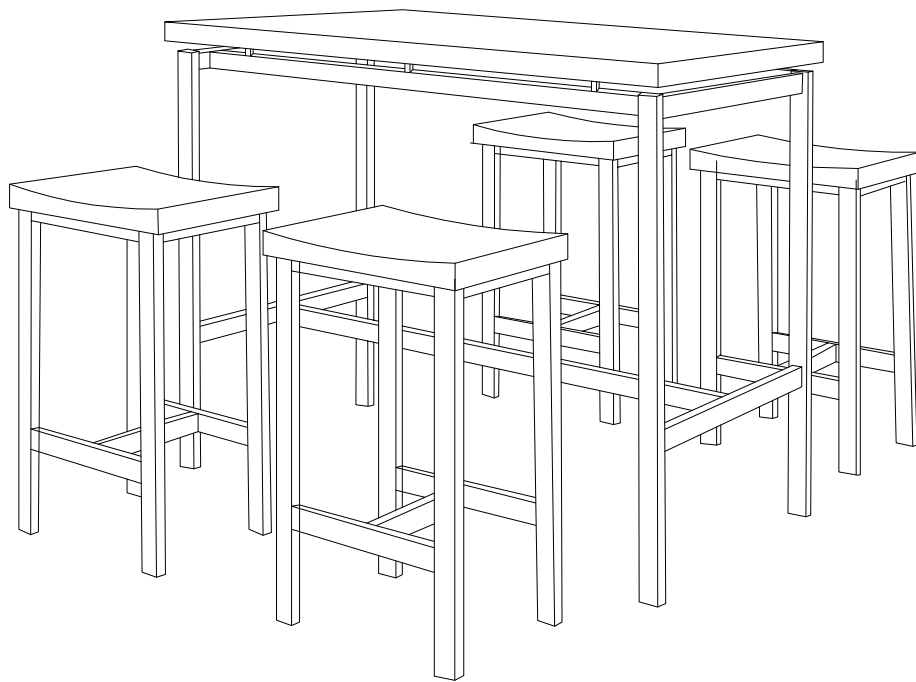


# ASSEMBLY INSTRUCTIONS

---



## TOOLS REQUIRED



Allen Wrench

(Included)



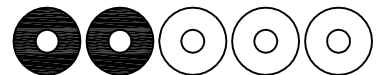
Phillips  
Screwdriver

(Not Included)



2 - Persons  
Recommended

## ASSEMBLY RATING



EASY ————— DIFFICULT

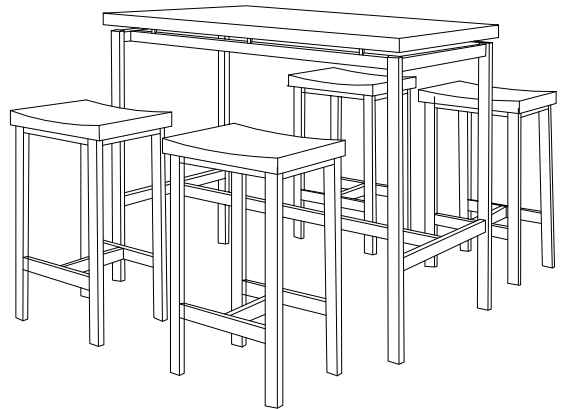
The Assembly Rating is a 5-point system showing the level of effort needed to assemble a specific product.

---

# TABLE AND CHAIR



- Please keep instructions for future reference.
- Check the quantity and irregularity of parts and hardware before you start.



## PARTS

#1 2pcs

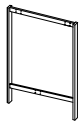


Table Leg

#2 2pcs



Table Leg Support

#3 1pc



Table Leg Bottom Support

#4 1pc

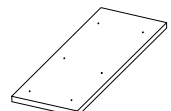


Table Top

#5 8pcs



Chair Leg

#6 8pcs



Chair Support Leg

#7 4pcs



Chair Bottom Support Leg

#8 4pcs



Seat Panel

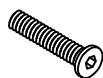
## HARDWARE

#A 72pcs



Bolt 1/4" x 3/4"

#B 6pcs



Bolt 1/4" x 3"

#C 6pcs



Flat Washer

#D 16pcs



Screw M5X1- 5/8"

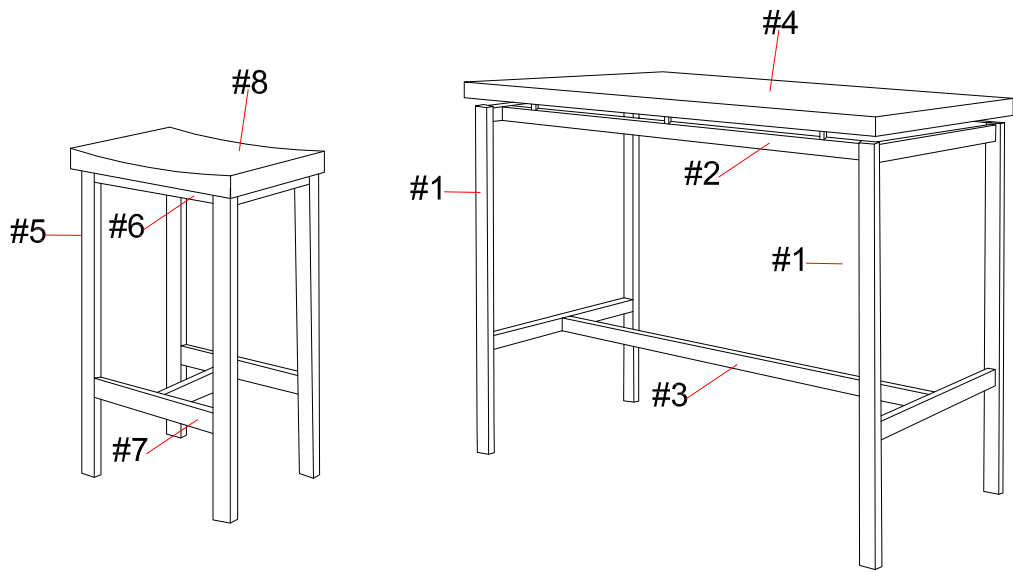
#E 1pc



Allen Wrench M4

# ASSEMBLY INSTRUCTIONS

1



2

Part #1 × 2pcs

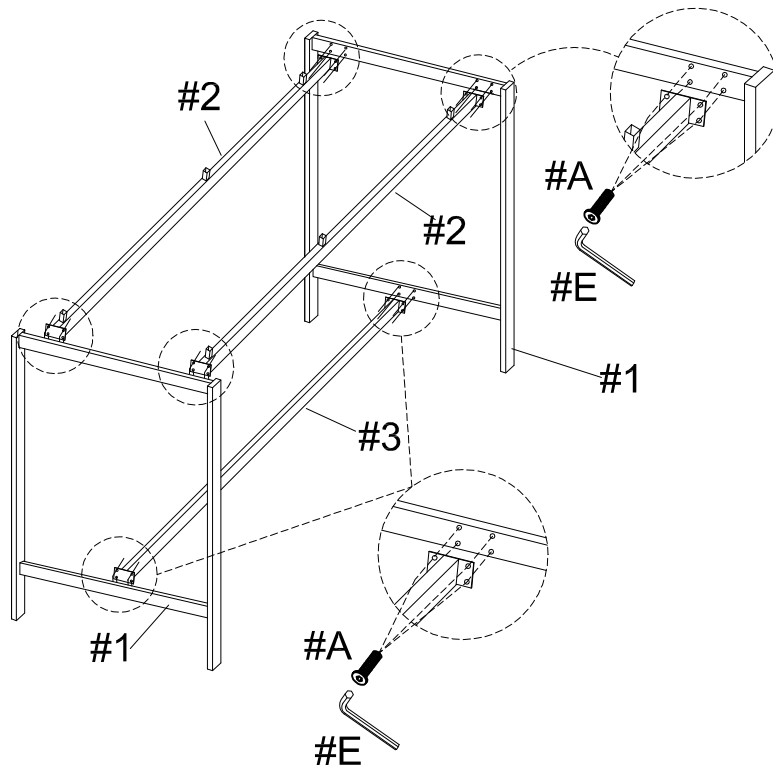
Part #2 × 2pcs

Part #3 × 1pc

Hardware #A × 24pcs

Hardware #E × 1pc

Align table leg supports(#2) and table leg bottom support(#3) to the holes of the table legs(#1).Secure by using bolts(#A).

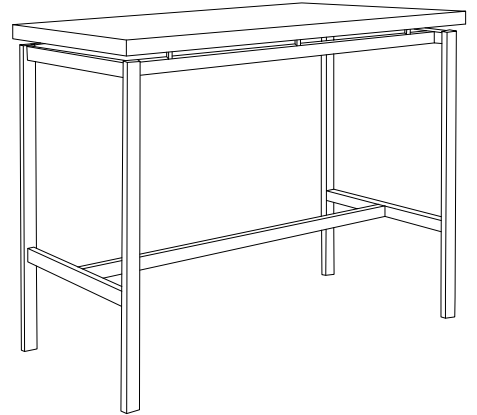
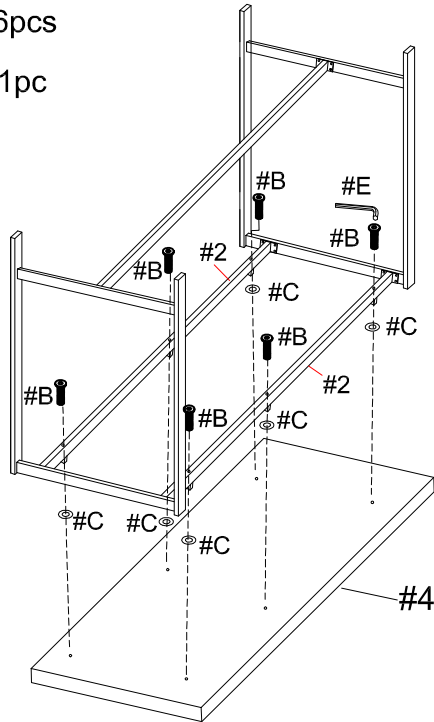


# ASSEMBLY INSTRUCTIONS

## 3

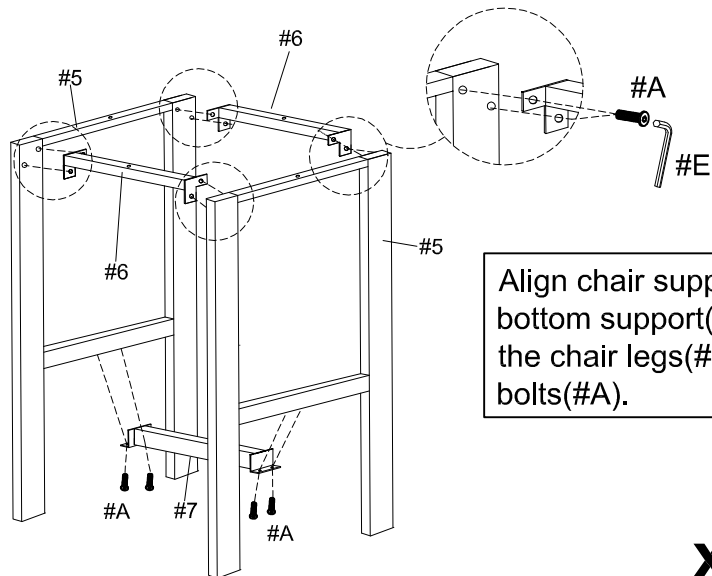
- Part #4 × 1pc
- Hardware #B × 6pcs
- Hardware #C × 6pcs
- Hardware #E × 1pc

Prepare 6 bolts assembly by inserting washer (#C) onto bolts(#B). Align table base to the table top(#4), then secure by using bolts(#B).



## 4

- Part #5 × 8pcs
- Part #6 × 8pcs
- Part #7 × 4pcs
- Hardware #A × 48pcs



Align chair support(#6) and chair bottom support(#7) to the holes for the chair legs(#5). Secure by using bolts(#A).

**x 4**

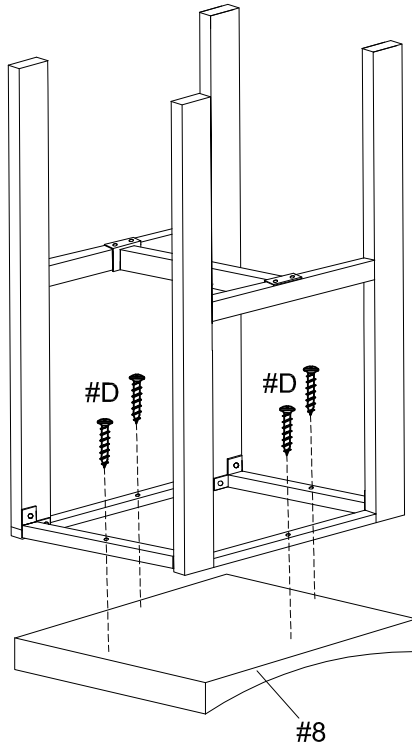
# ASSEMBLY INSTRUCTIONS

5

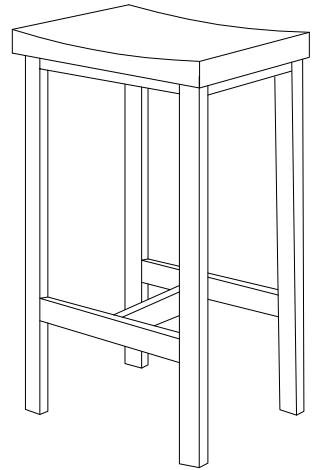
Align chair legs to the seat panel(#8), then secure by using screws(#D). There are no pre-drilled holes.

Part #8×4pcs

Hardware #D×16pcs



x 4



6

