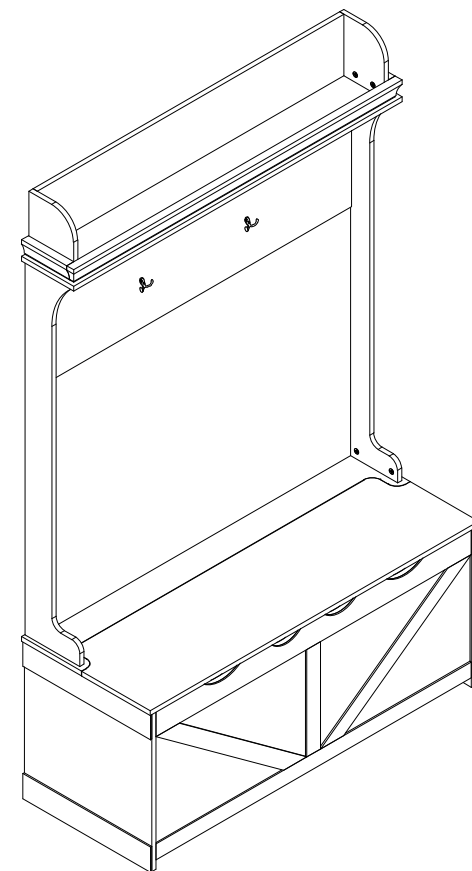
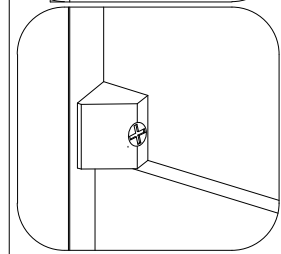
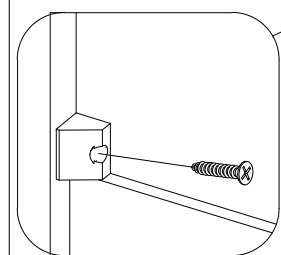
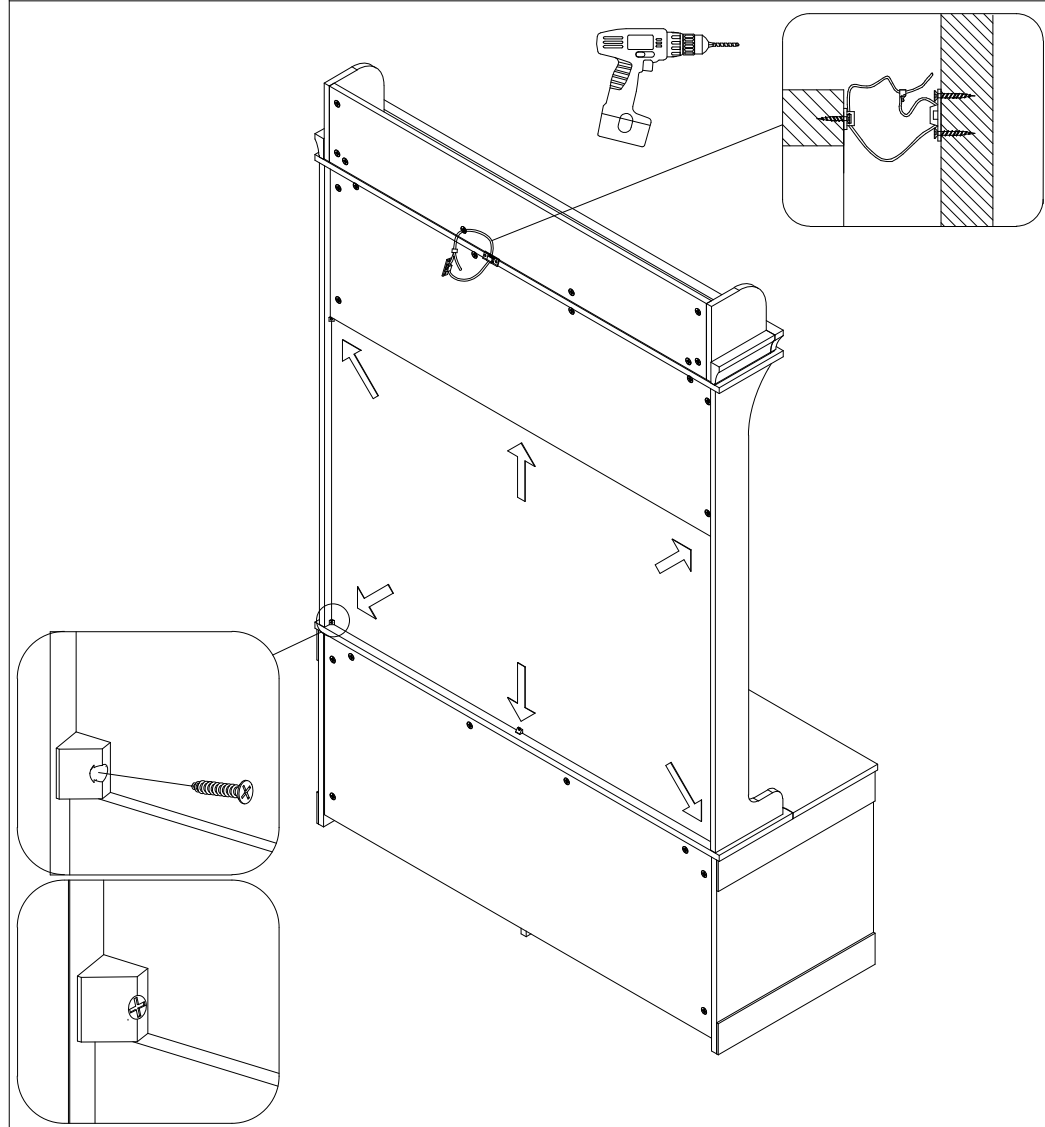


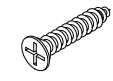
Assembly Instructions



19



E



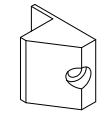
[x6]

Q



[x1]

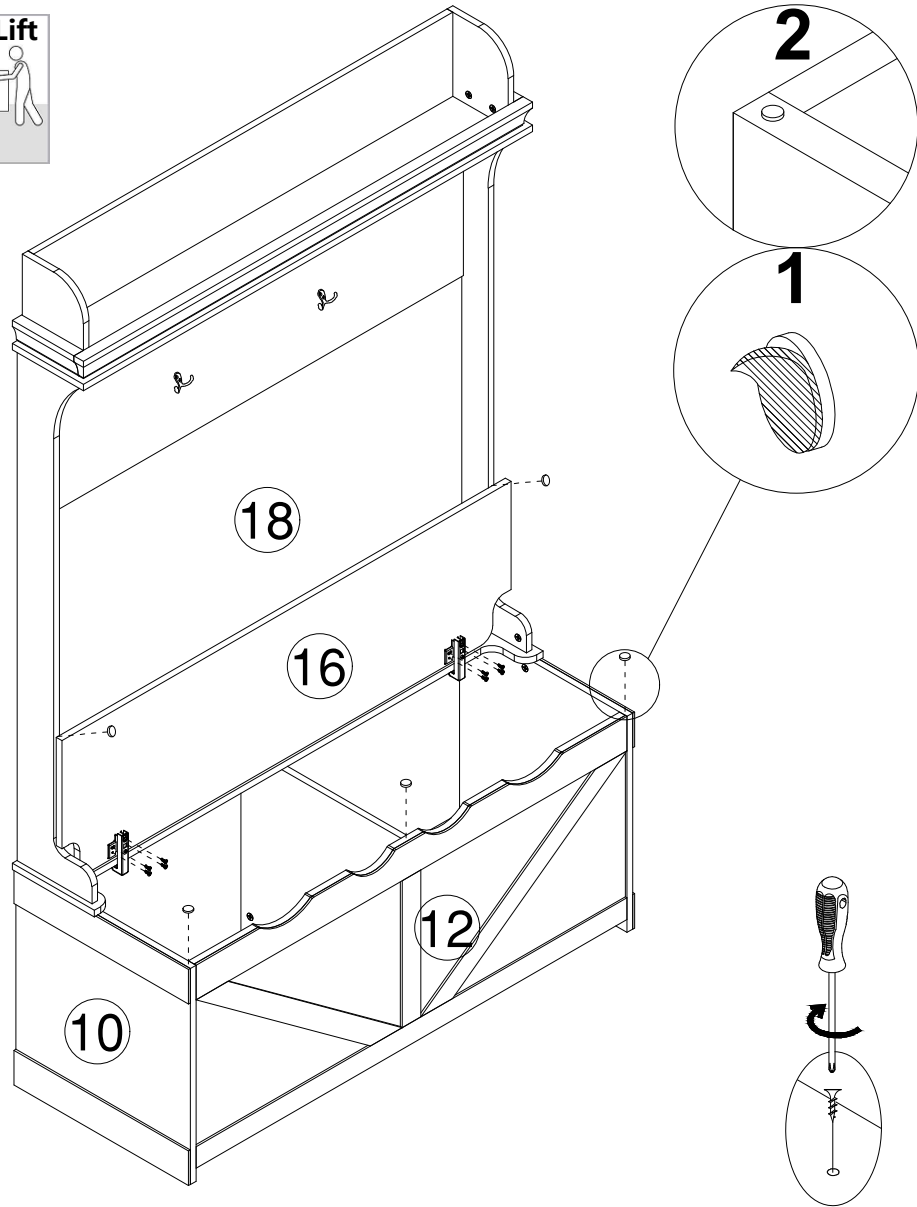
F



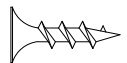
[x6]

18

Team Lift



(K)



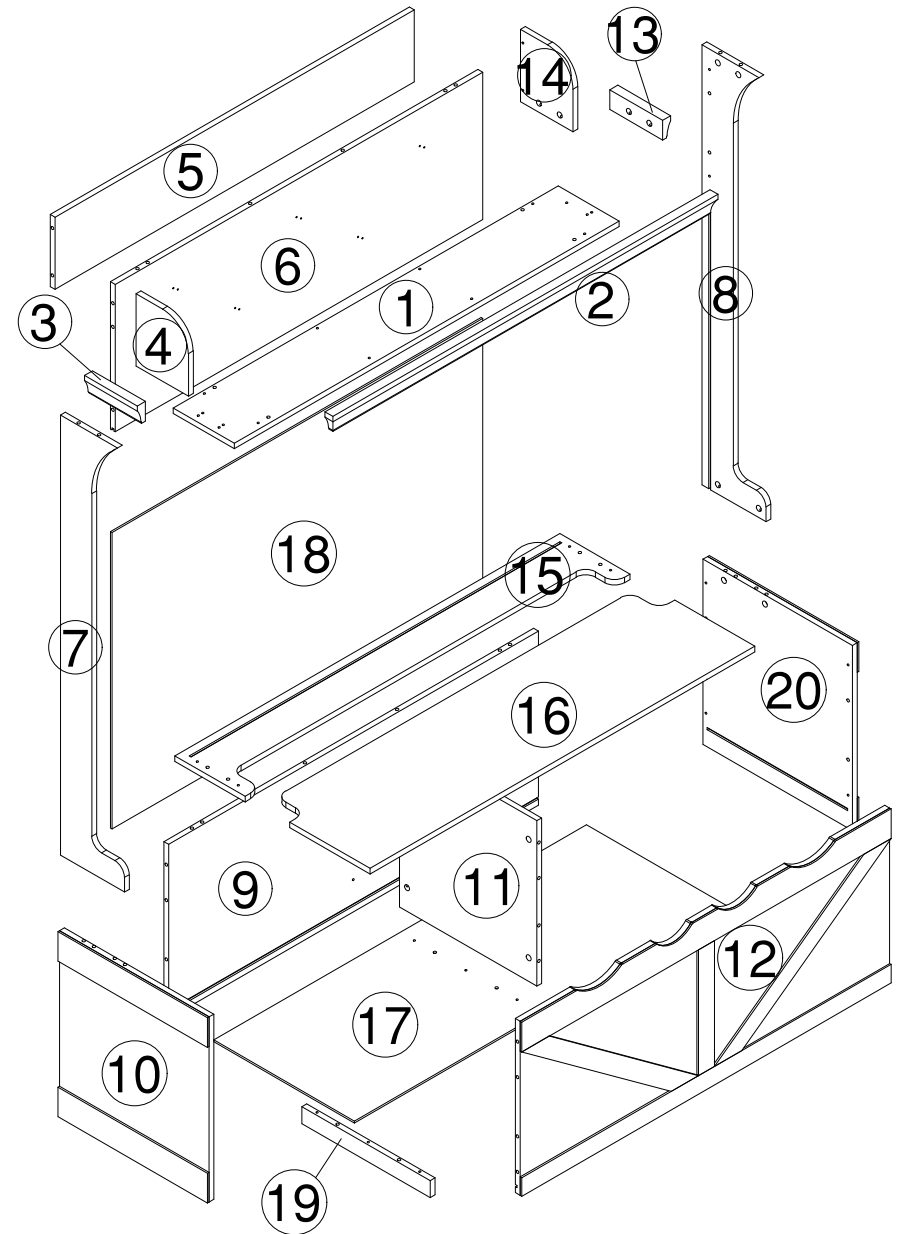
[× 8]

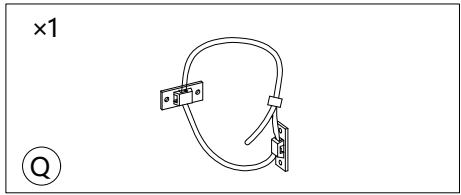
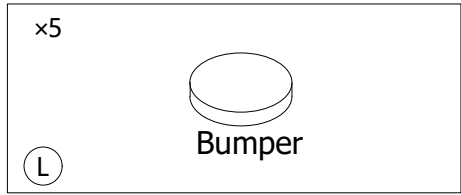
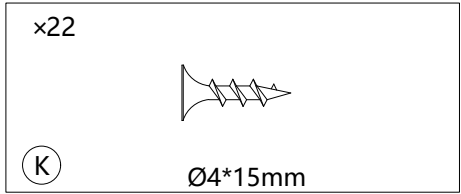
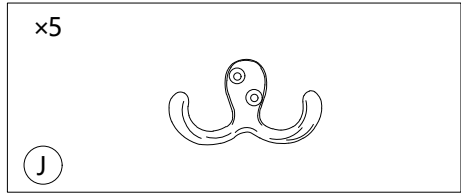
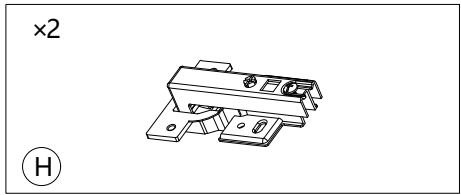
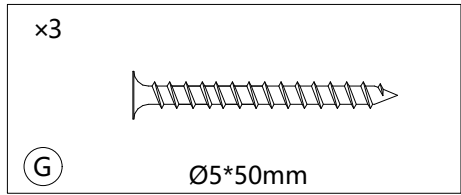
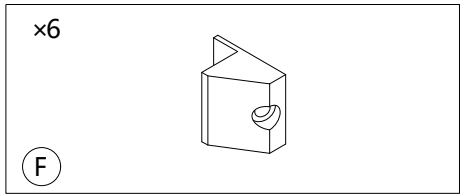
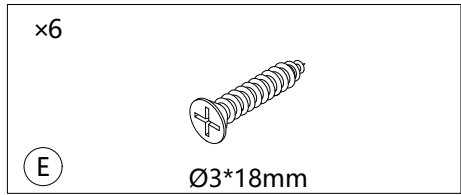
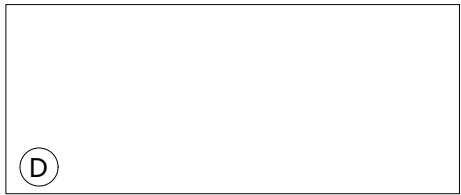
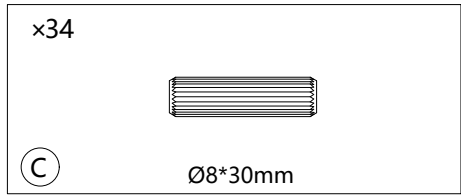
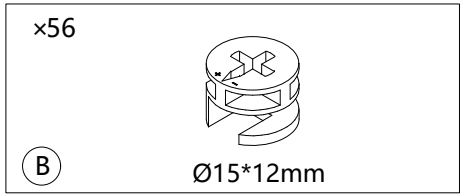
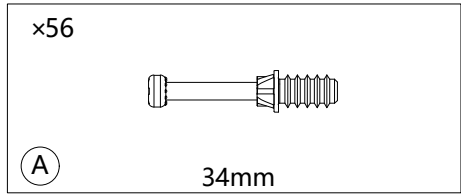
(L)



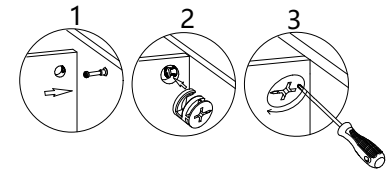
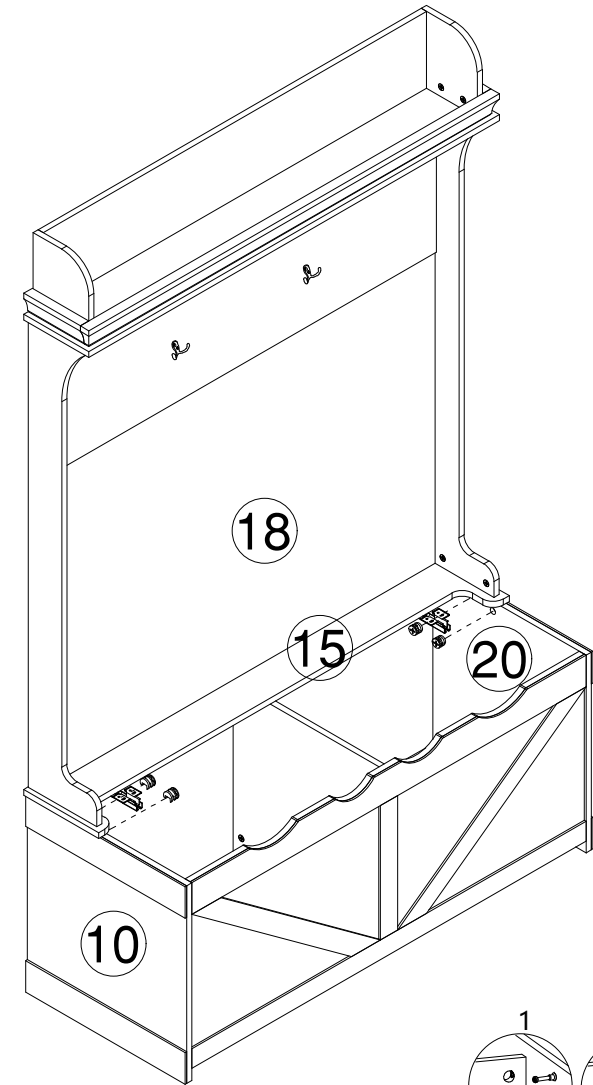
Bumper

[× 5]

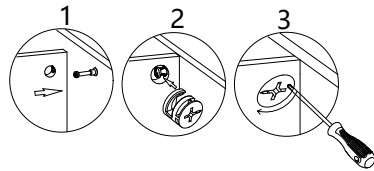
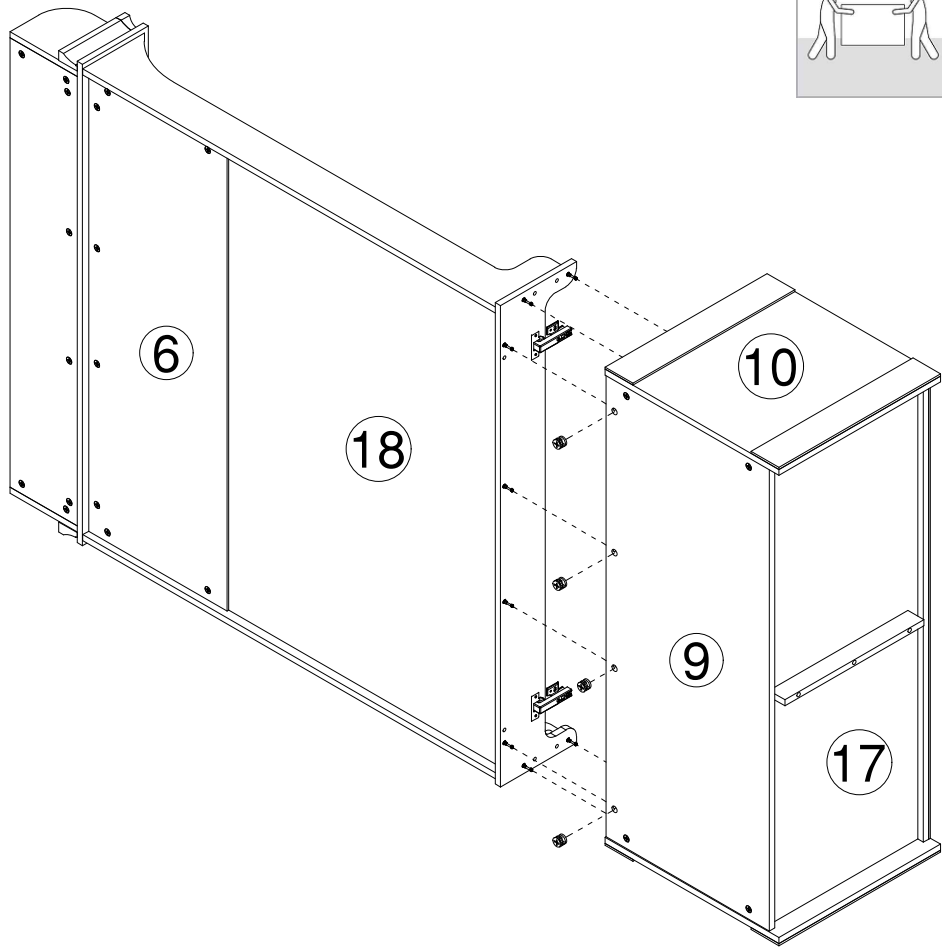




17



16

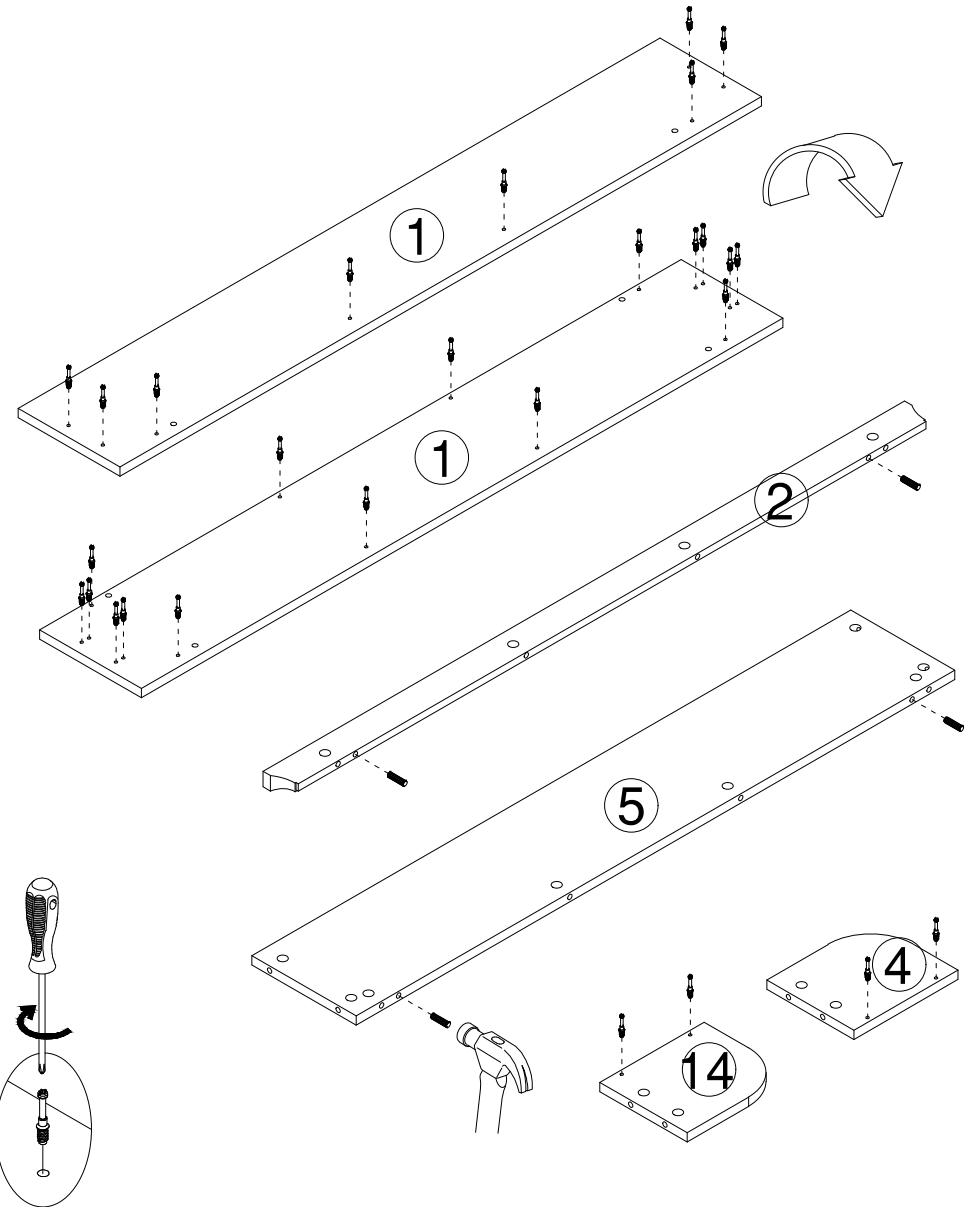


C

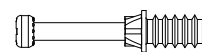


[x4]

1



A



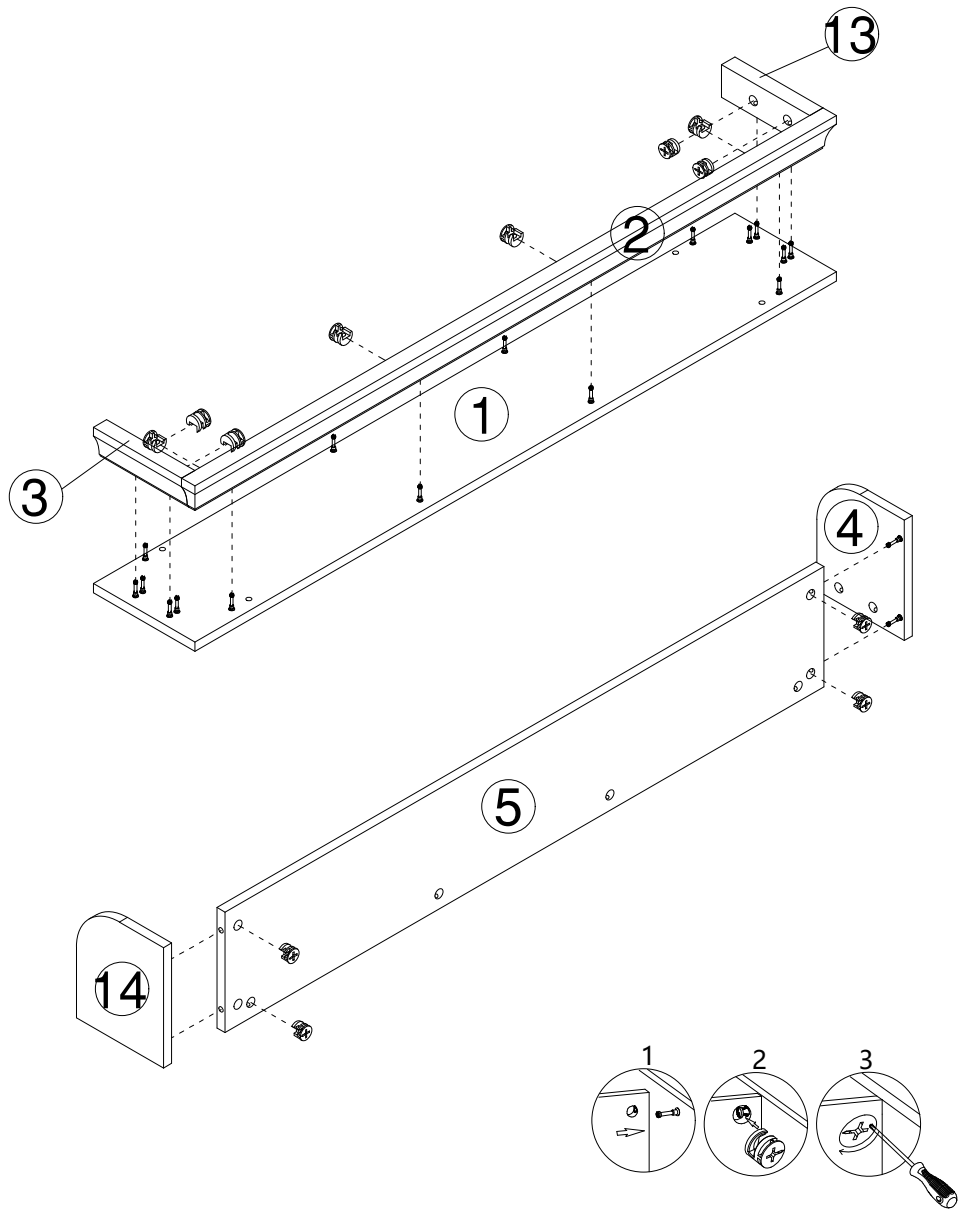
[x28]

C



[x4]

2

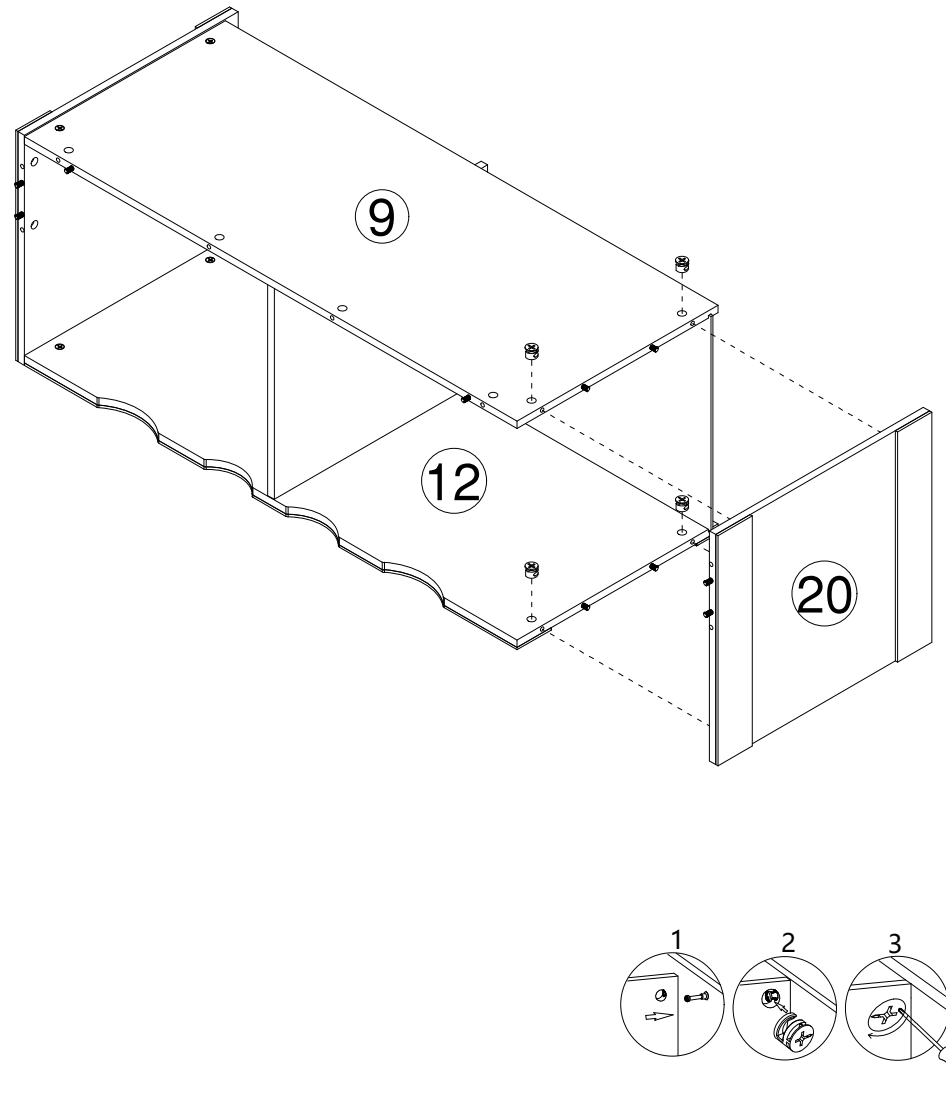


B



[×12]

15

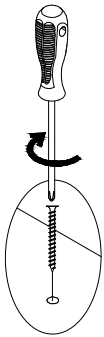
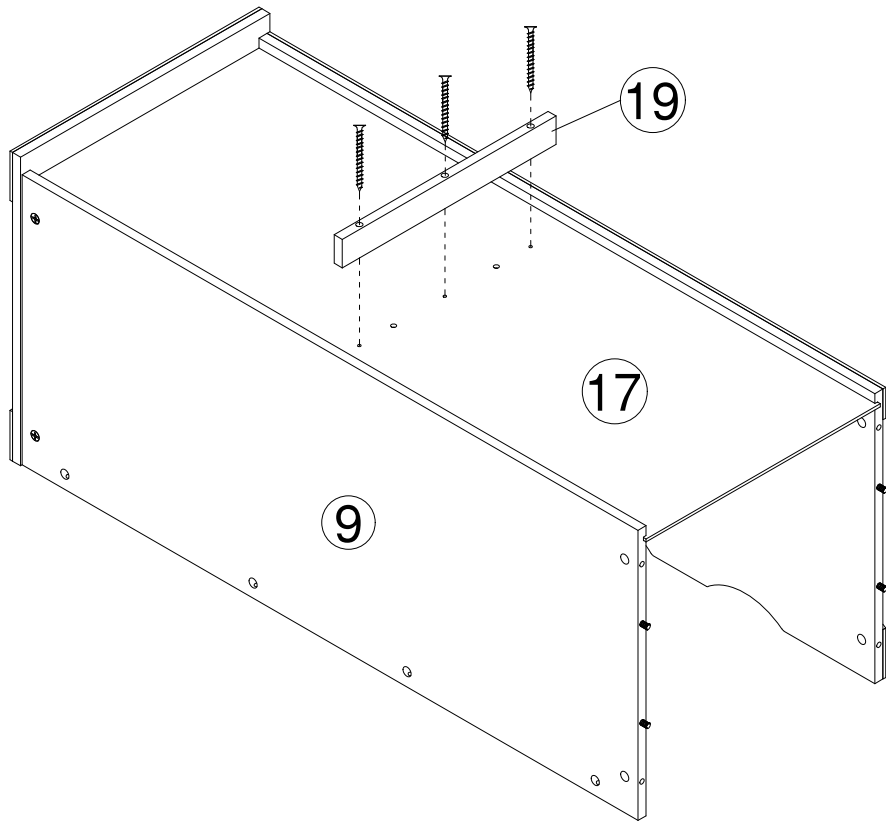


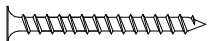
B



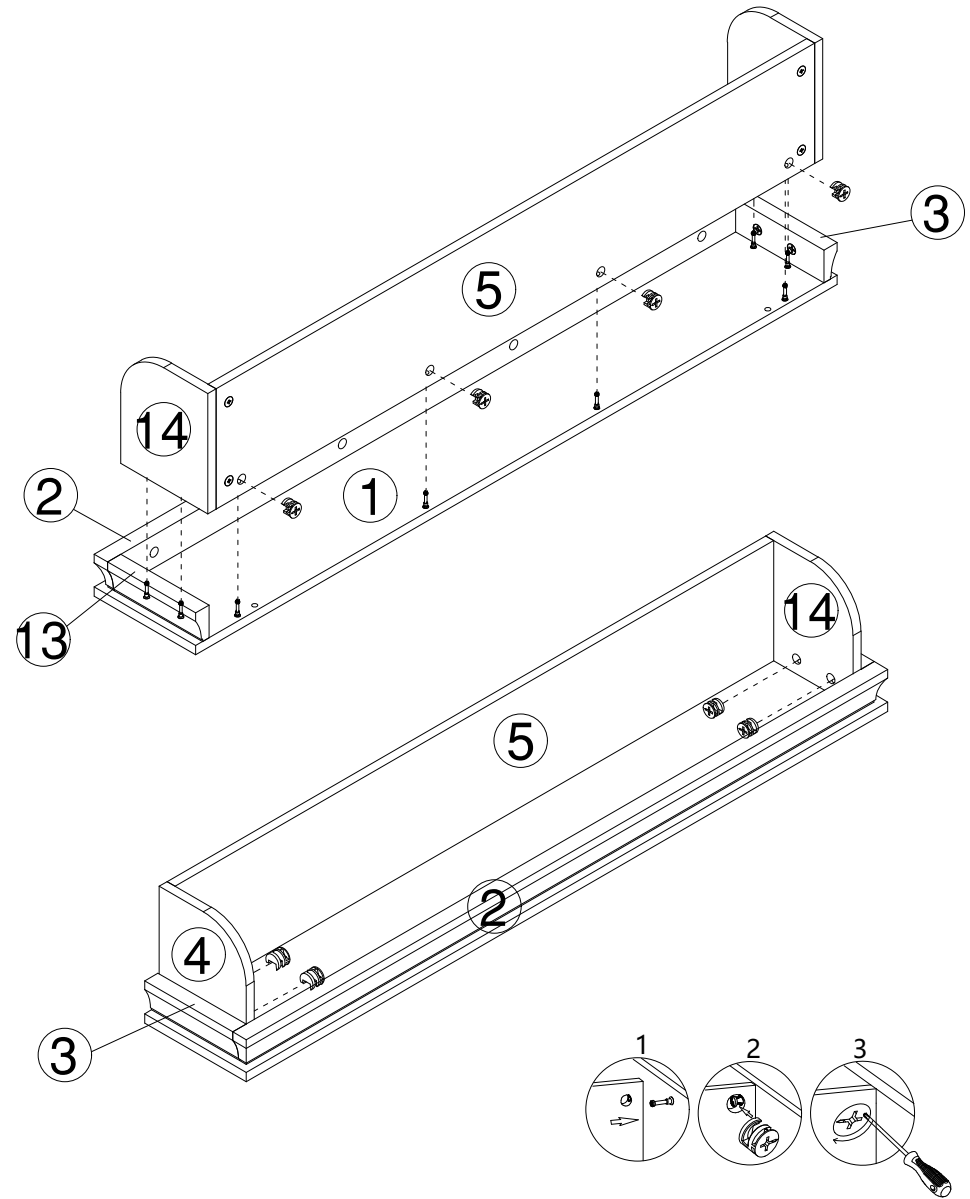
[×4]

14



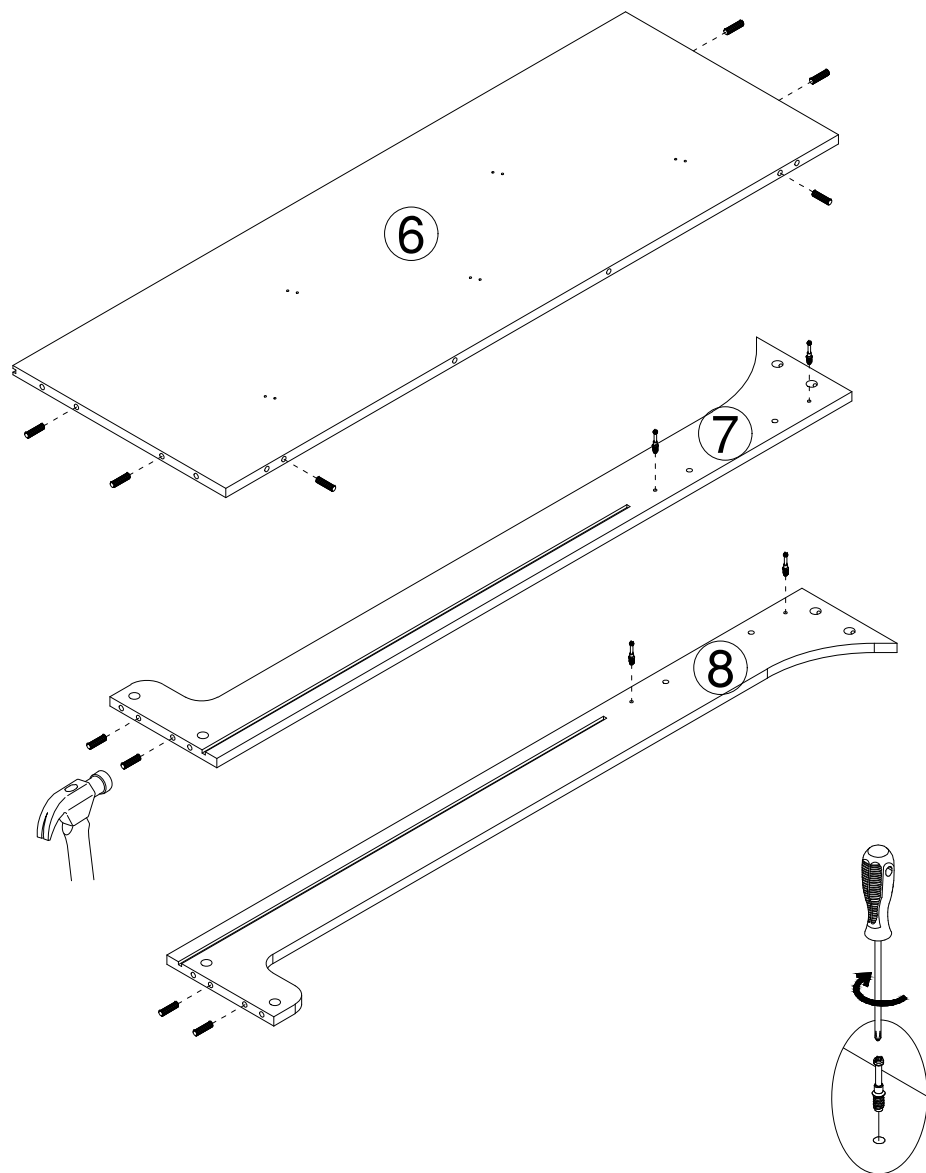
G  [x3]

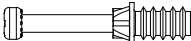
3




B  [x8]

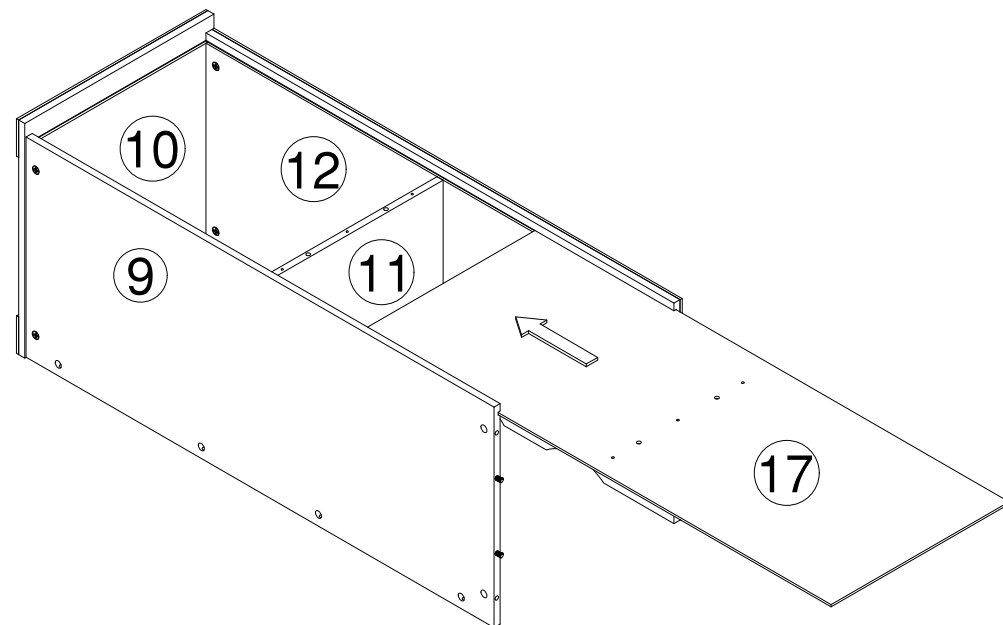
4



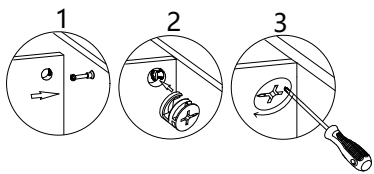
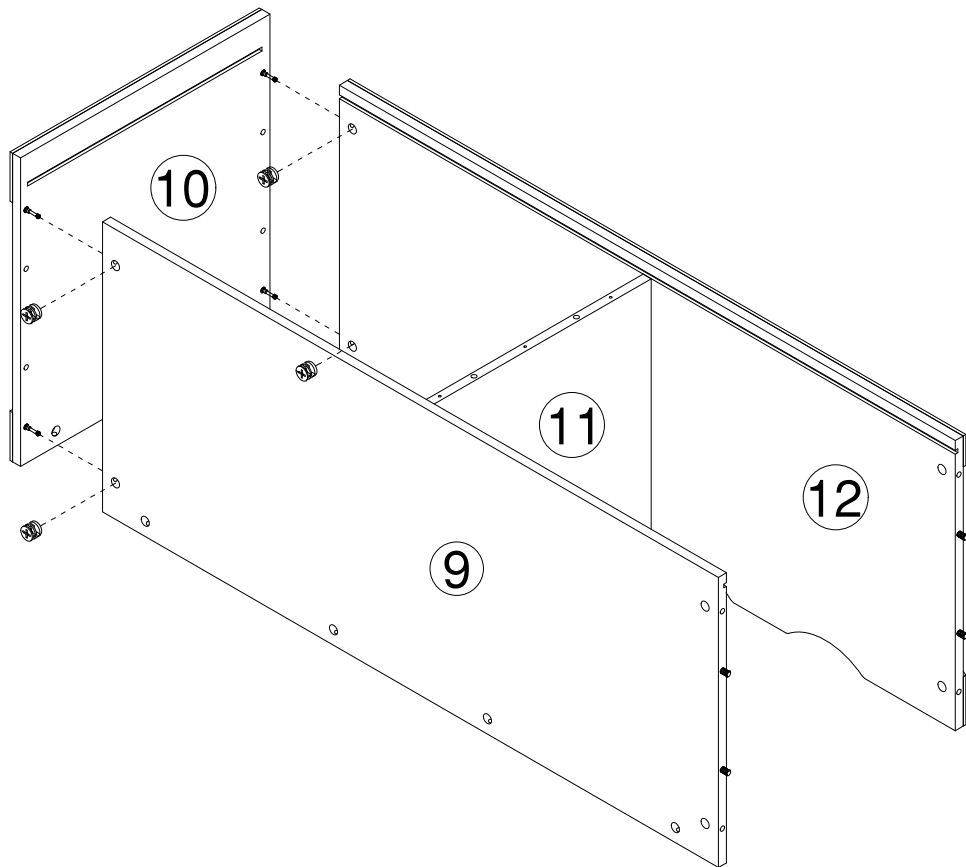
(A)  [x4]

(C)  [x10]

13



12

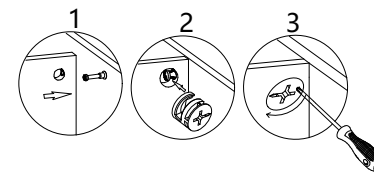
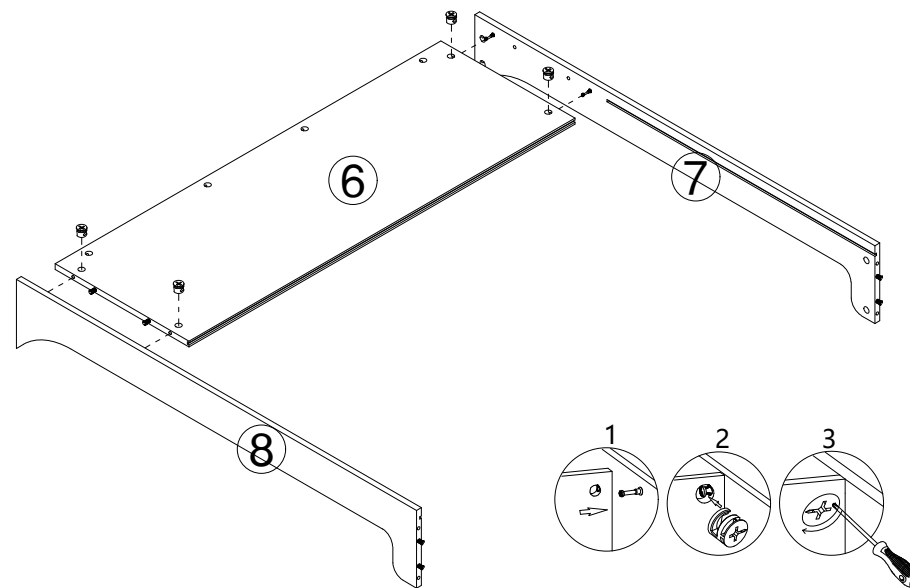


B

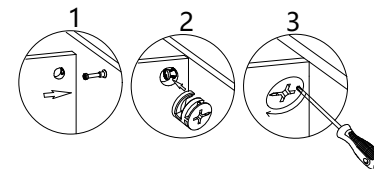
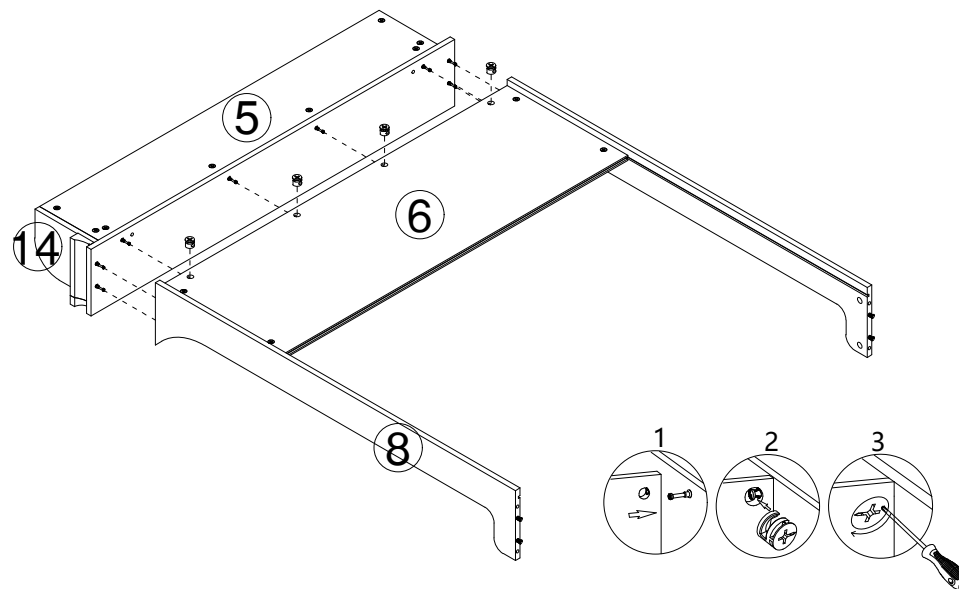


[x4]

5



14

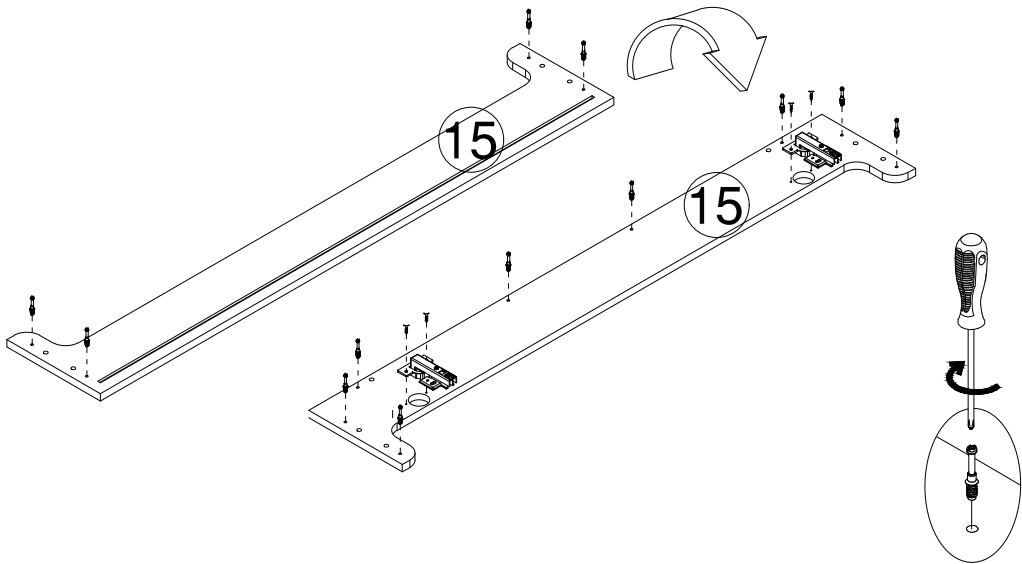
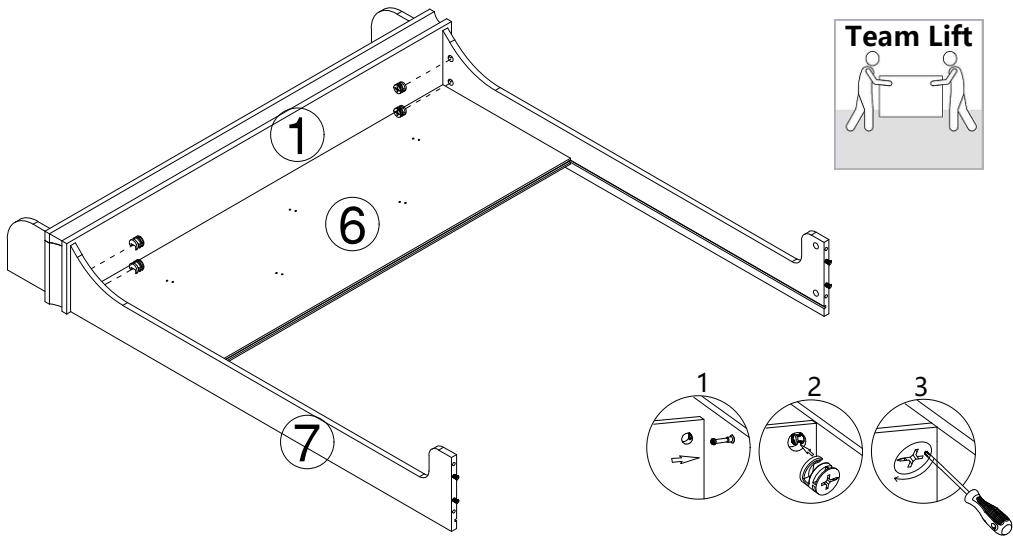


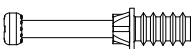

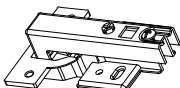
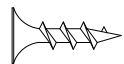
B



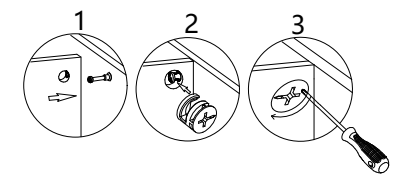
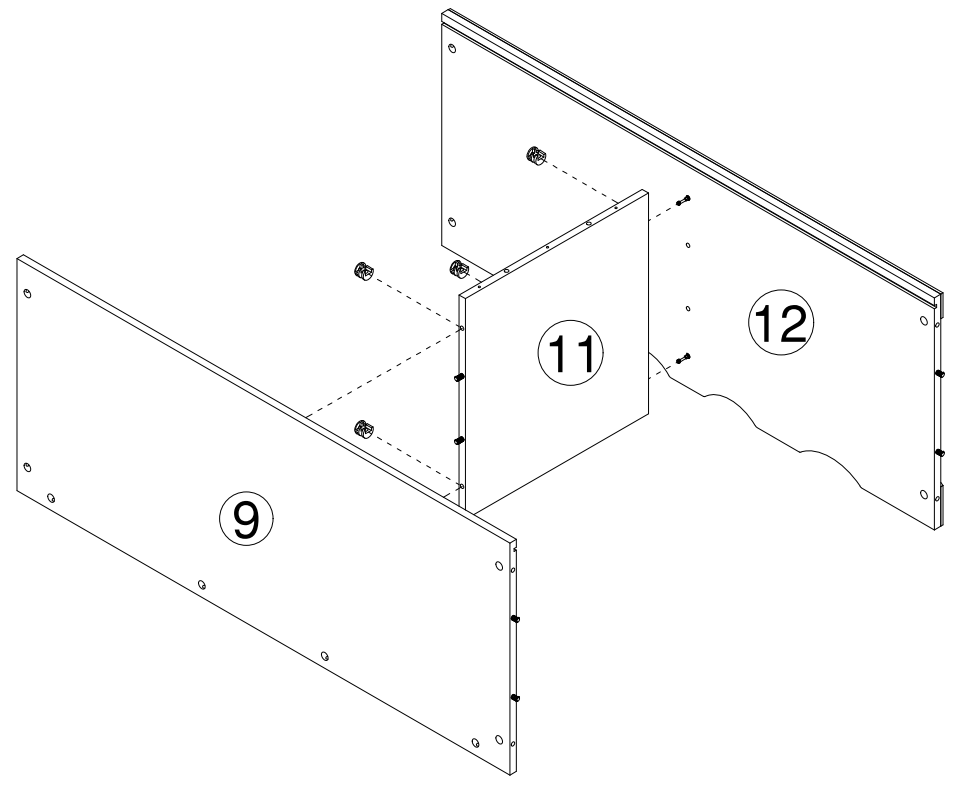
[x8]

6



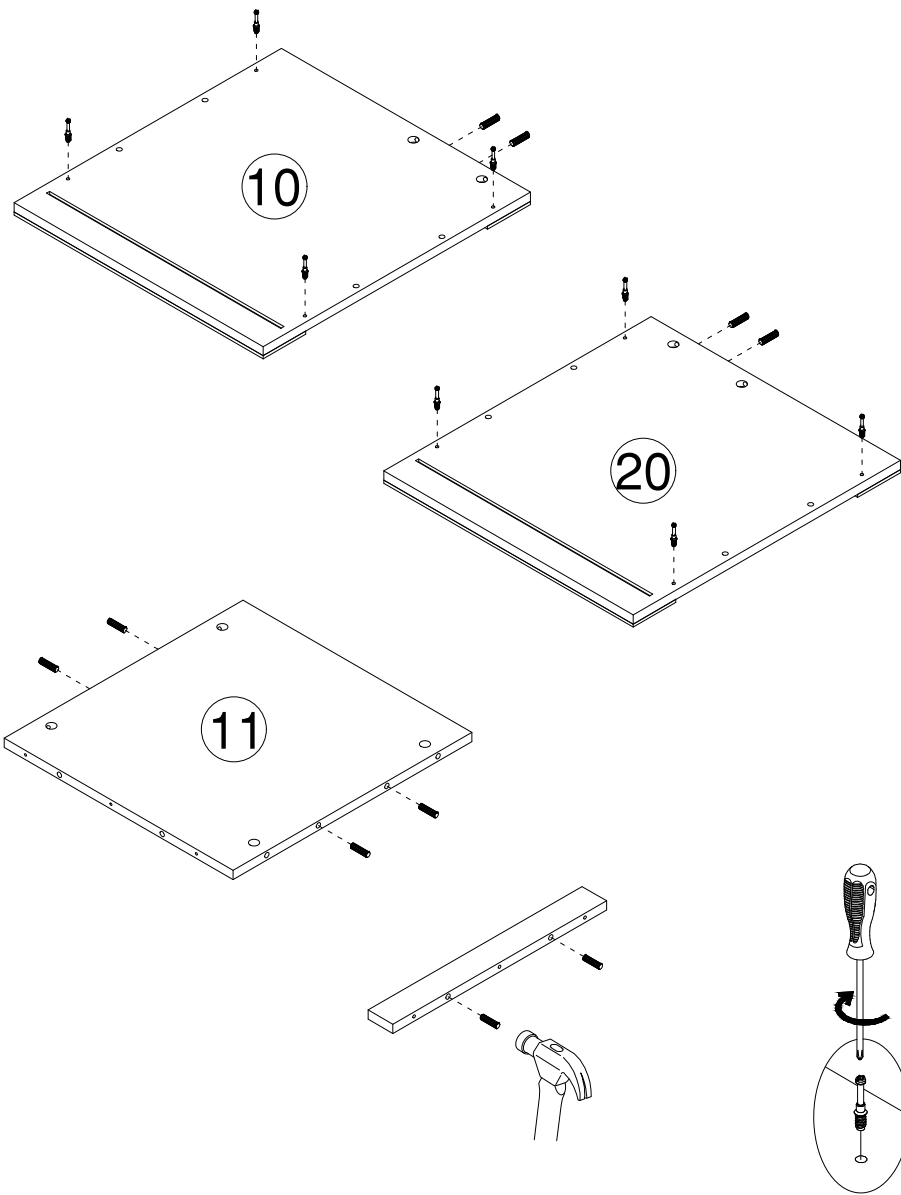
- | | | | | | |
|----------|---|---------|----------|---|--------|
| A |  | [x12] | D |  | [x4] |
| G |  | [x2] | K |  | [x4] |

11



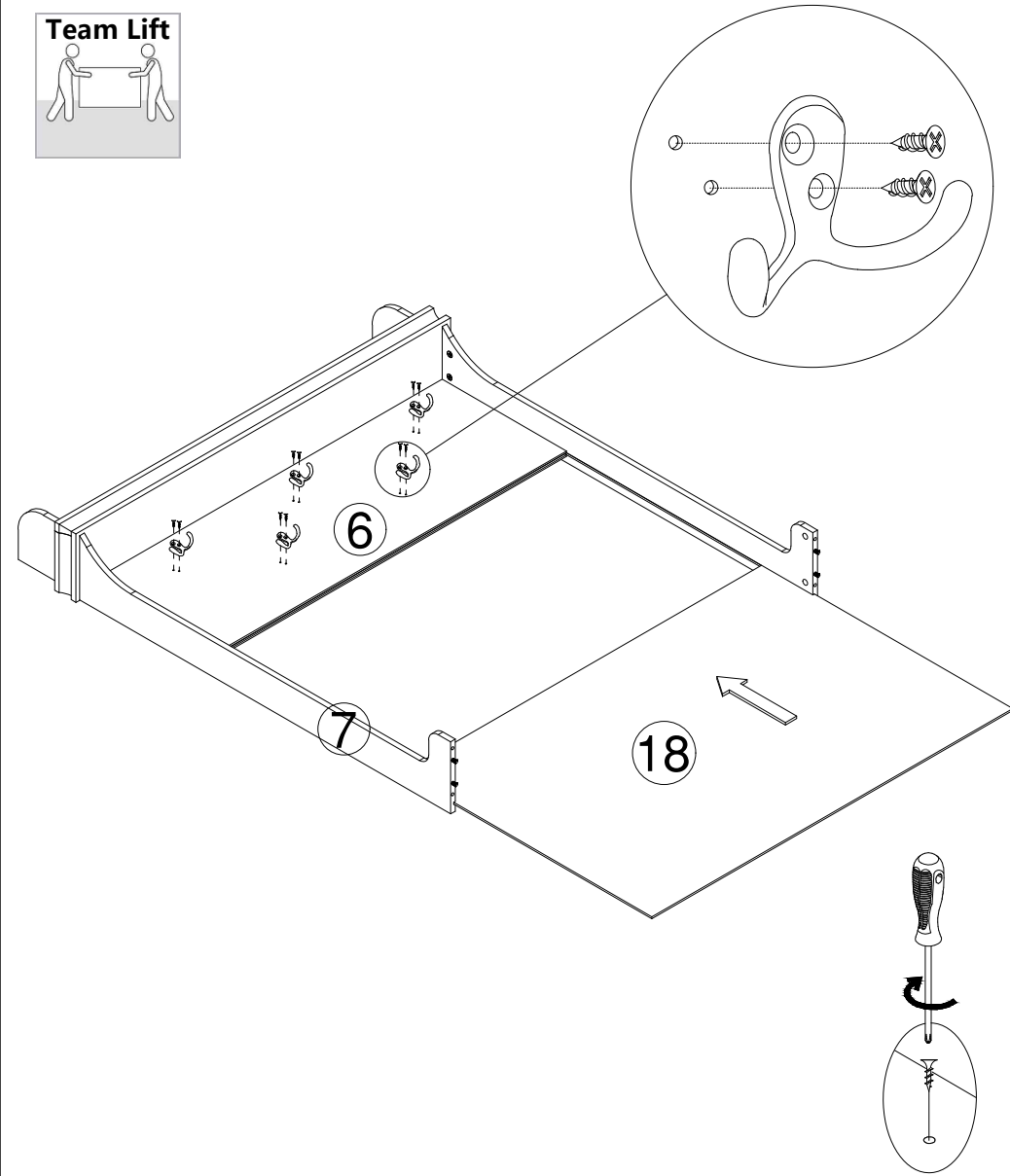
- | | | |
|----------|---|--------|
| B |  | [x4] |
|----------|---|--------|

10



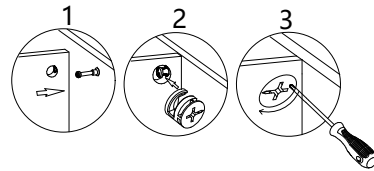
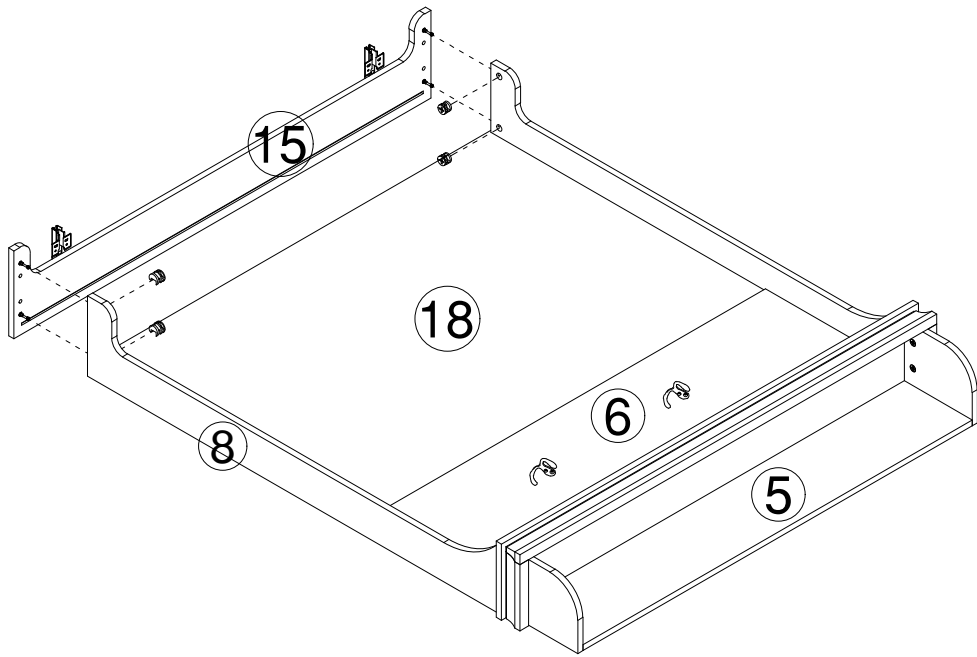
- A  [×8]
- C  [×10]

7



- J  [×5]
- K  [×10]

8

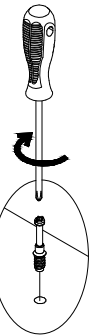
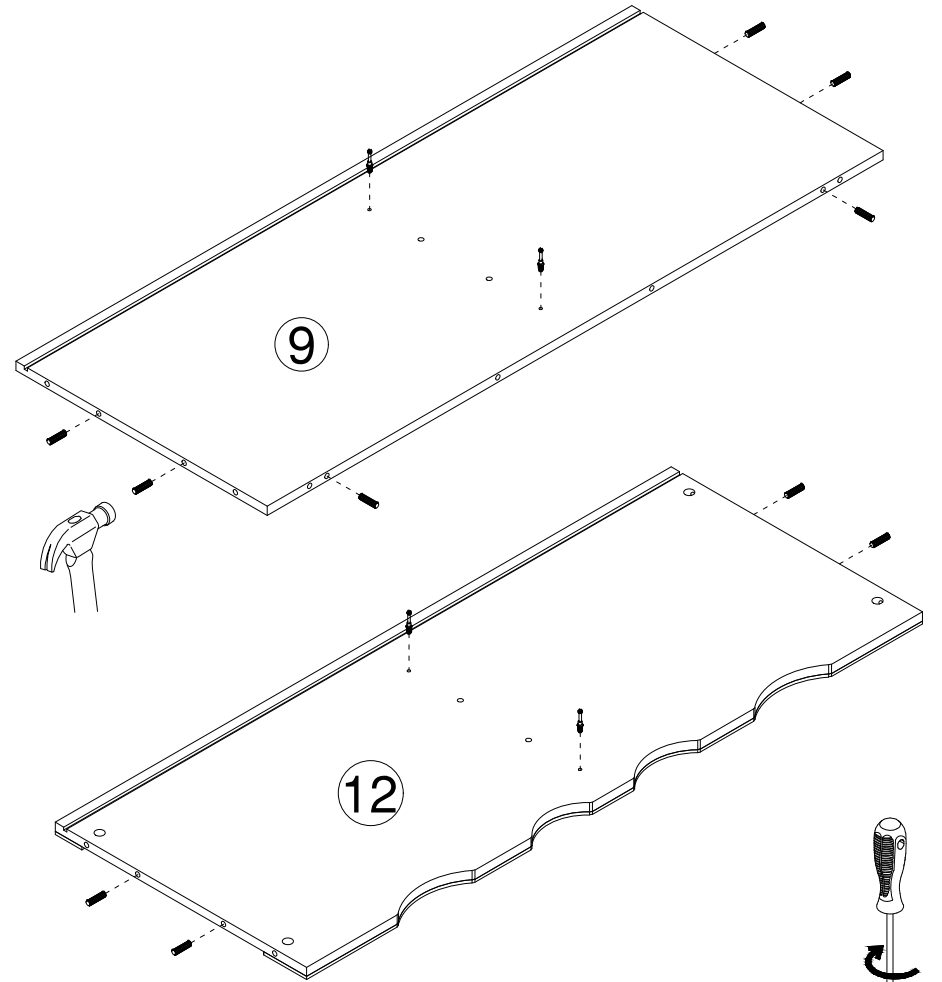


B

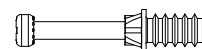


[x4]

9



A



[x4]

C



[x10]