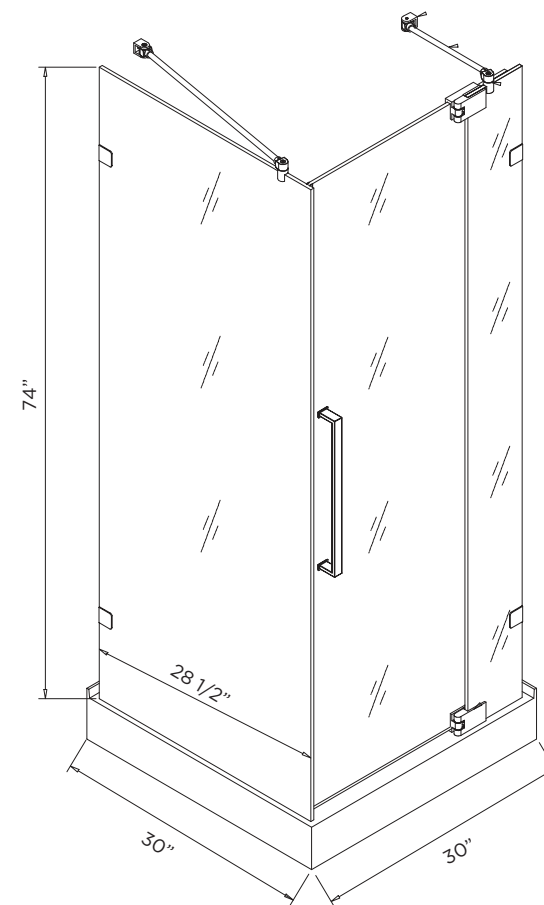
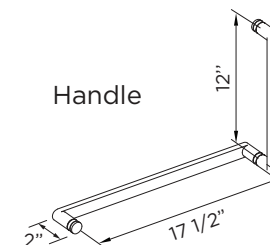
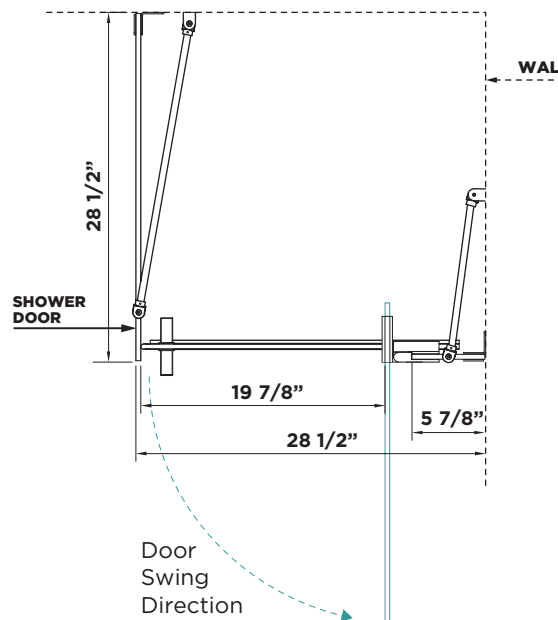
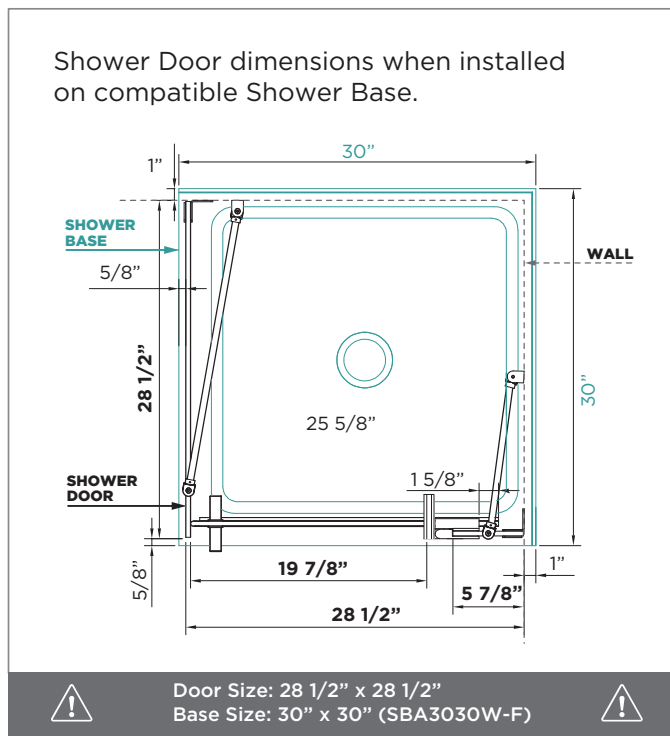


**SPECIFICATIONS / TECHNICAL DATA**

# SHOWER ENCLOSURE

## ADJUSTABLE HINGED FRAMELESS

**28.5" x 28.5"**



**ATTENTION!** Dimensions may vary by up to 3/8". It is highly recommended to pull all dimensions of actual model for installation and measuring purposes.

**MODEL# SDK30**