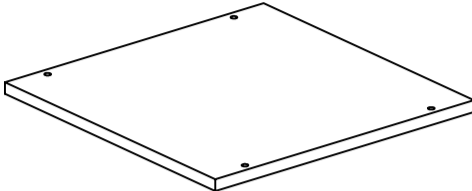
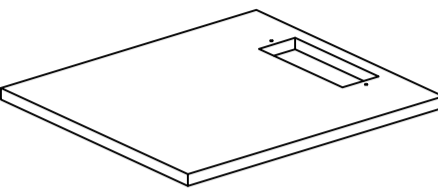
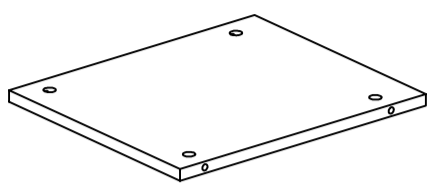
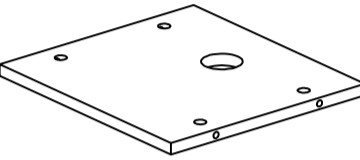
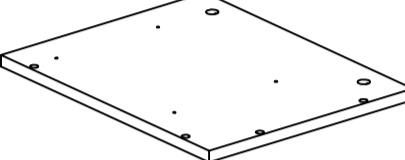
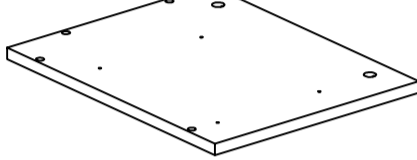
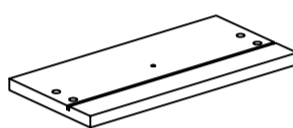
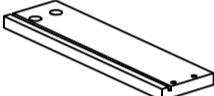


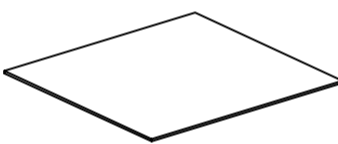
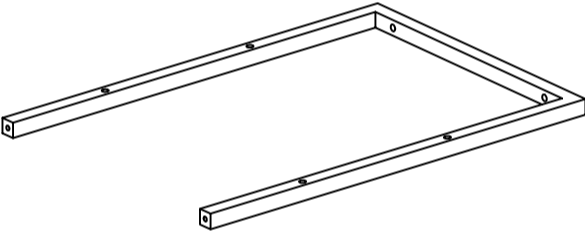
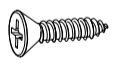
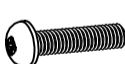
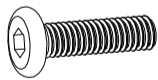


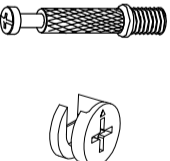
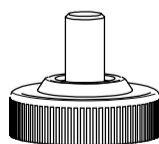
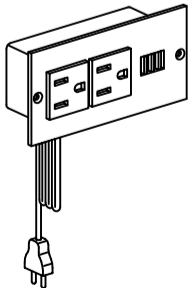
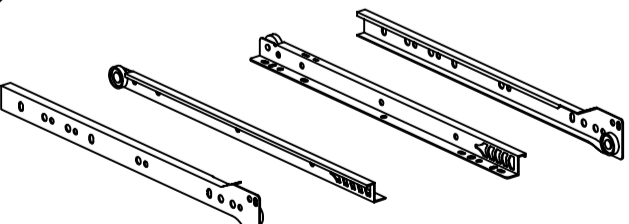
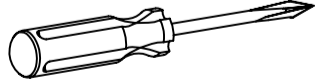

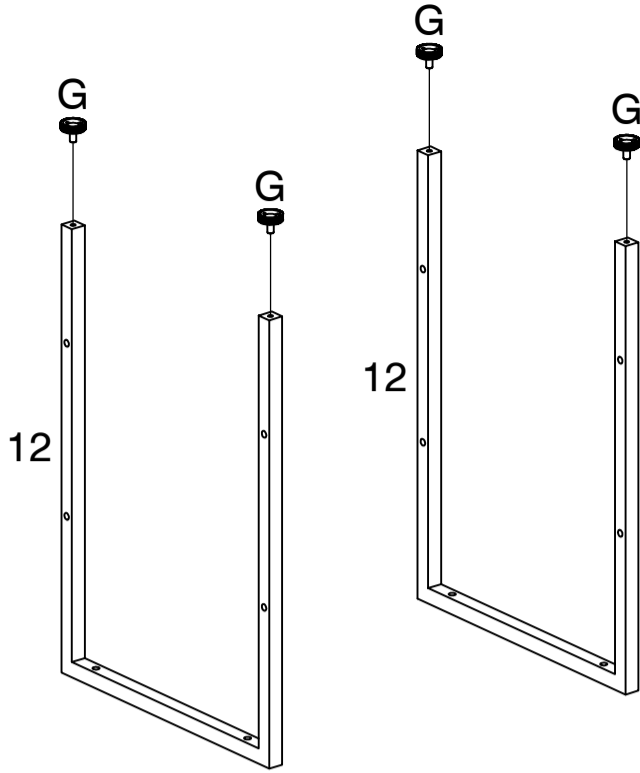


Assembling Instruction

Attention: Do not tighten the screws until all of them are in right positions

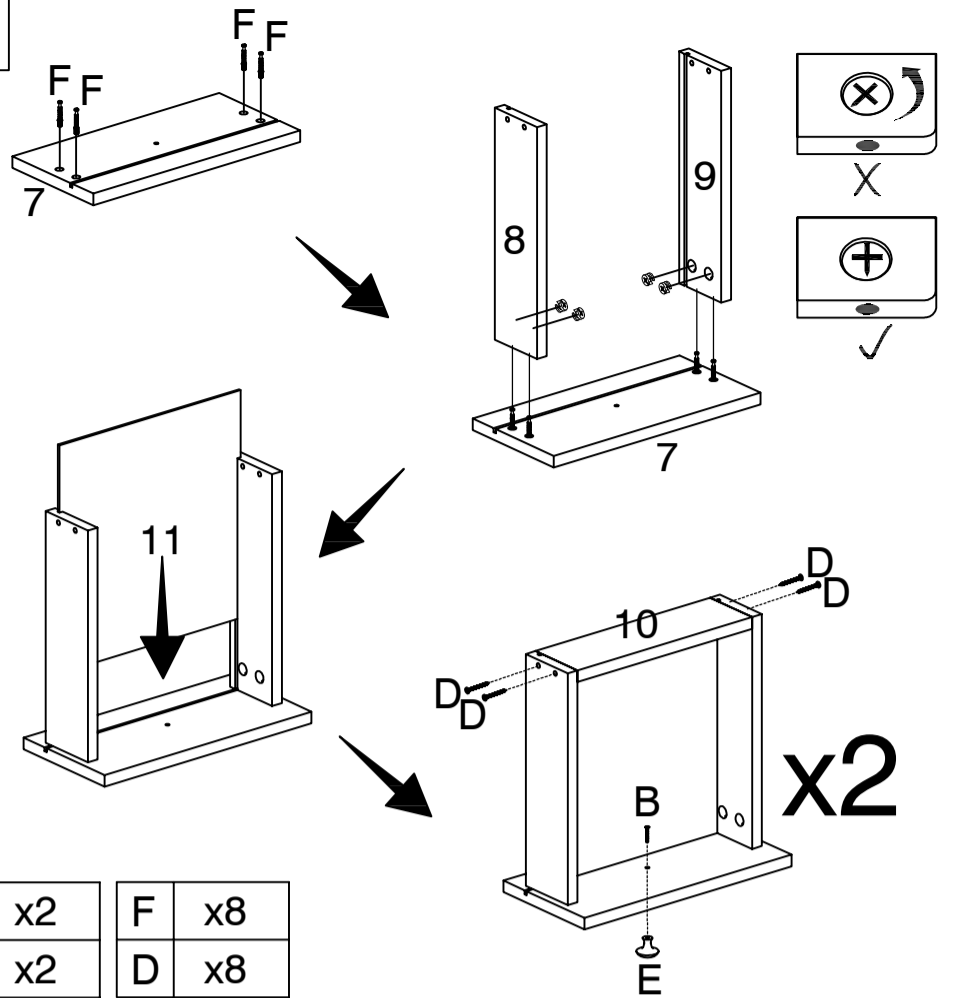
1  x1	2  x1	3  x1			
4  x1	5  x1	6  x1			
7  x2	8  x2	9  x2			
10  x2	11  x2	12  x2			
A  M4x14 x18	B  M4x19 x2	C  M6x30 x12	D  M4x35 x8	E  x2	F  x20
G  M6 x4	H  x1	I  x2			

1



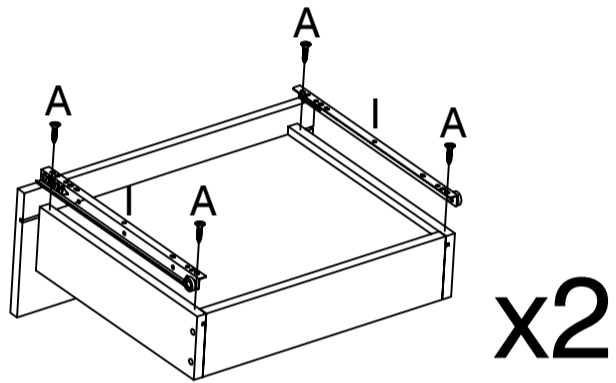
G	x4
---	----

2



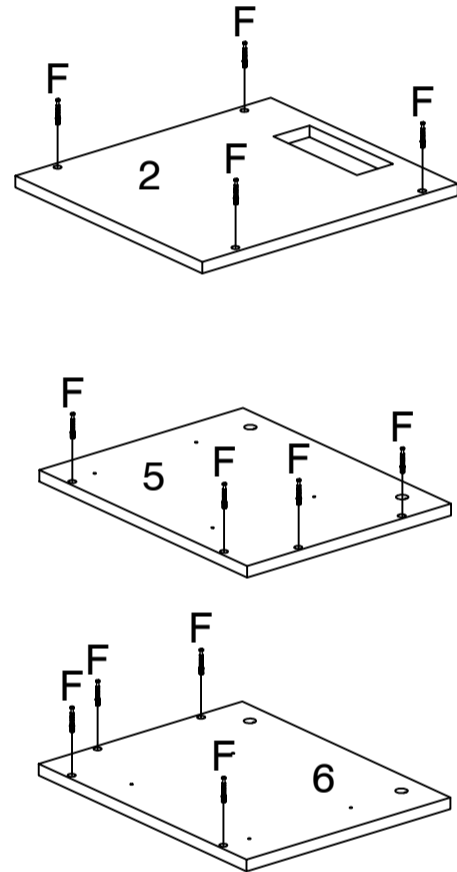
B	x2	F	x8
E	x2	D	x8

3



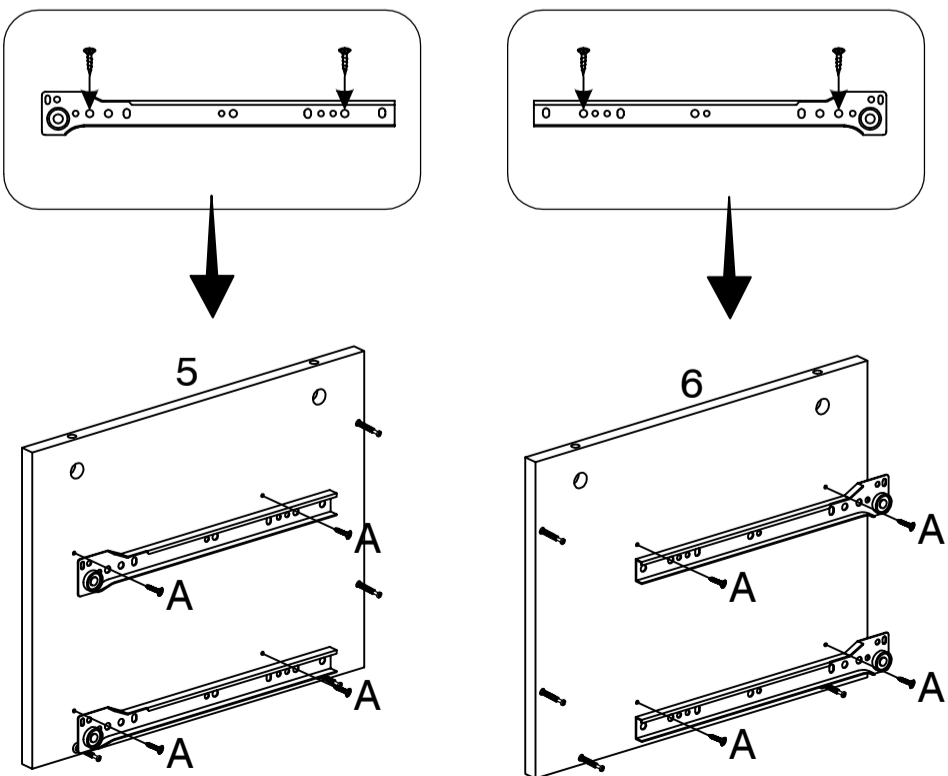
A	x8
I	x2

4



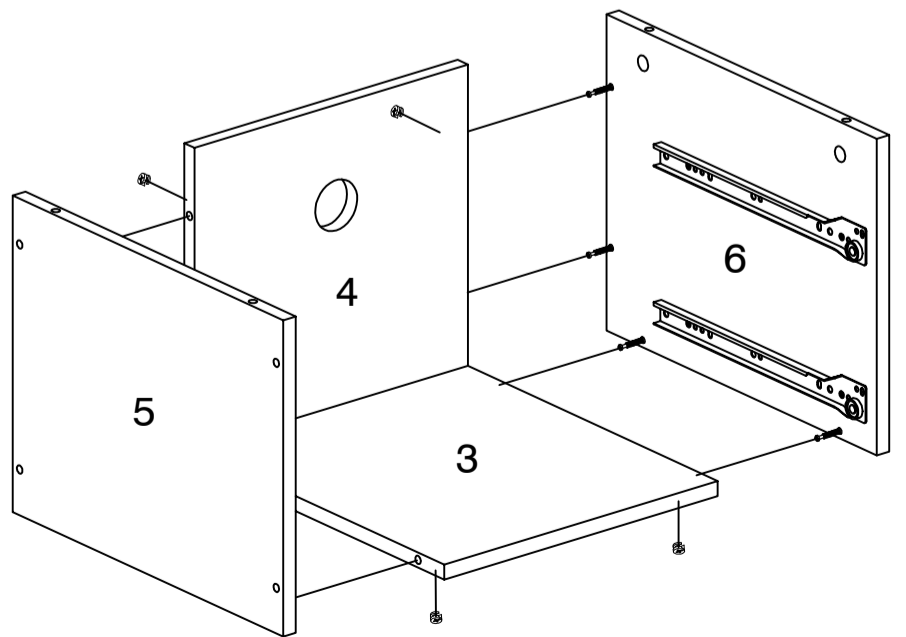
F	x12
---	-----

5

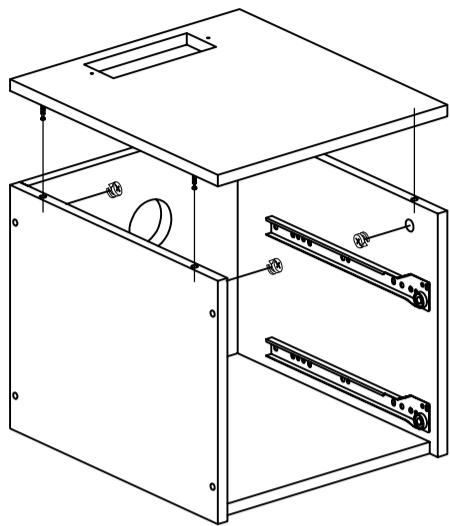


A	x8
---	----

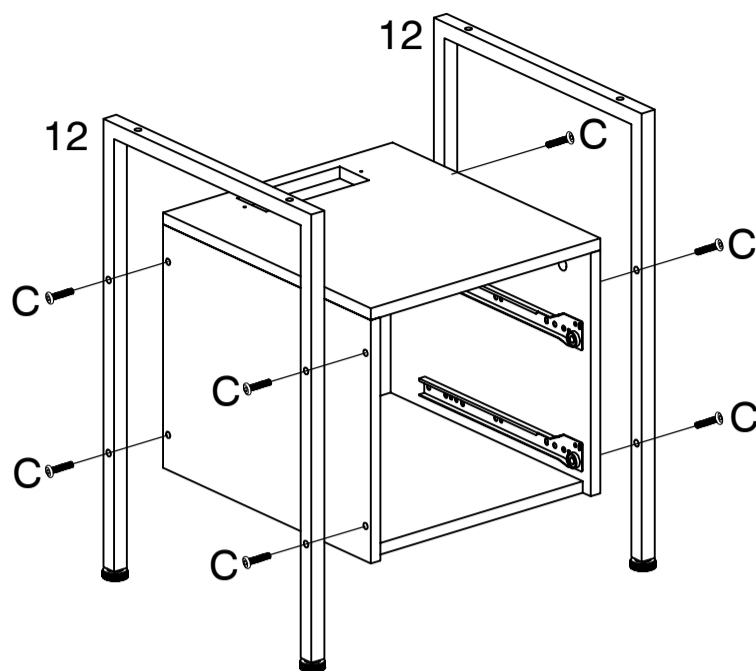
6



7

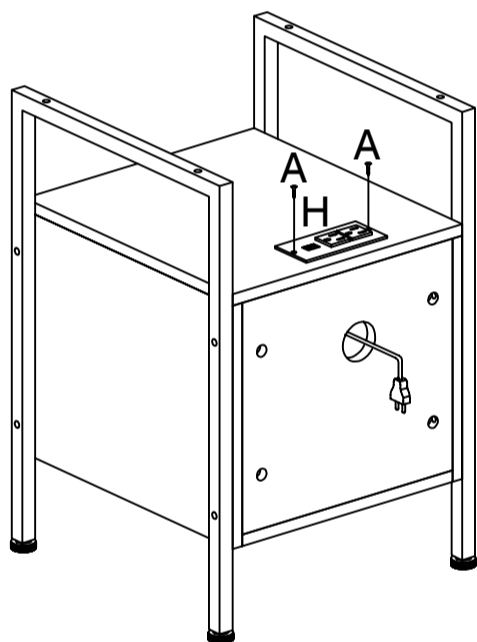


8



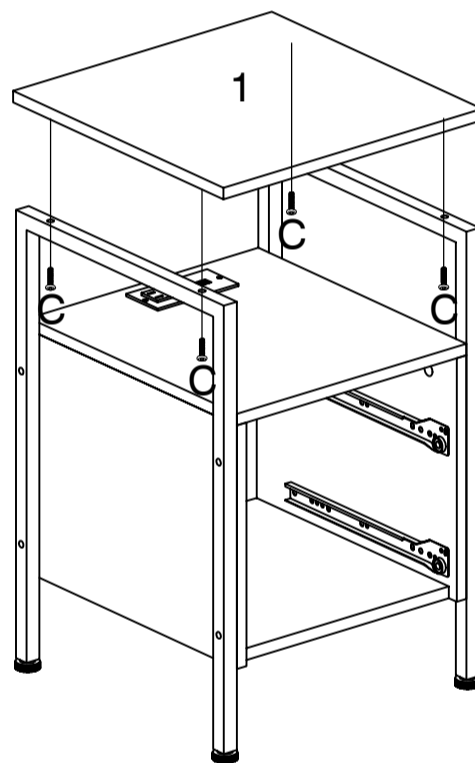
C x8

9



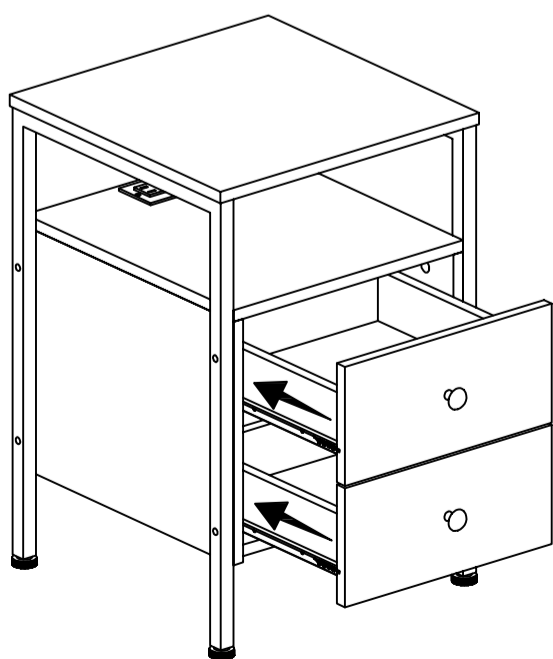
A	x2
H	x1

10



C x4

11



12

