










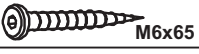
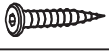
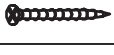
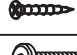
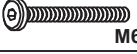

## CARE AND MAINTENANCE

Store outdoor furniture indoors or cover well when it is not in use. Dust regularly with small brush or vacuum. Spills should be taken care of immediately before they harden or stain with a slightly dampened sponge.

## NOTICE

Please make sure that you have all parts indicated before you begin assembly of this item.

### Part List and Hardware List

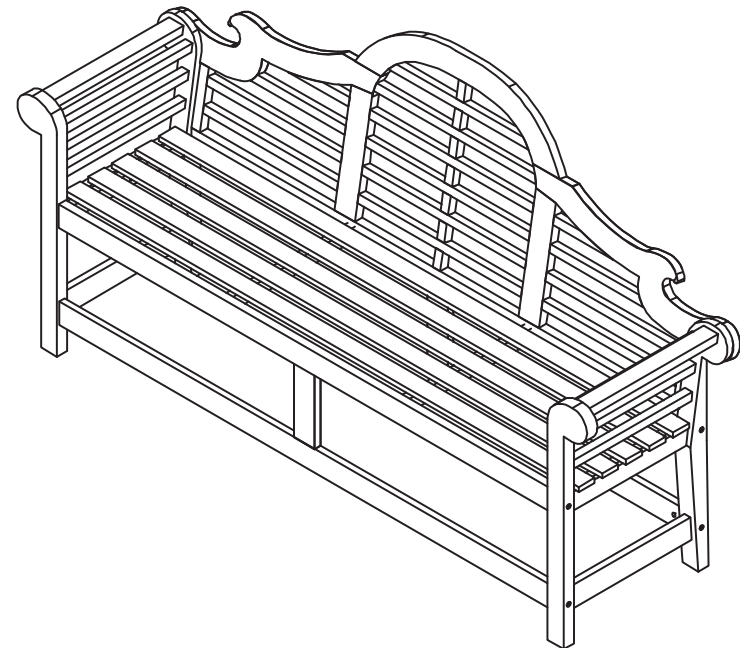
PIECE	DESCRIPTION	PICTURE	QUANTITY
A	Back		1 x
B	Support		2 x
C	Long bar		2 x
D	Left Side		1 x
E	Right Side		1 x
F	Front part		1 x
G	Seat Part		1 x
H1	Bolt L	 M6x100	8 x
H2	Bolt S	 M6x70	2 x
H3	Allen Screw L	 M6x65	2 x
H4	Allen Screw S	 M6x45	4 x
H5	Screw L	 M4x35	2 x
H6	Screw S	 M4x15	4 x
H7	Bolt extra	 M6x50	1 x
H8	Allenkey		1 x

Product Dimension: 76.77"W x 23.23"D x 40.55"H

Weight capacity : 600 lbs.

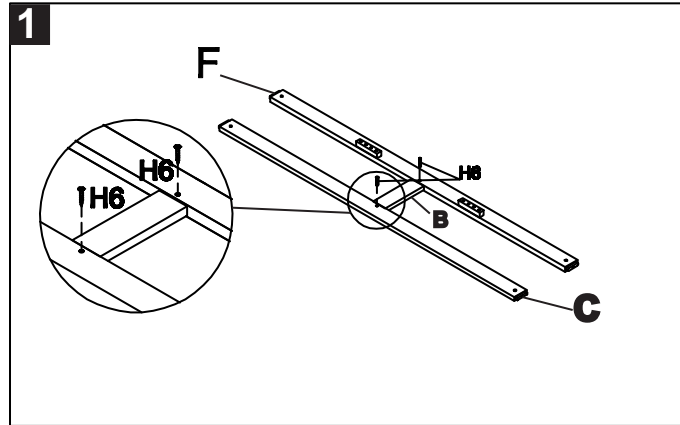
Warning : Do not stand on the bench

Warning : Do not torque bolts / screws

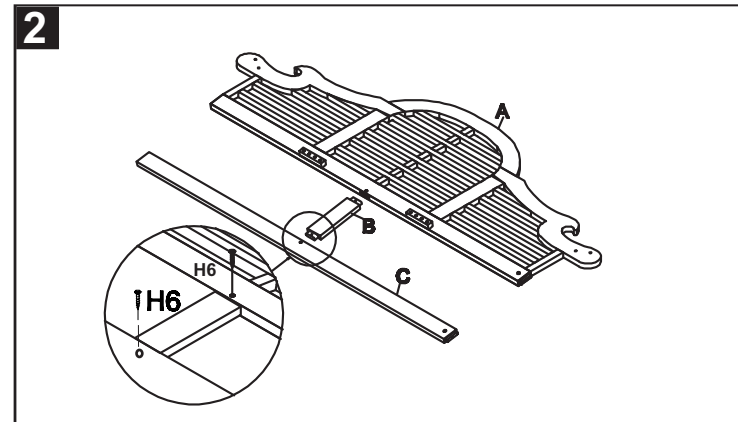


# PREPARATION

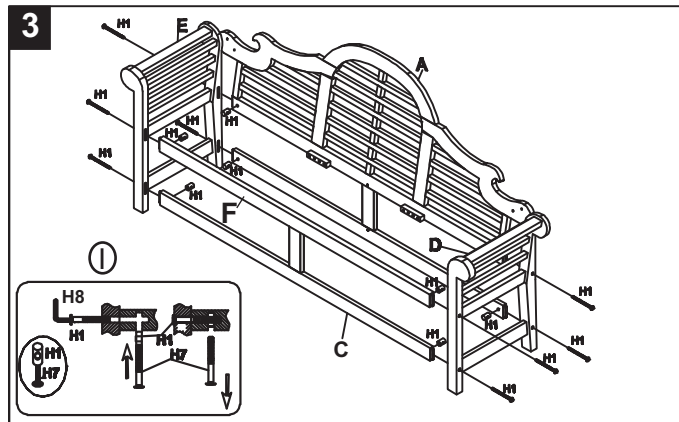
Before beginning the assembly of the product, make sure all parts are present. Compare the parts with the package contents list and hardware contents list. If any parts are missing or damaged, do not attempt to assemble the product. Tool required for assembly (included): Allen Key.



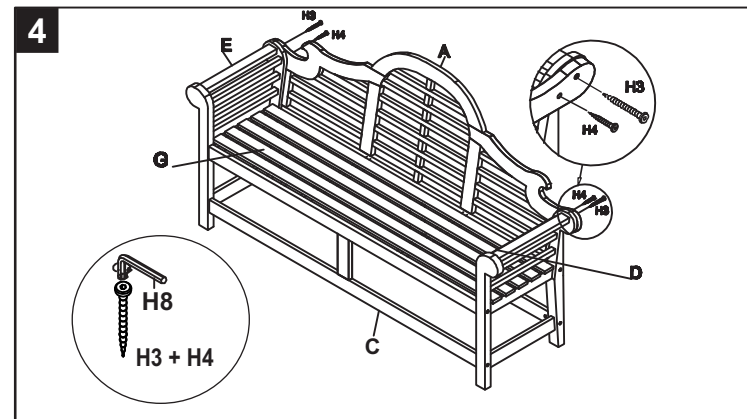
Step 1 : attach support (B) to front (F) and long bar (C).Using screw S (H6) and tighten with the screwdriver as shown on the picture.



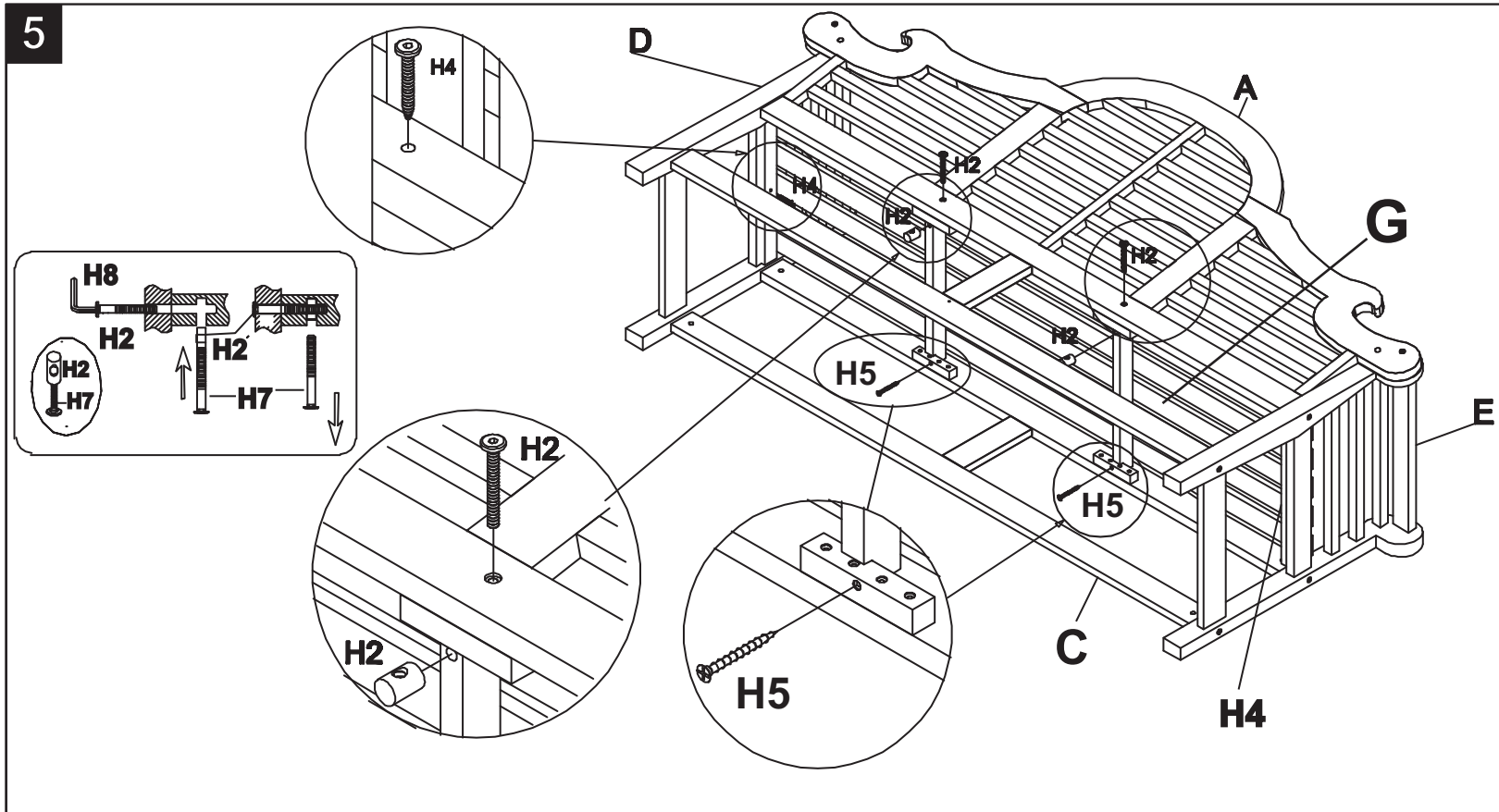
Step 2 : attach support (B) to long bar (C).Then attach it to the back (A) as shown on the picture . Using screw S (H6) and tighten with the screwdriver.



Step 3 : attach the left side (D) and the right side (E) to the back (A) and front part (F) by using the bolt L (H1). Tighten with the Allen Key (H8) as shown on the picture(I).



Step 4 : tighten back (A) with Allen Screw S (H4) and Allen screw L (H3) as shown on picture. Tighten with the Allen key (H8). Put the seat (G) to the bench.



Step 5 : tighten seat (G) with bolt S (H2) and screw L (H5) as shown on the picture.  
Tighten Allen screw S (H4) under the seat (G) with the Allen Key (H8).  
Tighten screw L (H5) by using the screwdriver.