

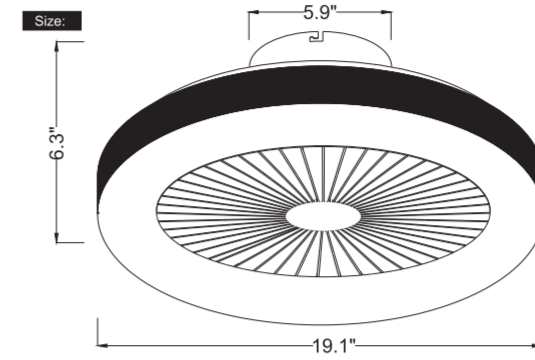
A4 双面 对折

APP button function description:

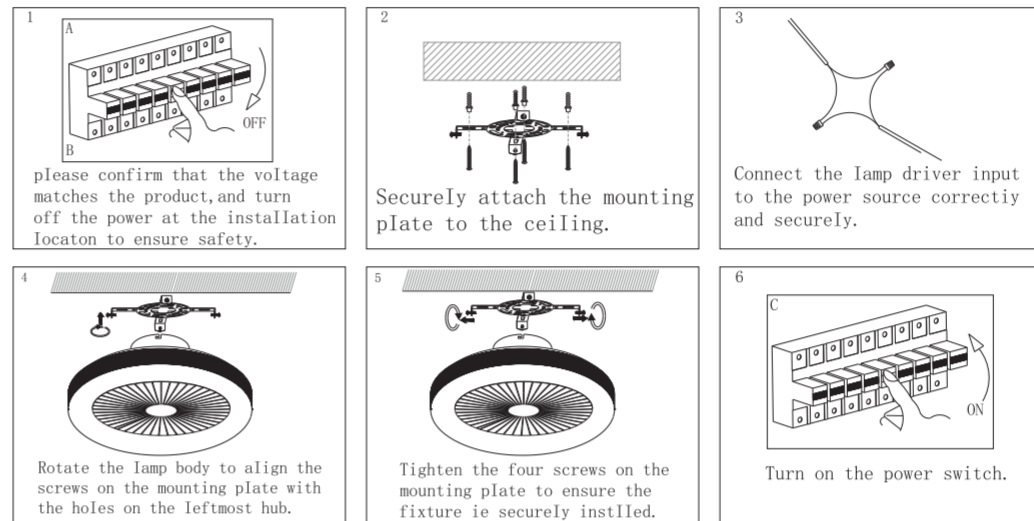
- Code matching button (click this button within 5 seconds of turning on the light, such as the light source flashing or the buzzer "di", it proves that the pairing code is successful; if the pairing code fails, repeat this operation).
- After clicking, you can choose a time to turn off the device regularly.
- After clicking, the wind blown by the fan is like the wind in nature.
- The wind blown by the fan after clicking is suitable for sleep.
- After clicking, the fan will rotate in the reverse direction.
- Click to change the direction of the wind.
- After clicking, the fan will rotate forward.
- After clicking, the white light and yellow light will light up at the same time, but the brightness is only 10% of the maximum brightness.
- After clicking, the white light and yellow light will light up at the same time, and the brightness is the maximum brightness.
- After clicking, only the yellow light will light up, and the brightness is the maximum brightness.
- After clicking, only the white light will light up, and the brightness is the maximum brightness.

WY-48496

—User Manual



Installation instructions:



Precautions:

Do not disassemble and modify the goods by yourself to avoid electric shock.
Do not use the product in high temperature, high humidity or outdoor places.
Please clean the lamps with a dry soft cloth, and do not wipe the lamps with corrosive detergent.
Do not use multiple electrical appliances in the same socket at the same time to avoid short circuit or fire.
During cleaning and maintenance, the operating instructions and precautions should be followed to avoid the danger of electricity.
Pay attention to the condition of ceiling fan lights at any time. If there is any malfunction, stop using them immediately and contact the maintenance station designated by the manufacturer for maintenance. Do not replace parts or disassemble and repair them by yourself and pay attention to regular maintenance to ensure safe use.

Please immediately turn off the power supply and stop using it in the following situations:
When the main lamp is wet or comes into contact with liquid/rain.
When the main lamp falls and is damaged.
Smoke, sparks, etc. occur in the ontology lamps.
LED light source flashes abnormally or is damaged.

Packaging accessories:

Fan lamp body*1
Instructions (assembly instructions)
Remote control
Parts package

Warning:

This appliance is not intended to be used by users (including children) with insufficient physiology, awareness mental ability, experience or knowledge, unless it is safely used under the supervision or guidance of those responsible for the safety of women and children, electrical appliances.
This appliance should be installed with fan lights according to the instructions, and adhesive is not allowed.
When installing electrical appliances, the fan blades should be more than 2.3m above the ground (for electric fans installed at high places).

2.4G DC Fan Lamp Controller Specifications (2.4G CW+5VRGB Phantom)

Product Introduction:

This product uses 2.4G wireless digital remote control technology, remote control one-to-one control, simple and convenient operation, strong anti-interference ability.

Technical Parameters:

Model: 2.4G AC fan light controller

Wall switch sequence:

full light/white light/yellow light

Input voltage:

AC100V – 130V 50/60Hz

Output voltage: DC70 – 110V

LED output power: 25–36W

RGB output power: 5V RGB<100 pieces

Motor rated power: <25W

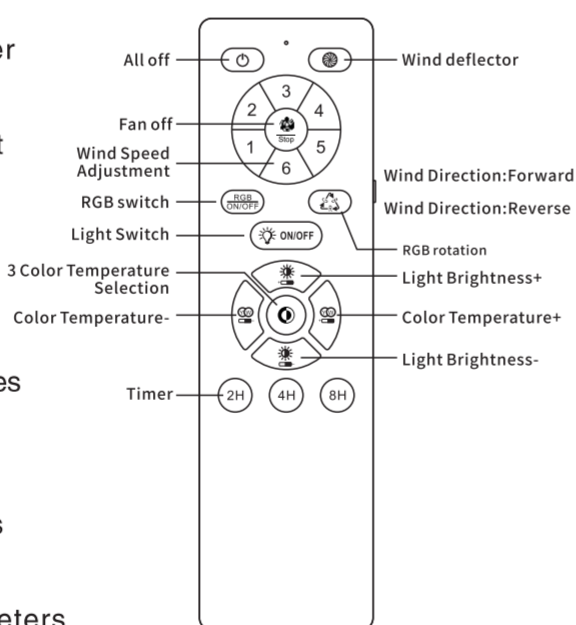
Wind speed: 1 – 6 gears

Timing: 2 hours / 4 hours / 8 hours

Receiving method: RF2.4G

Remote control distance: 8–20 meters

Remote control battery: No. 7 1.5V X2



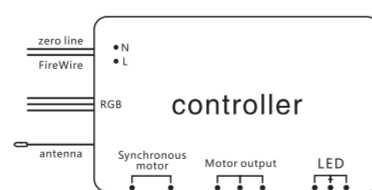
Remote control matching code:

Turn on the power and Press and hold the light pairing key within 5 seconds of the light on. When you hear a beep or a light flashes, the code match is successful. If you need to match the code a second time, you need to wait 30 seconds before turning on the power and repeat the above operation.

CAUTION:

The electronic switch is not an isolated product and needs to be operated by professional personnel during installation.

The electronic switch is triggered by the remote control, and the wireless frequency of the remote control transmitter is 2.4GHz.



APP operation



- Download the APP scan the QR code → open the browser → select the version to download
- Open the APP → select a room → Click on (+) → select "fan light" → enter the equipment name (such as fan light) → OK

- Click on (☰) enter

1. Language (Chinese and English can be selected)
2. Scan (scan the other party's QR code to share device control)
3. My QR code (you can share it with the other party)
4. Room management (room name can be added)
5. Instructions (Choose the second interface fan light, instructions for using various symbols of the device)
6. Check for updates
7. Feedback point to enter