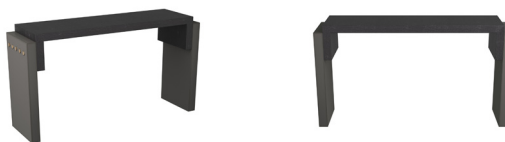
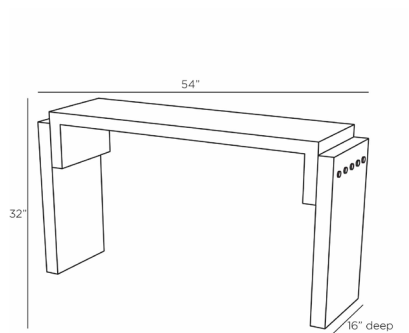


# ARTERIOS

## BERNARDO CONSOLE



FLI08

H: 32 IN, W: 54 IN, D: 16 IN

Graphite

Contract Recommendations: Adding a lacquer coating provides additional protection

The Bernardo provides a modernist sophistication to any space. Graphite leather-wrapped legs support a staggered slab top of ebony oak wood. Crafted in a pleasing mix of materials, it is punctuated at the sides with topstitching and antiqued brass buttons. Leather and wood will vary.

### APPEARANCE

Material	Leather, Oak Veneer
Finish	Graphite
Finish Will Vary	true
Top Coat/Sealant	true

### DIMENSIONS

Foot Print	W: 54 IN, D: 16 IN
Leg	H: 30 IN, W: 2.5, D: 16
Table Top	W: 49 IN, D: 16 IN
Clearance	30"
Diagonal Dimension	36 IN

### SHIPPING

Shipping Requirements	TruckShip
Product Weight	58 LBS
Gross Weight 1	128.55 LBS
Shipping Box 1	H: 41 IN, L: 60 IN, W: 62 IN

### ADDITIONAL INFO

Leg Or Foot Application	Felt
-------------------------	------

### CONTRACT

Contract Suitable	Adding a lacquer coating provides additional protection
-------------------	---