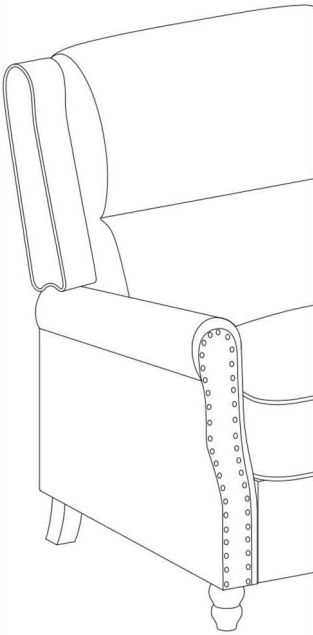


Owner Manual



WARRANTY

We strive to offer high quality product and we also try our best to satisfy each customer that order from us, no matter on products or services as needed. Each customer receives a record of their order, such as the order number or item receipt. For any items that are out of warranty period, you may still be able to purchase the replacement parts from our company if they are available.



MAINTENANCE AND WARNING

Please read the manual thoroughly
before you start installing.

Please keep the product away from
sharp object.

Packaging and small parts may have
chocking hazard, please keep them away
from children and pets.

Please clean the product according to each
clean code, check the product description
for more information.

Please keep the product away
from fire.

If you have any other questions, please
contact us, we will be glad to help you out.

If the product is placed under direct
sunlight, the pattern or color might fade
away overtime.

Check the product periodically to make
sure everything is secured and tightened.

Always use proper tools for installation.

Do not jump on the product.



Around 45 min

PRODUCT DESCRIPTION

This multifunctional lounge chair adapts to your comfort needs with an adjustable recline and footrest.

Available in breathable linen for a soft, airy feel or sleek leather for a refined, vintage aesthetic.

A generously sized backrest with dual layer support ensures relaxation, even for extended sitting sessions.

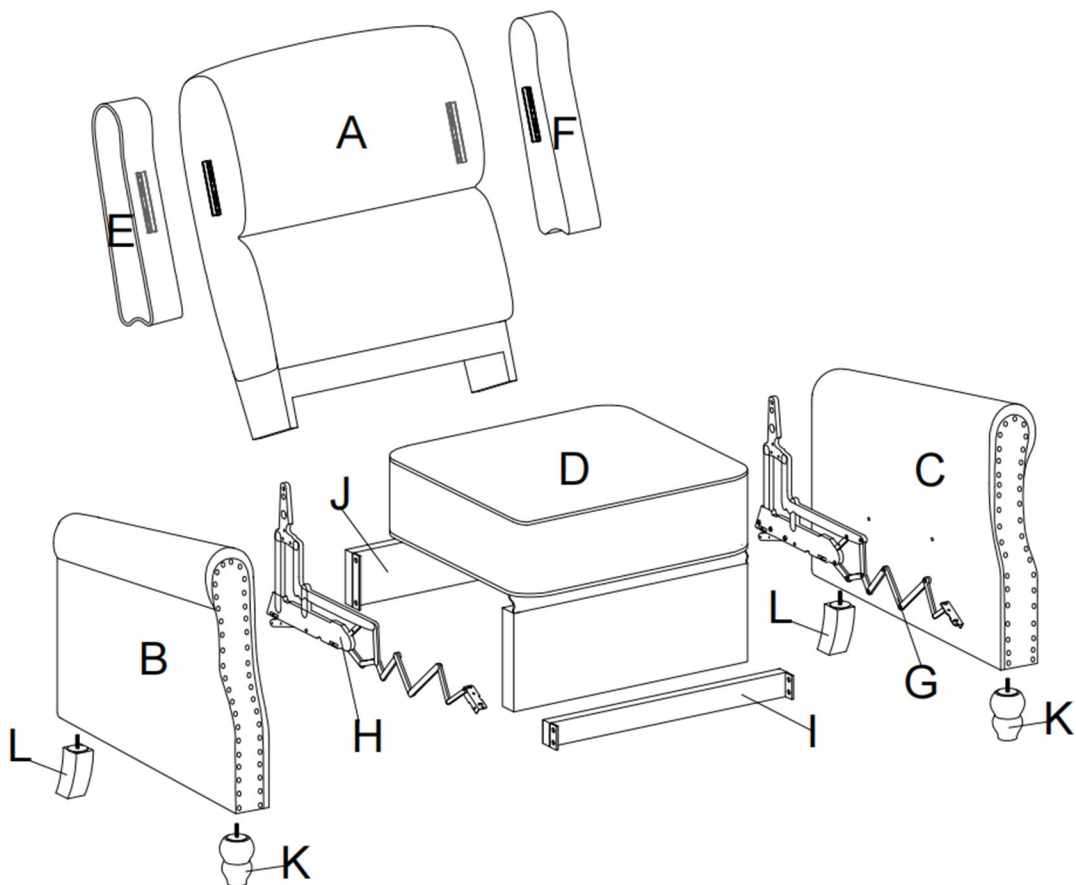
Featuring a spring pack, high density foam, and fiber filling for optimal softness and elasticity.

Crafted with a sturdy solid wood frame and legs, providing stability and long lasting durability.

EXPLODED VIEW



The product's left and right are determined by sitting posture



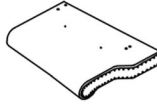
PARTS

A*1



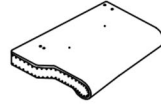
Backrest

B*1



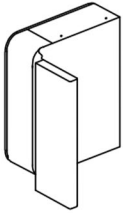
Armrest-Right

C*1



Armrest-Left

D*1



Seat frame

E*1



Right wing

F*1



Left wing

G*1



Sofa metal functional support-left

H*1



Sofa metal functional support-right

I*1



Connecting part-Front

J*1



Connecting part-Back

K*2



Wood leg -front

L*2



Wood leg -back

HARDWARE

TOOL LIST

NOTE: Designated with (★) We provide additional spare parts in the hardware package

①*1



Allen key

②*4



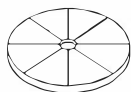
Bolt

③*12



Bolt

④*4



Plastic
washer

⑤*8



Flat washer

NOTICE:

The part of hardware (2),(3) and(5) already pre installed on the PRODUCT part.


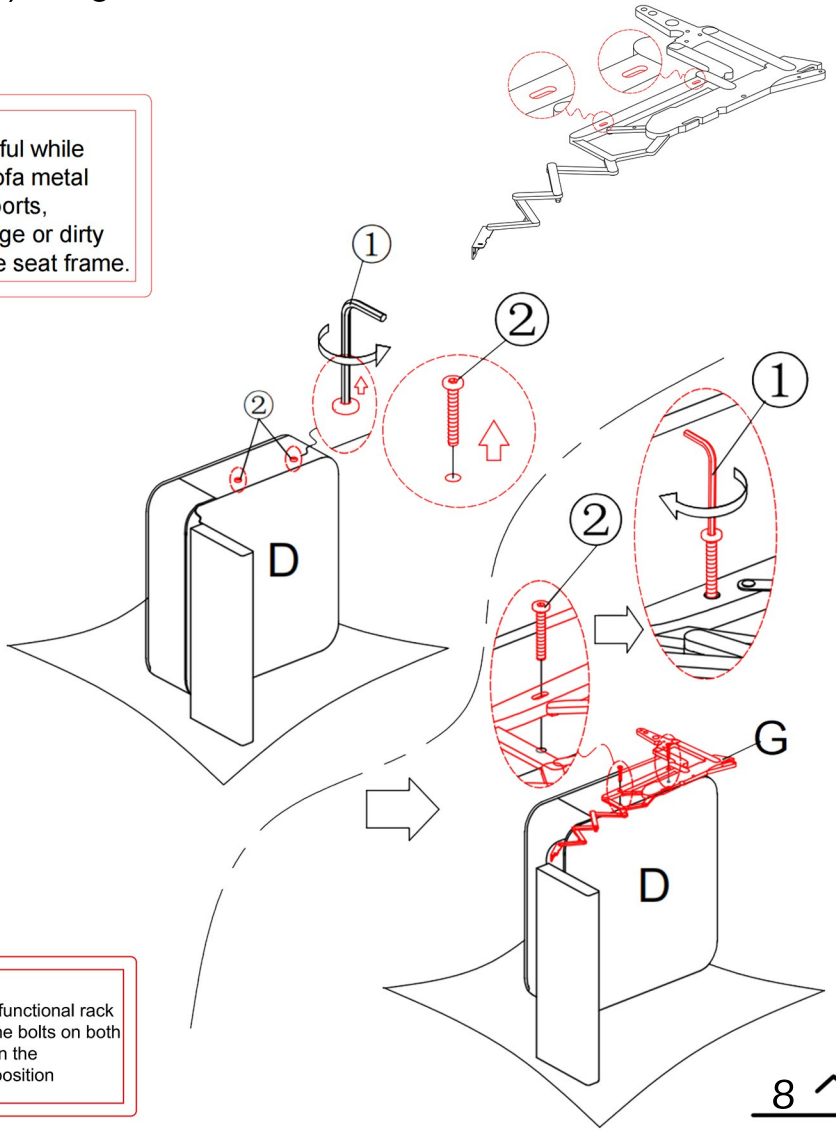
Please make sure all hardware & packing material fitting the list. Especially some small accessories may be missing during transportation. Please contact us if you have any question.

step 1

Remove the pre-drilled bolts (2) from both sides of the seat frame (D), then place the seat frame on its side on a clean surface as shown. Align the holes on the sofa metal functional supports (G) with the holes on seat frame, use the allen key (1) to tighten the bolts.



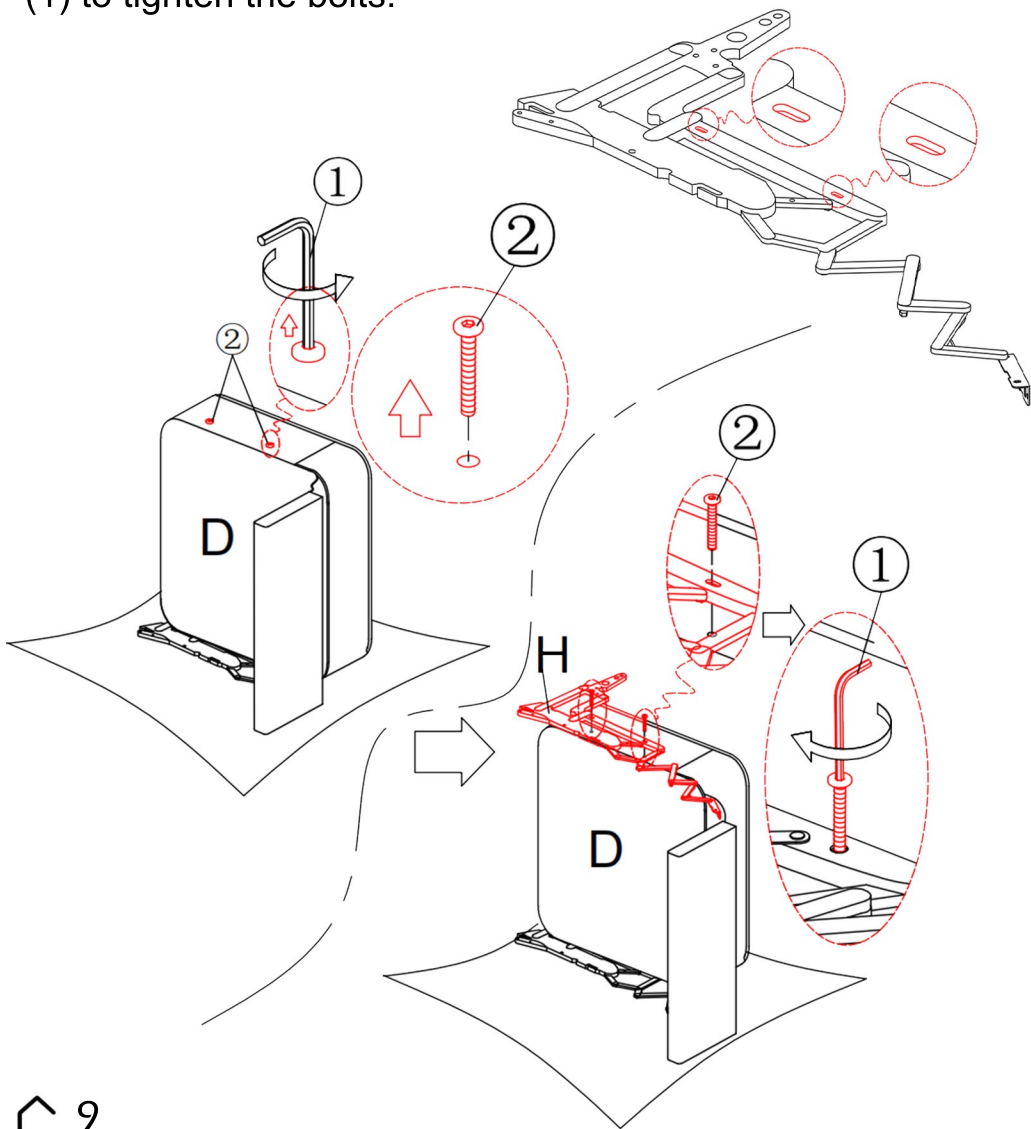
Please be careful while installing the sofa metal functional supports, DO NOT damage or dirty the fabric of the seat frame.



The bolt holes on the functional rack is long oval shaped, the bolts on both sides should be kept in the corresponding same position

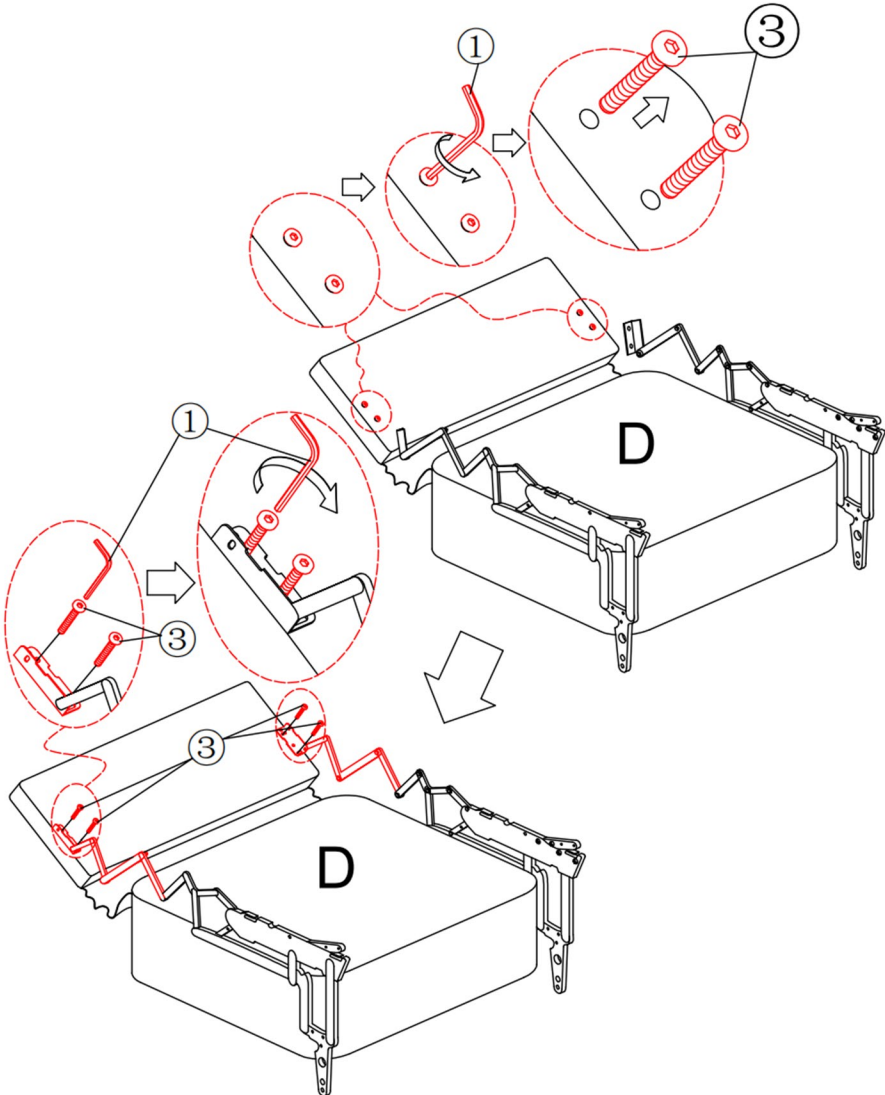
step 2

Remove the pre-drilled bolts (2) from both sides of the seat frame (D), then place the seat frame on its side on a clean surface as shown. Align the holes on the sofa metal functional supports (H) with the holes on seat frame, use the allen key (1) to tighten the bolts.



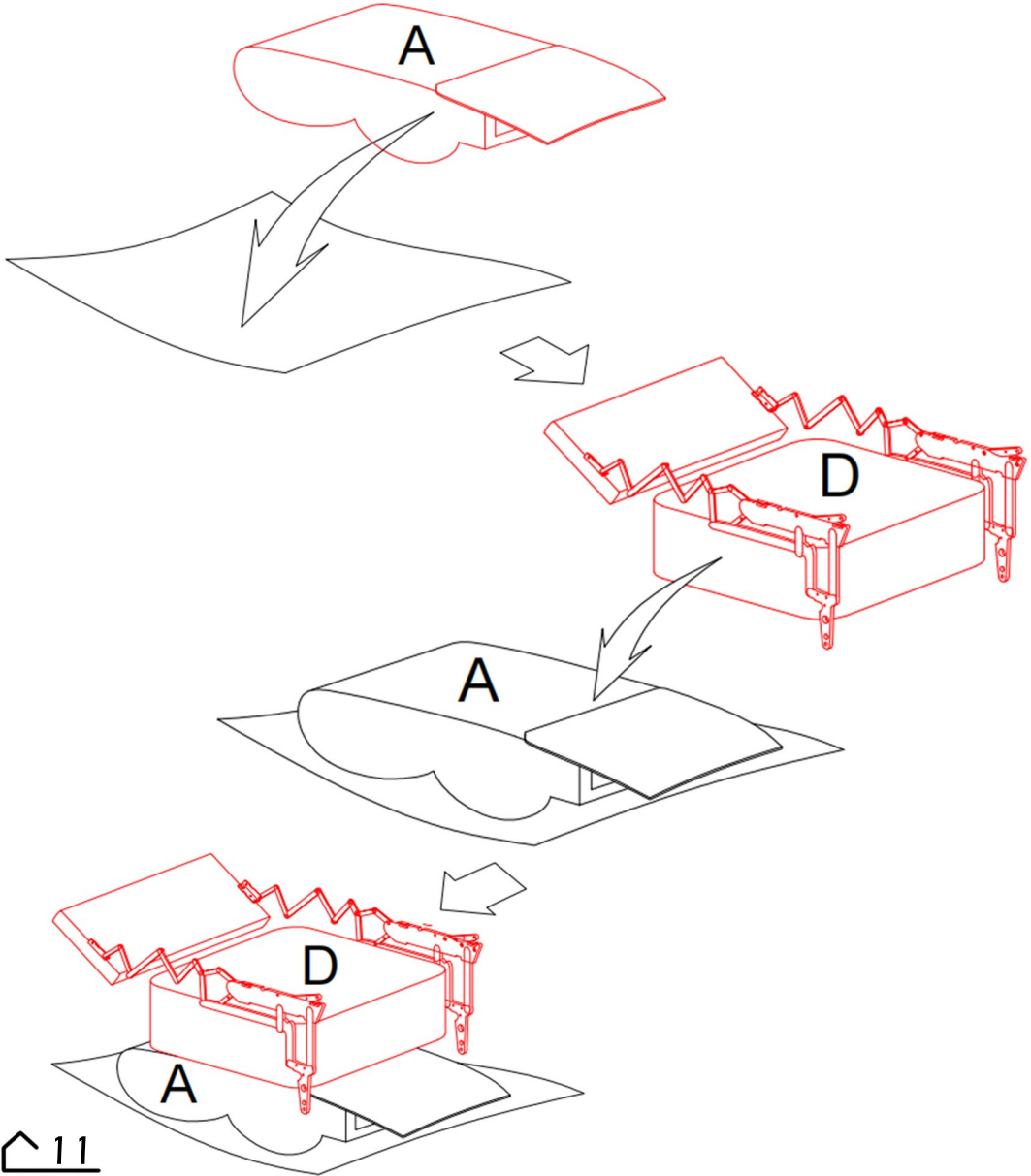
step 3

The board that connect to the seat frame is the footrest, remove the pre-installed bolts (3) from the footrest, then align the bolt holes on the footrest with the bolt holes on the extended part on the sofa metal functional supports, use the allen key (1) provided to tighten the bolts.



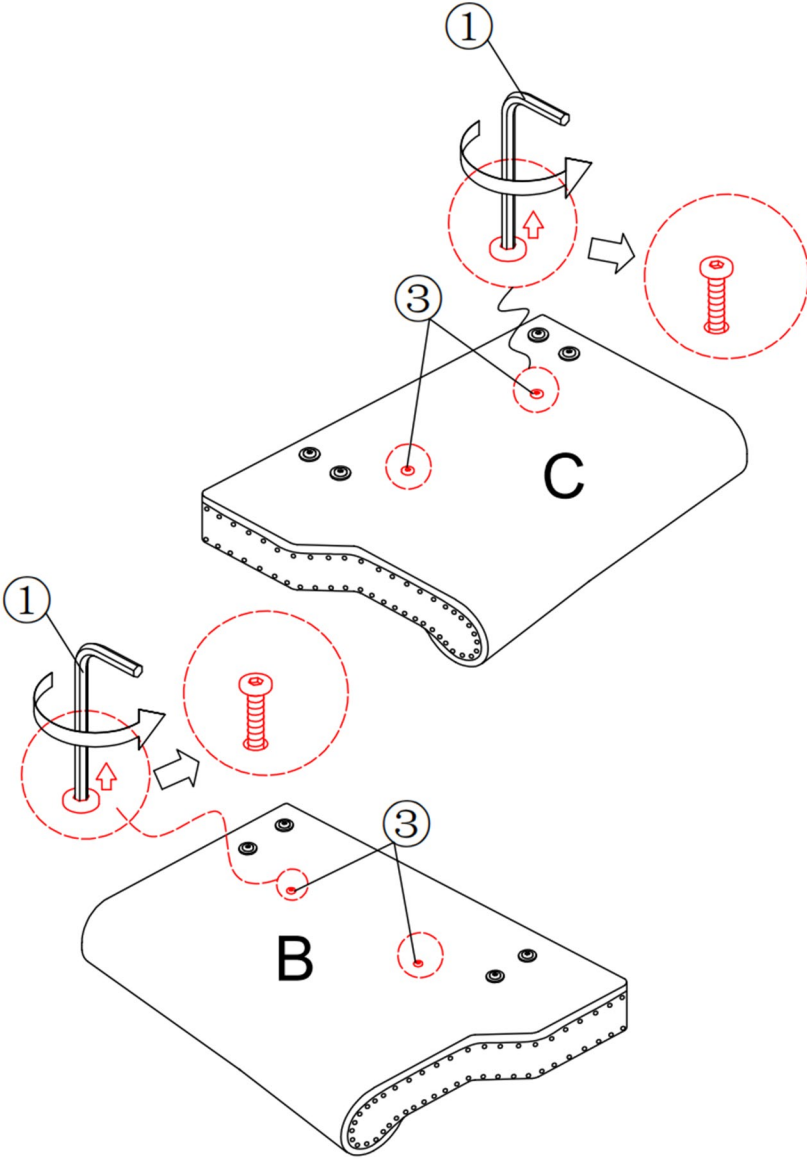
step 4

Place the backrest (A) flat on a clean surface as an elevated pad. Then place the pre-installed seat frame from the last step onto the backrest as shown in the figure.




step 5

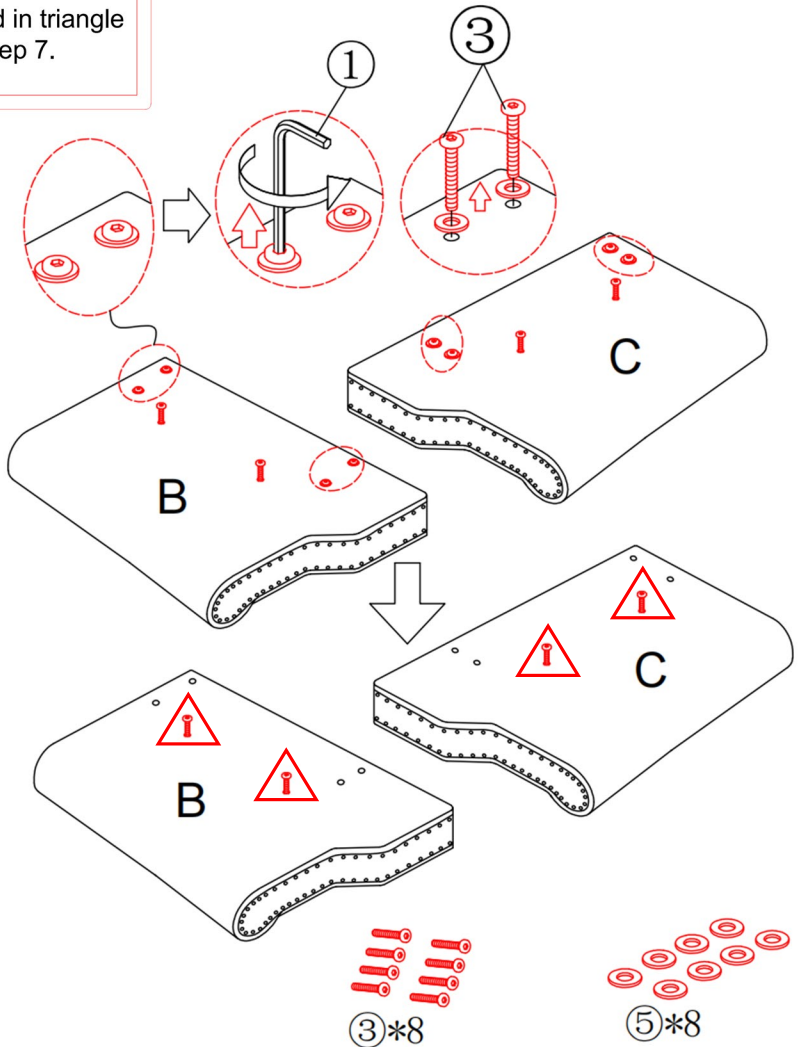
According to the diagram, unscrew the bolts at position 3 for 2/3, do not unscrew completely



step 6

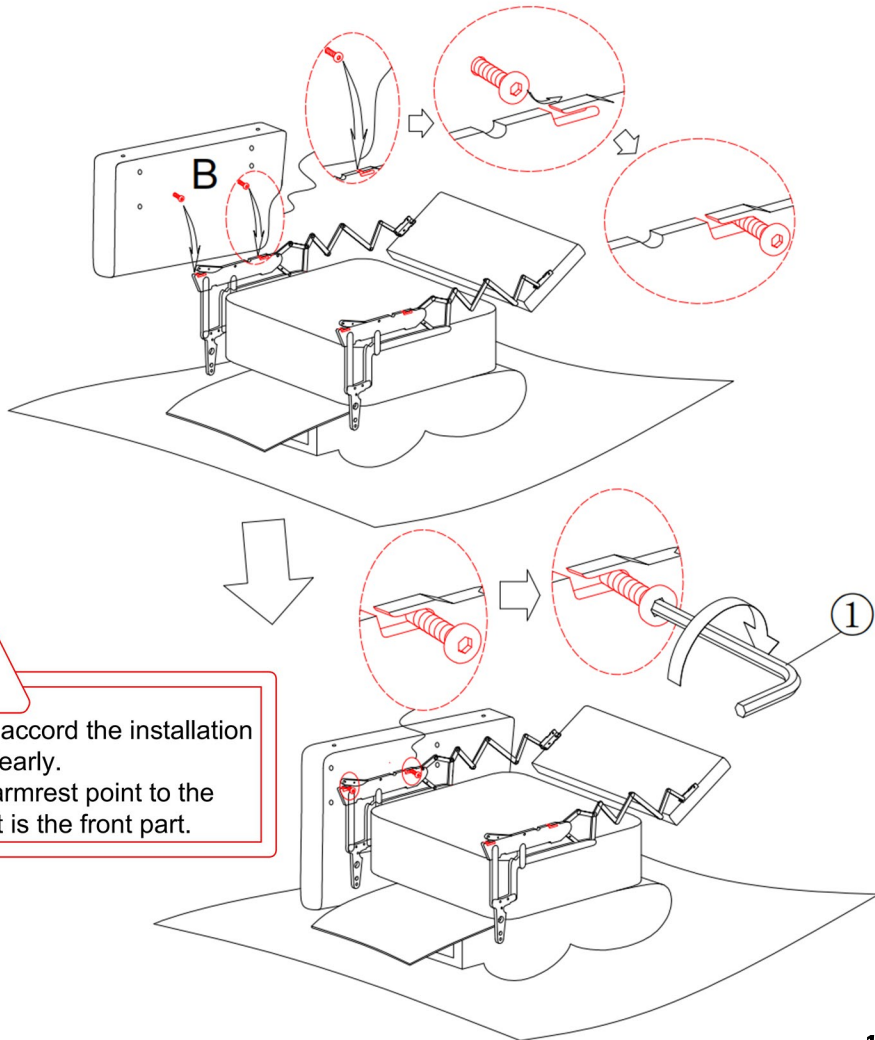
According to the diagram, use the allen key provided to unscrew the circled bolts completely, there will be 8 bolts totally. Remove the bolts and washers from parts to install the Connecting part Front and Back on Step 10.


The bolts labeled in triangle will be used in step 7.



step 7


Use the 1/3 remained screws from last step (labeled step 6) to hang the armrests (B,C) into the hold with a notch on iron frame as shown, make sure both of the bolts are correctly aligned. Use the allen key (1) provided to tighten both bolts, make sure both bolts are fully tightened before next step.



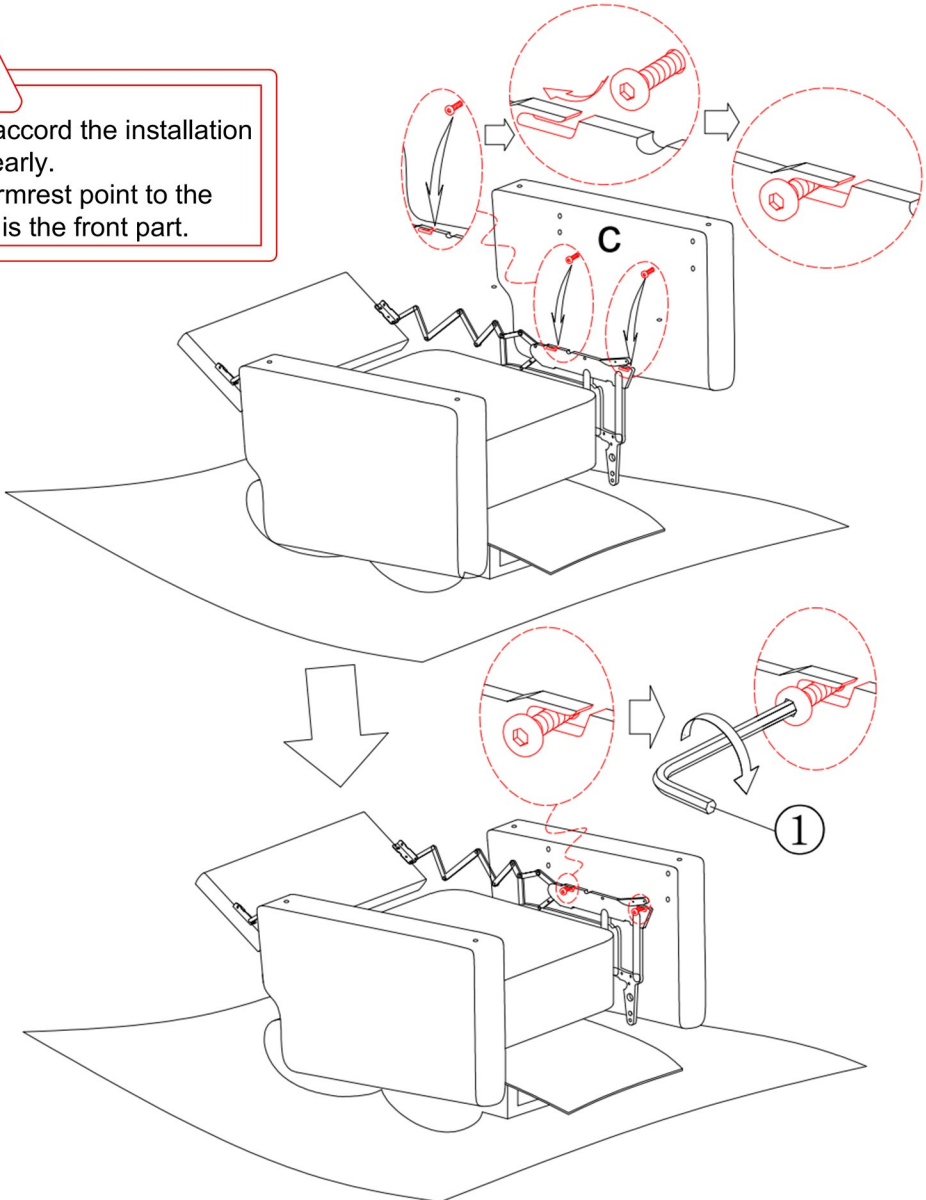
1. Place accord the installation guide clearly.
2. The armrest point to the foot rest is the front part.

step 8

Using the same method as in step 7, install the armrest on the other side.




1. Place accord the installation guide clearly.
2. The armrest point to the foot rest is the front part.

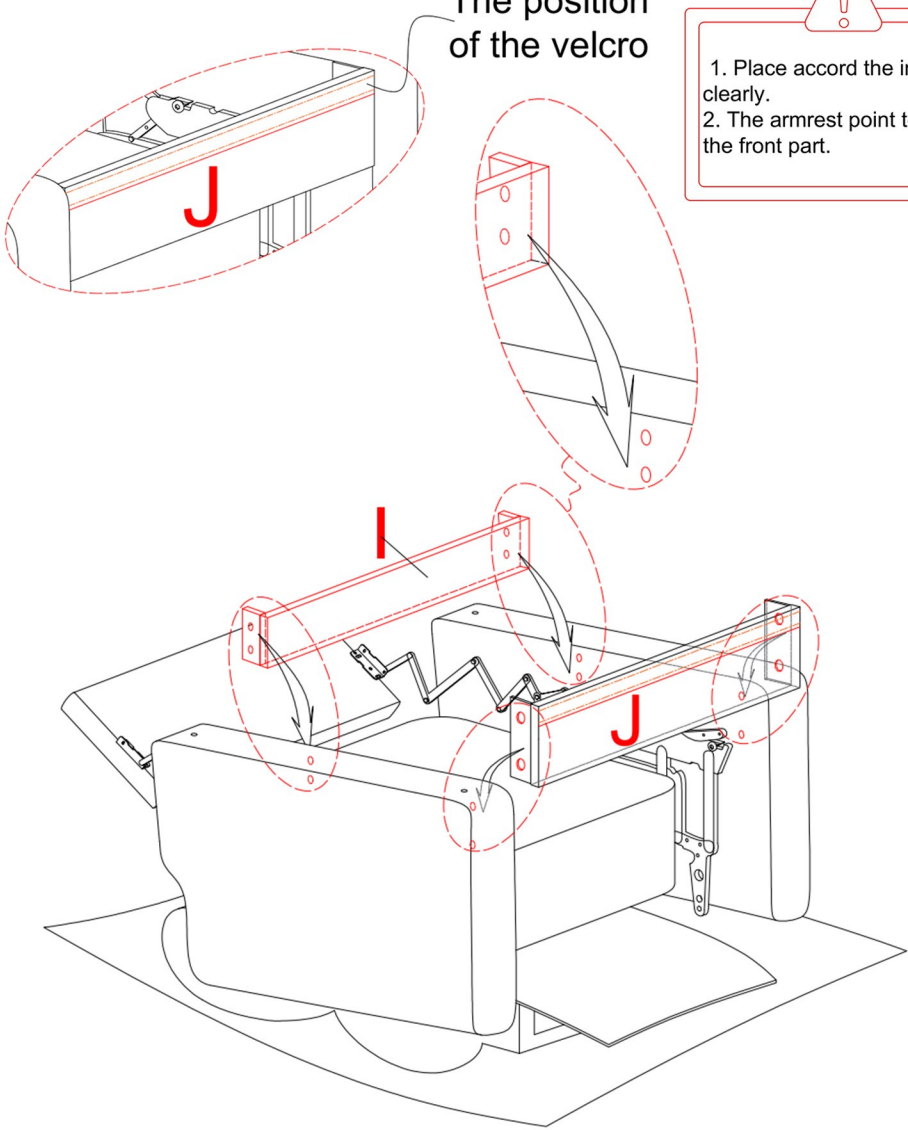


step 9

As the diagram shows, place the bolts through the bolt holes on the metal parts of the connecting part-Front, and install to the front part of the armrests. Repeat the same step for the back part of the armrests.

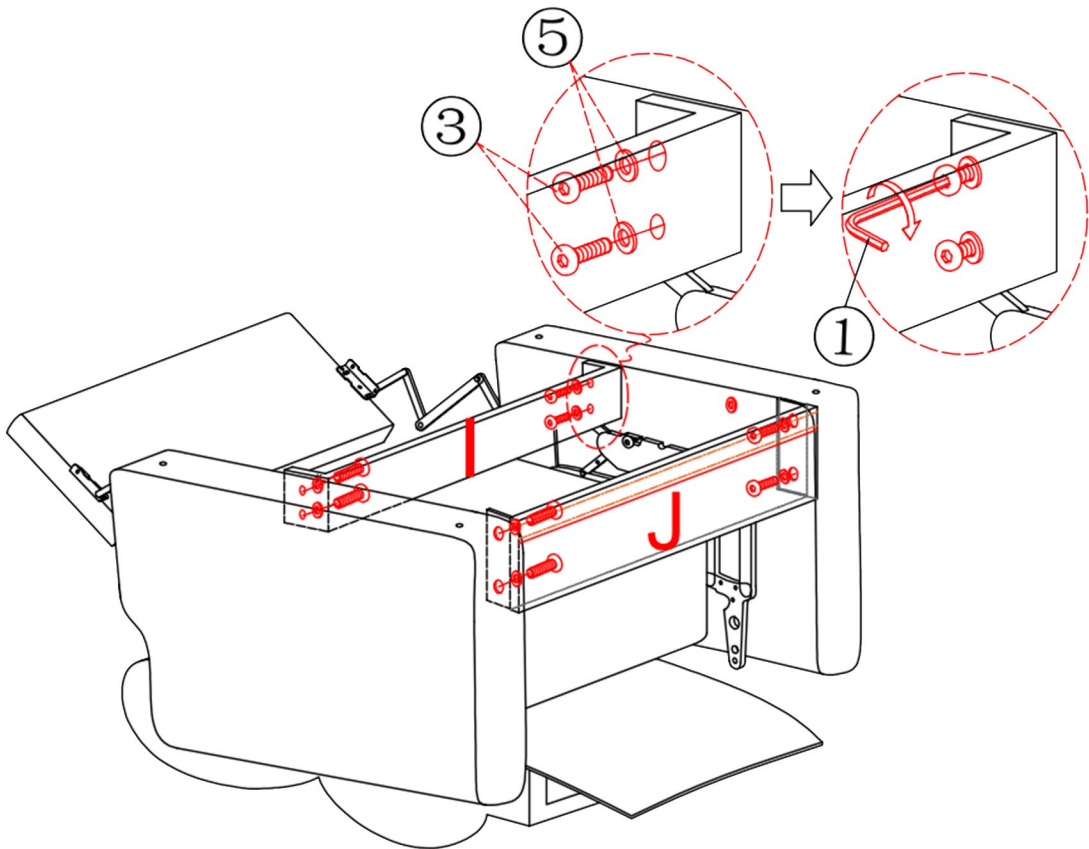
The position of the velcro

- 
1. Place accord the installation guide clearly.
 2. The armrest point to the foot rest is the front part.



step 10

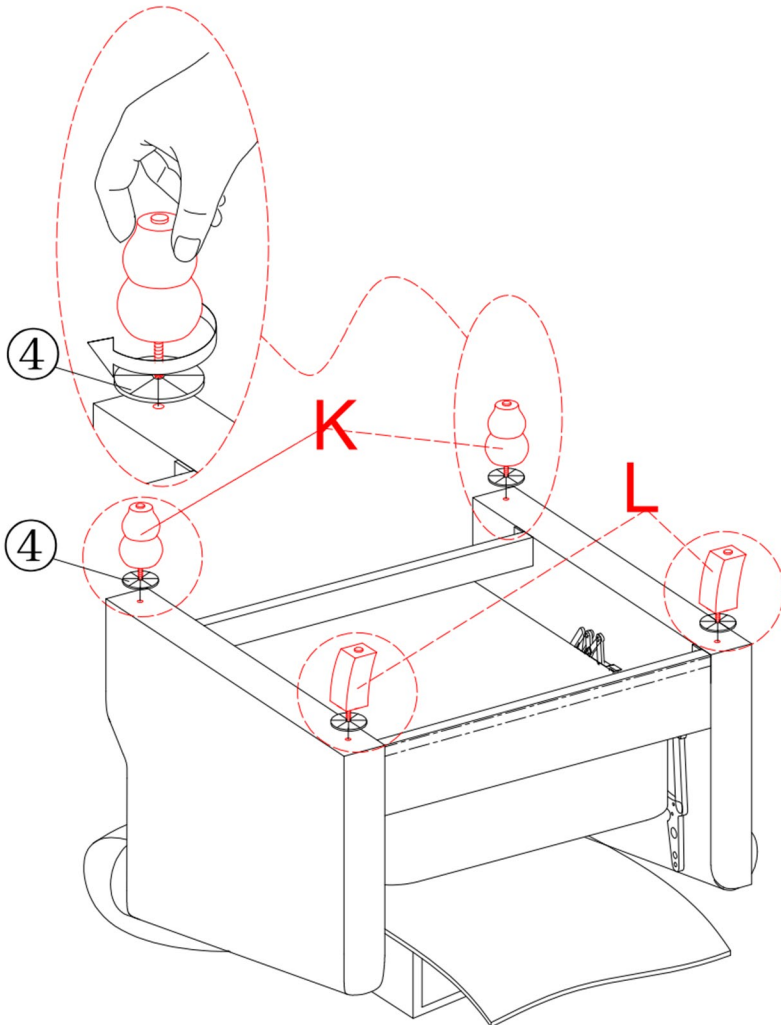
First place one flat washer (5) on each bolt (3), then align the bolt holes on both connecting part-Front (I) and connecting part-Back (J), then use allen key provided to tighten all bolts by 30-50%, make sure bolt holes on both armrests and connecting part-Front are correctly aligned before fully tightening.



step 11

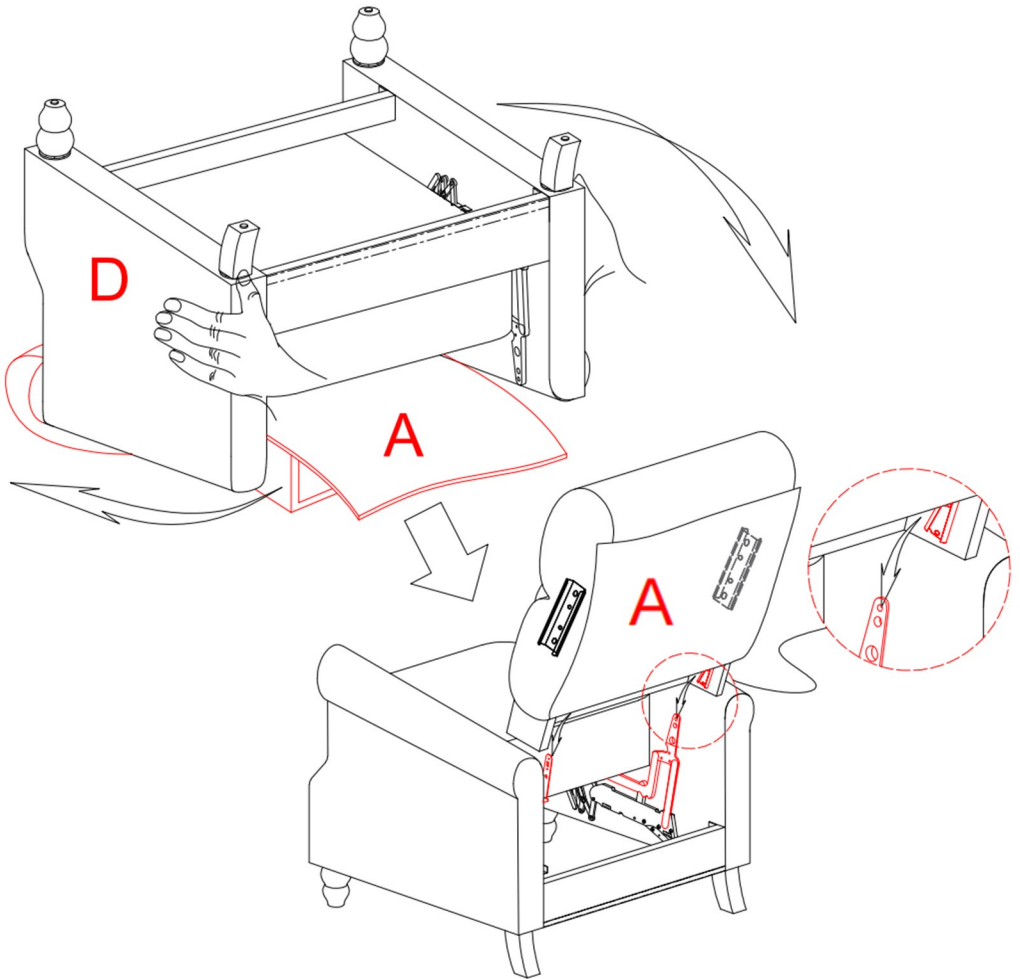
Place one plastic washer (4) on the bolt part of the wood legs, then twist in the front and back wood legs (K & L) into the pre-drilled holes on the bottom of the armrests.

Make sure they are fully tightened.



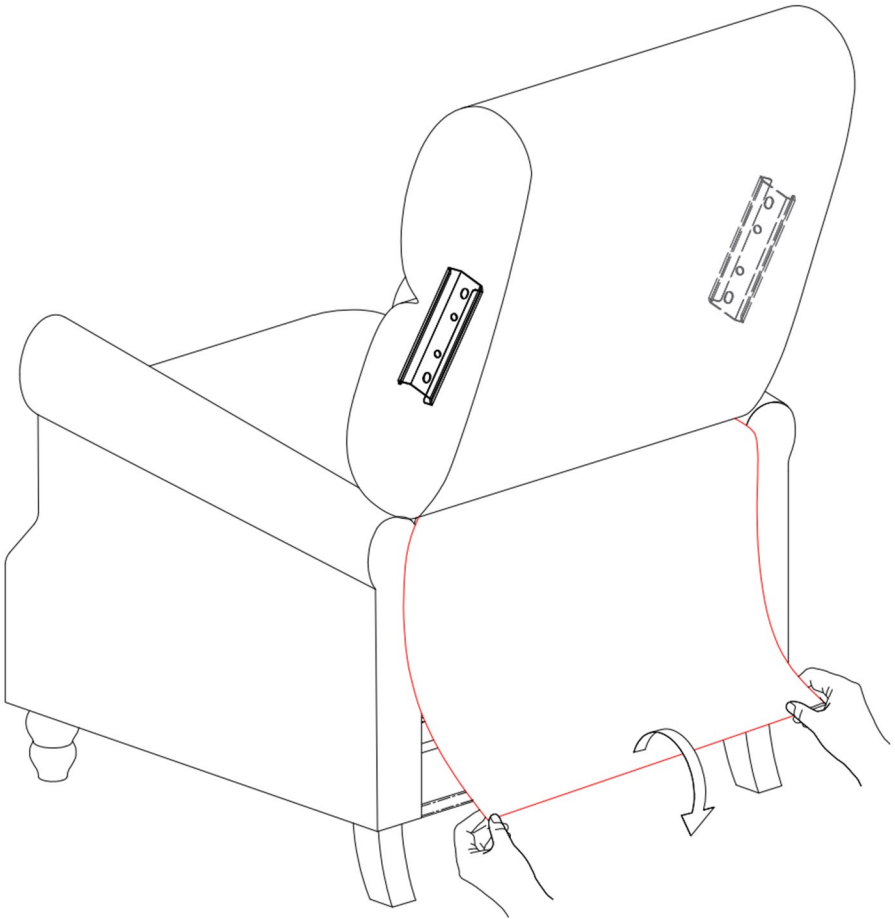
step 12

Take the seat frame (D) and place it straight on the ground. Hold the backrest (A) and uncover the back cloth, align the metal connectors of the inner backrest (A) with the tip part of the sofa metal functional supports on the seat frame, and push down hard until they interlocked completely.



step 13

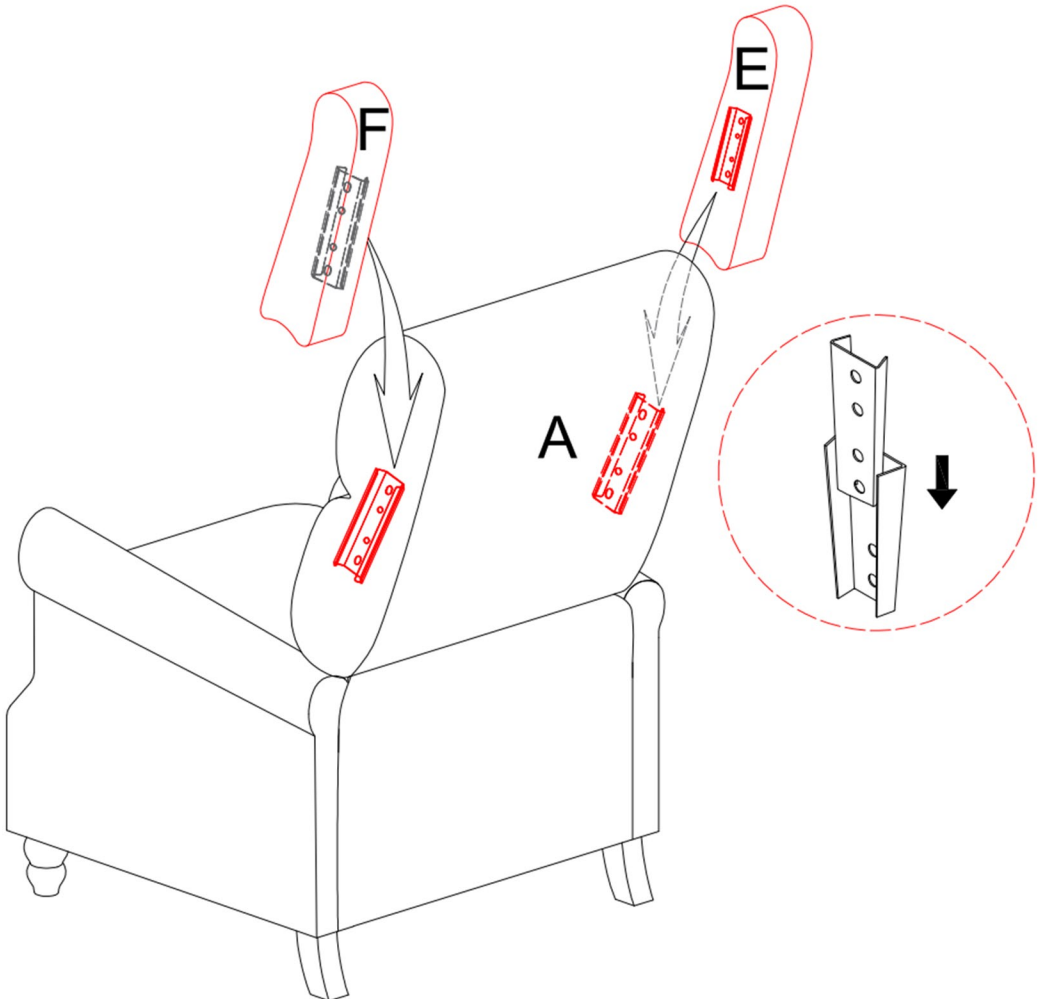
Uncover the Velcro strip cover on the bottom of the back cloth, and stick the Velcro to the bottom of the connecting part-Back.



step 14

Install the wings (F&E) to the backrest as shown. Make sure the connector are aligned to the correct slot before pushing down.

Repeat this step for both side ears.



step 15

The backrest and the footrest are adjustable, the backrest has recline function. When you lie down and apply force to the backrest, the footrest will lift up while backrest is reclining down.

