

 Wovenbyrd

# Assembly Instructions

---

Laurent Upholstered Bed

ITEM# 7HQUB0002

## Congratulations on your new Wovenbyrd piece!

Assembly your furniture should be as easygoing as enjoying the finished product.

Our instructions are simple, straightforward and easy to follow.  
That means less stress during assembly and more time to unwind in your newly furnished sanctuary.

.....

### Before you begin:

1. Email **service@the7thhaven.com** or call **(833) 784-2836** with any questions or to order missing supplies.
2. Gather all necessary tools prior to assembly.

### Assembly tips:

1. Remove hardware from the box and sort by size. Place all pieces on a soft, flat surface to avoid scratches on floors or other furniture.
2. Check to see that all hardware and parts are included before beginning assembly.
3. Follow the attached instructions in order for fast and easy assembly.

### Warning:

1. Do not attempt to repair or modify parts that are broken or defective.  
Please contact **service@the7thhaven.com** for assistance.
2. This product is for home use only and not intended for commercial use.

Wovenbyrd

# Hardware

---

Bolts x 13  
(K)



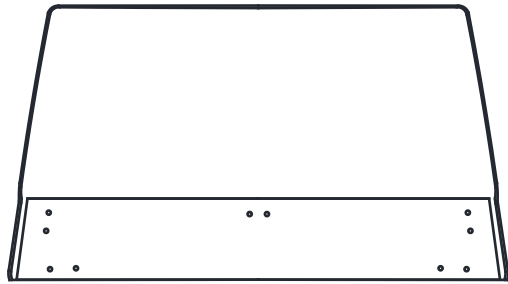
Bolts x 16  
(L)



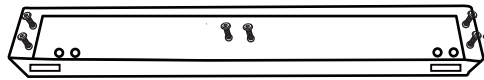
Allen key x 1  
(M)



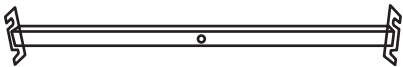
# Parts



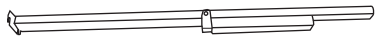
..... **A** X1 pc



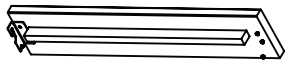
..... **B** X1 pc



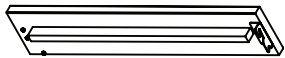
..... **C** X1 pc



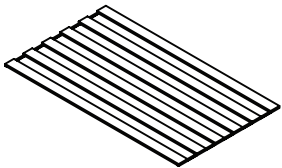
..... **D** X2 pcs



..... **E** X2 pc



..... **F** X2 pcs



..... **G** X2 pcs



..... **H** X2 pcs



..... **I** X1 pc

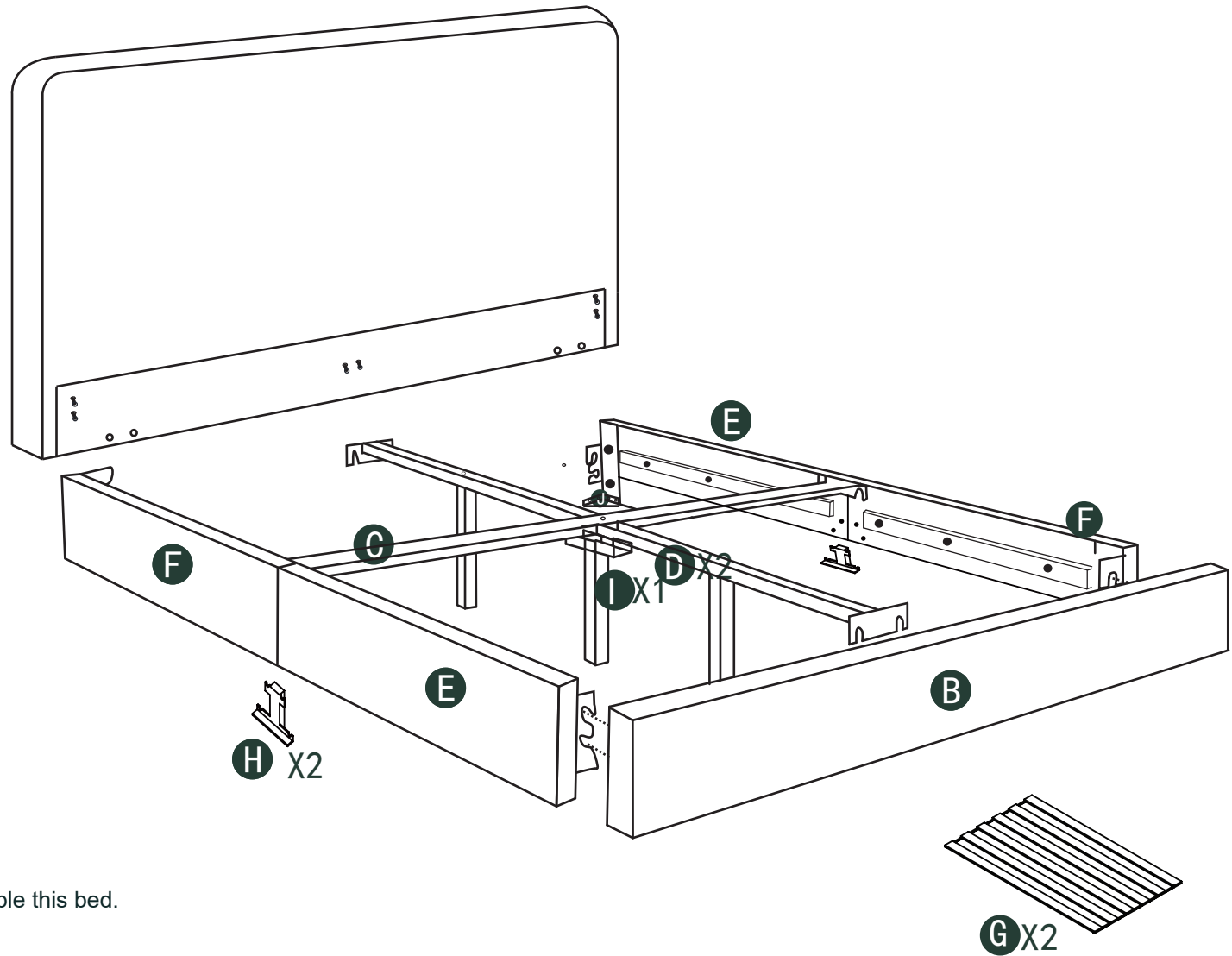


..... **J** X4 pcs

ITEM	DESCRIPTION	QTY
A	Headboard	1
B	Footboard	1
C	Horizontal Metal	1
D	Vertical Metal	2
E	Side Panels	2
F	Side Panels	2
G	Slat	2
H	Metal connection	2
I	Middle Metal Leg	1
J	Triangle metal connection	4

# Exploded diagram

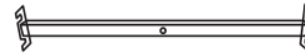
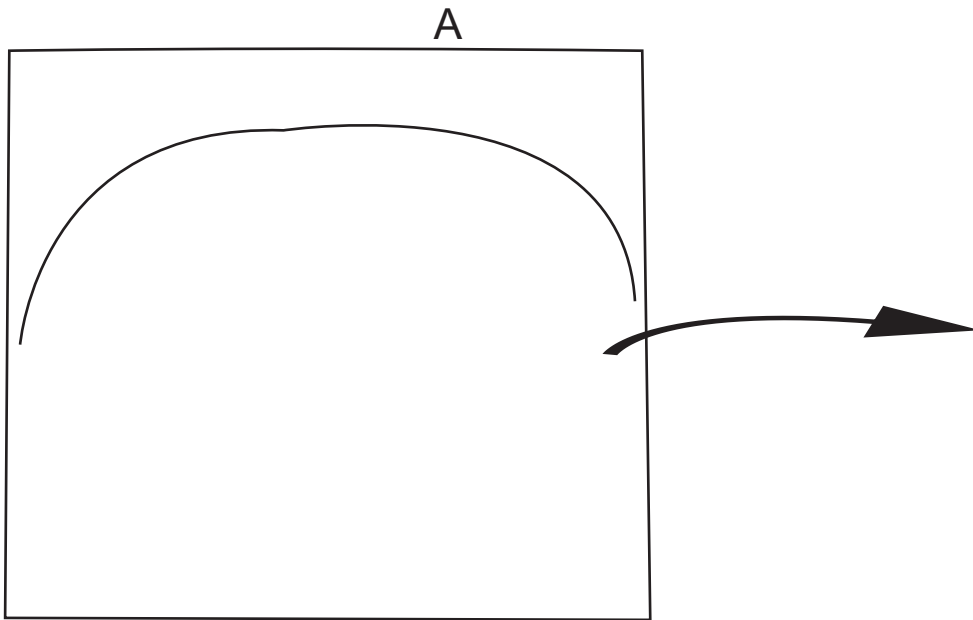
---



⚠ Reminder: Need two person to assemble this bed.

# Step 1. Open the zipper, take out the parts.

---



..... **C** X1 pc



..... **D** X2 pcs



..... **E** X2 pc



..... **F** X2 pcs



..... **H** X2 pcs



..... **I** X1 pc



..... **J** X4 pcs



..... **K** X13 pcs





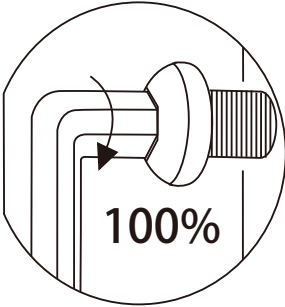
..... **L** X16 pcs



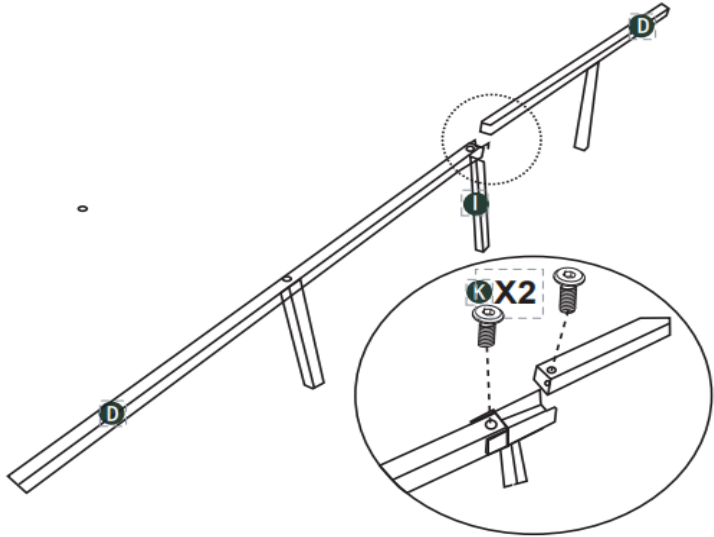
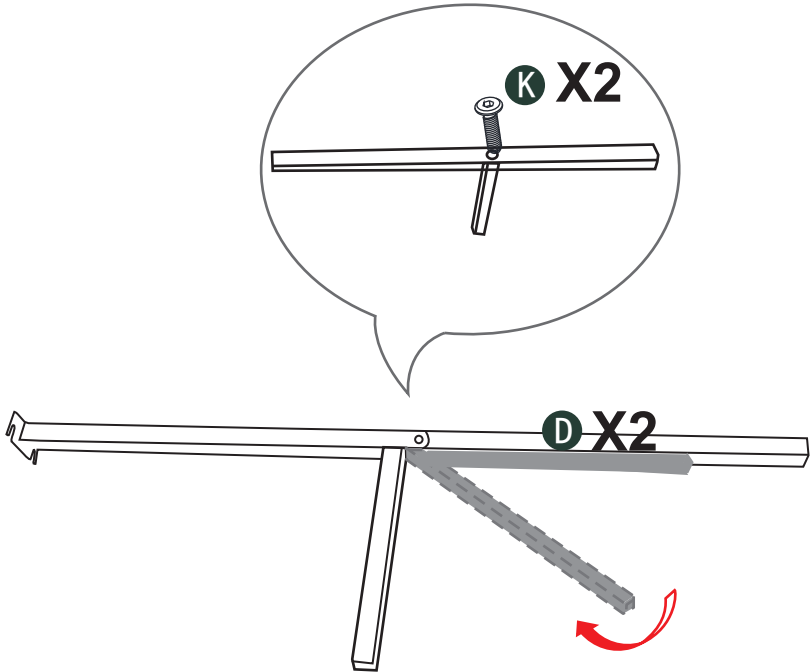
..... **M** X1 pc

**Step 2. Assemble the metal frame as below.**

K		4pc
M		1pc

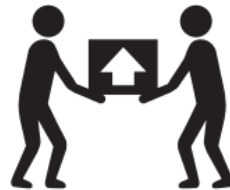
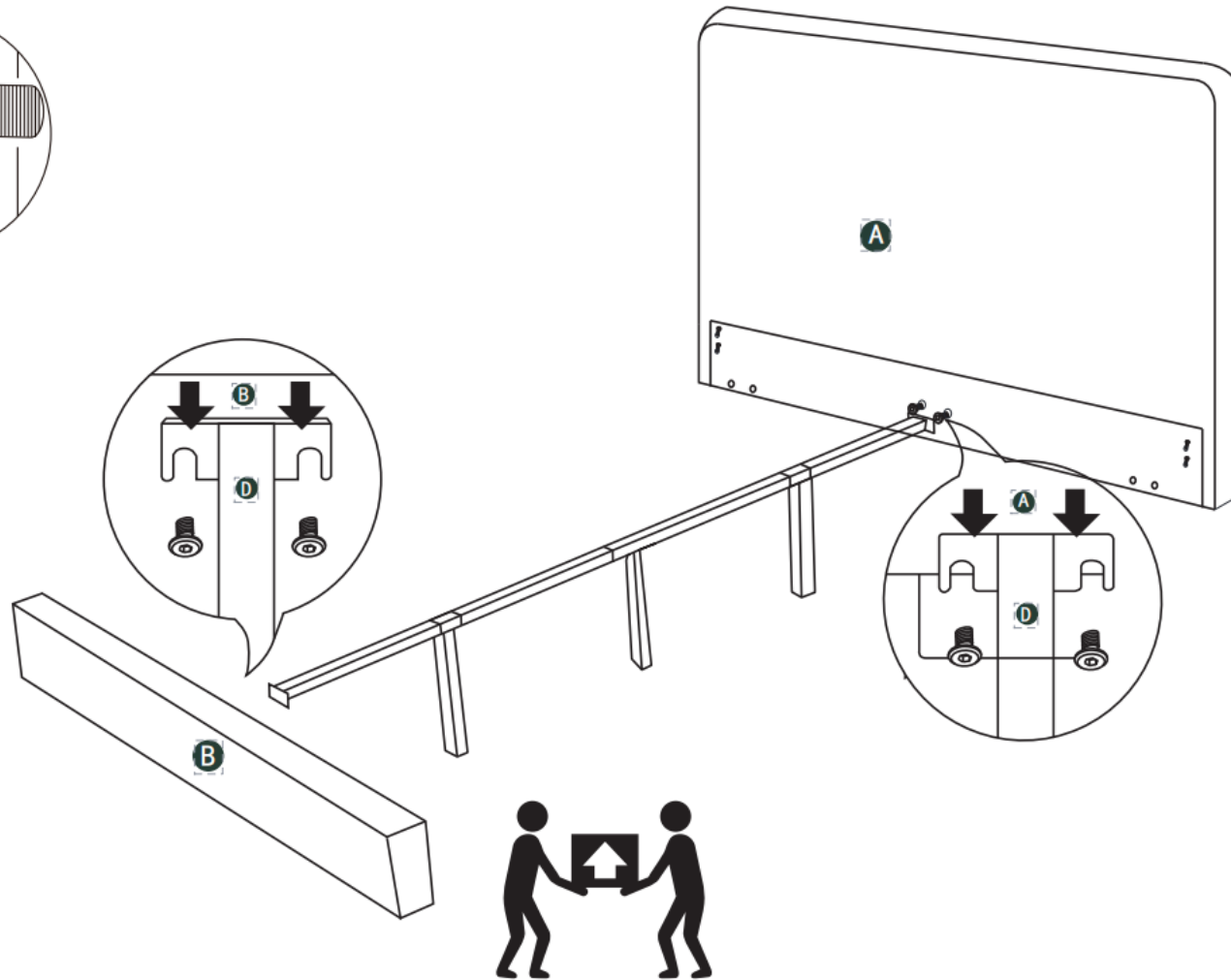
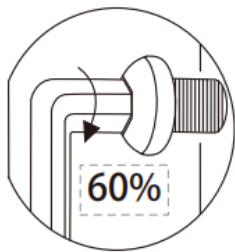


**⚠ Reminder: Tighten all bolts.**





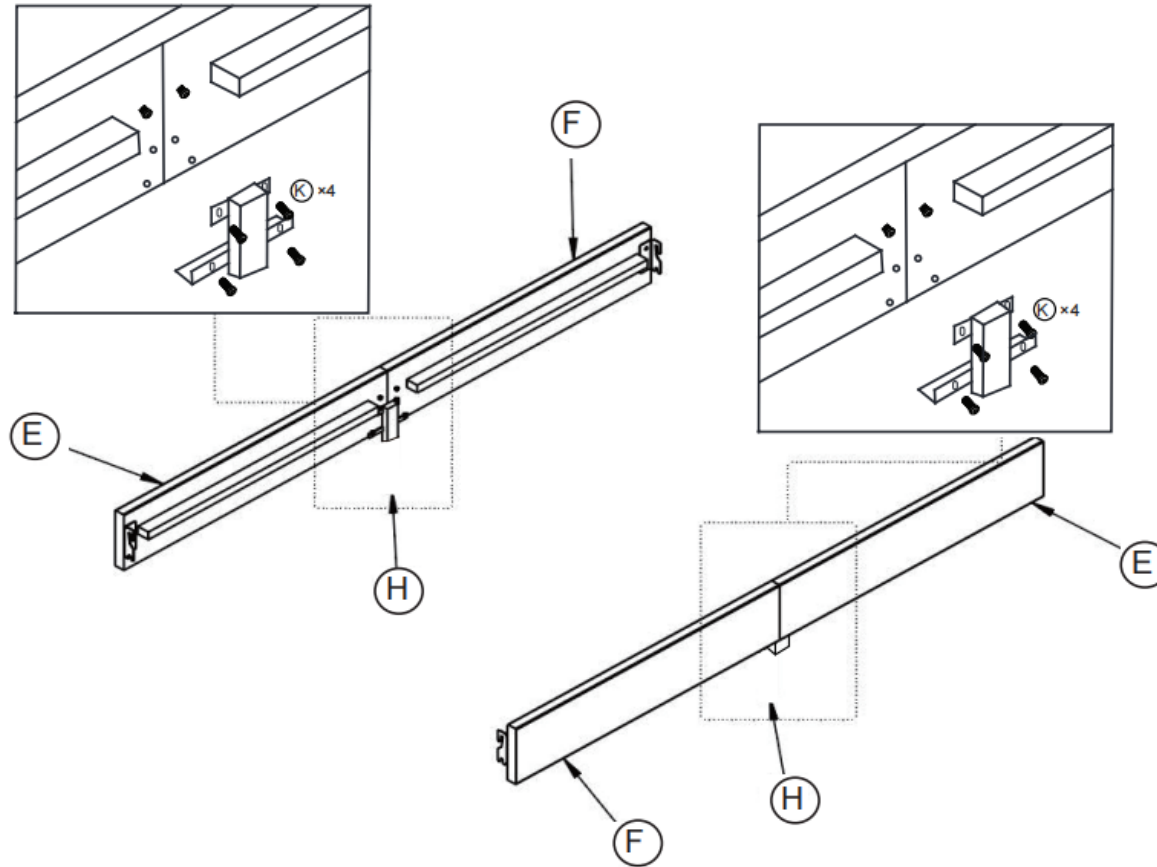
**Step 3. Assemble the metal frame and woodframe as below.**

---



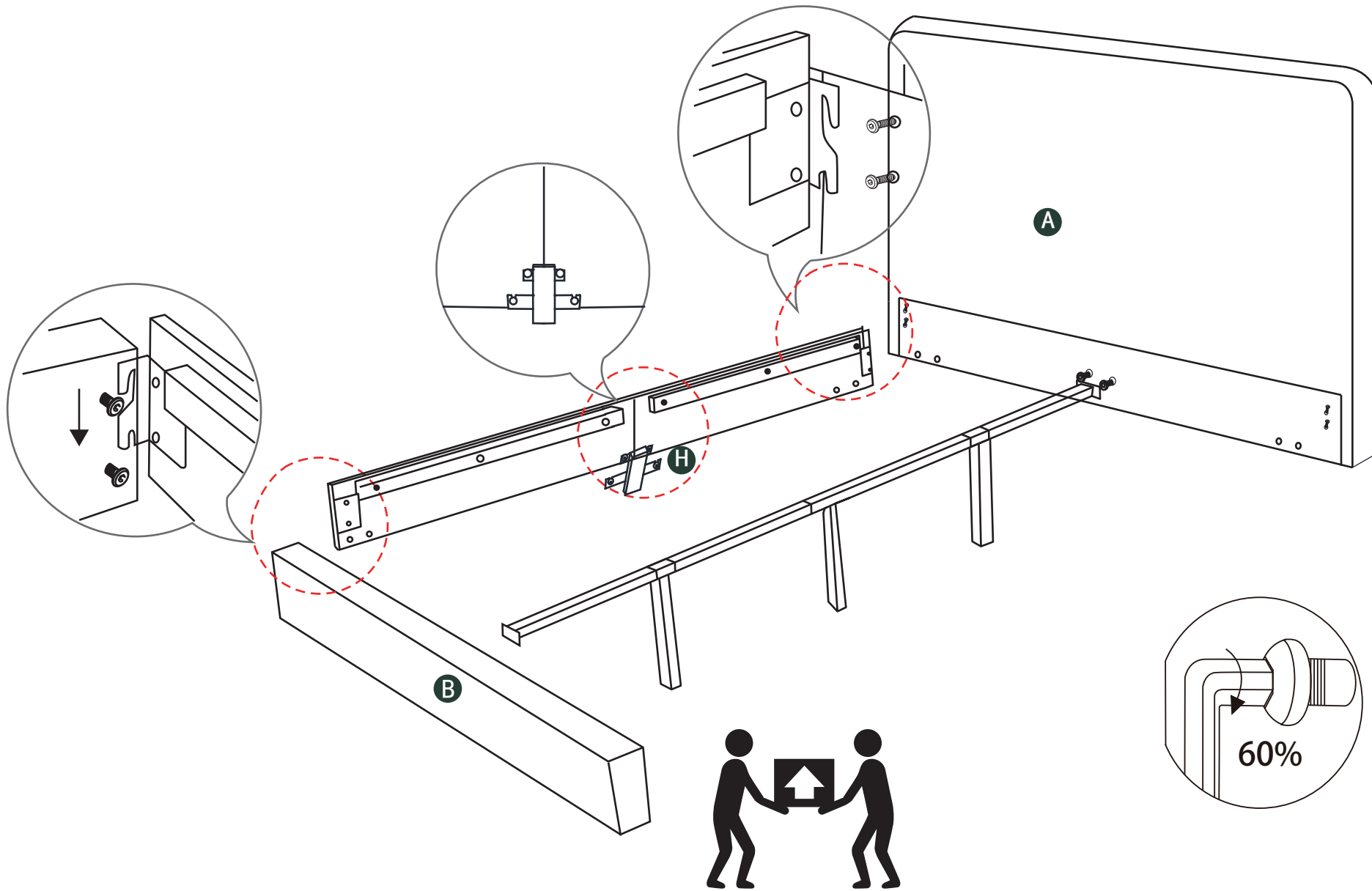
**Step 4. Assemble the metal legs(H) with the side panels as below.**

K		8pc
M		1pc



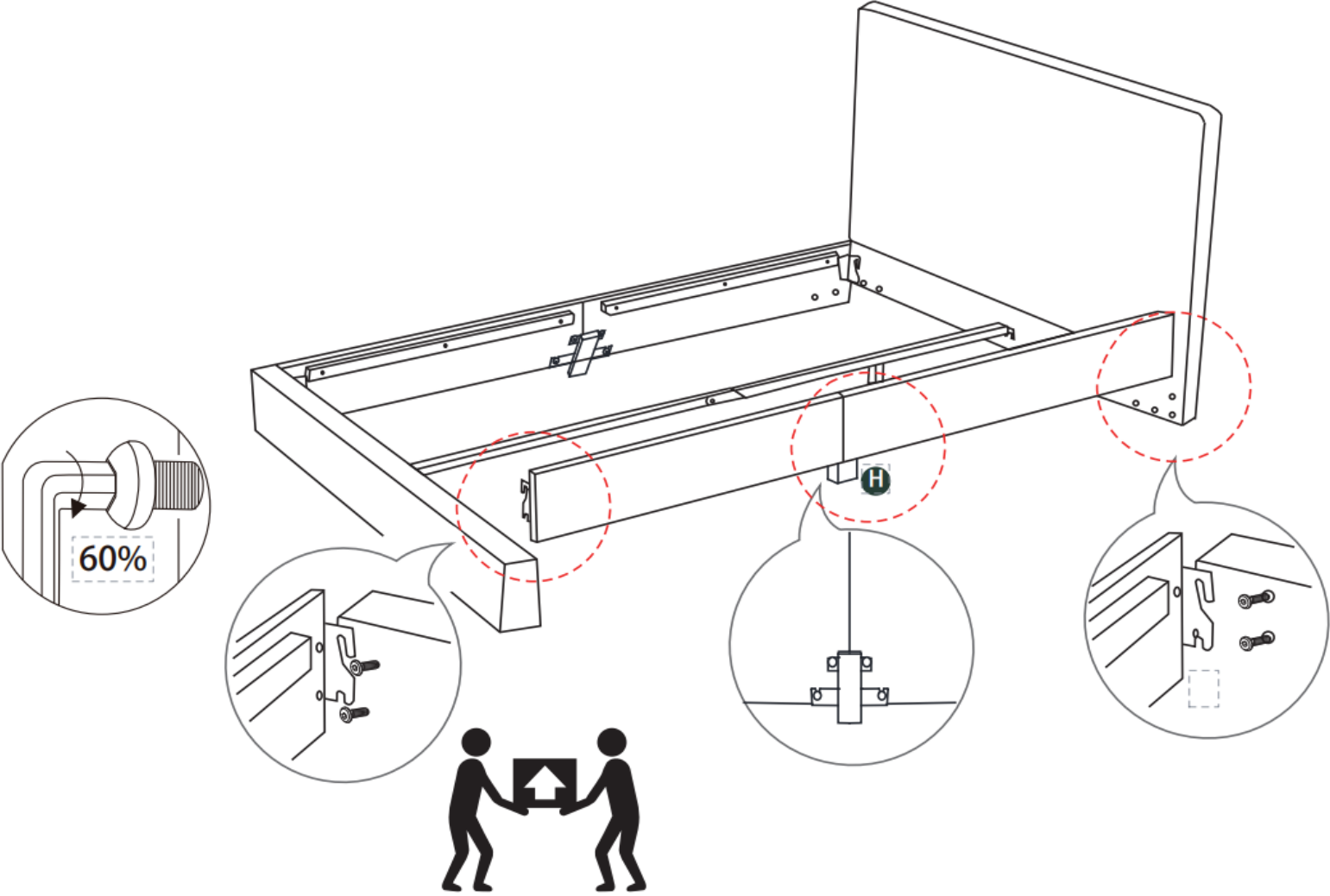
## Step 5. Assemble the side panels to the wood frame.

---





**Step 6. Assemble another side panels to the wood frame.**

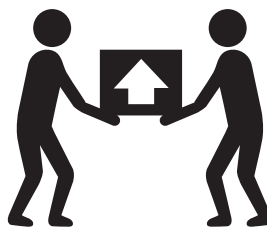
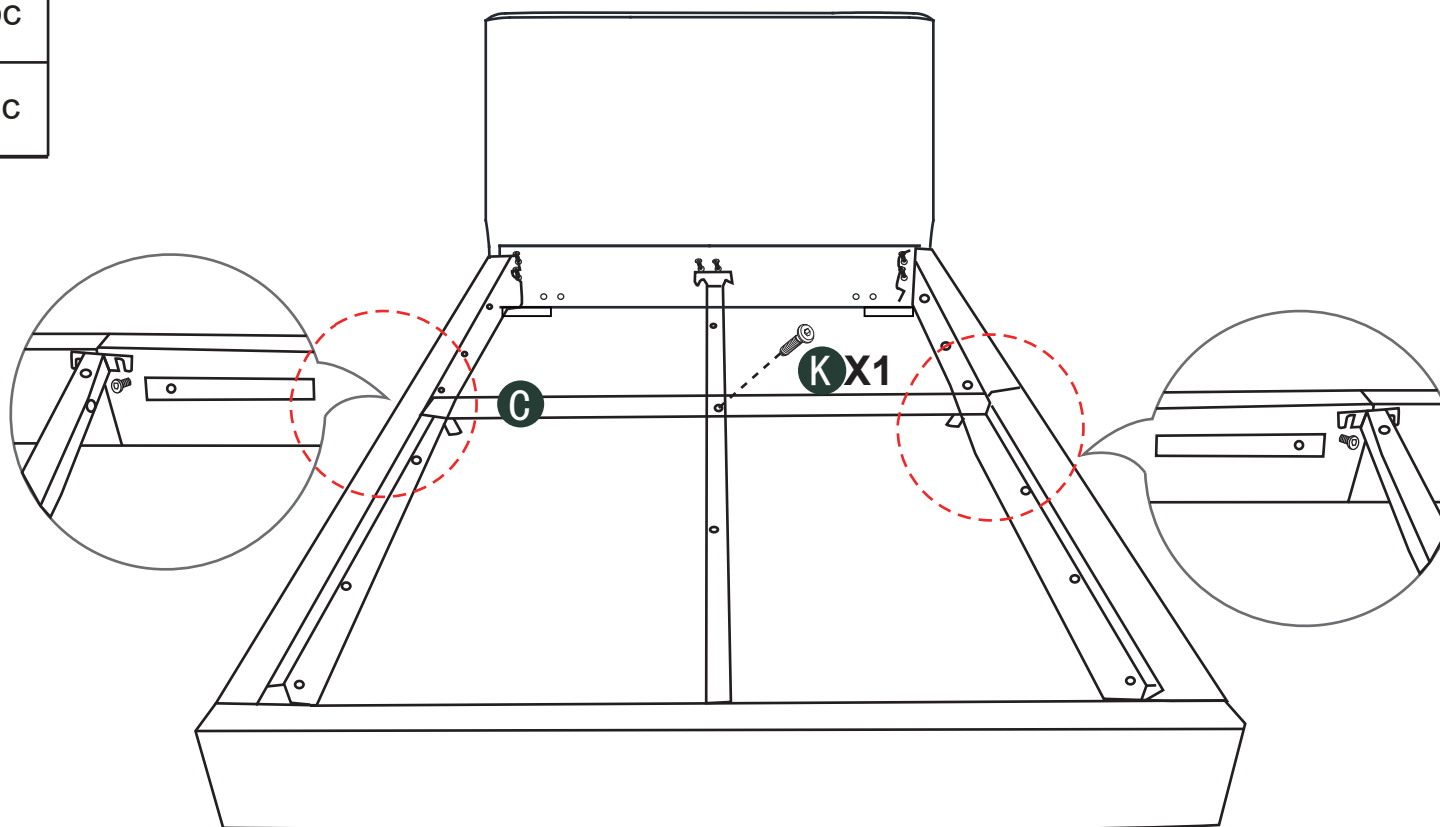
.....




## Step 7. Assemble the metal frame (C) as below.



.....

K		1pc
M		1pc



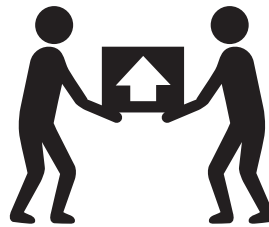
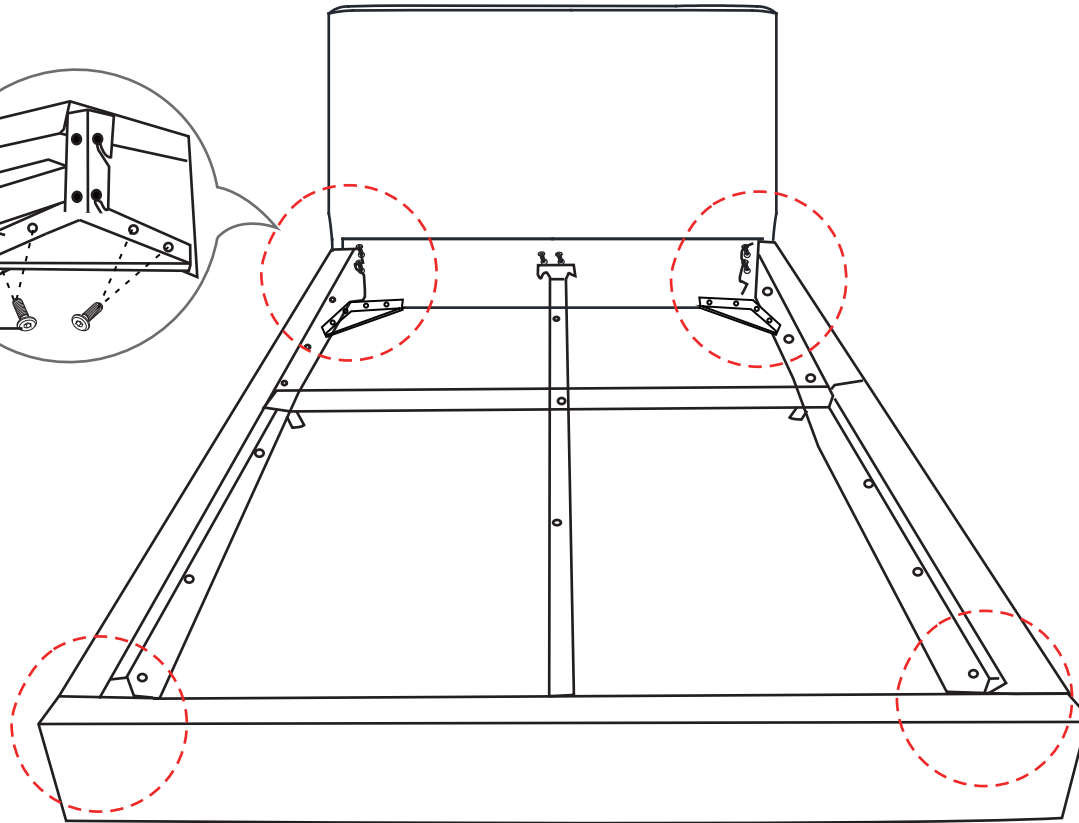
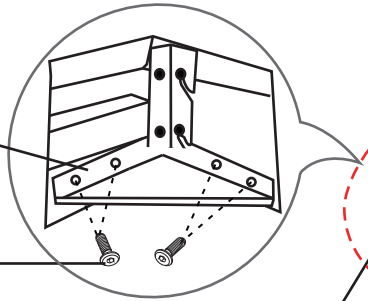
Reminder: Need two person to assemble this bed.  
Reminder: Before installing, unscrew the screws outward. 

## Step 8.1. Assemble the 4 triangle metal connections as below.

L		16pc
M		1pc

**J**X4

**L**X16



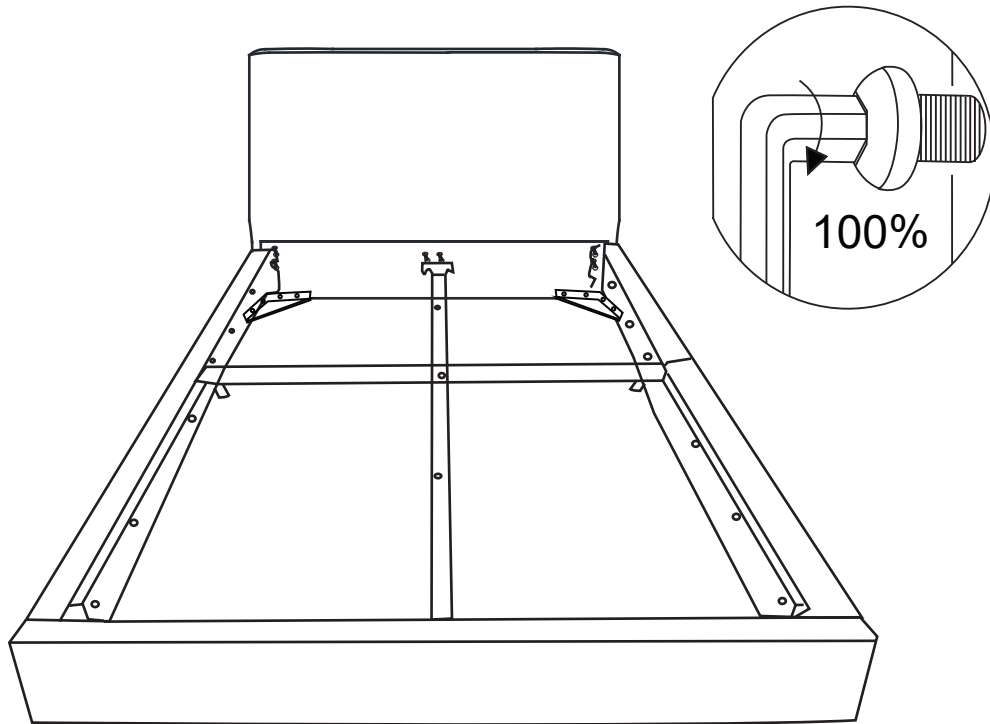
c

Reminder: Need two person to assemble this bed.  
Reminder: Before installing, unscrew the screws outward.

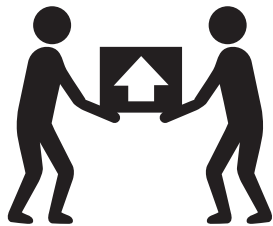
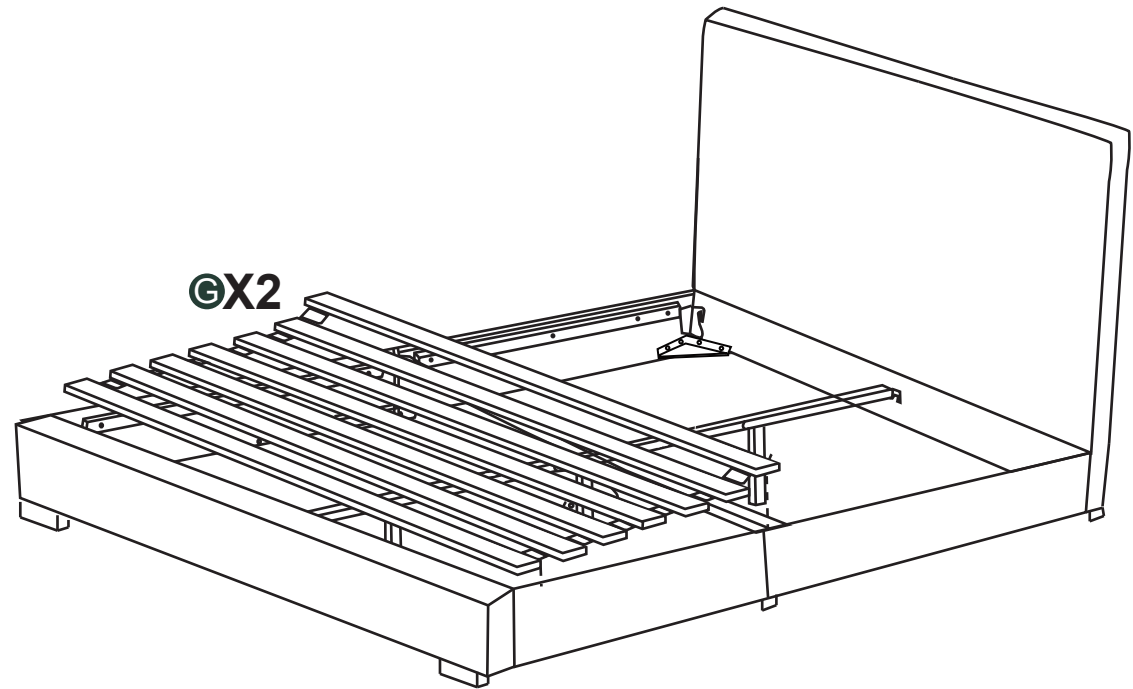


**Step 8.2. Tighten all bolts, then place the slat roll on the bed frame as below.**

.....



**⚠** Reminder: Tighten all bolts before place the slat roll.



**⚠** Reminder: Need two person to assemble this bed.

