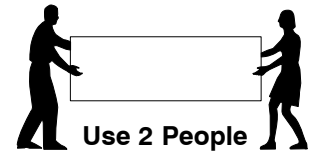
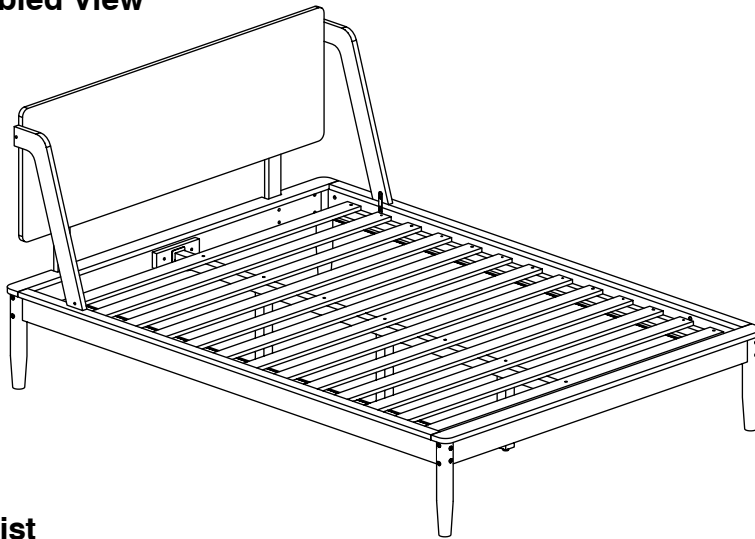


Full Bed

Assembly Instructions

1 Assembled View



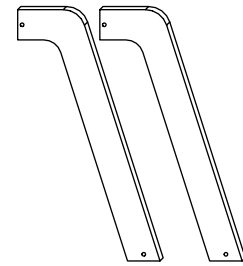
Note: Do not assemble using power tools. This can cause the bolts to be overtightened

2 Parts List

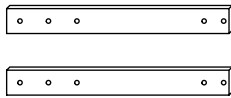
Parts in Box A:



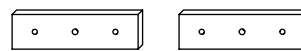
A Headboard x 1



B Headboard Support Rail x 2

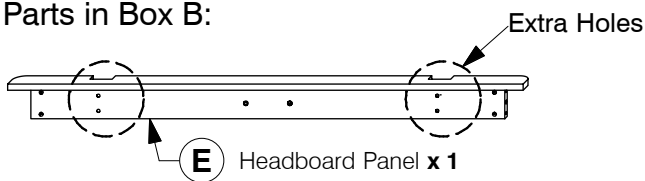


C Support Bar x 2

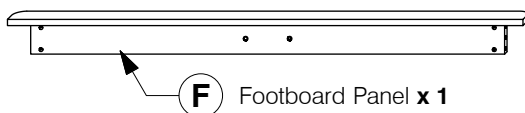


D Head / Footboard Support x 2

Parts in Box B:



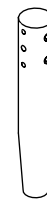
E Headboard Panel x 1



F Footboard Panel x 1



J Post (Left Hand) x 2



K Post (Right Hand) x 2



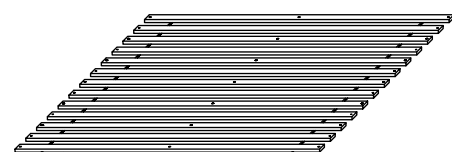
L Support Leg x 3



G Side Rail x 2



H Long Support x 1

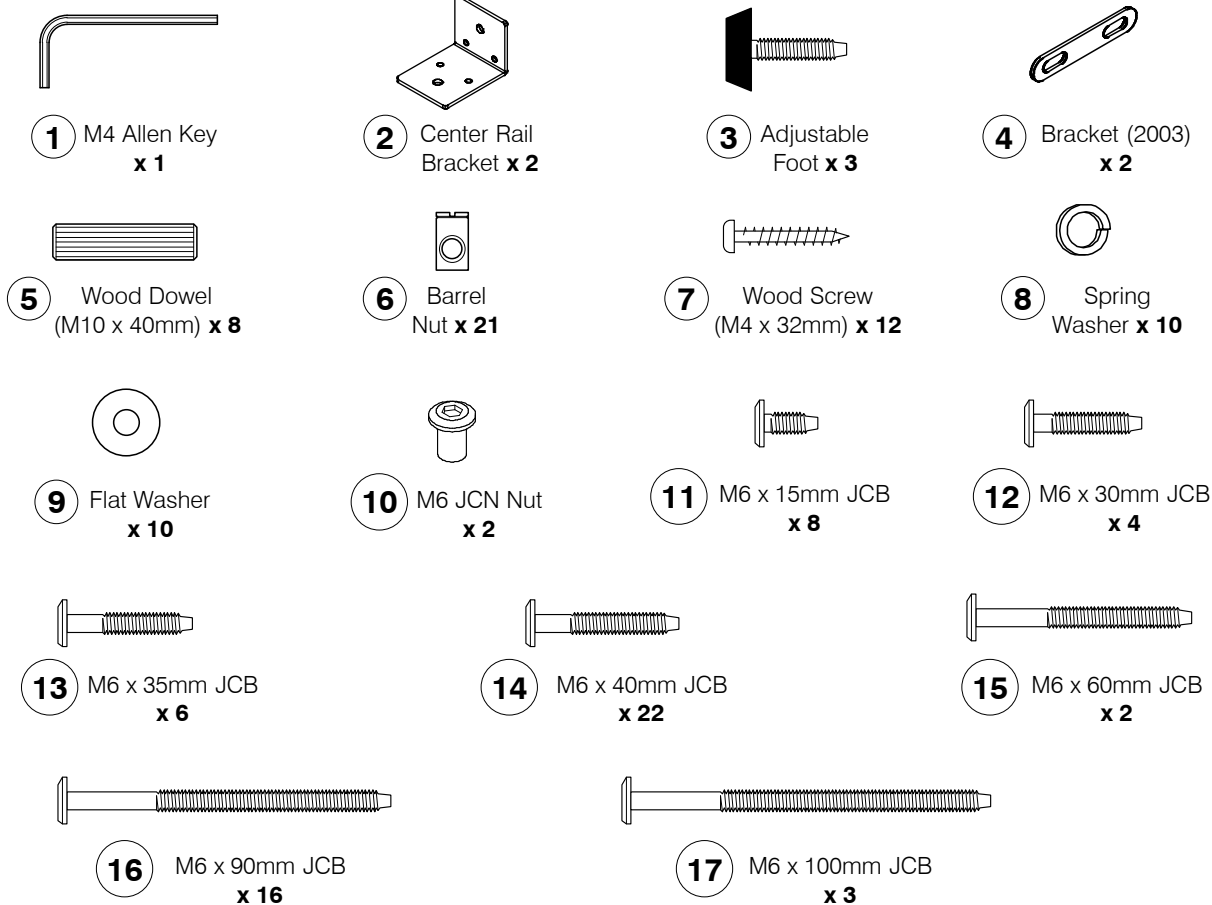


M Set of Bed Slats x 1

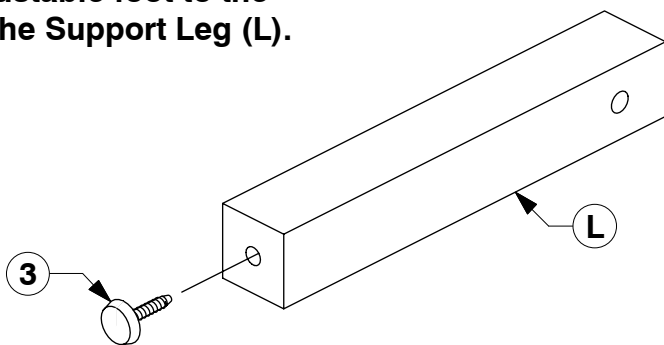
Full Bed

Assembly Instructions

3 Hardware List

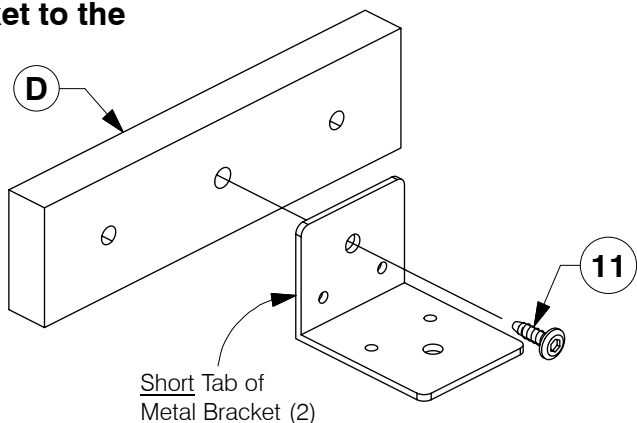


4 Fix the Adjustable foot to the bottom of the Support Leg (L).



x3

5 Fit the Center Rail Bracket to the Head / Footboard Support (D).

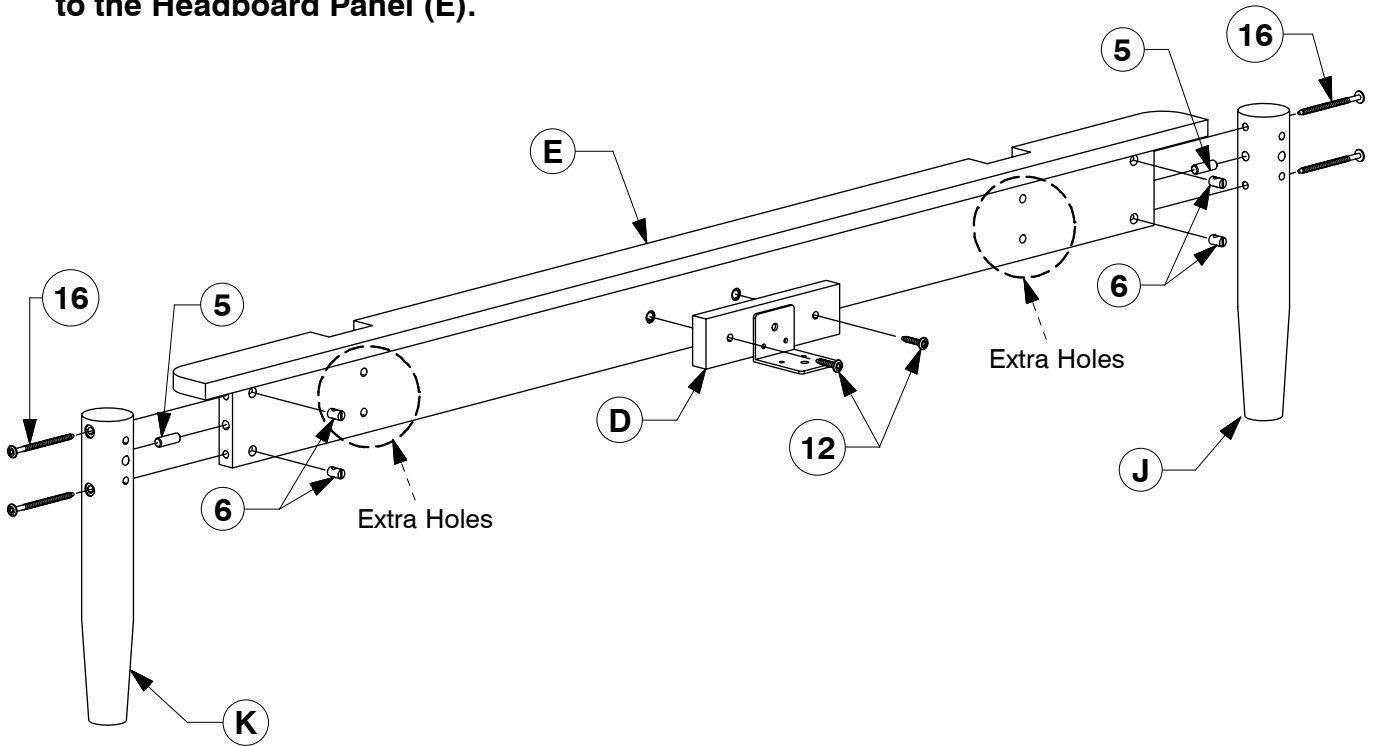


x2

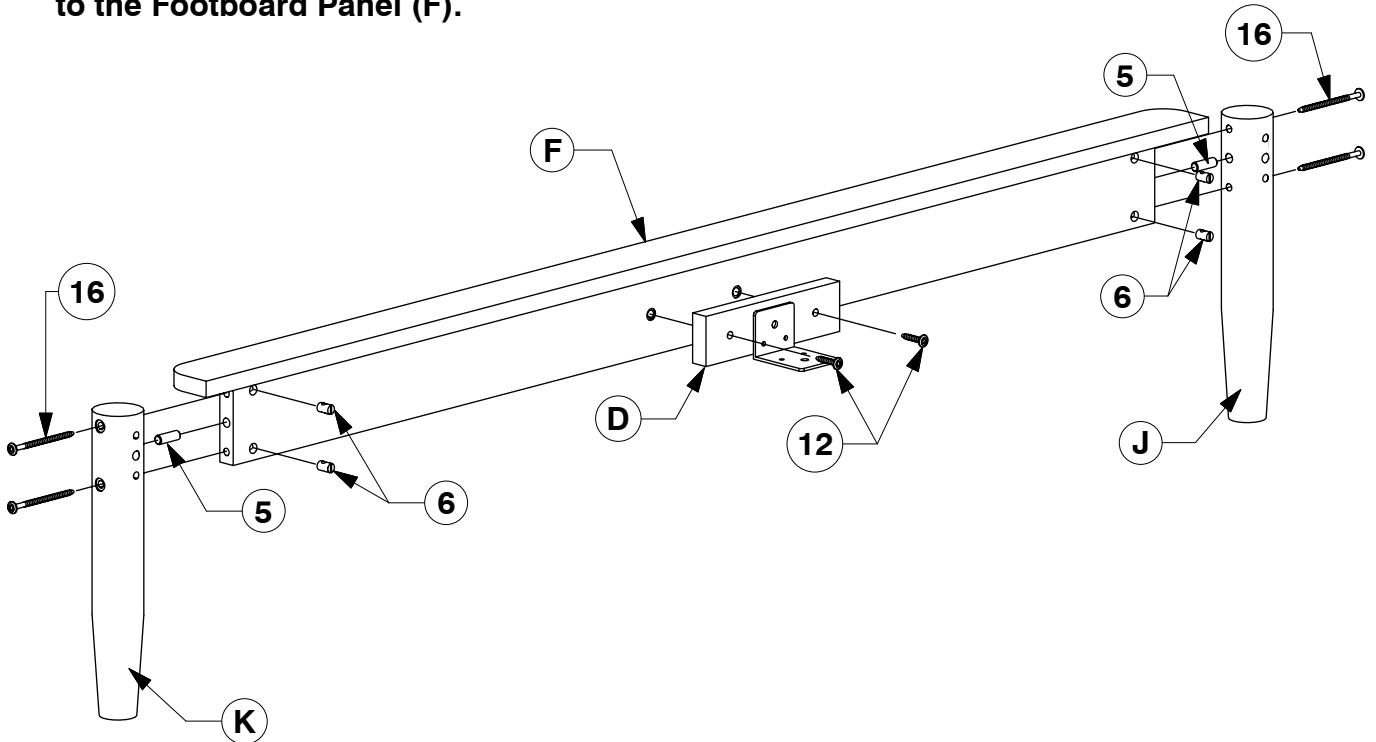
Full Bed

Assembly Instructions

- 6 Assemble the Post (J & K) and Head / Footboard Support (D) to the Headboard Panel (E).**



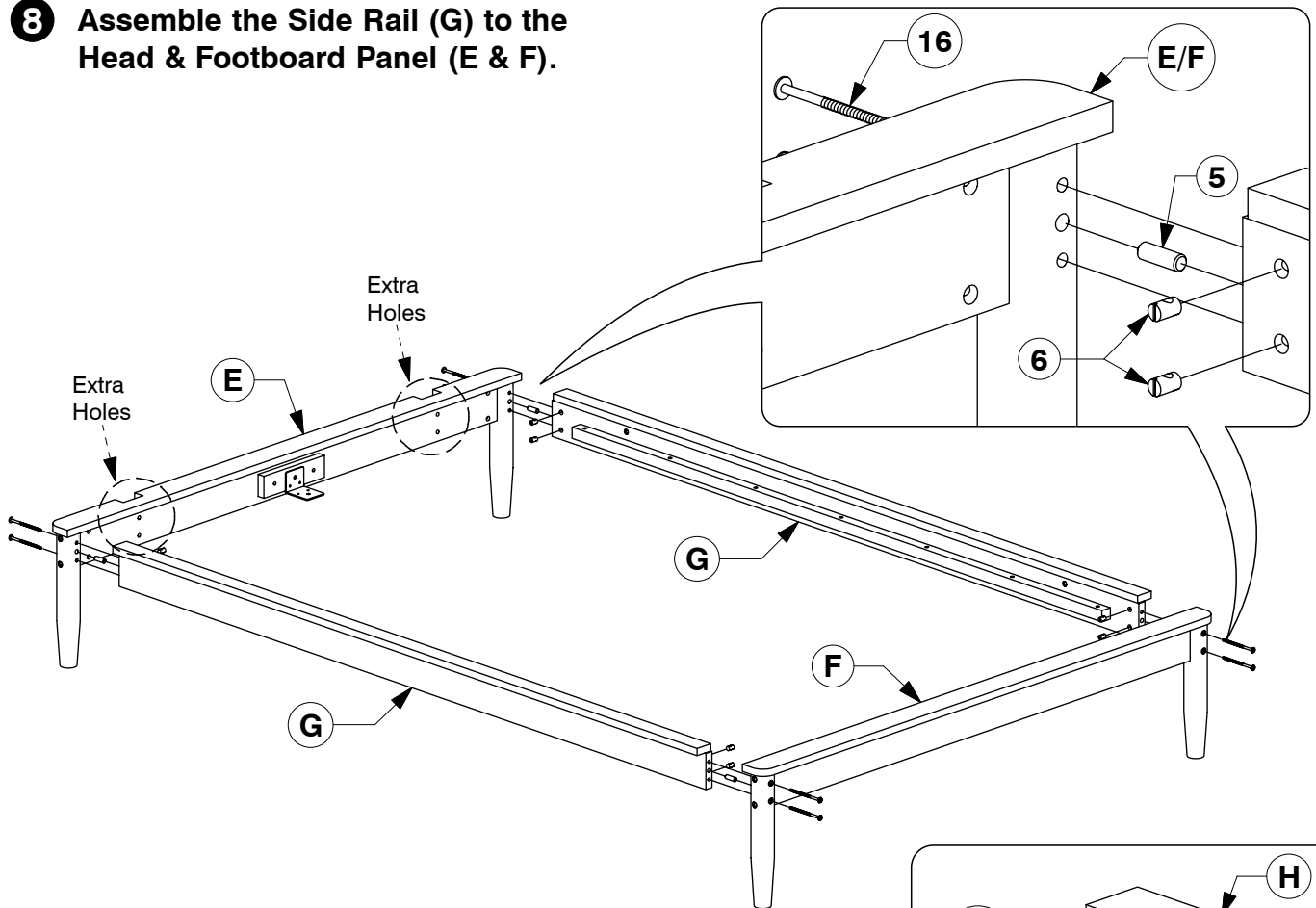
- 7 Assemble the Post (J & K) and Head / Footboard Support (D) to the Footboard Panel (F).**



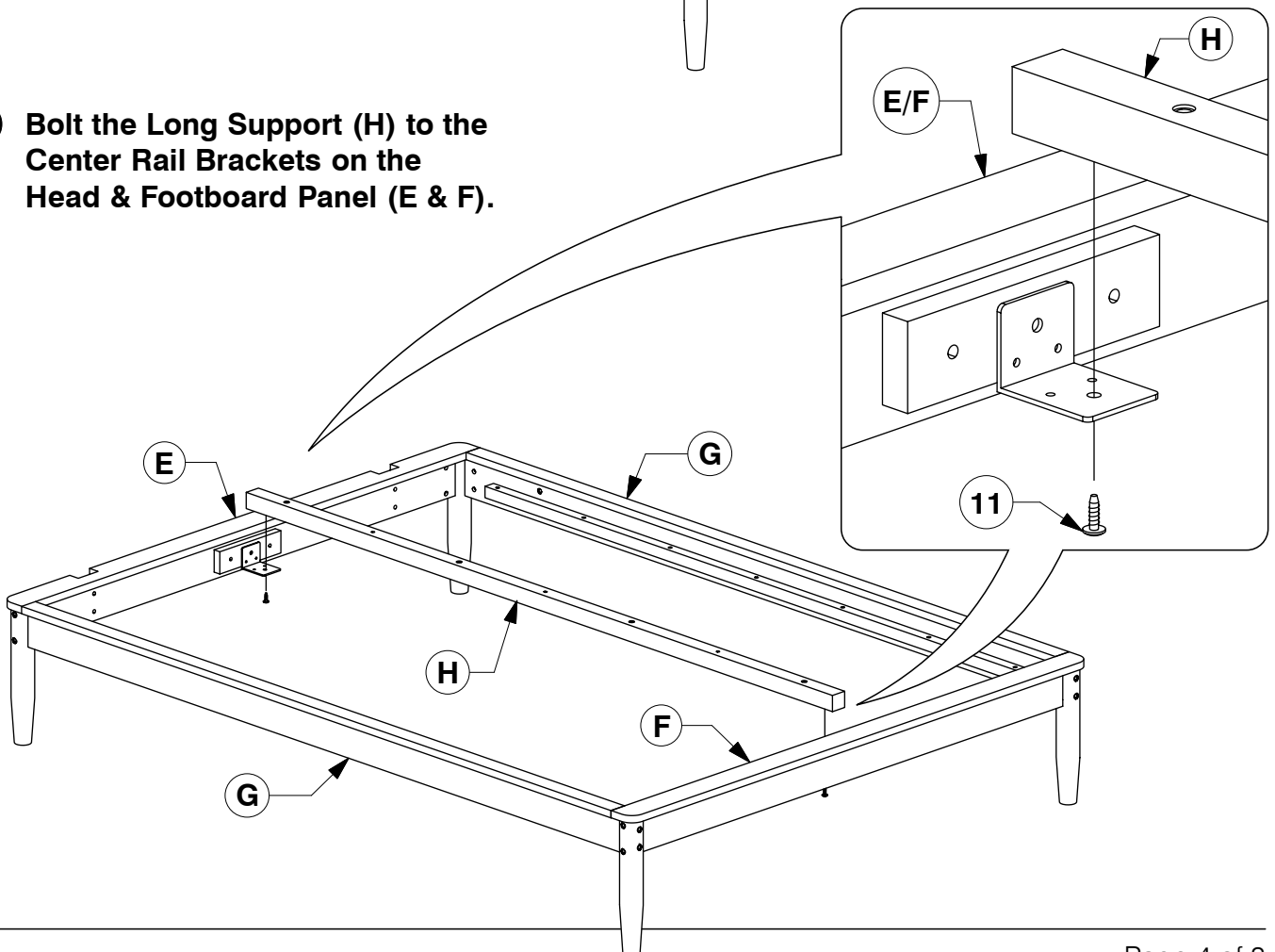
Full Bed

Assembly Instructions

- 8** Assemble the Side Rail (G) to the Head & Footboard Panel (E & F).



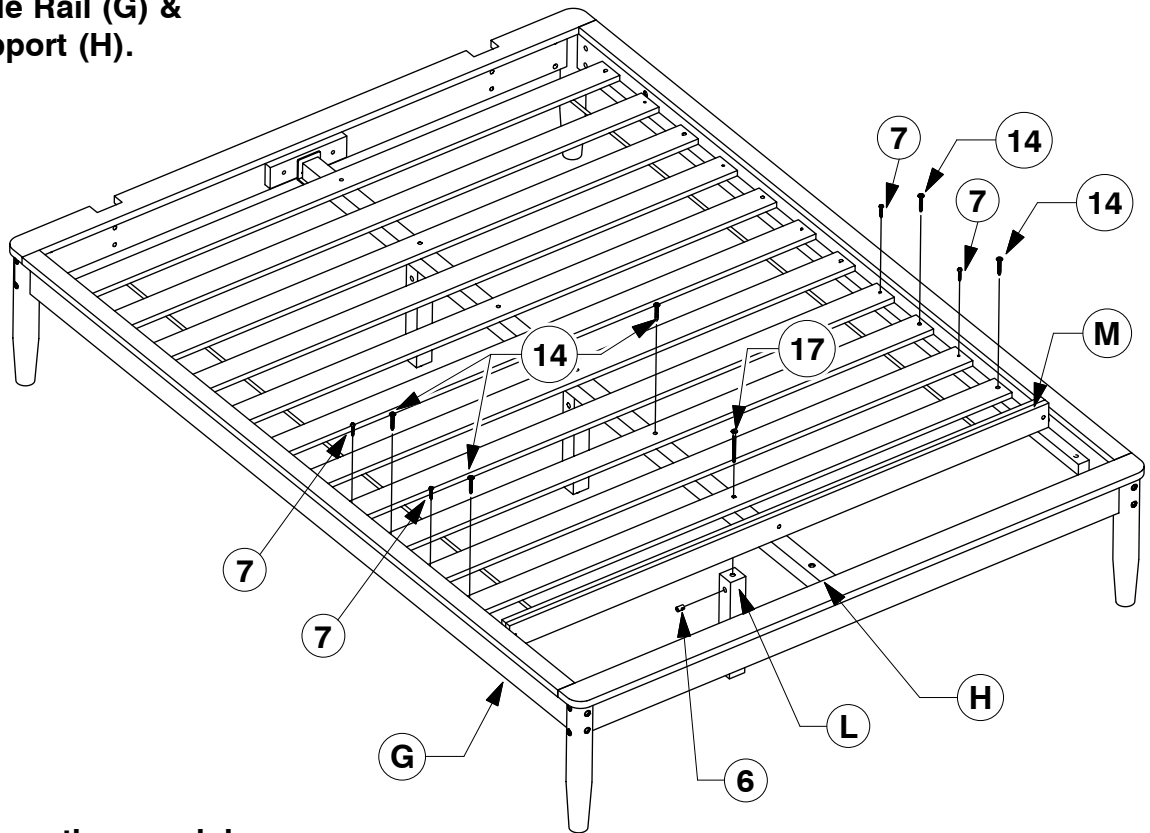
- 9** Bolt the Long Support (H) to the Center Rail Brackets on the Head & Footboard Panel (E & F).



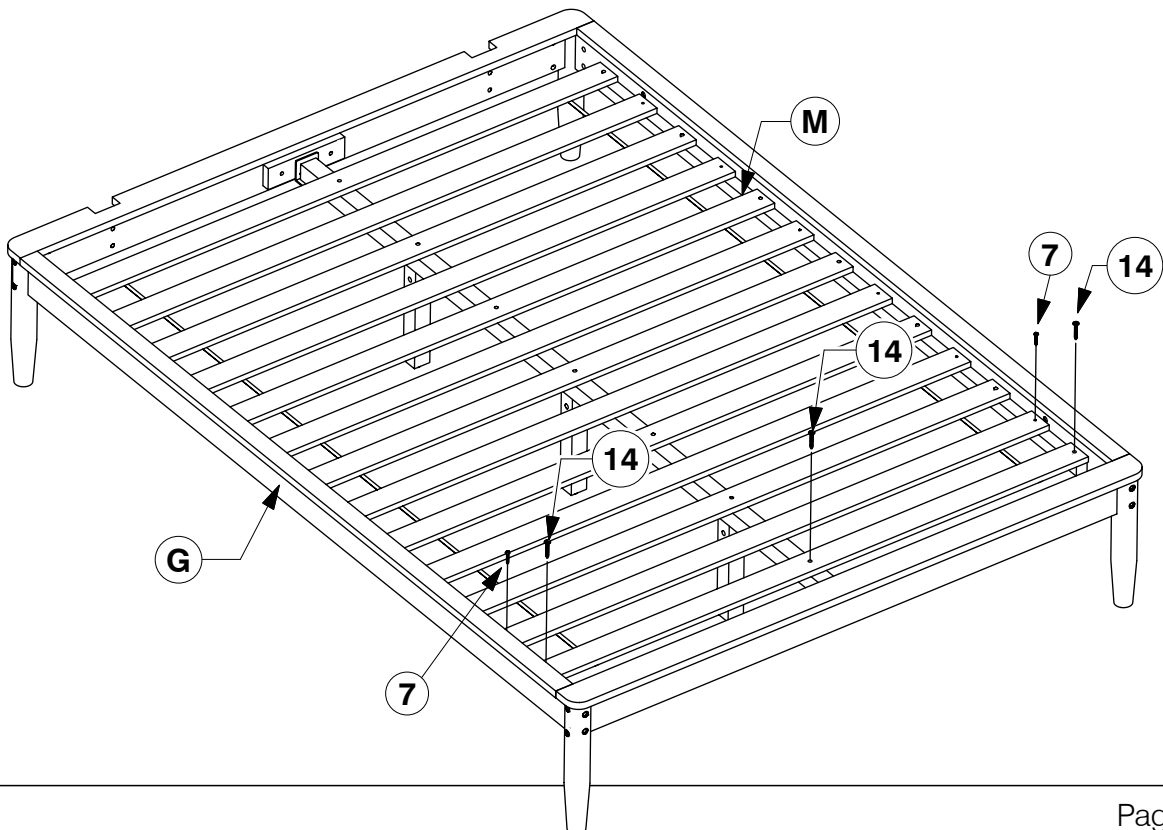
Full Bed

Assembly Instructions

- 12** Fit the other Slats out and assemble the Support Leg (L) to the Bed Slat (M). Bolt & screw the Bed Slats (M) to the Side Rail (G) & Long Support (H).



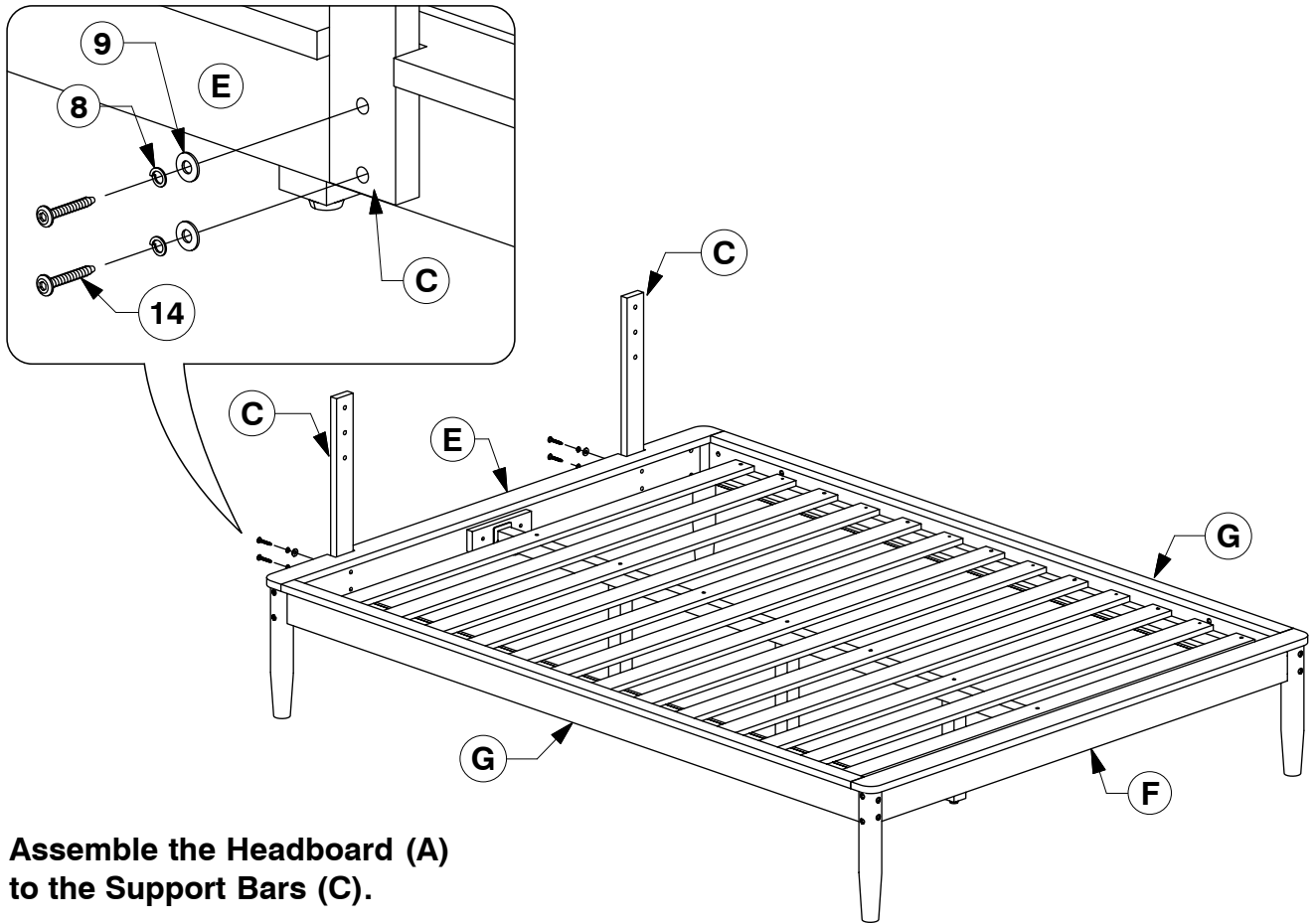
- 13** Bolt & screw the remaining Bed Slats (M) to the Side Rail (G).



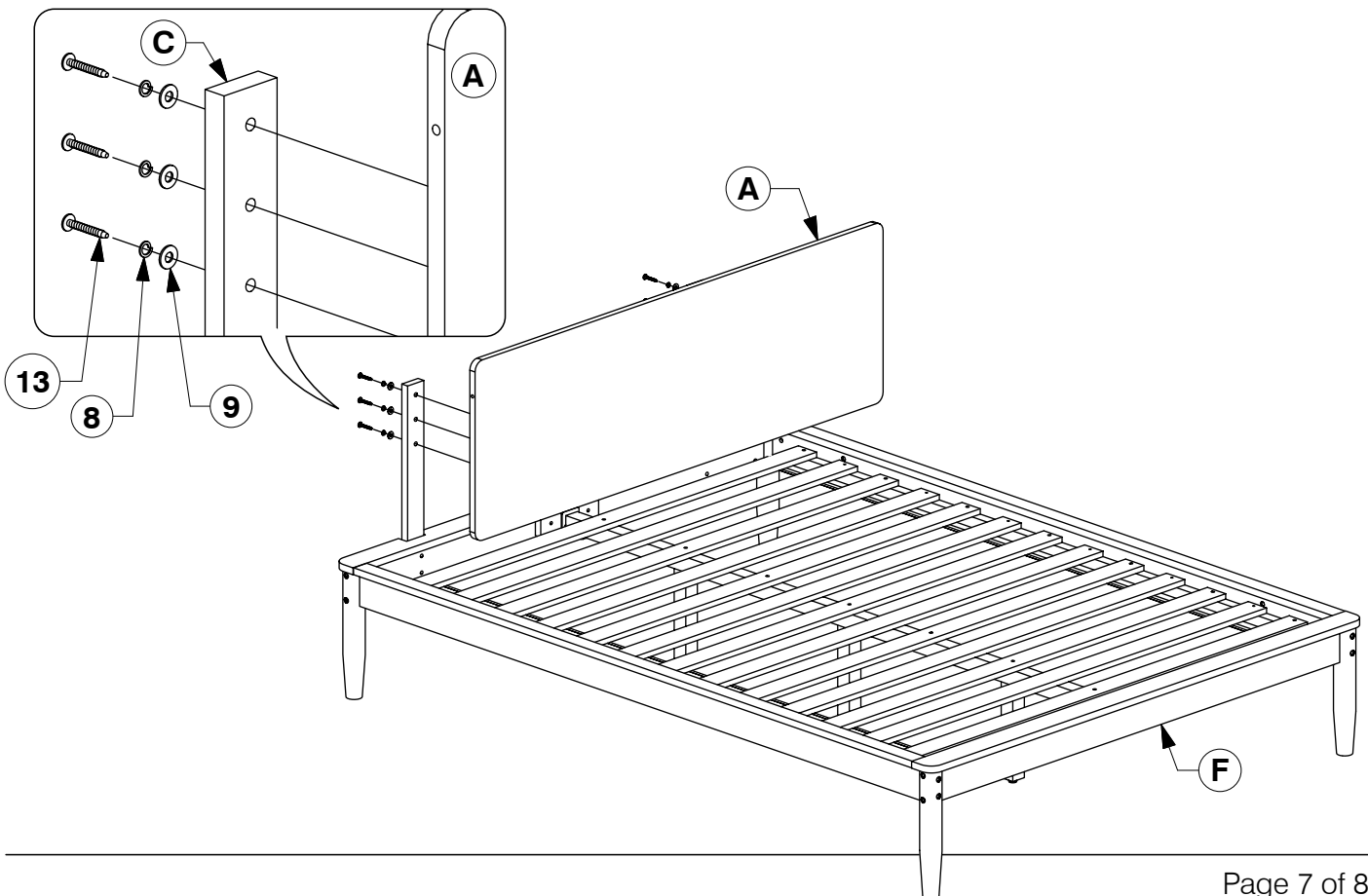
Full Bed

Assembly Instructions

- 14** Assemble the Support Bars (C) to the Headboard Panel (E).



- 15** Assemble the Headboard (A) to the Support Bars (C).



Full Bed

Assembly Instructions

- 16** Fit the Headboard Support Rails (B) to the Headboard Panel (A) & Side Rail (G).

