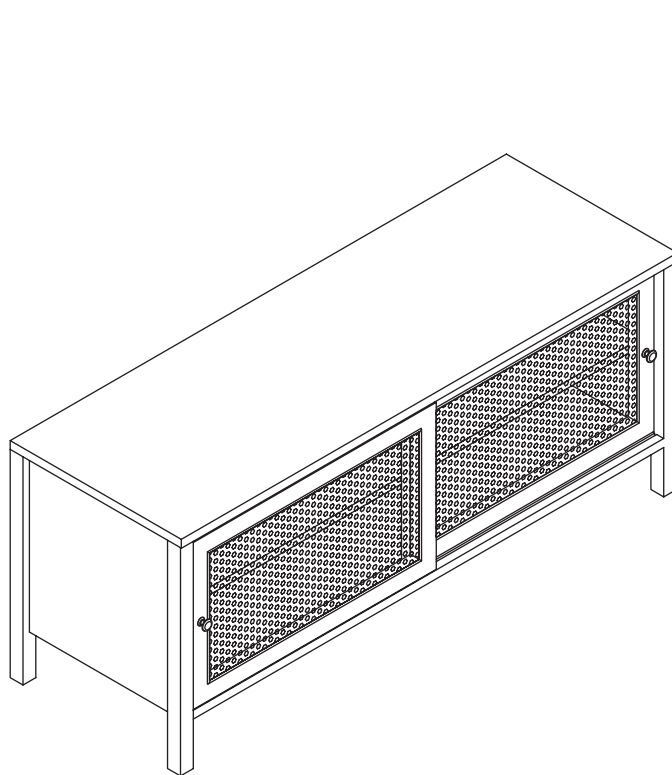


TV UNIT



CONTENTS

Safety and care advice	1
Components – parts	2
Components – fittings	3
Assembly instructions	4
Copyright	10



SAFETY AND CARE ADVICE



PLEASE READ THESE INSTRUCTIONS CAREFULLY AND KEEP FOR FUTURE REFERENCE

Warning: This unit weighs approximately 24.3kg. Please lift with care.

- Check you have all the components and tools listed on pages 2 and 3.
- Remove all fittings from the plastic bags and separate them into their groups.
- Keep children and animals away from the work area, small parts could choke if swallowed.
- Make sure you have enough space to layout the parts before starting.
- Do not stand or put weight on the product, this could cause damage.
- Assemble the item as close to its final position (in the same room) as possible.

·Assemble on a soft level surface to avoid damaging the unit or your floor (use opened out unit carton).



- We do not recommend the use of power drill/drivers **for inserting screws**, as this could damage the unit. Only use hand screwdrivers.
- Dispose of all packaging carefully and responsibly.

CARE AND MAINTENANCE

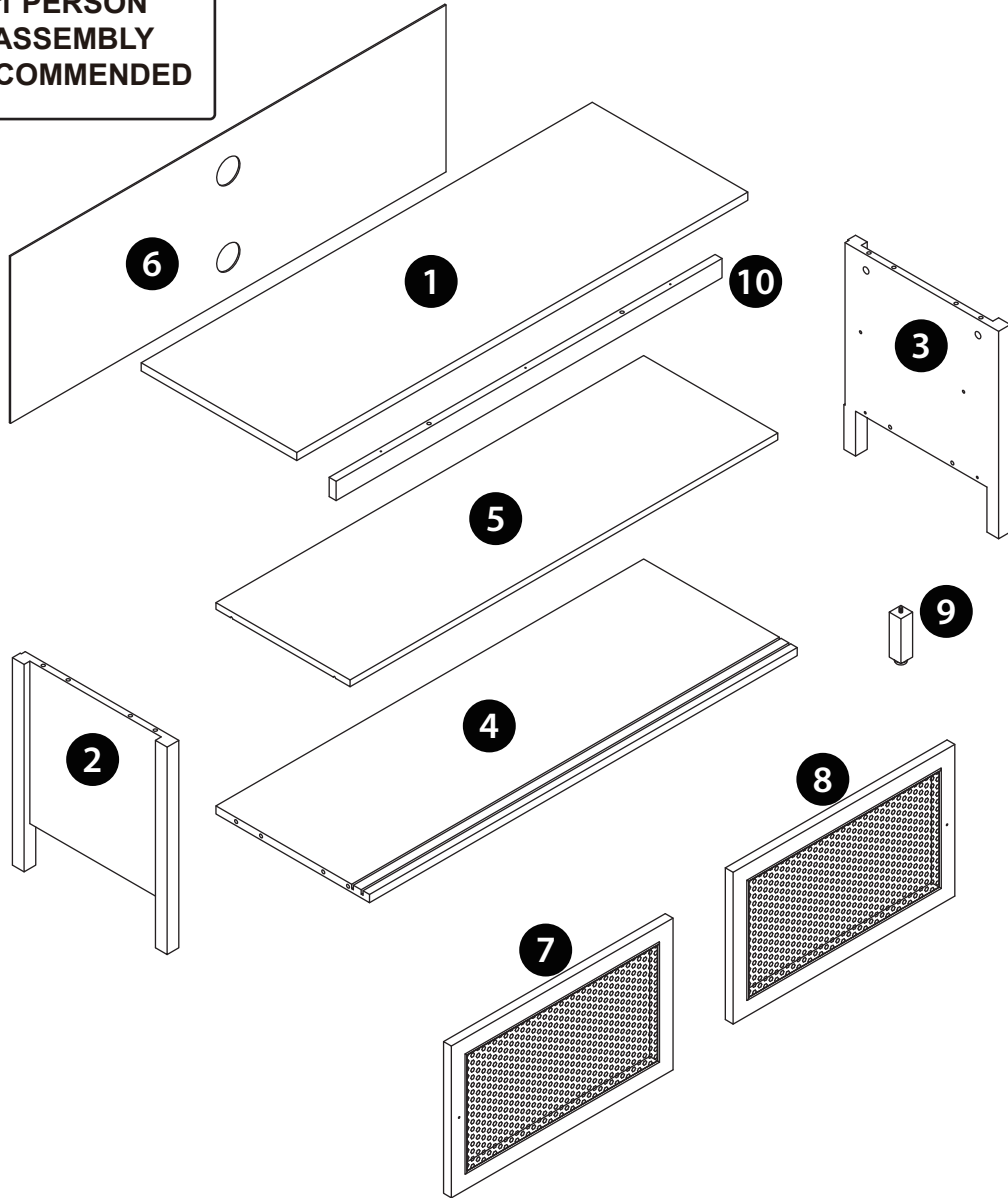
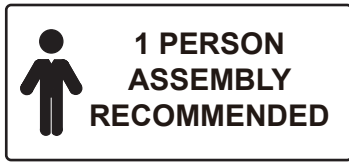
- Only clean using a damp cloth and mild detergent, do not use bleach or abrasive cleaners.
- From time to time check that there are no loose screws on this unit.

·This product should not be discarded with household waste. Take to your local authority waste disposal center.

Note: *If required the next page can be cut out and used as reference throughout the assembly. Keep this page with these instructions for future reference*

COMPONENTS — PARTS

Please check you have all the parts listed below:



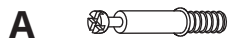
PARTS LIST

1	Top Panel	x1	6	Back Panel	x1
2	Left Side Panel	x1	7	Left Door	x1
3	Right Side Panel	x1	8	Right Door	x1
4	Bottom Panel	x1	9	Adjust Foot	x1
5	Shelf	x1	10	Support Bar	x1



COMPONENTS — FITTINGS

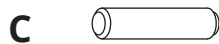
Please check you have all the fittings listed below:



Metal Dowel x 8



Lock (Ø15x10mm) x 8



Wooden Dowel (Ø8x30mm) x 10



Screw (Ø3.5x12mm) x 32



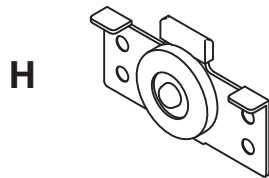
Screw (Ø3.5x40mm) x 3



Handle Screw (Ø4x25mm) x 2



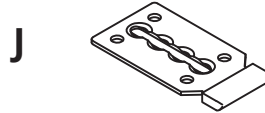
Handle x 2



Door Slide x 4



Screw (Ø2.2x12mm) x 16



Door Slide x 4

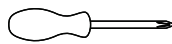


Foot pad x 4

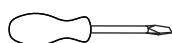


Shelf Pin x 4

TOOLS NEEDED
(We don't provide)



Phillips Screwdriver x 1

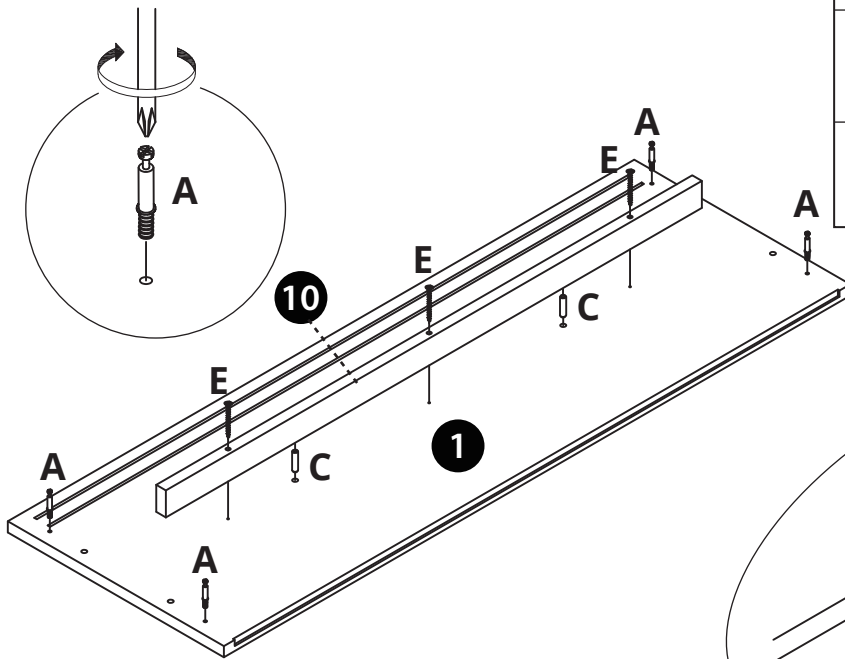


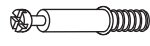



Flat head Screwdriver x 1

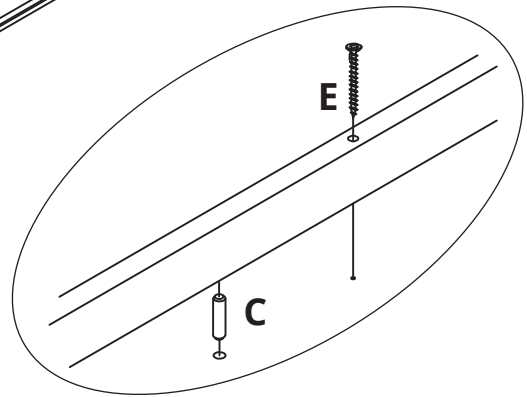


ASSEMBLY INSTRUCTIONS

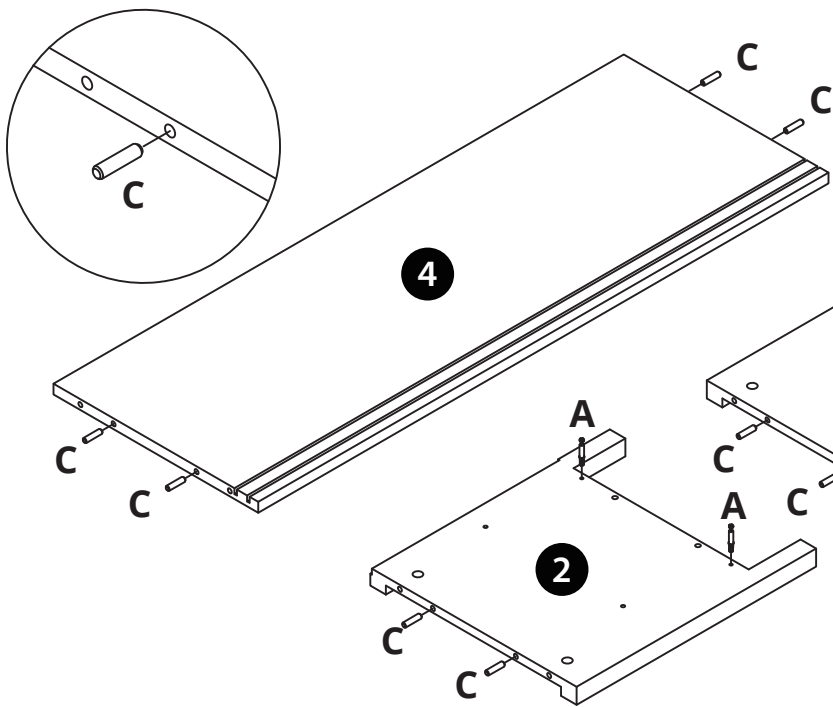
Step 1

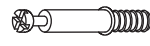

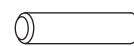


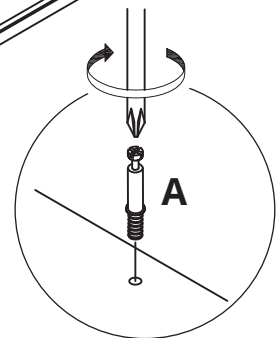
A		4	
C		2	
E		3	



Step 2

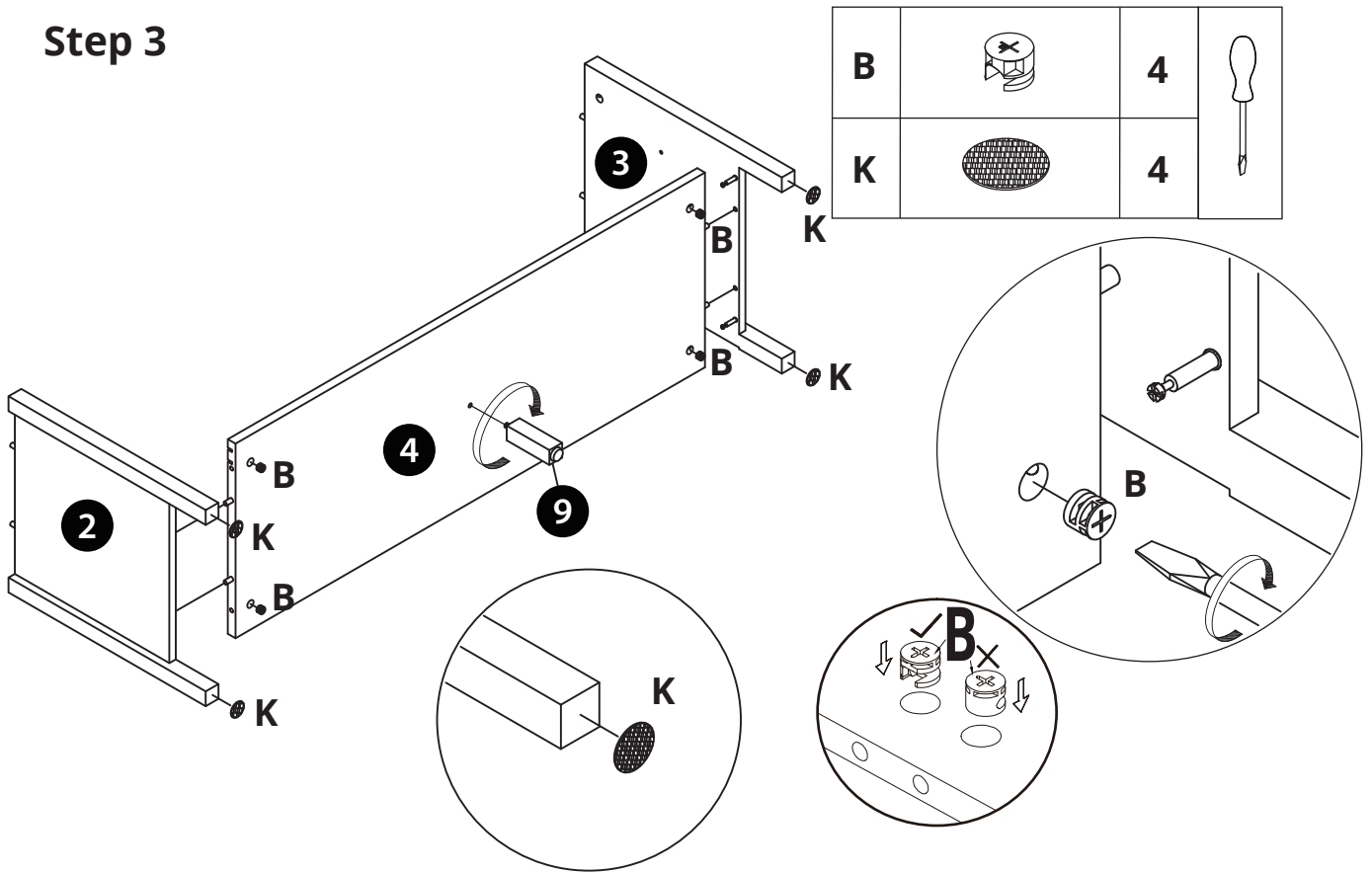


A		4	
C		8	

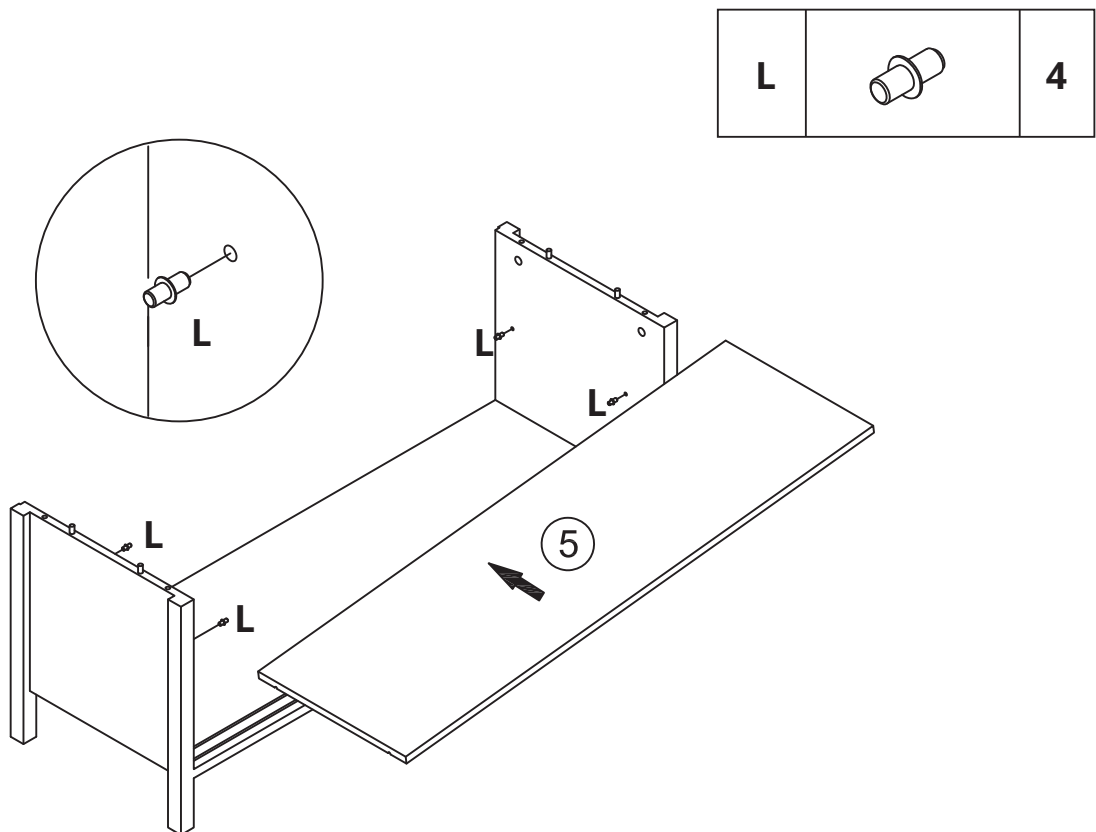


ASSEMBLY INSTRUCTIONS

Step 3

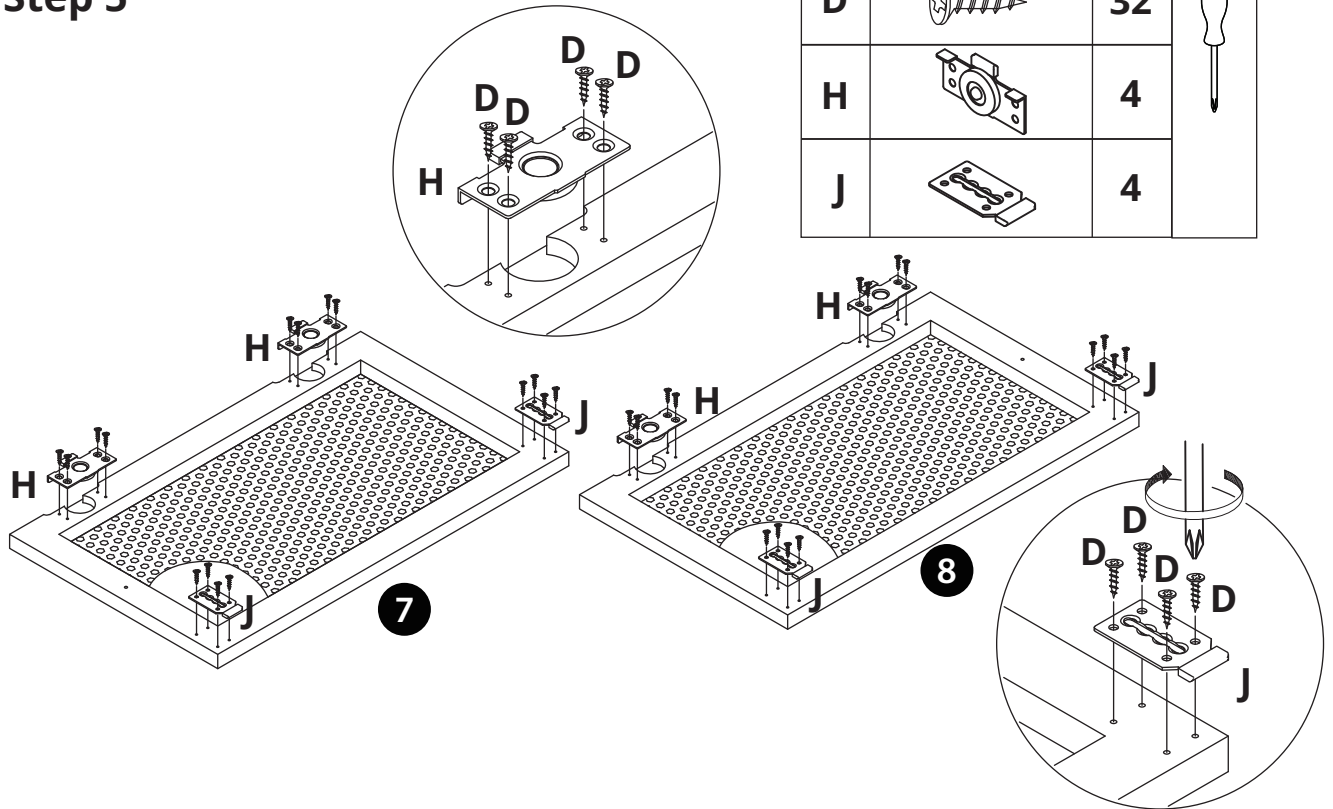


Step 4

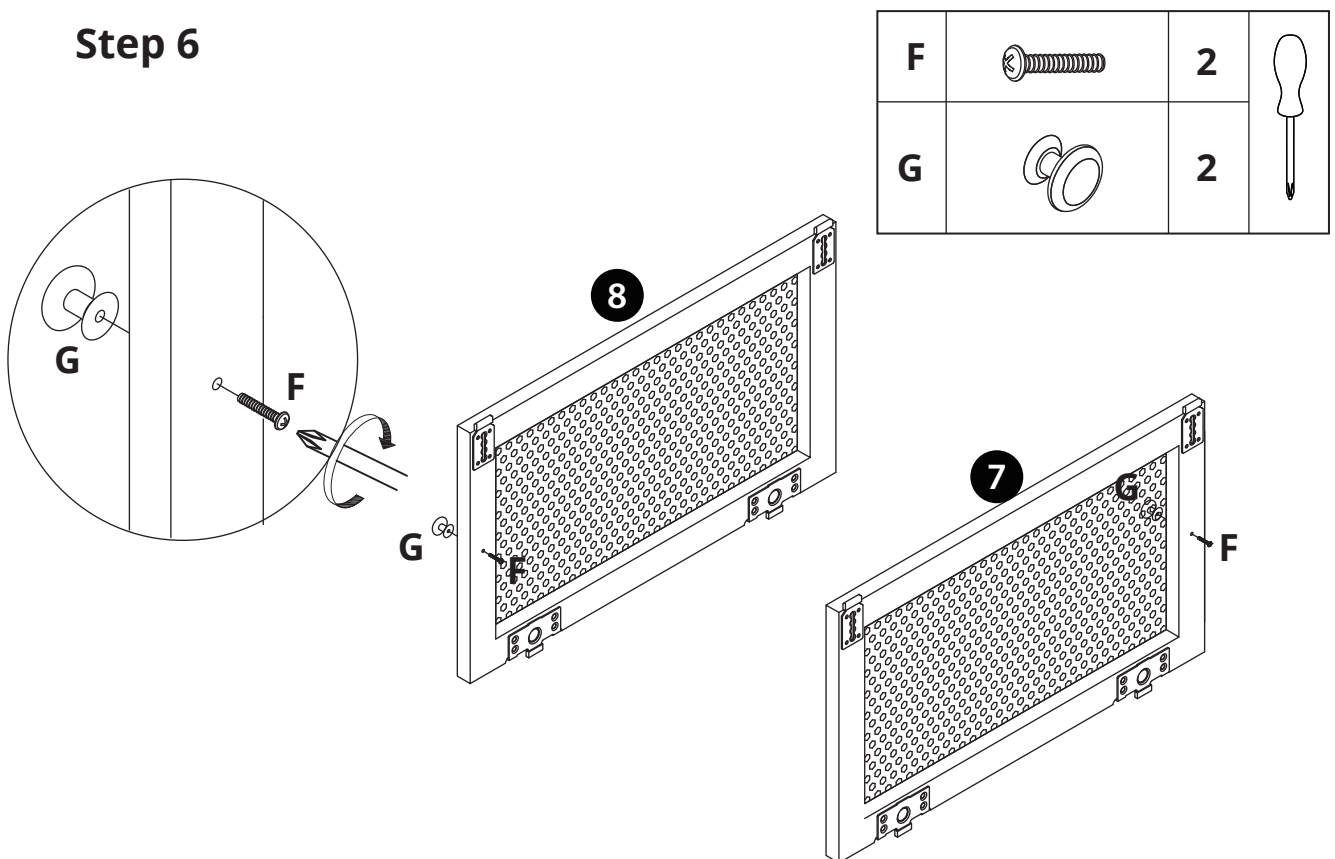


ASSEMBLY INSTRUCTIONS

Step 5

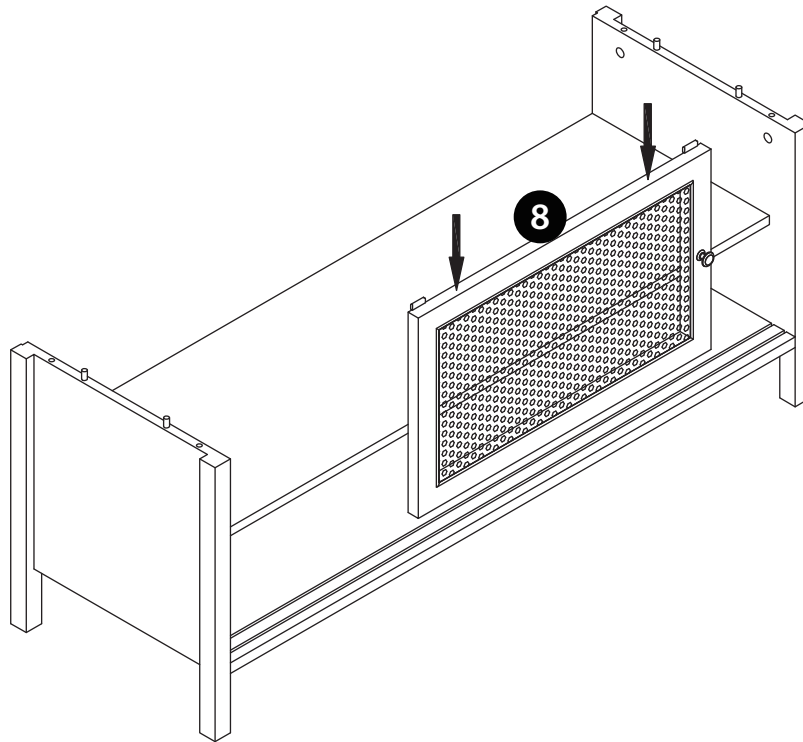


Step 6

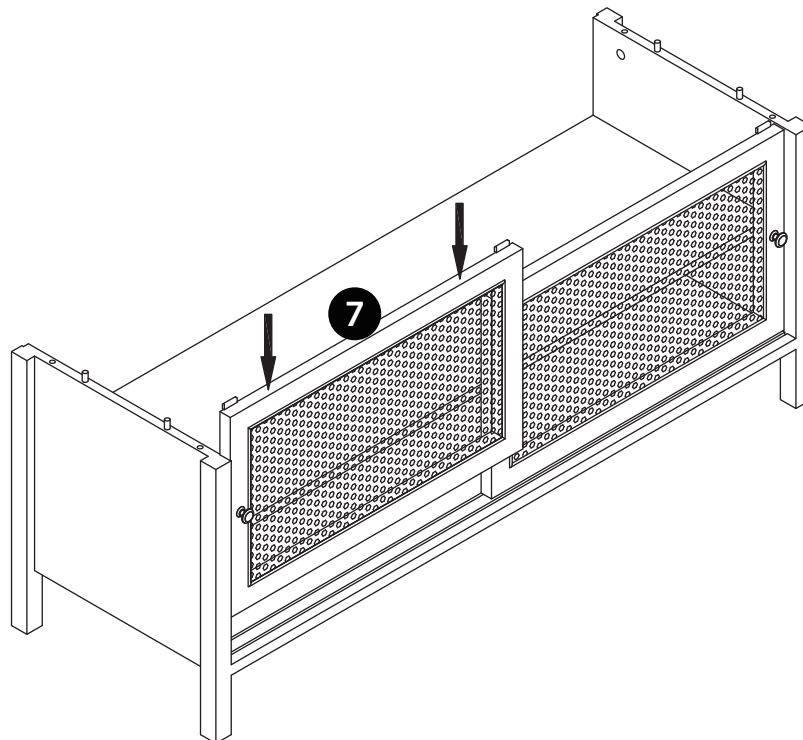


ASSEMBLY INSTRUCTIONS

Step 7

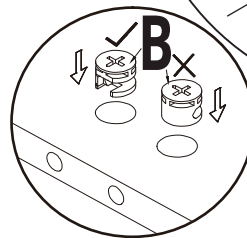
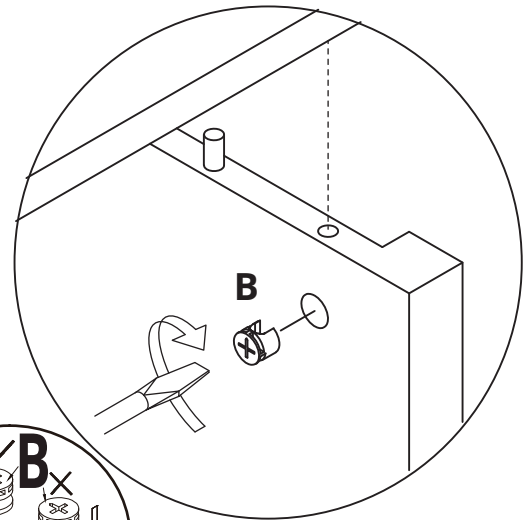
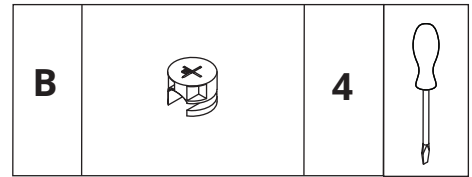
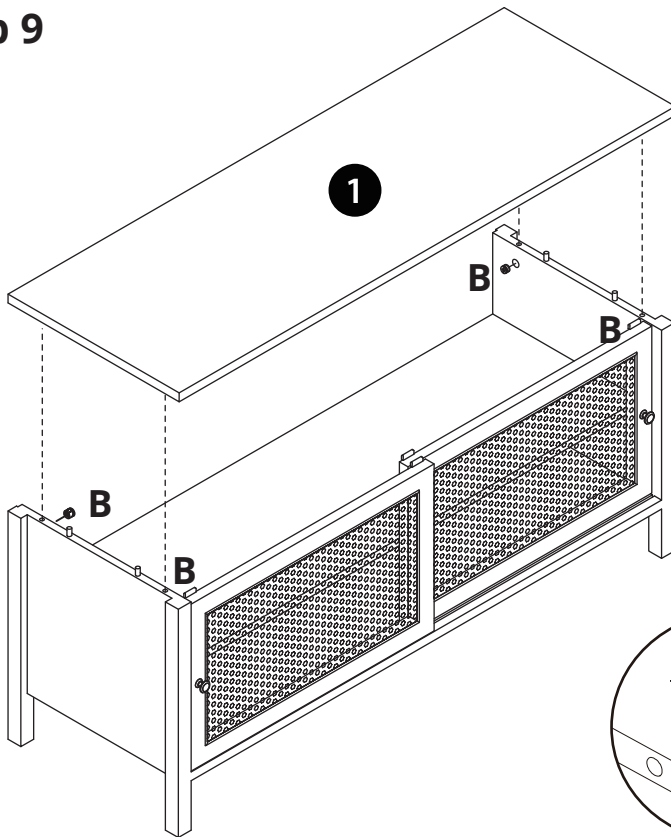


Step 8

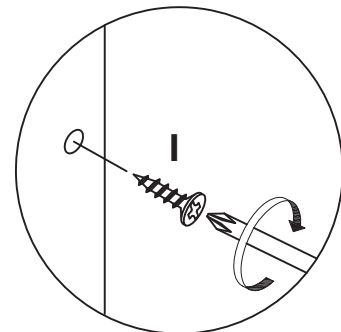
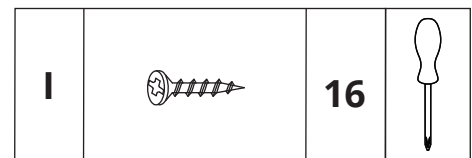
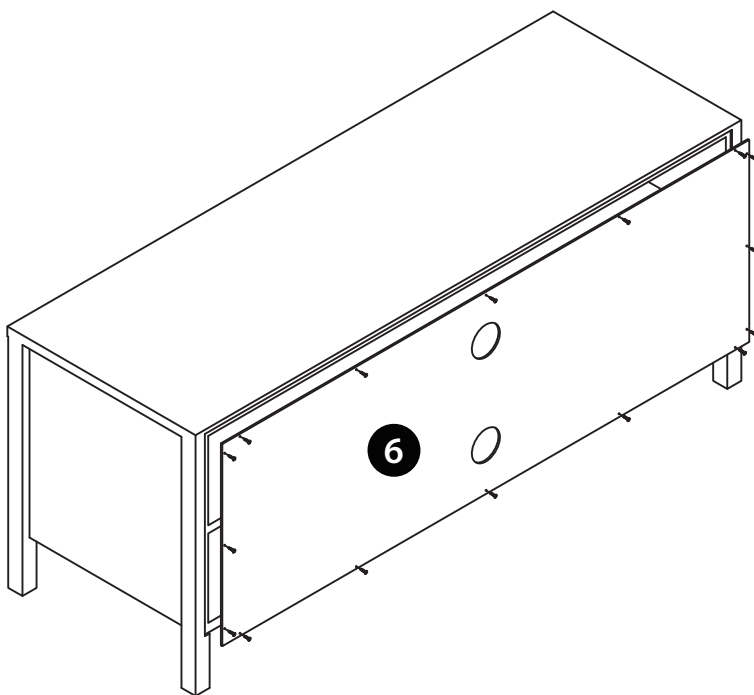


ASSEMBLY INSTRUCTIONS

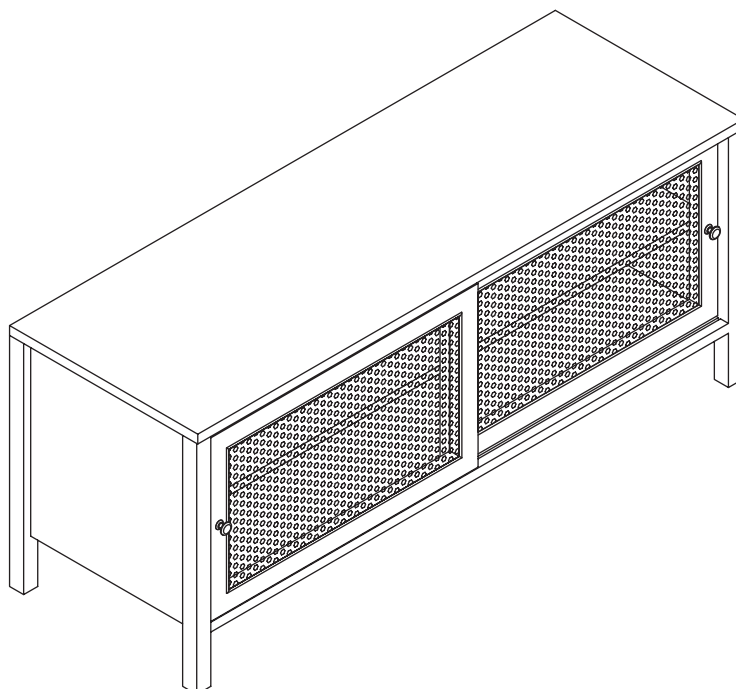
Step 9



Step 10



ASSEMBLY INSTRUCTIONS



Congratulations! Now you have finished assembling the product.

COPYRIGHT

All material in this instruction manual is copyrighted.

Any unauthorised use may violate worldwide copyright, trademark and other laws.