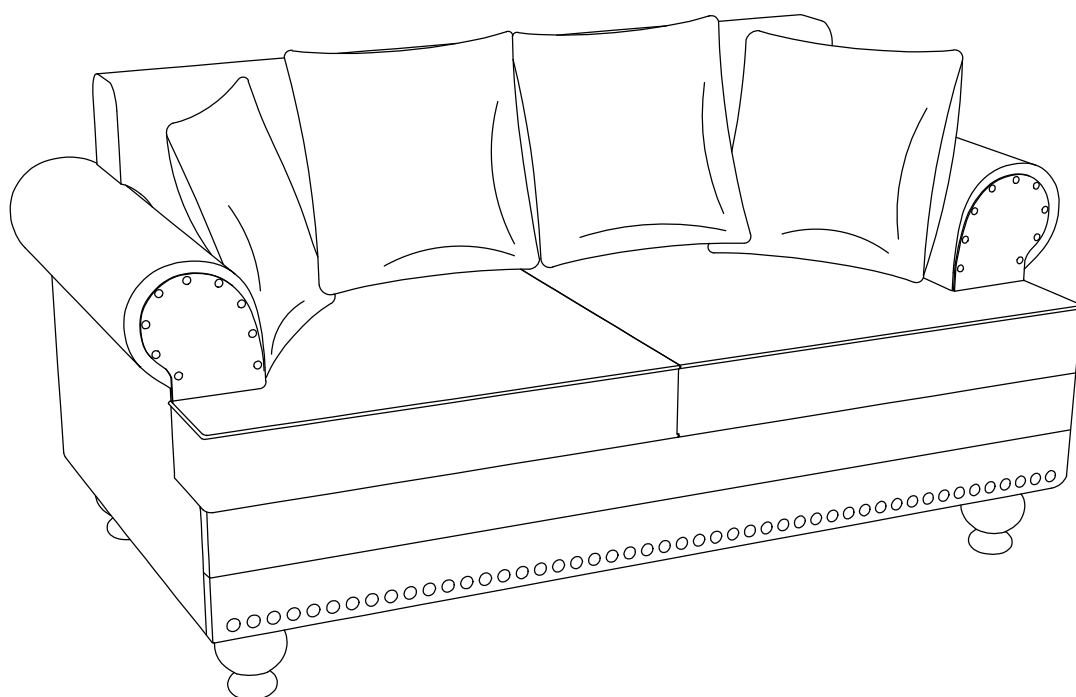
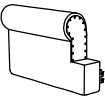

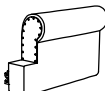



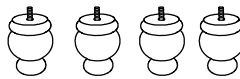

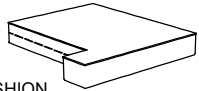
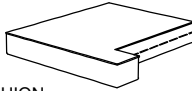
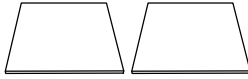
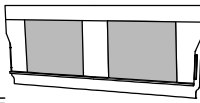
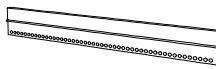





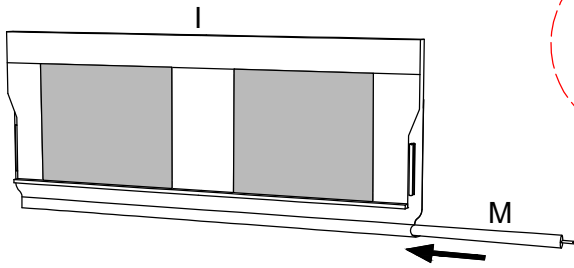
LOVESEAT

ASSEMBLY INSTRUCTIONS

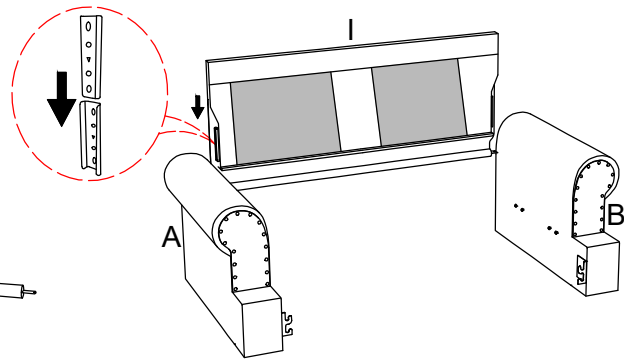


CARTON	ID	PARTS IDENTIFICATION	QTY	ID	HARDWARE PACKAGE	QTY
LX03-L-ARM	A	LEFT ARM 	1PC	①	 SELF TAPPING SCREWS	2PCS
	B	RIGHT ARM 	1PC	②	 SCREW WASHERS	2PCS
	C	PILLOWS 	4PCS	③	 HEXAGON CROSS WRENCH	1PC
	D	SOFA LEGS 	4PCS			
	E	PLASTIC WASHERS 	4PCS			
LX03-L1	F	LEFT SEAT CUSHION 	1PC			
	G	RIGHT SEAT CUSHION 	1PC			
	H	SEAT CUSHION BOTTOM PLATE 	2PCS			
LX03-L2	I	BACK FRAME 	1PC			
	J	FRONT PANEL 	1PC			
	K	BACK CUSHION 	2PCS			
	L	IRON SUPPORT ROD 	2PCS			
	M	REAR SUPPORT BRACKET 	1PC			

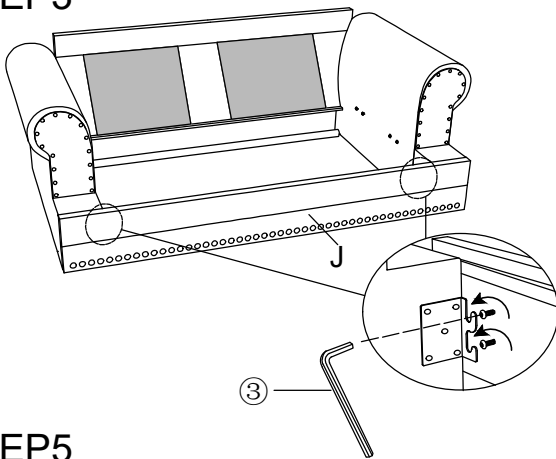
STEP1



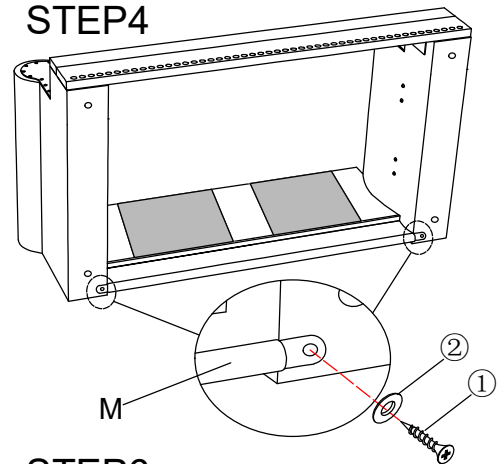
STEP2



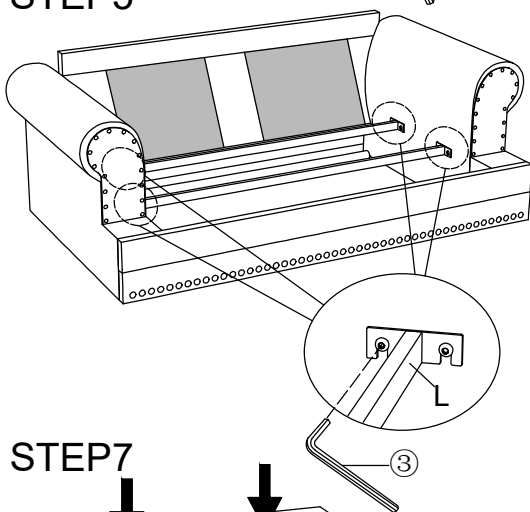
STEP3



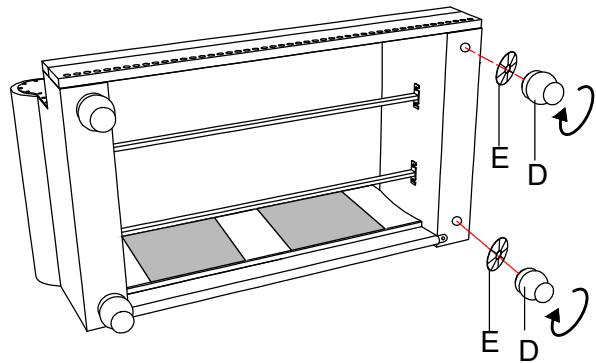
STEP4



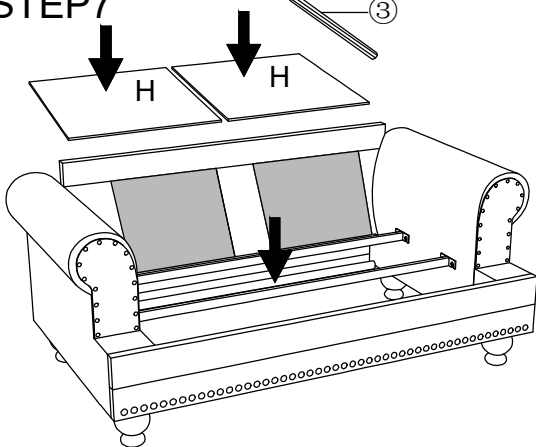
STEP5



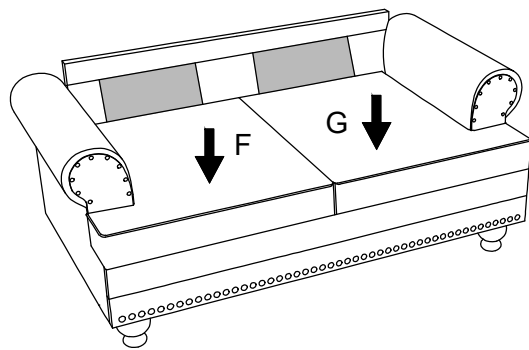
STEP6



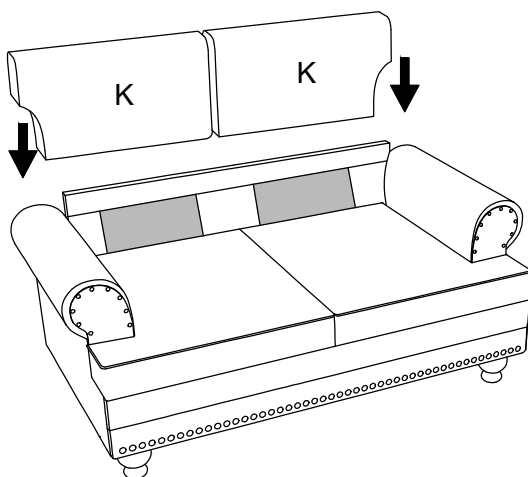
STEP7



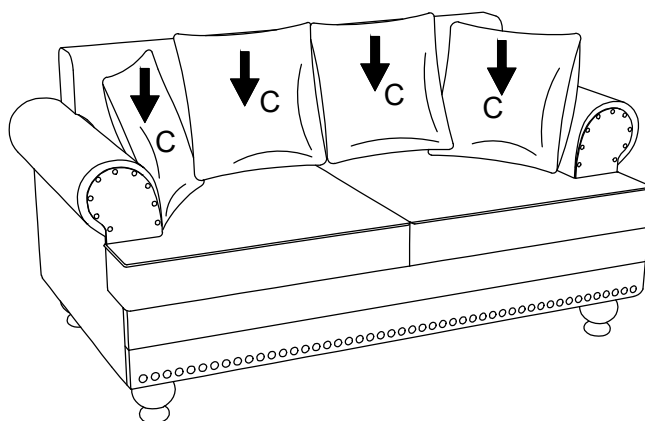
STEP8



STEP9



STEP10



ASSEMBLY INSTRUCTIONS

ASSEMBLY TIPS

1. Remove hardware from box and sort by size.
2. Please check to see that all hardware and parts are present prior to start of assembly.
3. Please follow attached instructions in the same sequence as numbered to assure fast & easy assembly.



WARNING!

1. Don't attempt to repair or modify parts that are broken or defective. Please contact the store immediately.
2. This product is for home use only and not intended for commercial establishments.

ASSEMBLY TIME: 20 MINUTES

