




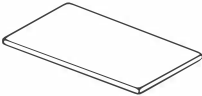
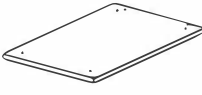
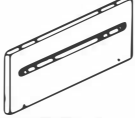

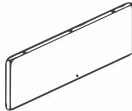
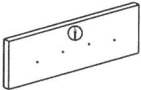
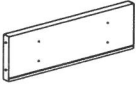


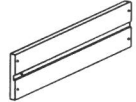
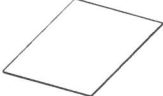


ASSEMBLY INSTRUCTION

Thank you for purchasing this quality product. Be sure to check all packing material carefully for small parts which may have come loose inside the carton during shipment. Separate, identify and count all parts and metal hardware. Compare with parts list to be sure all parts are present. If any part(s) are missing or damaged, please contact your local furniture dealer. For efficient and speedy service, please indicate the model number and code letter of part(s) needed.

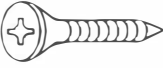


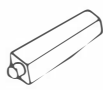

*****Do not fully tighten screws until fully assembled*****

DESCRIPTION	COMPONENT PARTS		Q'TY (PCS)
	PART NAME		
①	SIDE PANEL		2
②	TOP STRETCHER		2
③	MIDDLE STRETCHER		2
④	BOTTOM STRETCHER		2
⑤	TOP GLASS		1
⑥	TOP BOARD		1
⑦	BOTTOM BOARD		1
⑧	RIGHT SIDE BOARD		1
⑨	LEFT SIDE BOARD		1
⑩	BACK PANEL		1

⑪	DRAWER FRONT		2
⑫	DRAWER FRONT BOARD		1
⑬	DRAWER BACK BOARD		1
⑭	DRAWER LEFT BOARD		1
⑮	DRAWER RIGHT BOARD		1
⑯	DRAWER BOTTOM BOARD		1

HARDWARE REQUIRED

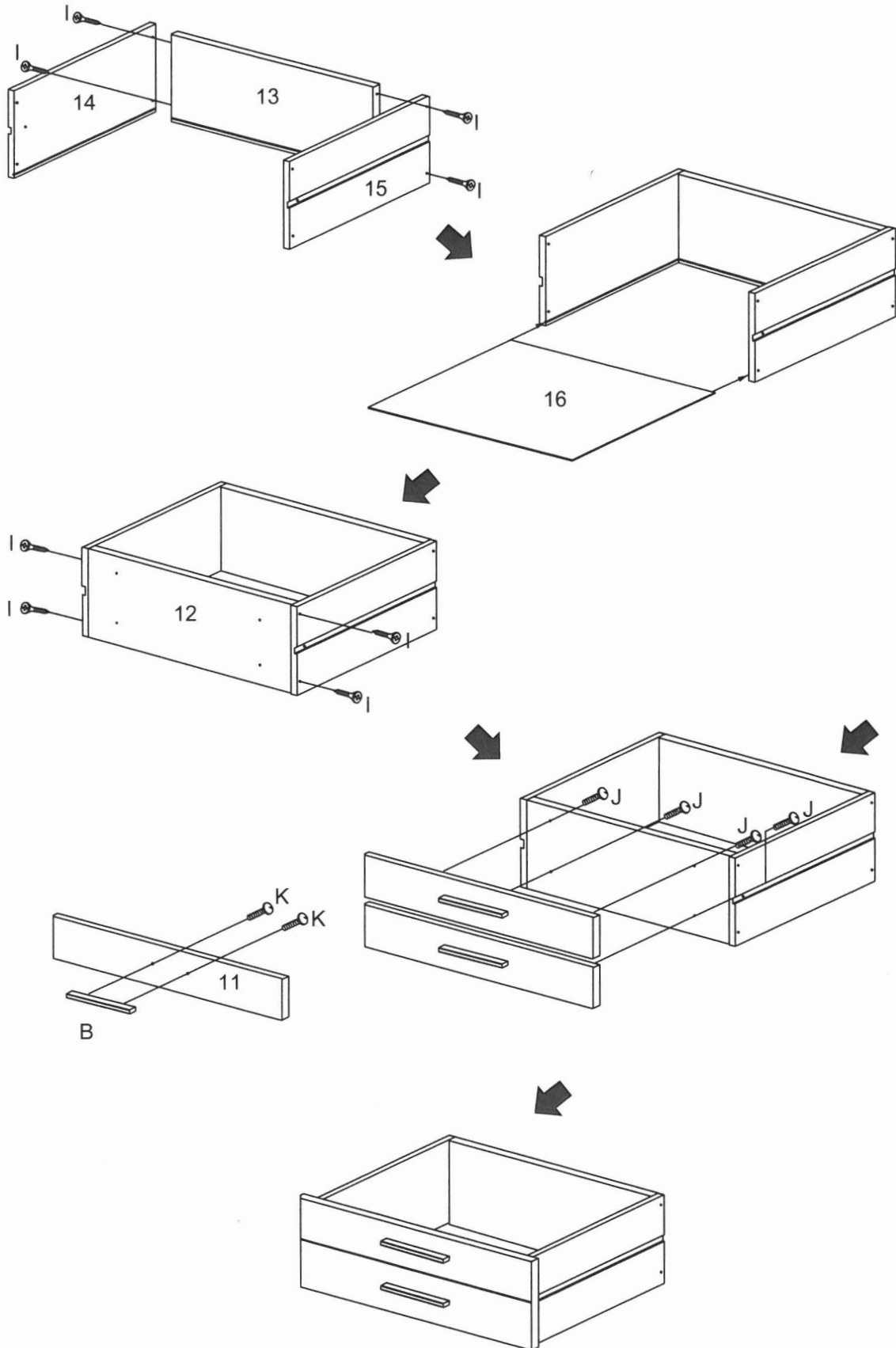
①		LEVELER	1/4" x 12mm	4 PCS
②		KNOB	120mm	2 PCS
③		WOOD DOWEL	30mm	11 PCS
④		CAM BOLT	Ø7x39mm	4 PCS
⑤		CAM LOCK	Ø15x12mm	4 PCS
⑥		BOLT	44mm	12 PCS
⑦		BOLT	12mm	4 PCS

(H)		BOLT	38mm	6 PCS
(I)		SCREW	25mm	8 PCS
(J)		BOLT	21mm	4 PCS
(K)		BOLT	19mm	4 PCS
(L)		BOLT	10mm	2 PCS
(M)		BOLT COVER	11mm	12 PCS
(N)		GLASS TIP		4 PCS
(O)		GLUE		1 PC
(P)		ALLEN KEY	1/4"	1 PC

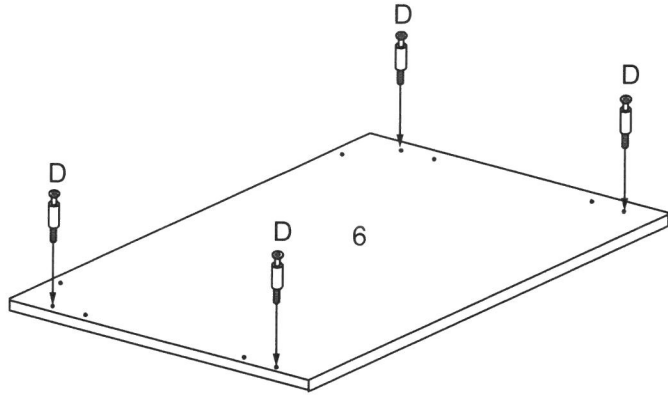


How to assemble:

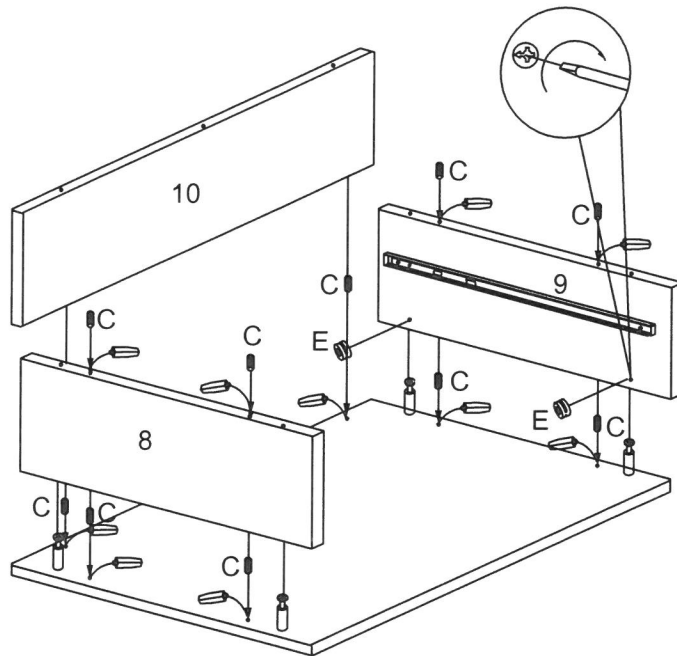
STEP 1



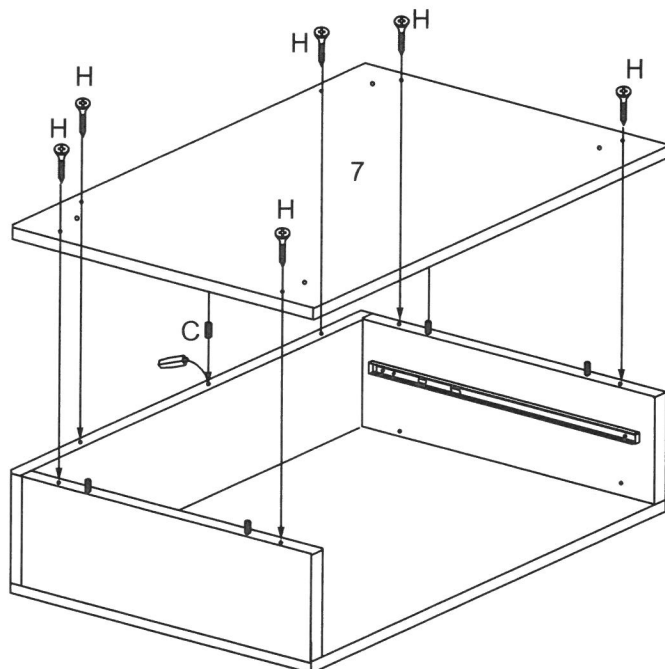
STEP 2



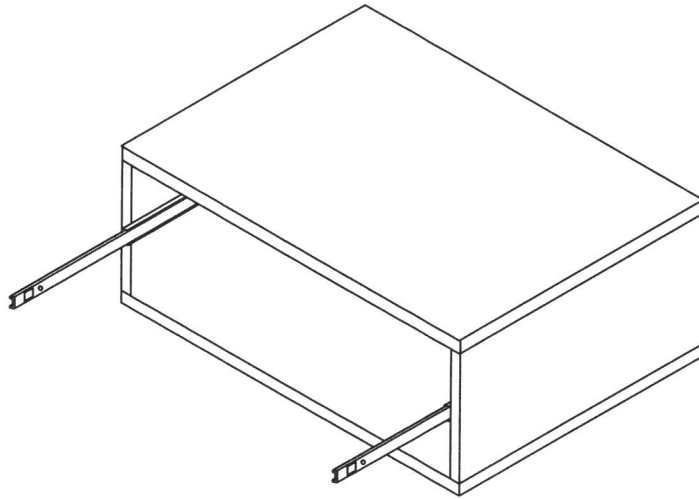
STEP 3



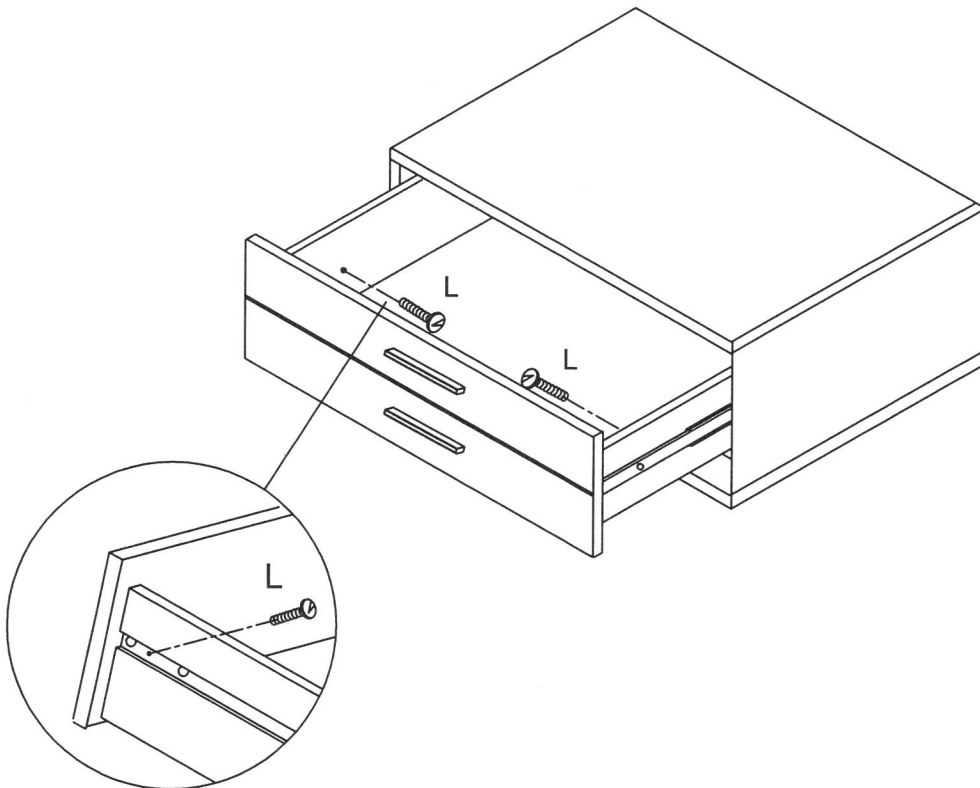
STEP 4



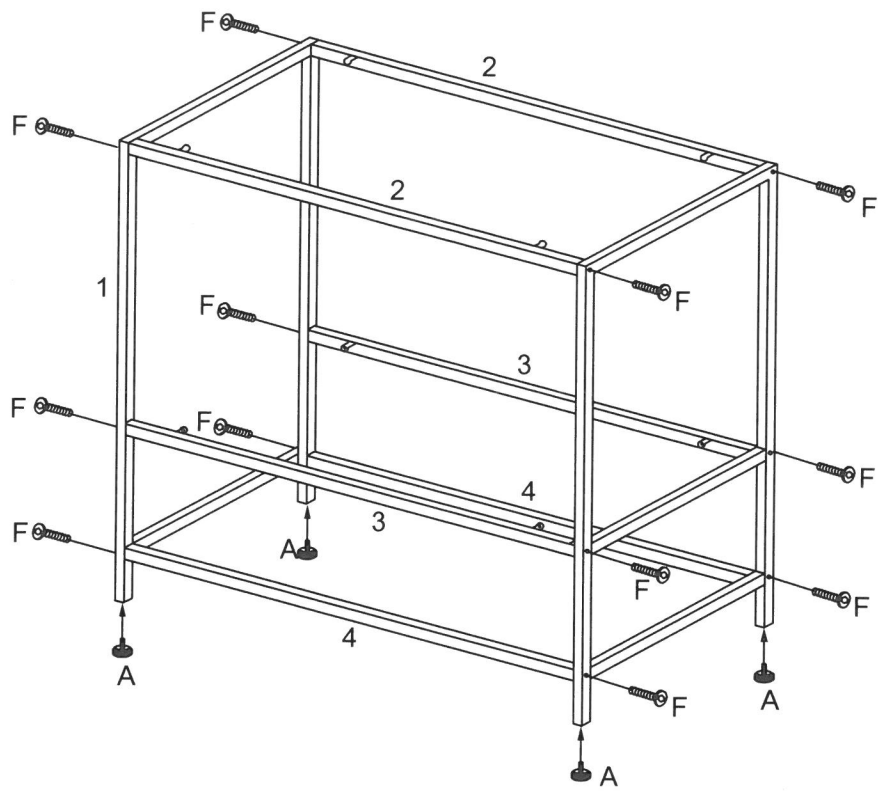
STEP 5



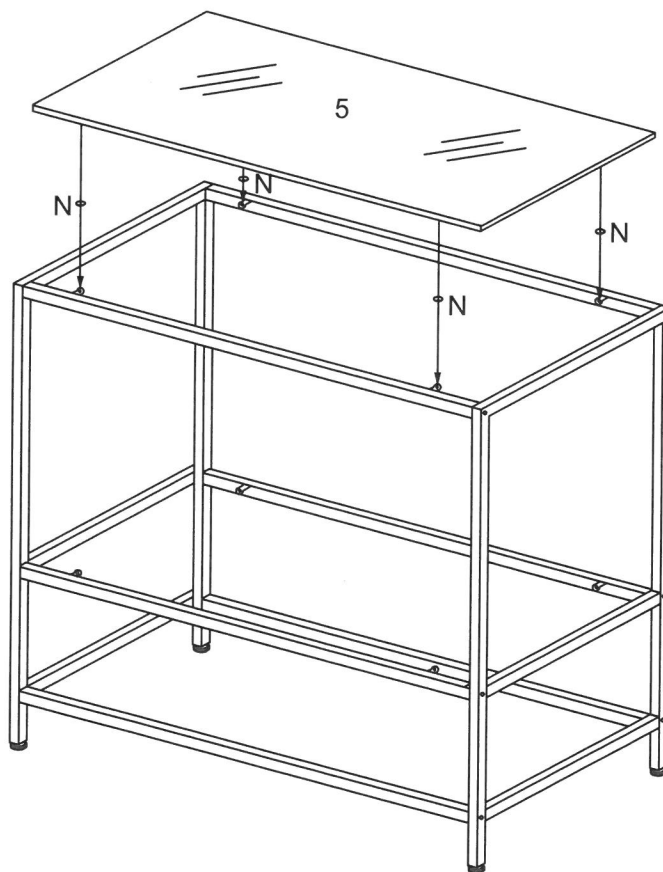
STEP 6



STEP 7



STEP 8



STEP 9



STEP 10

