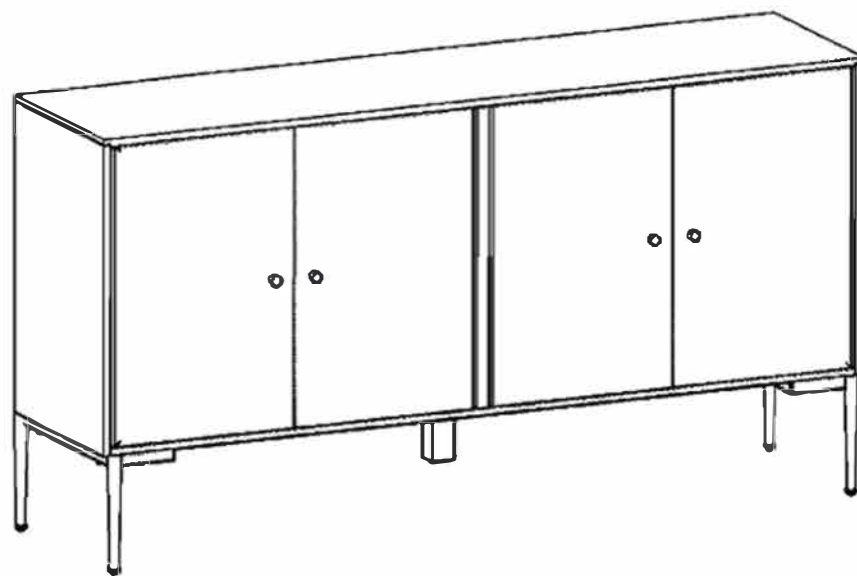


# **ASSEMBLY INSTRUCTIONS**




SIDEBOARD








THANK YOU FOR YOUR PURCHASE!

## PARTS AND HARDWARE.

### PARTS LIST

No.	DESCRIPTION	IMAGE	Q'TY
P1	BODY		1
P2	METAL LEGS		2
P3	MIDDLE LEG		1

### HARDWARE LIST

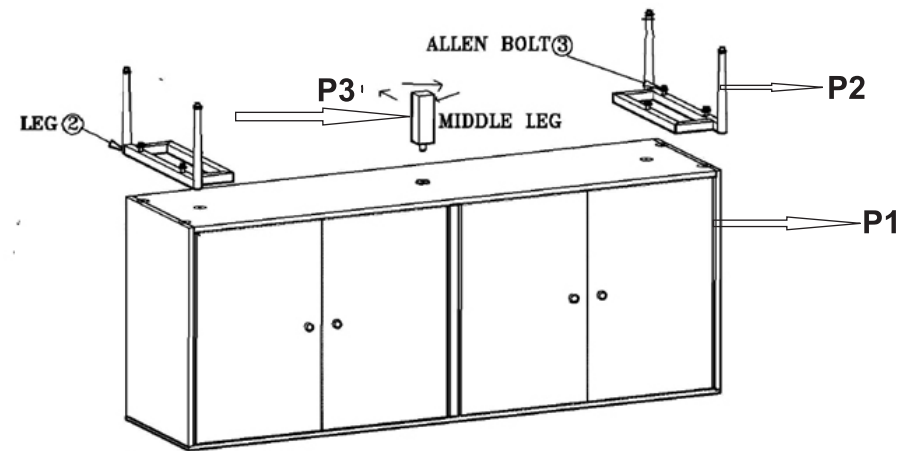
NO.	DESCRIPTION	IMAGE	QTY.
H1	ALLEN BOLT (DIA 6X35 MM)		6
H2	ALLEN WASHER (DIA 16X6X1 MM)		6
H3	ALLEN KEY (5X85 MM)		1
H4	ADJUSTER (15X12X6 MM)		4
H5	ANTI TIPPING KIT		1 SET

## NOTES.

Thank you for purchasing this quality product! Be sure to check all packing material carefully for small part that may have come loose inside the carton during shipping.

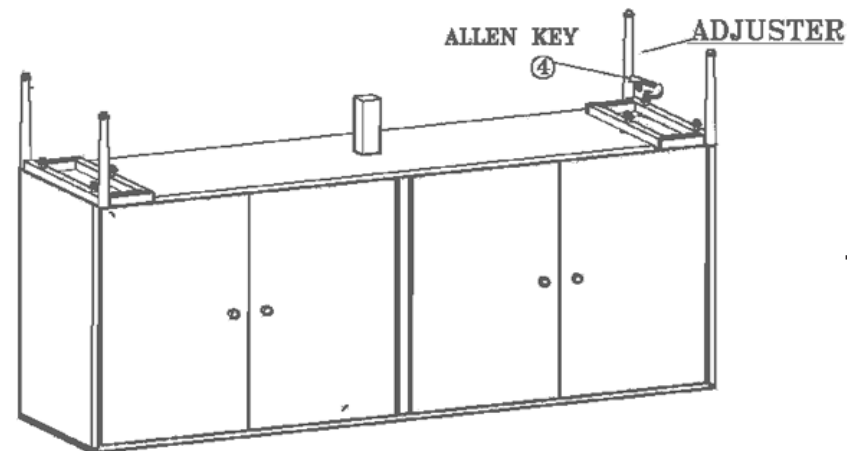
**CAUTION:** The item is heavy, assembly should be performed by two people.

## STEP 1.



PLACE THE LEGS ON THE MATCHING HOLES

## STEP 2.



USE THE ALLEN KEY TO SCREW THE ALLEN BOLT.

