

## **WARNING!!**

### **Furniture Tipping Risk.**

**Serious risk of severe or fatal crush injuries can occur from furniture tipping over if not secured.**

**Children like to climb on furniture and Unsecured furniture can pose a serious danger.**

**Please follow all instructions and install the tip-over restraints provided.**

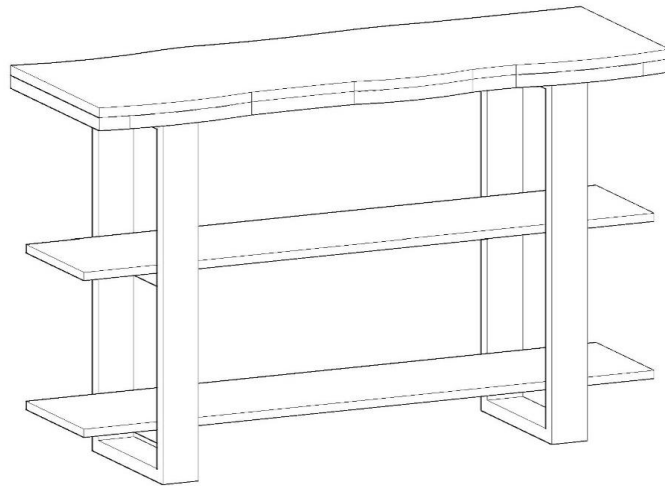
**In addition to installing the restraints, to help prevent tip-over:**

- 1. Place heaviest items in the lowest drawers,**
- 2. Unless specifically designed to accommodate, do not set TV's or other heavy objects on top of this product,**
- 3. Never allow children to climb or hang on drawers, doors, or shelves,**
- 4. Do no leave drawers open,**
- 5. Never open more than one drawer at a time, and**
- 6. Do not step on the base.**

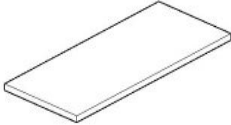

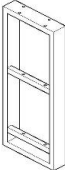
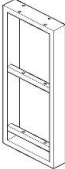
# Assembly Instructions

**Caution:** • You must read this before you proceed.


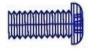

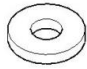
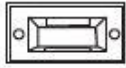




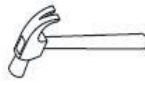

## MEDIA CONSOLE



### Parts List

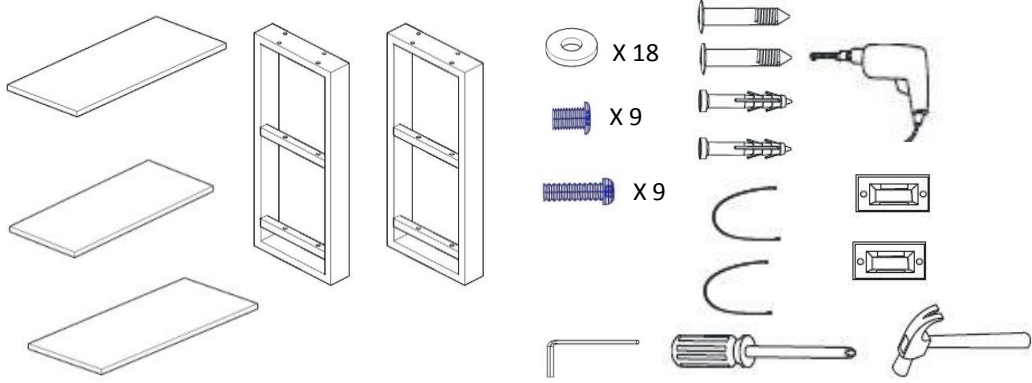
Label	Picture	Description	QTY
A		Table Top	1
B		Shelf	2
C		Leg	1
D		Leg	1

# Hardware

Label	Picture	Description	QTY
①		Long Bolt (M6x40mm)	9
②		Short Bolt (M6x35mm)	9
③		Allen Key	1
④		Washer	18
⑤		Brackets	2
⑥		Long Screws (M4x40mm)	4
⑦		Wall Anchors (4x40mm)	4
⑧		Tipover Restraint Strap	2
⑨		Power Drill (Not Provided)	1
⑩		Hammer (Not Provided)	1
⑪		Screwdriver (Not Provided)	1

# Assembly Preparation

**Before Beginning Assembly:**



- Washer X 18
- Short Bolt X 9
- Long Bolt X 9
- Long Screw X 4
- Wall Anchor X 4
- Tipover Restraint Strap X 2
- Power Drill (Not Provided) X 1
- Hammer (Not Provided) X 1
- Screwdriver (Not Provided) X 1



- Read instructions, cover to cover-



- Have 2 adults on hand for assembly-



- Do not assemble on flooring or carpet-



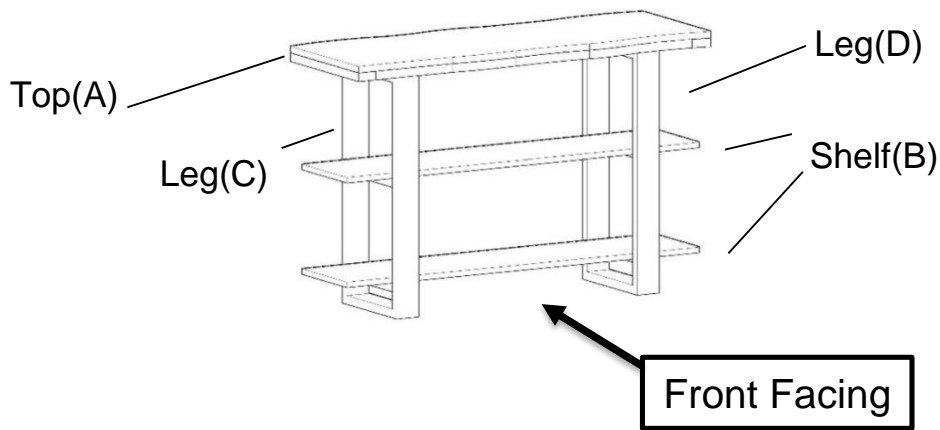
- Assemble on a clean non-marring surface (packing foam)-



- Save all packaging until finished-

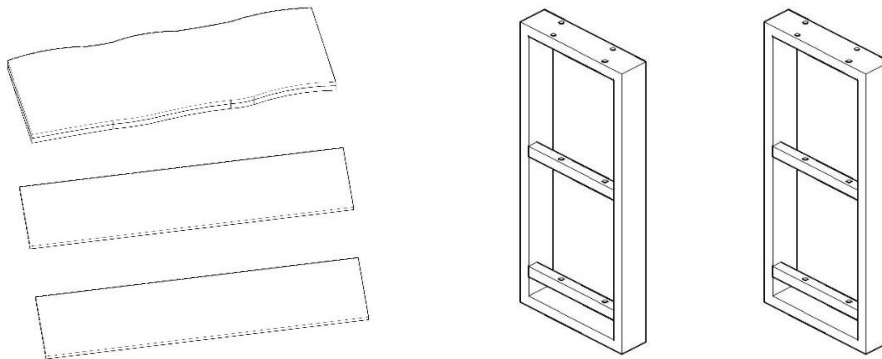
## Assembly Steps

### Overview



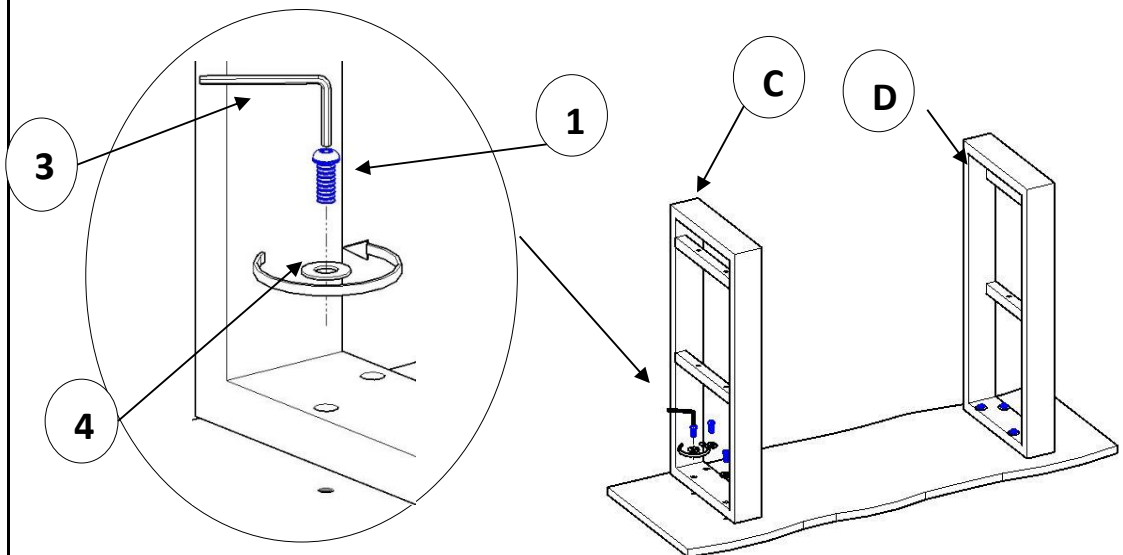
This Media Console has multiple parts and may require up to 30 minutes to assemble. To give you an overview of the Media Console parts, the above picture is to help you put the various parts into perspective. Please read through the instructions below to familiarise yourself with the parts and steps before assembly.

### Step 1



Unpack and place all parts on a clean, non-marring surface.

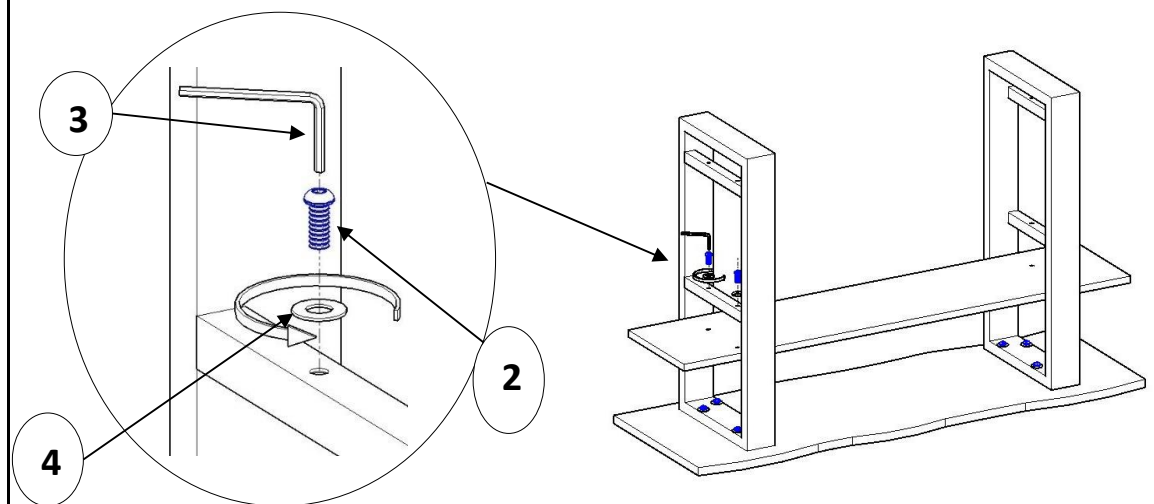
## Step 2



Place Leg(C) on the Left side of Table Top (A) as shown in the picture. Fix the Leg (C) using Long Bolt (①) and Washer (④) with the help of Allen key(③). Repeat the step and the attach the other Leg(D) on the Table Top (A).

**DO NOT FULLY TIGHTEN BOLTS.**

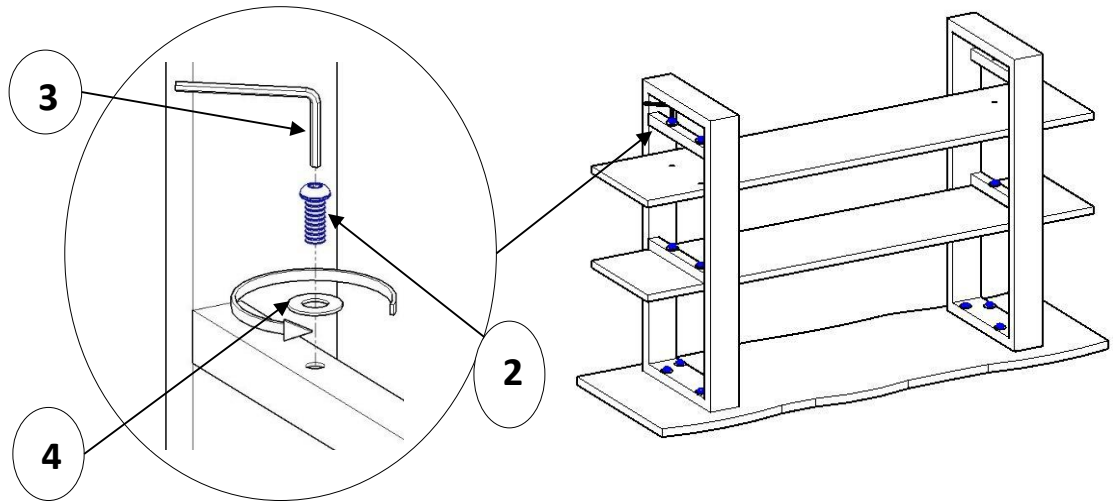
## Step 3



Place shelf (B) as shown in the picture. Fix the Shelf (B) on both the Legs using Short Bolt (②) and Washer (④) with the help of Allen key(③).

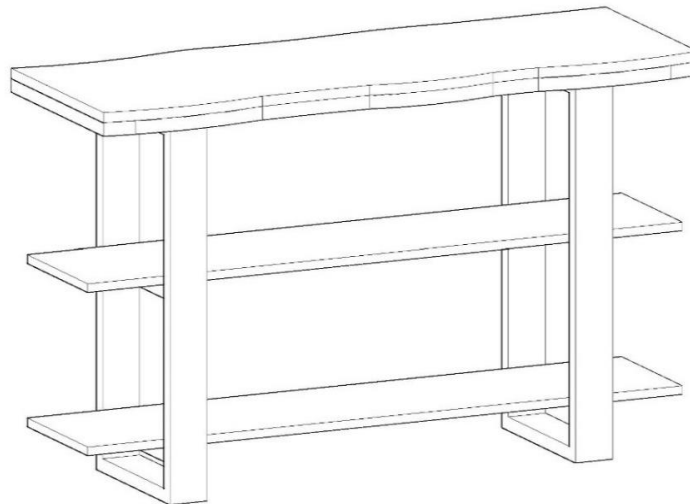
**DO NOT FULLY TIGHTEN BOLTS.**

#### Step 4



Repeat the step Step 3 to attach the other Shelf (B) on both the Legs using Short Bolt (②) and Washer (④) with the help of Allen key(③).  
**DO NOT FULLY TIGHTEN BOLTS.**

#### Step 5



Flip the Console Table and place it like in the diagram.

**CAUTION 1: When tightening these screws, tighten sequentially.**

If there is still wobbles, loosen the Bolts and execute this same process.

**WARNING!! IF TABLE IS NOT STABLE , IT COULD LEAD TO DAMAGING THE PRODUCT.**

Ensure all Bolts are fully locked into position.

The console table is ready to be used.

**Caution 2: This Console table can only be used on a flat, level surface.**

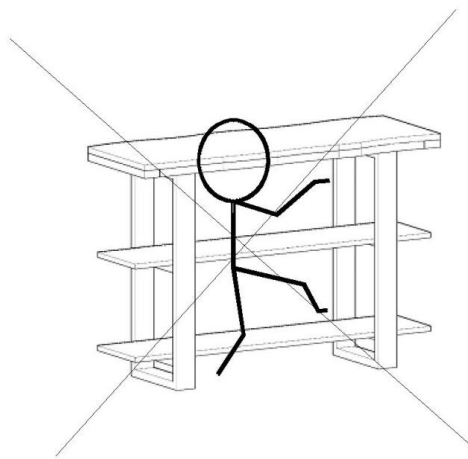
## Tipover Restraint Device Installation Instructions

### **WARNING**

Serious or fatal crushing injuries can occur from tipping furniture.

To help prevent tip-over: **ALWAYS** secure this furniture to the wall using Tipover Restraint Device.

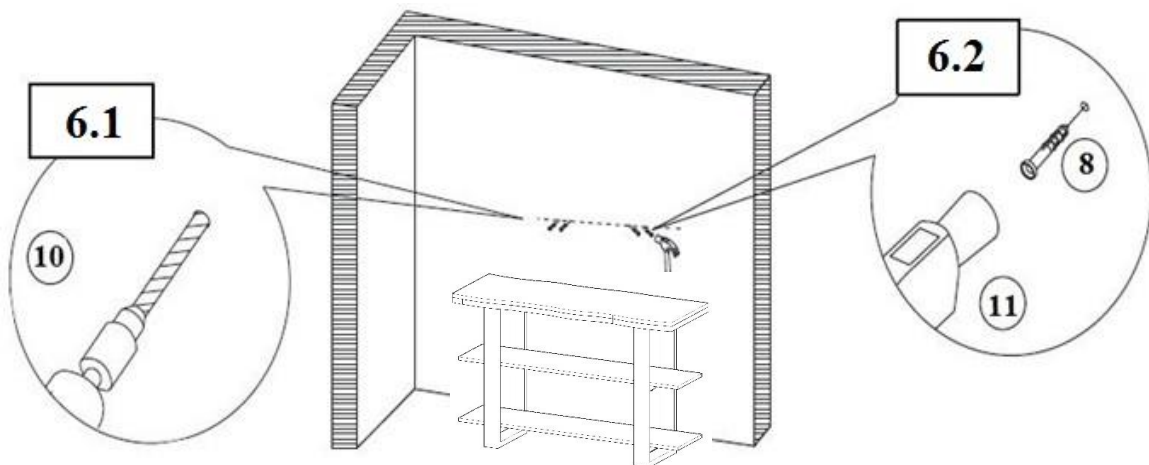
See product instructions for more ways to help prevent furniture tip-over.



### **Usage For Tipover Restraint Device:**

To secure Console against wall, attach two Brackets(⑤) on wall and product, use Tipover Restraint Strap(⑧) to connect the Brackets(⑤).

#### Step 6



6.1) Drill two holes on wall at same height as Brackets (⑤) on Console with power drill (⑨).

**You can mark these points in two ways as below:**

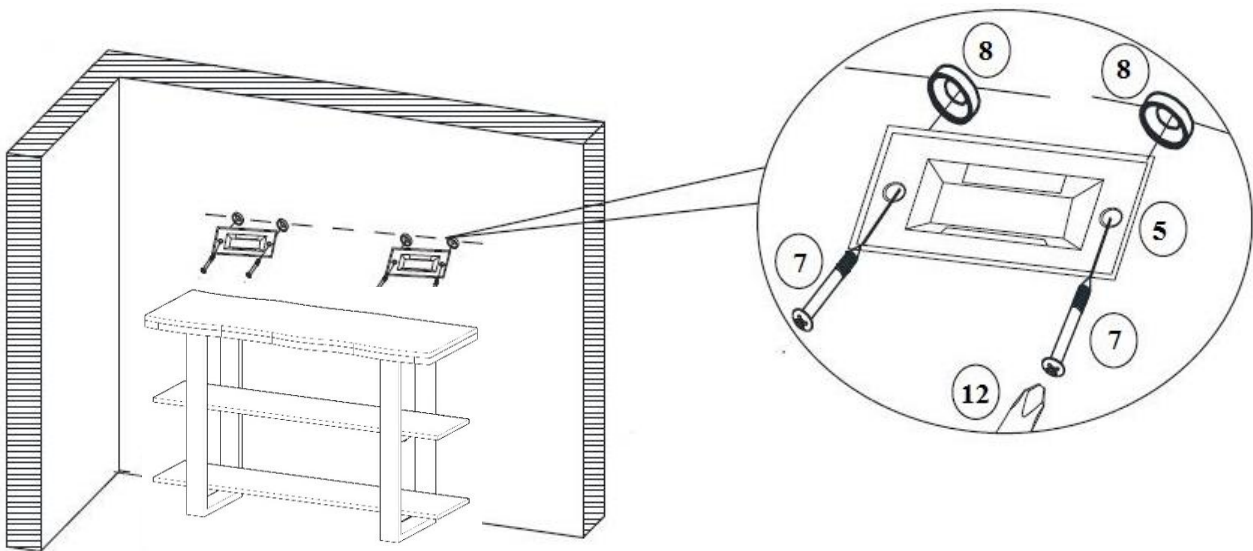
1) Move the Console back to the wall. Mark two points same height as Console on the wall.

**Note: The Brackets need to be secured to solid, load bearing surface. Please use a Stud Finder(not supplied) if needed to locate the Wall Frame.**

2) Measure the height of the Brackets(⑤) with ruler/measuring tape and mark on wall to keep them accurate and same height.

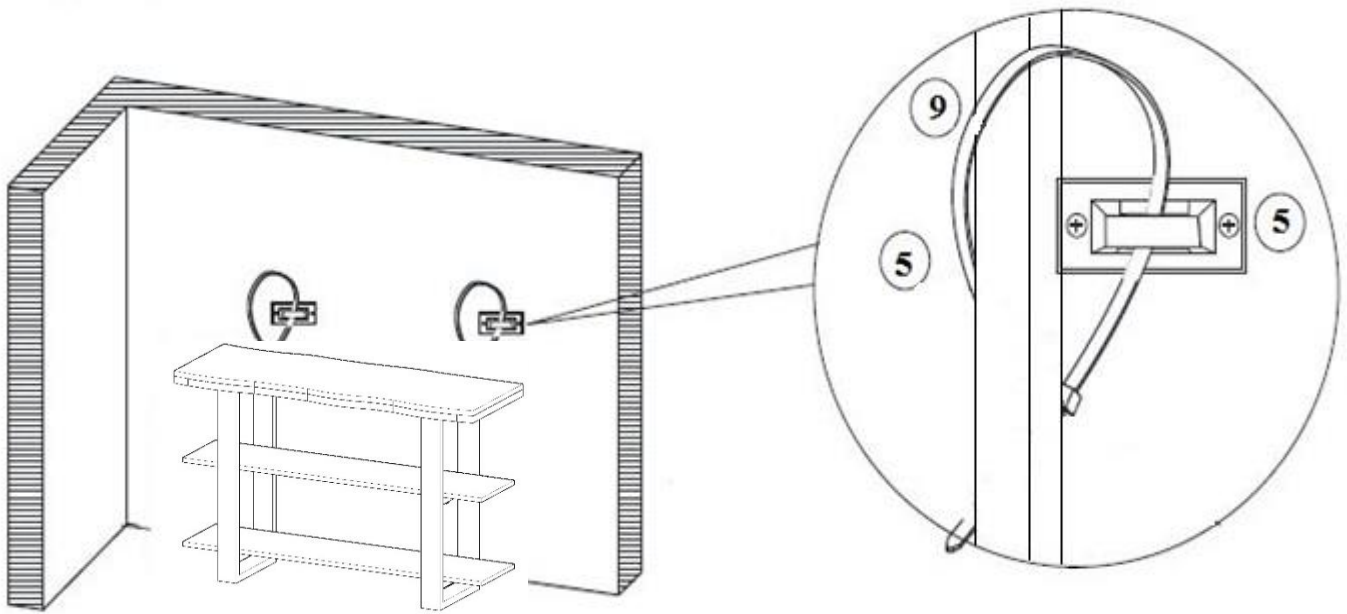
6.2) Insert Wall Plugs(⑦) into drilled holes on wall with Hammer(⑩).

### Step 7



Attach Brackets(⑤) to Wall Plugs(⑧) using Wall Plug Screws(⑦) with the help of a Screwdriver(⑪).

## Step 8














Move Console to the wall.

Pull the Tipover Restraint Strap (8) through the Brackets (5) on the wall and Console one by one, and pull the Tipover Restraint Strap (8) tight. This Console is ready to use.

**Caution: This Console can only be used on flat, level surface.**

## Care & Maintenance

✓ 	<ul style="list-style-type: none"><li>● Furniture may scratch floors. We recommend using furniture pads to protect your floors.</li></ul>
⊘ 	<ul style="list-style-type: none"><li>● Do not put hot items directly on furniture surface.</li></ul>
⊘ 	<ul style="list-style-type: none"><li>● Do not clean furniture with harsh cleansers or polish.</li></ul>
⊘ 	<ul style="list-style-type: none"><li>● Do not place furniture under direct sunlight.</li></ul>
⊘ 	<ul style="list-style-type: none"><li>● Do not place furniture near heating or cooling vents.</li></ul>

	<ul style="list-style-type: none"> <li>● Do not write on furniture without a padded barrier to protect the surface.</li> </ul>
	<ul style="list-style-type: none"> <li>● Do not place furniture outside . For indoor use only.</li> </ul>
	<ul style="list-style-type: none"> <li>● Not for commercial use. For residential use only.</li> </ul>
	<ul style="list-style-type: none"> <li>● Stains may be removed with mild soap solution and damp cloth.</li> </ul>
	<ul style="list-style-type: none"> <li>● Children should not climb or jump on the furniture.</li> </ul>
	<ul style="list-style-type: none"> <li>● Dust and pick-up spills using a clean, non-colored, lint-free cloth.</li> </ul>