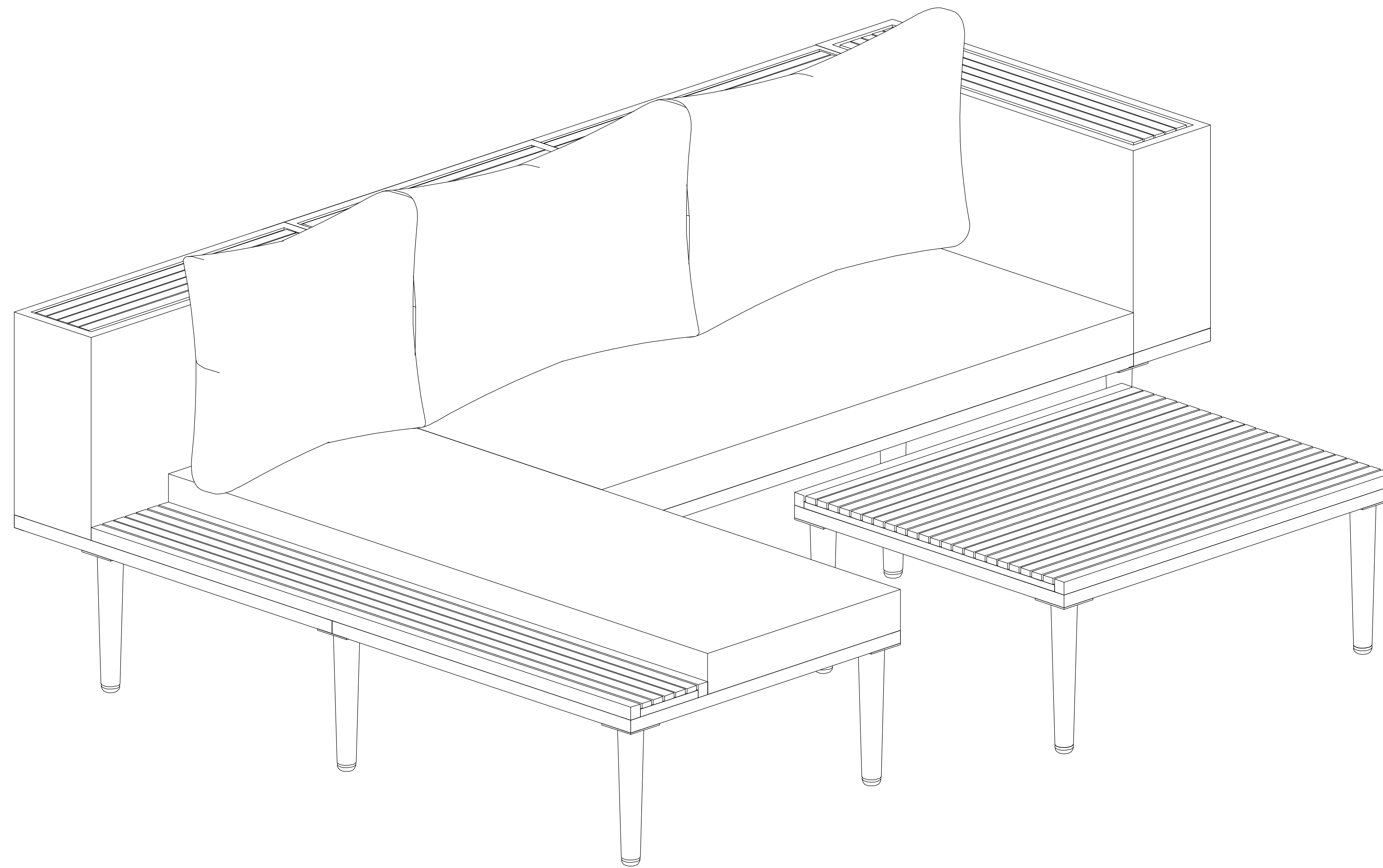
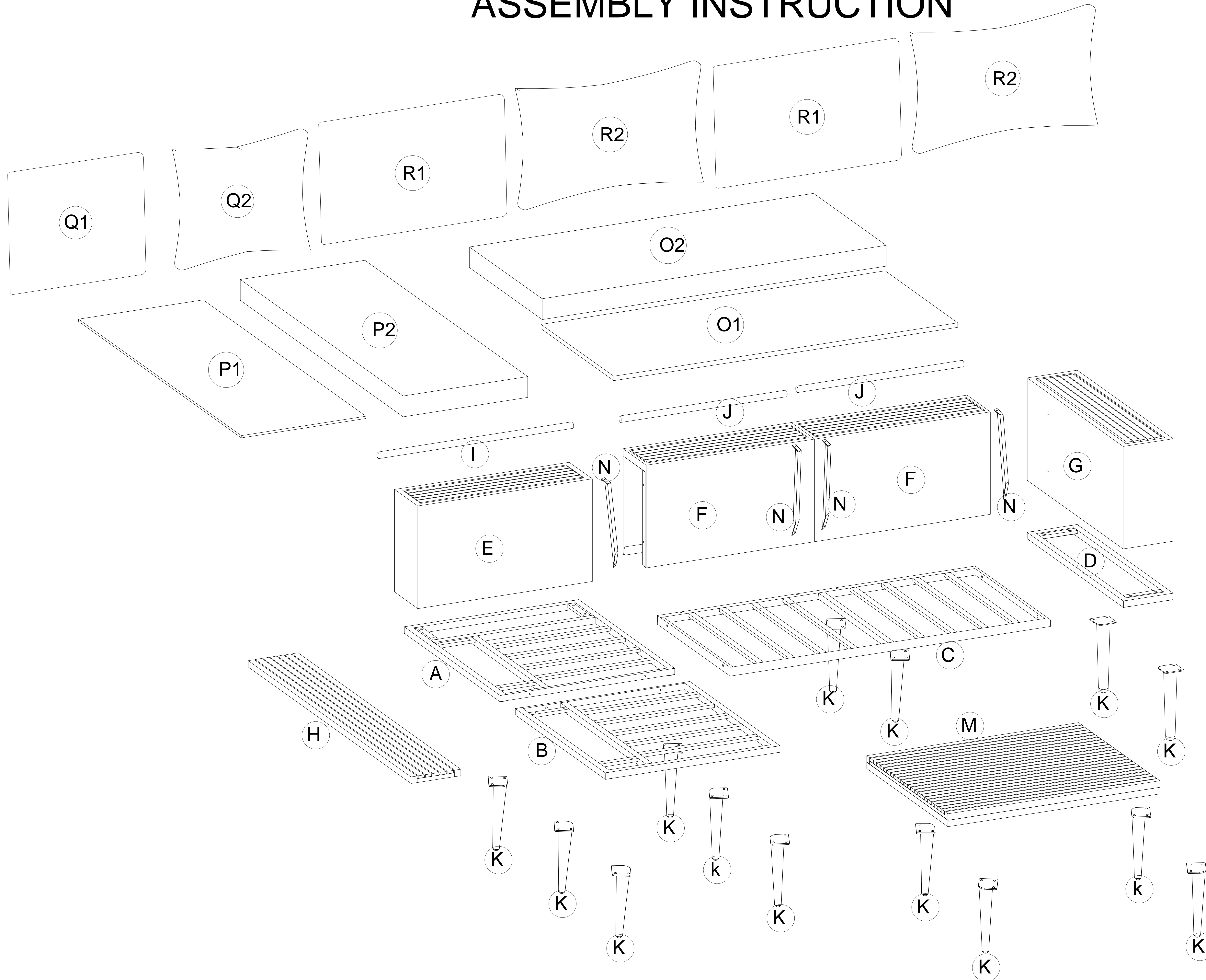


ASSEMBLY INSTRUCTION

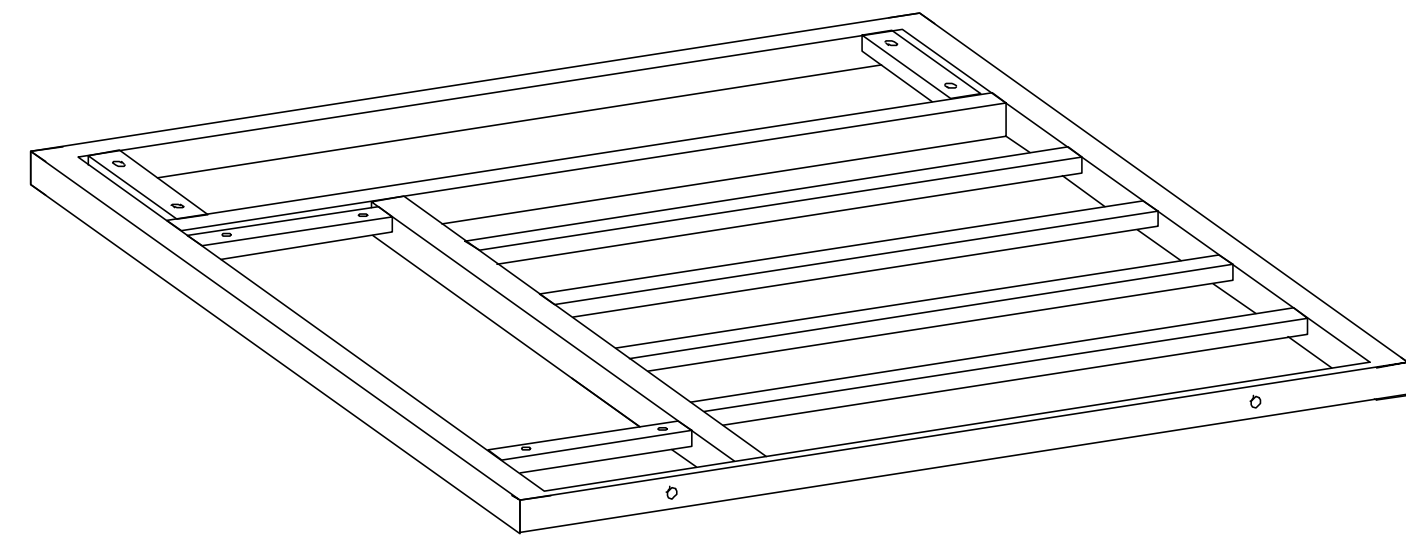


ASSEMBLY INSTRUCTION



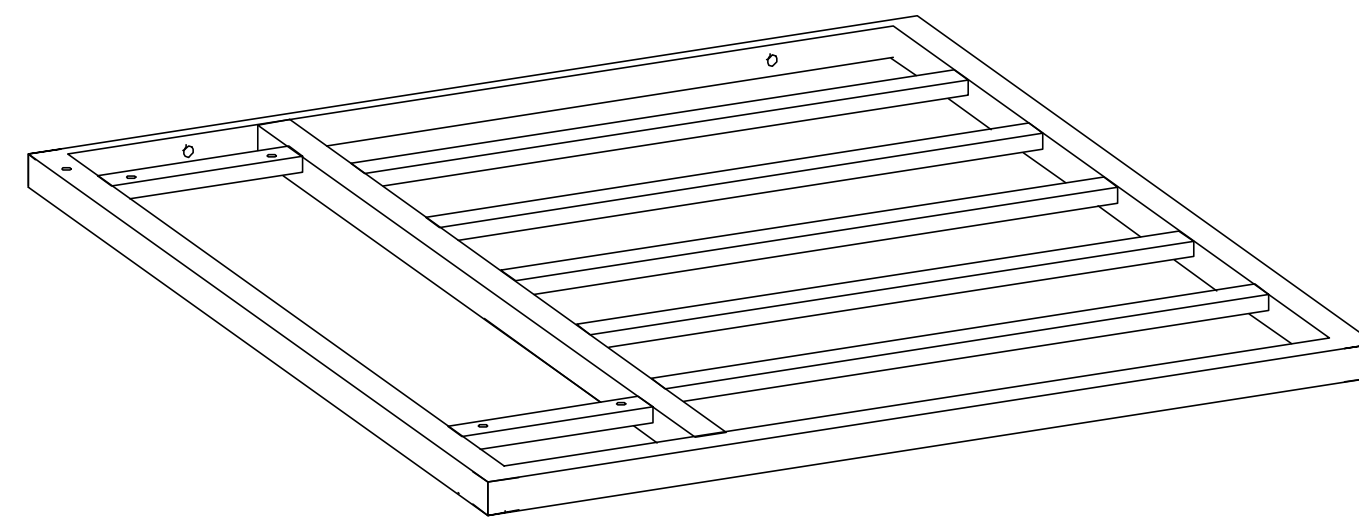
Part List & Hardware

A



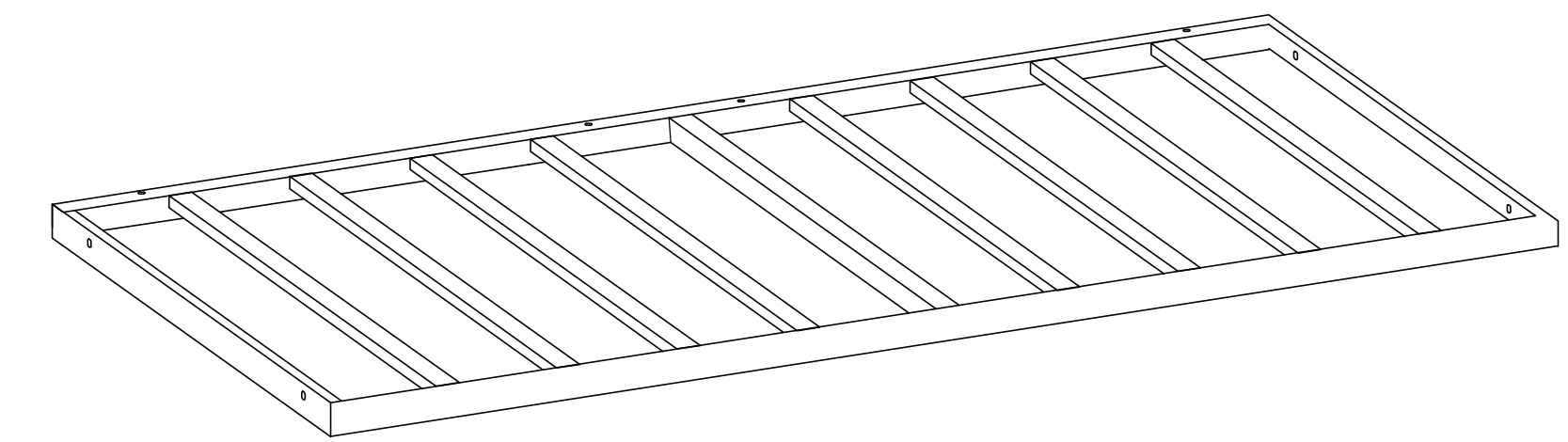
Chair frame - 1 pc

B



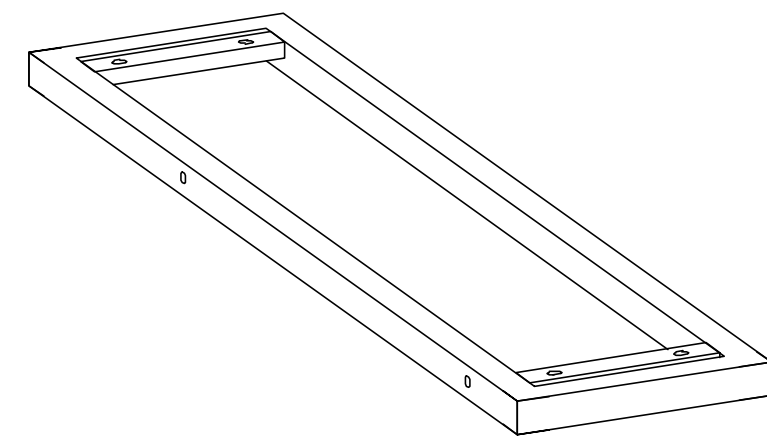
Chair frame - 1 pc

C



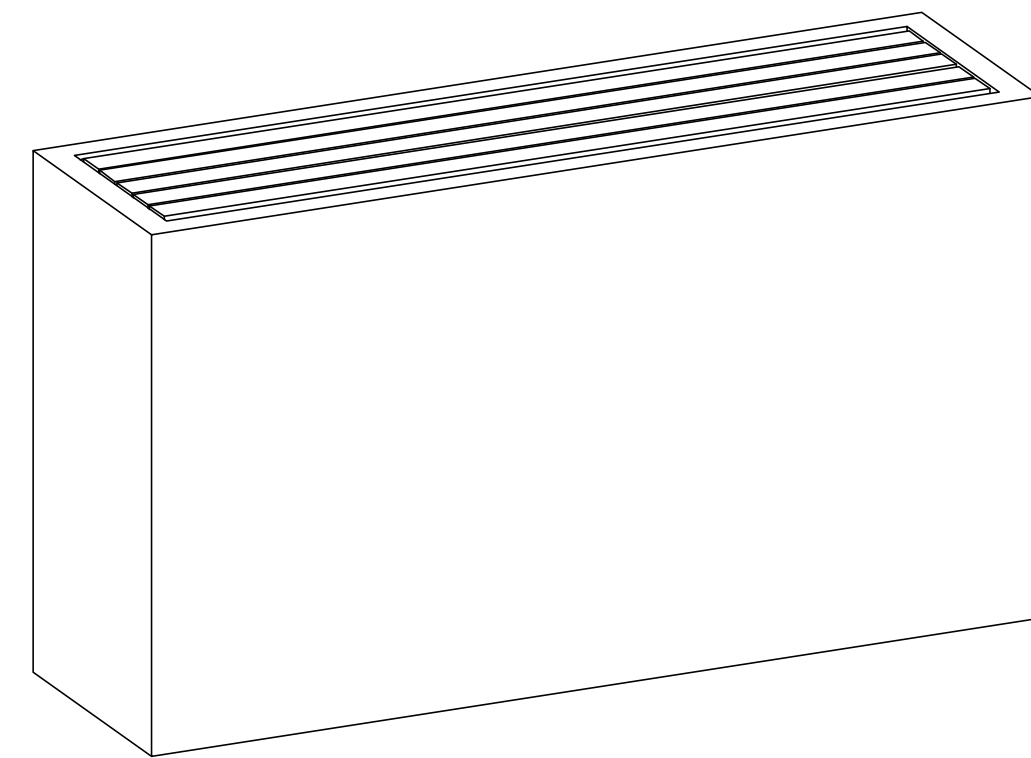
Bench frame - 1 pc

D



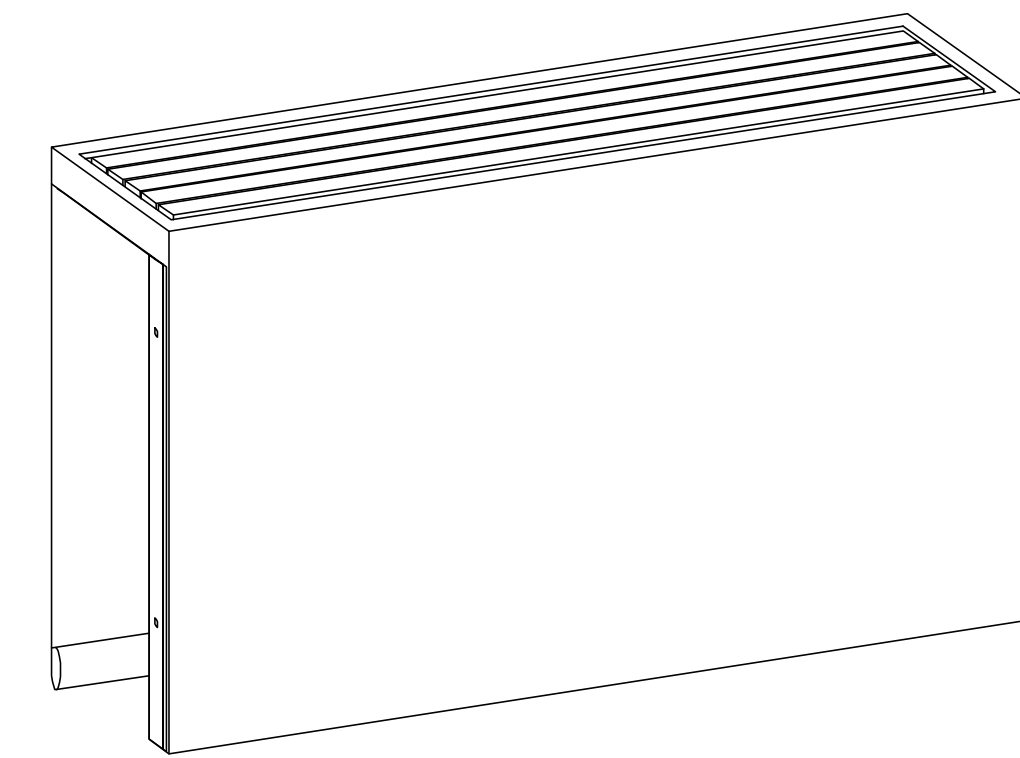
Armrest frame - 1 pc

E



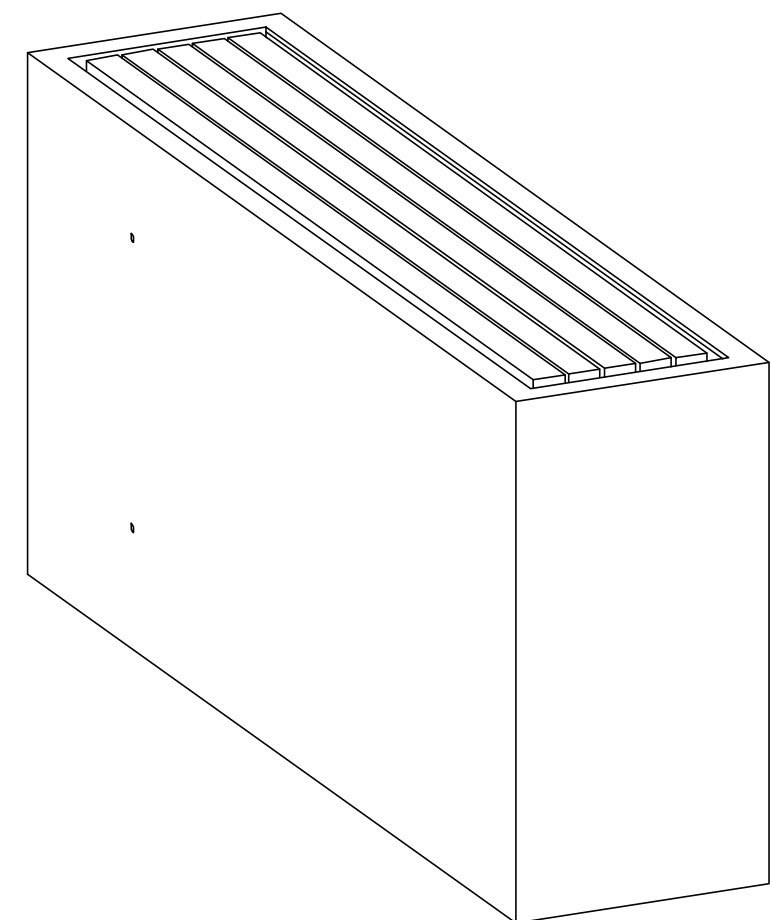
Short backrest - 1 pc

F



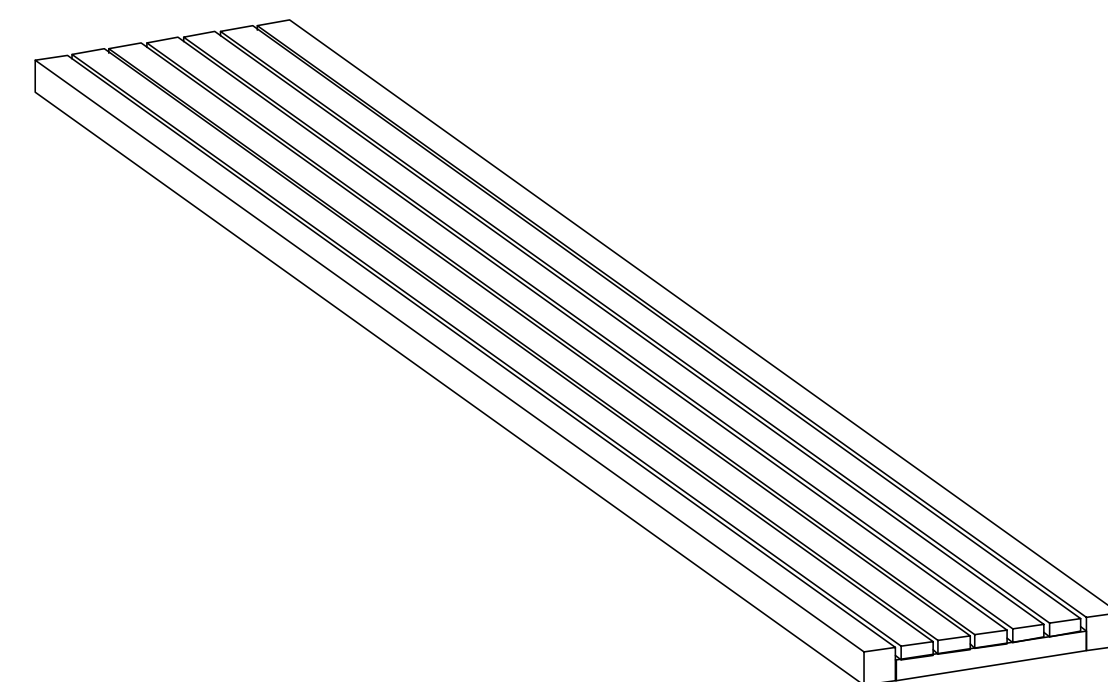
Backrest of the sofa - 2pcs

G



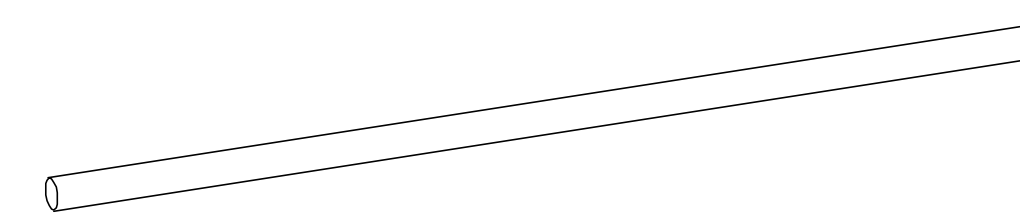
Armrest of the couch - 1 pc

H



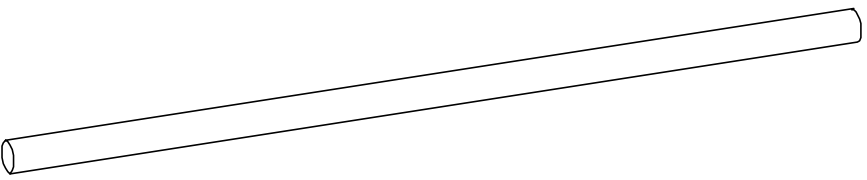
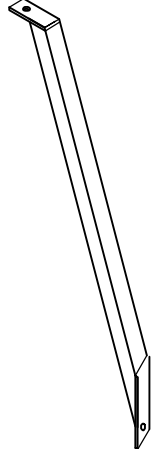
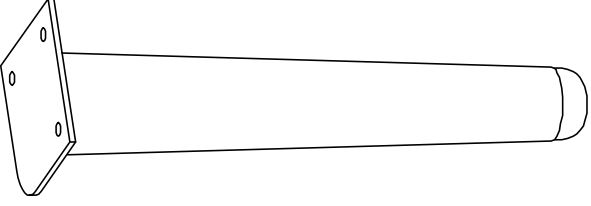
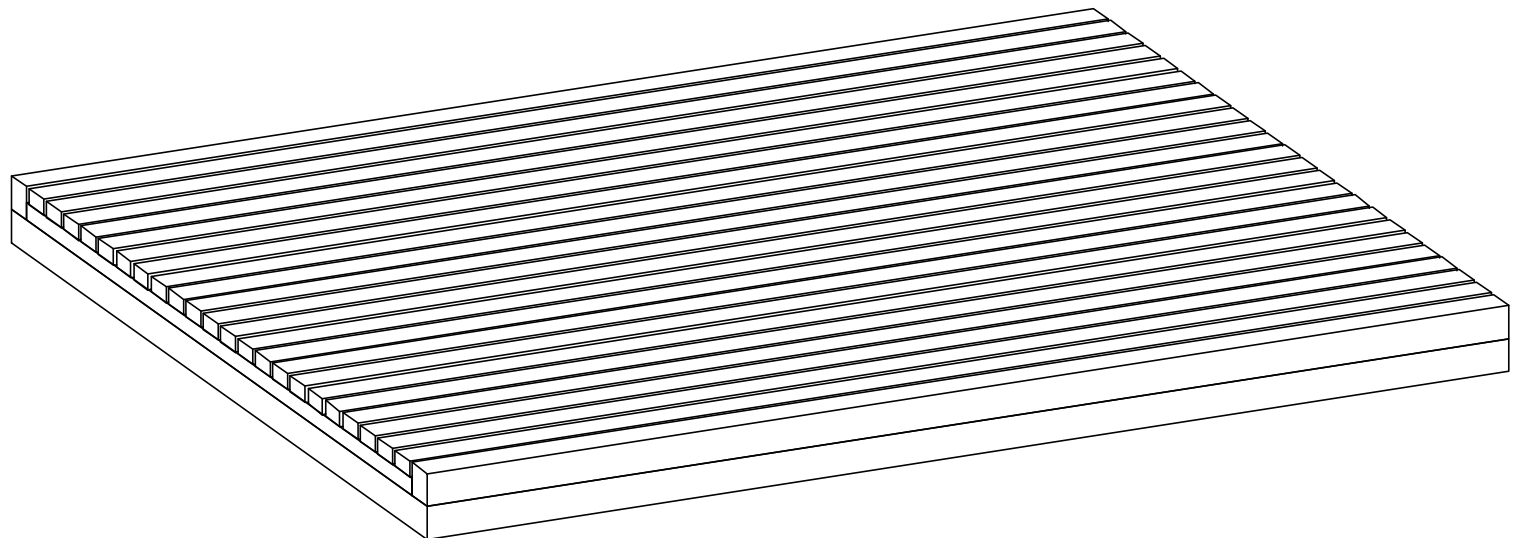
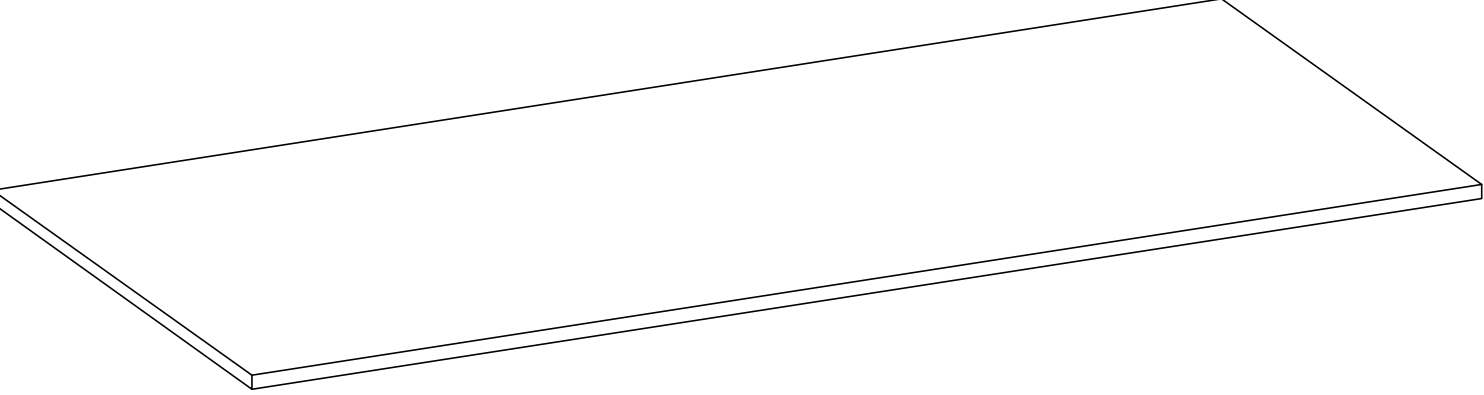
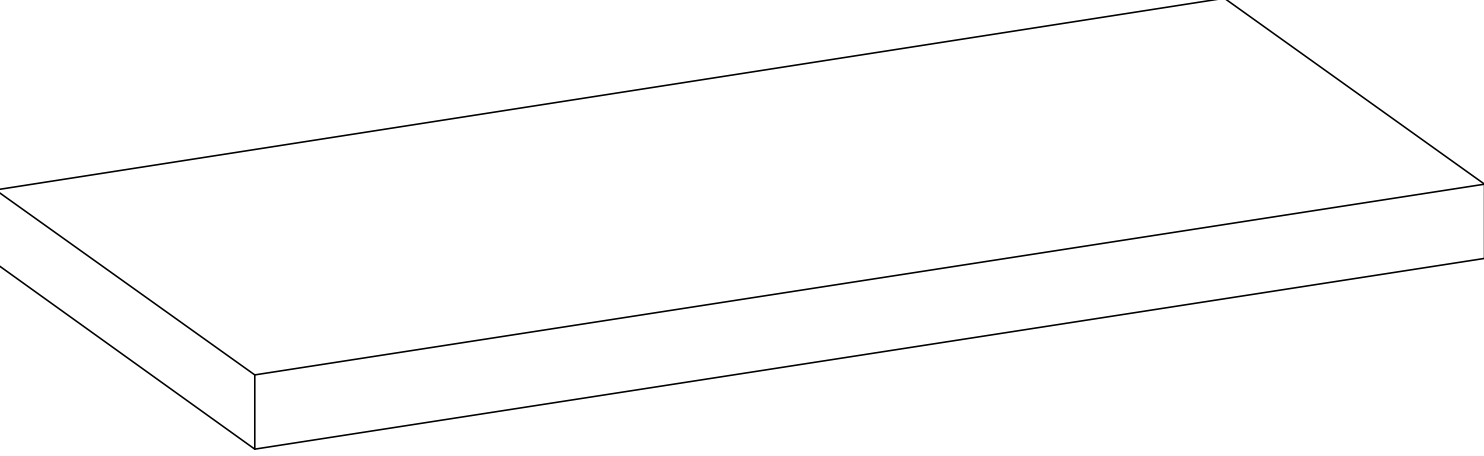
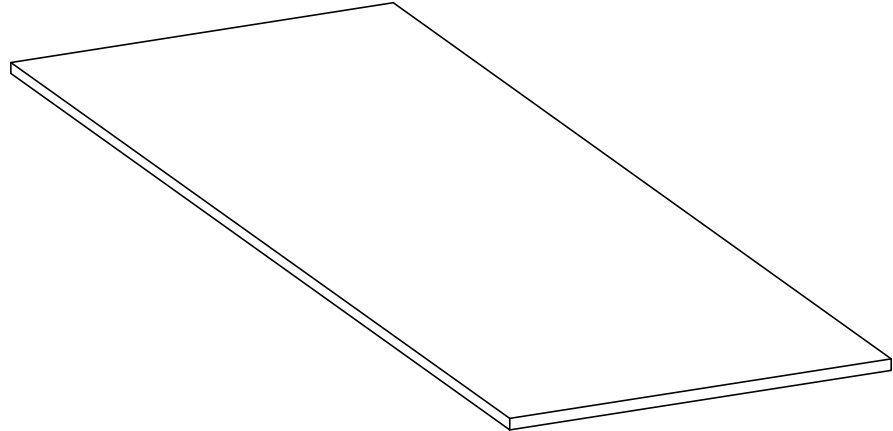
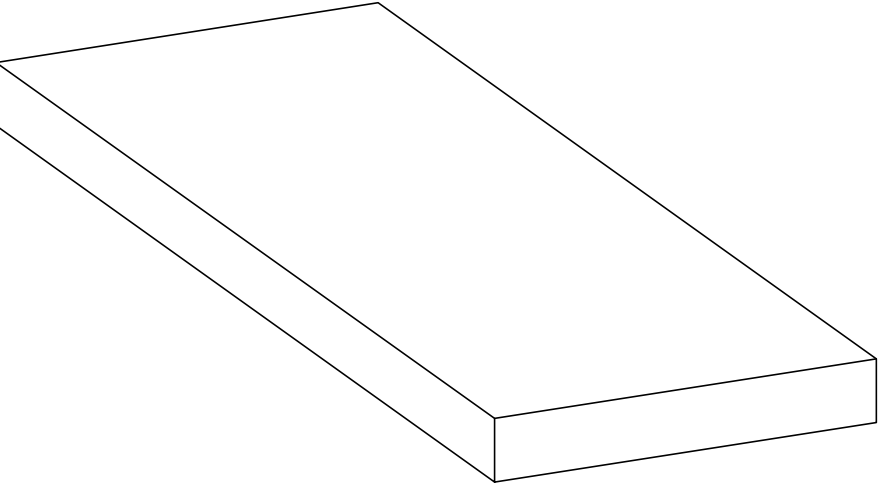
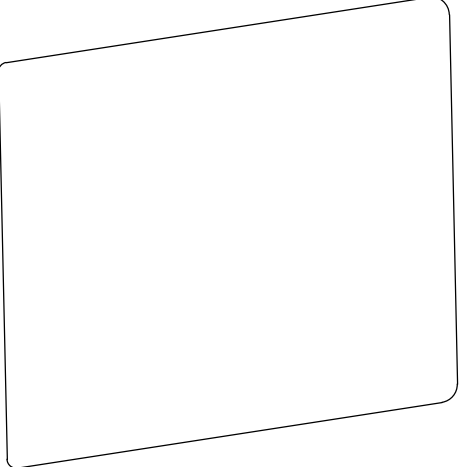
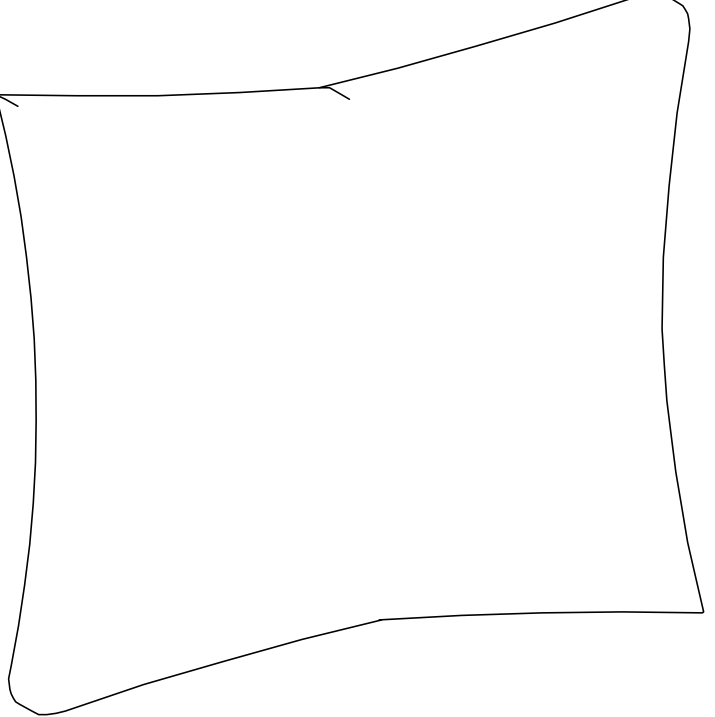
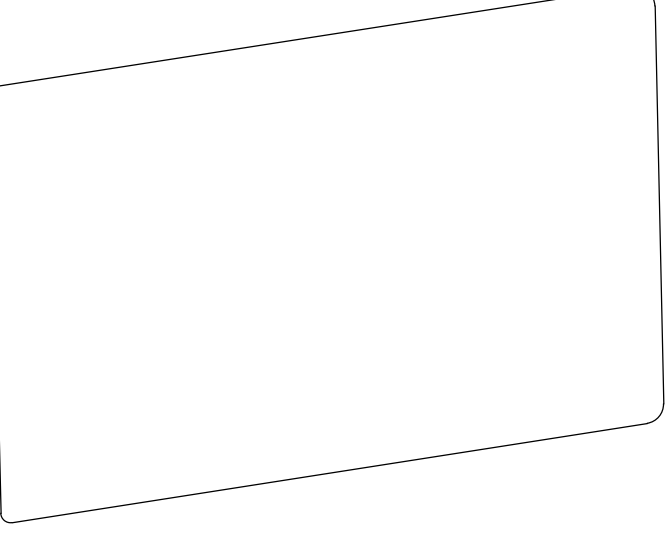
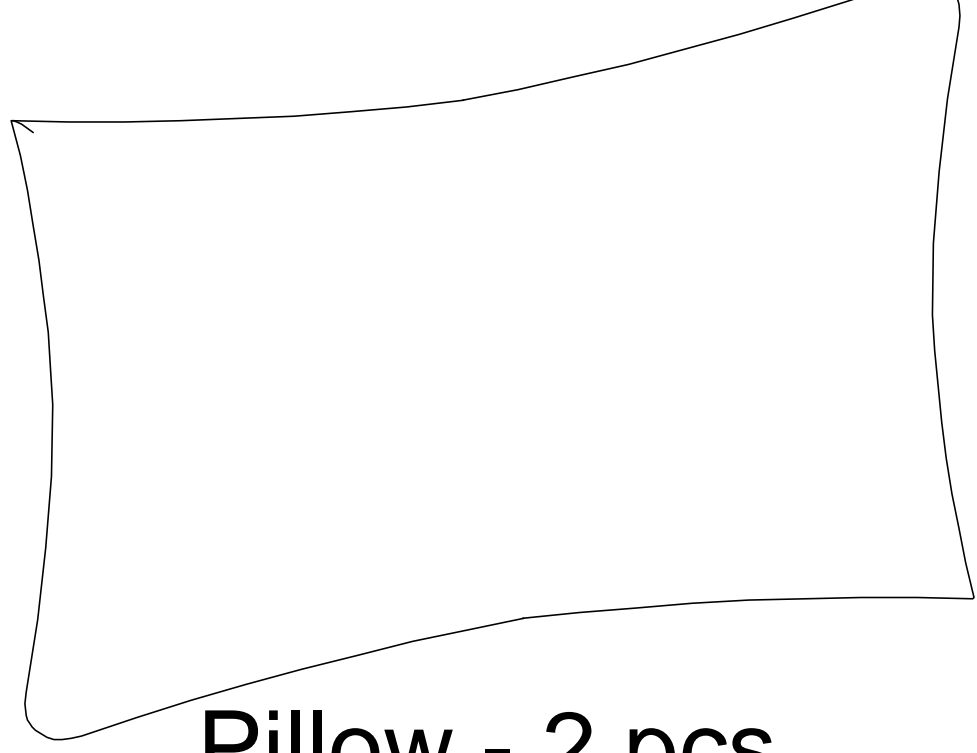
Bench table top - 1 pc

I

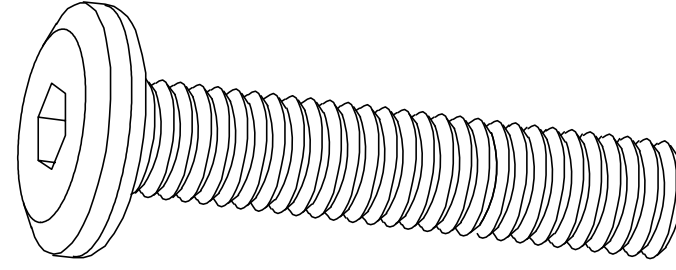
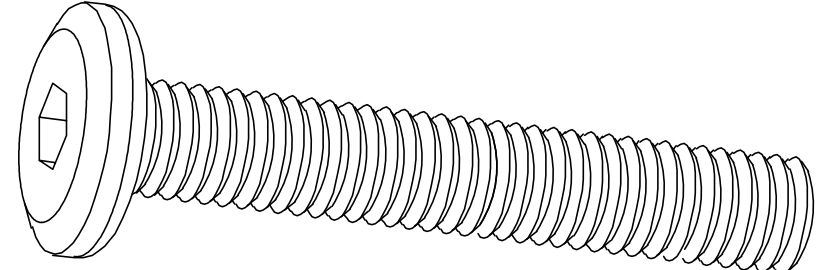
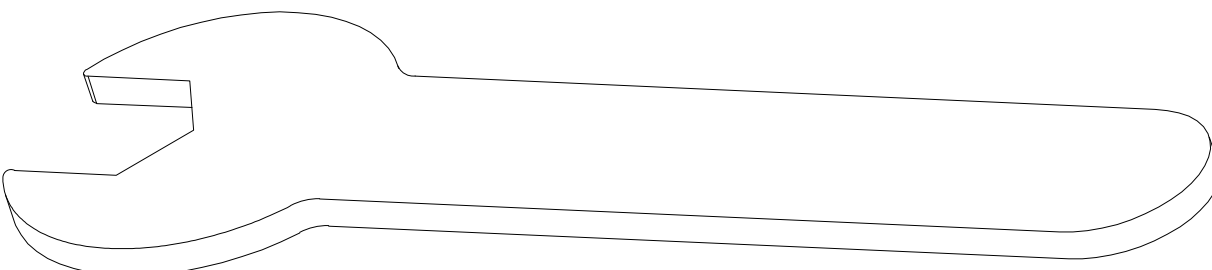
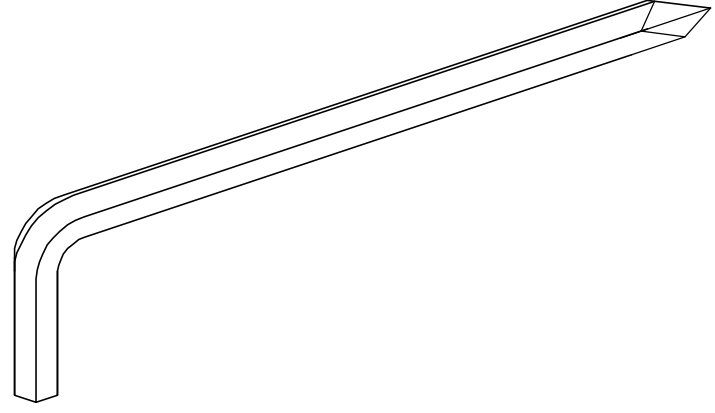


Short fabric tension bar - 1 pc

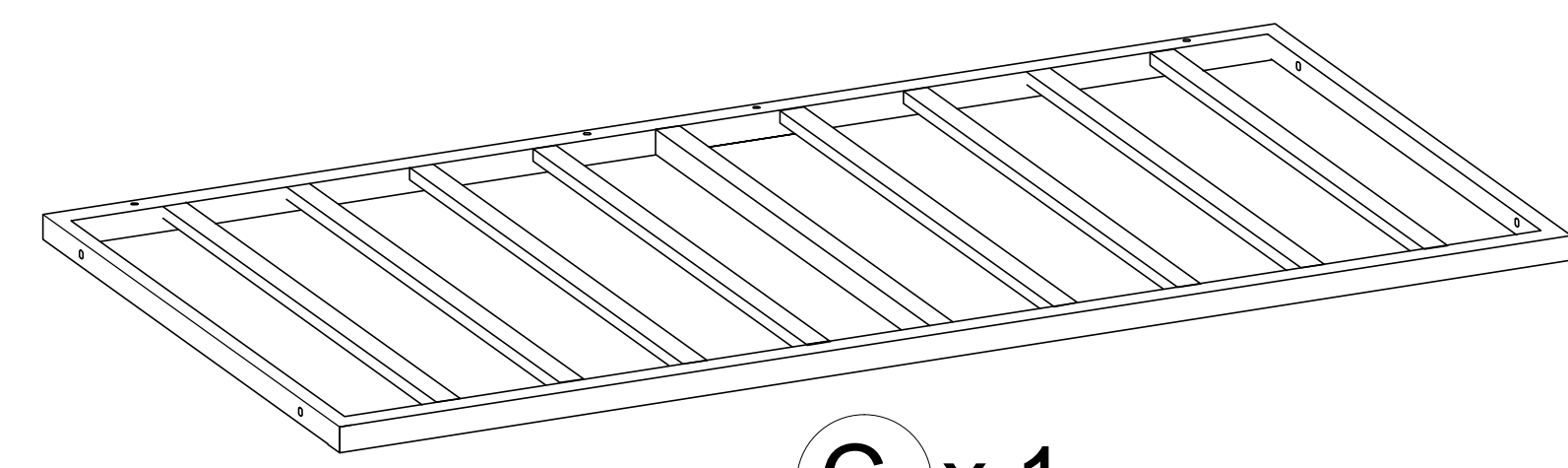
Part List & Hardware

<p>J</p>  <p>Long backrest fabric tension bar - 2pcs</p>	<p>N</p>  <p>Back support - 4 pcs</p>	<p>K</p>  <p>legs - 14 pcs</p>
<p>M</p>  <p>Table top - 1 pc</p>	<p>O1</p>  <p>the left cushion cover of the bench。 - 1 pc</p>	<p>O2</p>  <p>the left cushion of the bench。 - 1 pc</p>
<p>P1</p>  <p>Outer cloth cover for the right cushion of the bench - 1 pc</p>	<p>P2</p>  <p>the right cushion of the bench。 - 1 pc</p>	<p>Q1</p>  <p>Pillow Outer Cloth Cover - 1 pc</p>
<p>Q2</p>  <p>pillow- 1 pc</p>	<p>R1</p>  <p>Pillow Outer Cloth Cover - 2 pcs</p>	<p>R2</p>  <p>Pillow - 2 pcs</p>

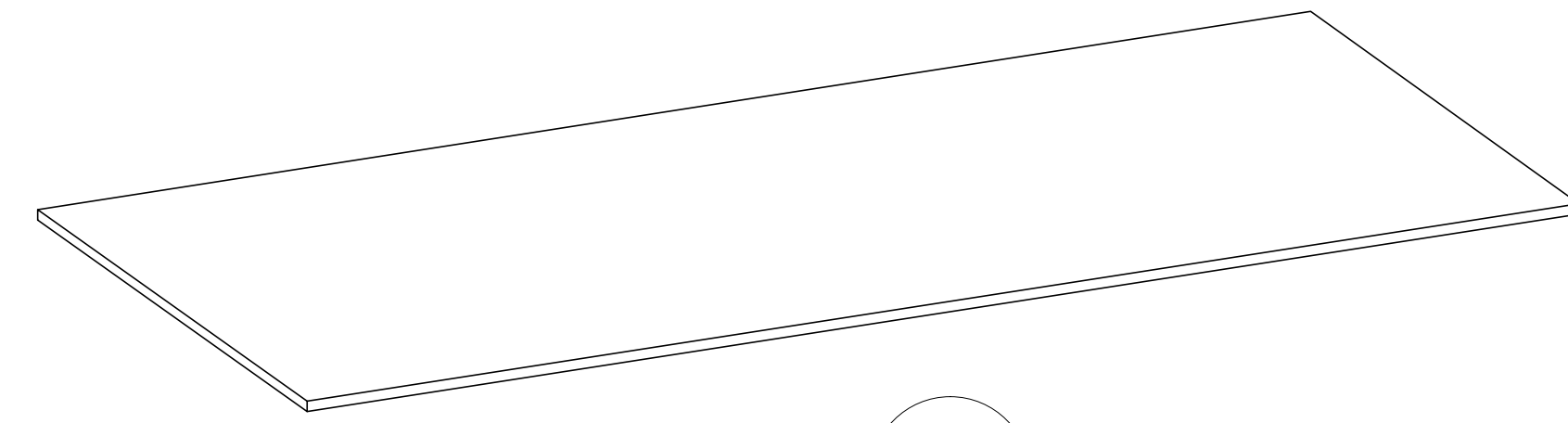
Part List & Hardware

<p>①</p>  <p>M6 x 15 Hex-Head bolts 50+2 pcs</p>	<p>②</p>  <p>M6 x 25 Hex-Head bolts 8+1 pcs</p>	<p>③</p>  <p>M6 x 35 Hex-Head bolts 14+1 pcs</p>	
<p>④</p>  <p>M6 x 40 Hex-Head bolts 2+1 pcs</p>	<p>⑤</p>  <p>Ø14*6.5 ironwasher34+2PCS</p>	<p>⑥</p>  <p>Nut 2+1 pcs</p>	
<p>⑦</p>  <p>open wrench 1 PC</p>	<p>⑧</p>  <p>Allen key 1 pc</p>	<p>⑨</p>  <p>6 x 35 screw 8+1 pcs</p>	

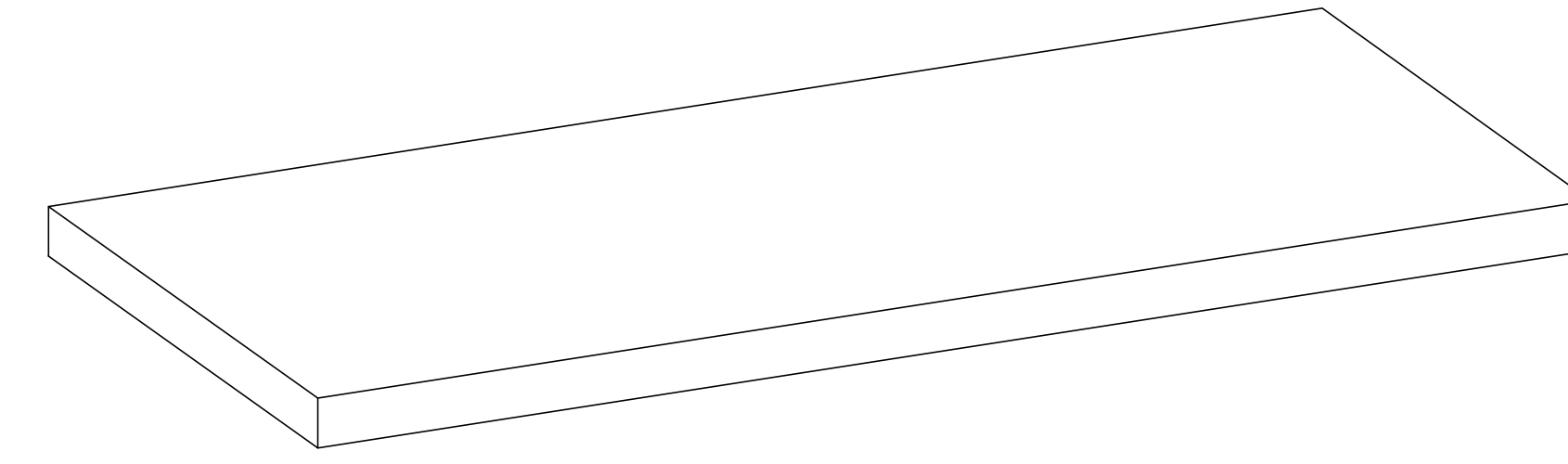
1: CARTON CONTENT



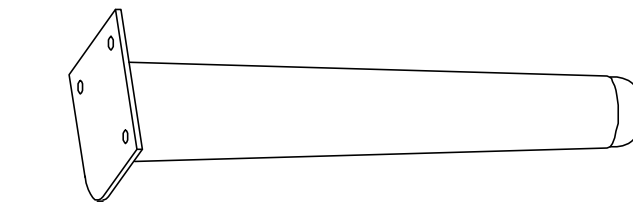
C x 1



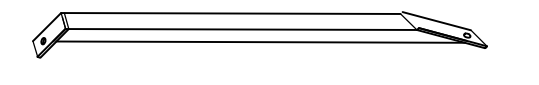
O1 x 1



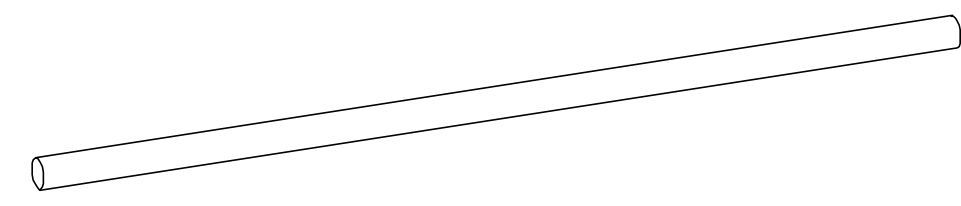
O2 x 1



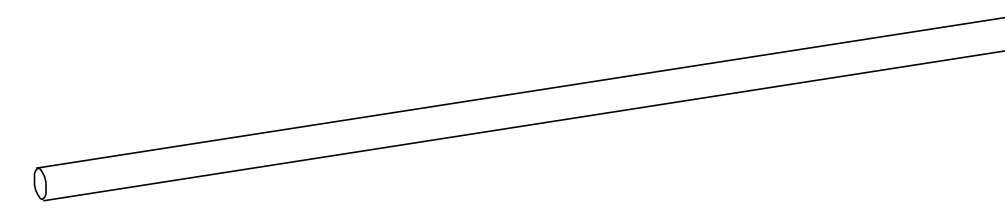
K x 4



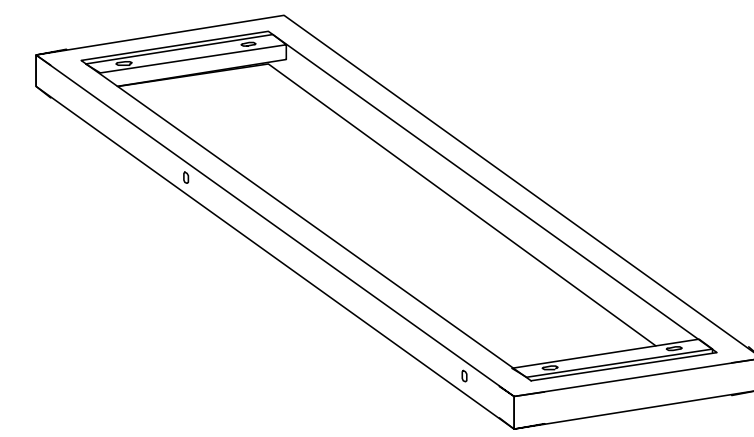
N x 4



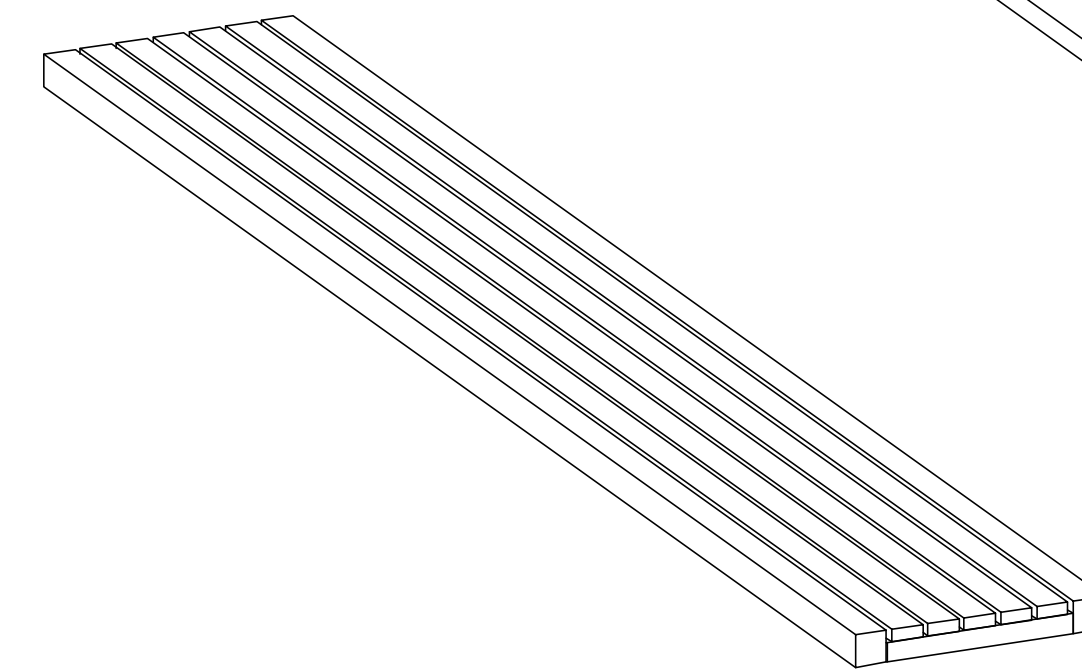
J x 2



I x 1



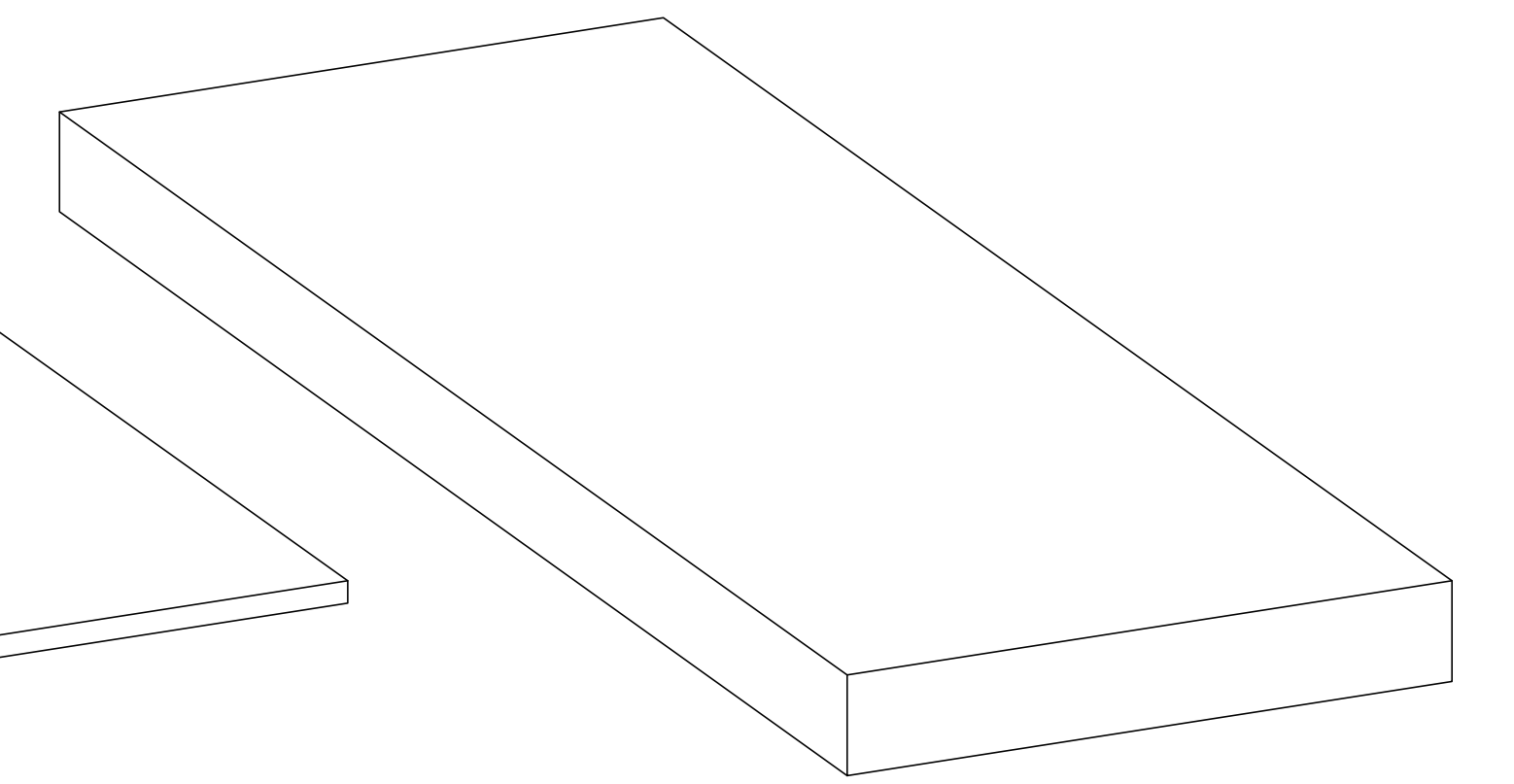
D x 1



H x 1

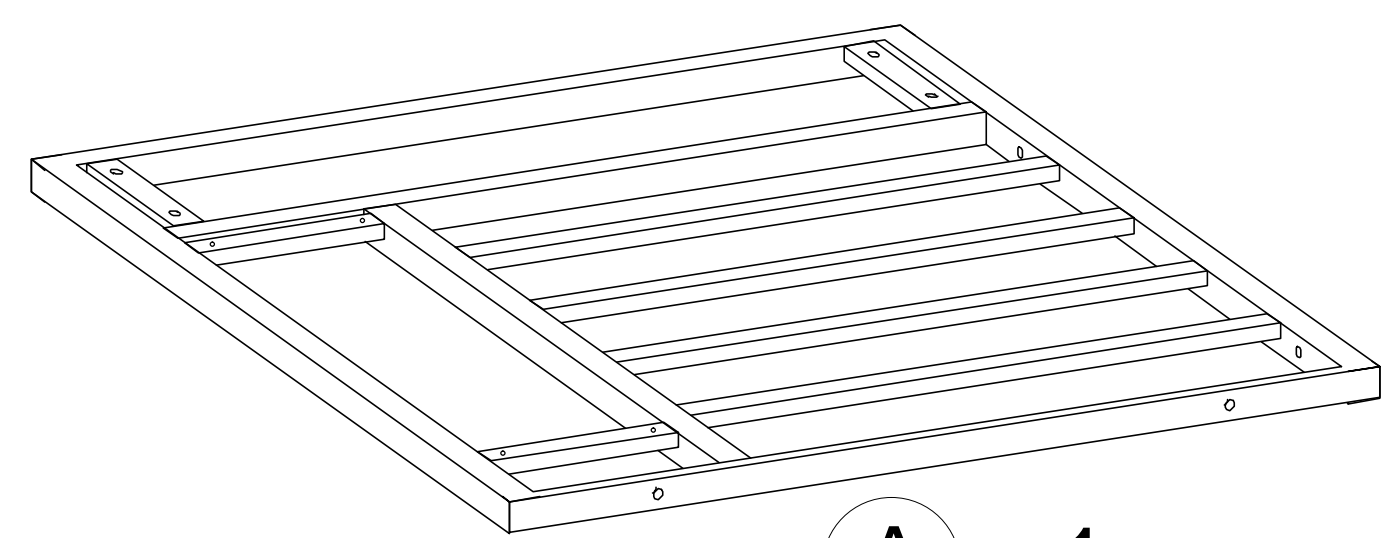


P1 x 1

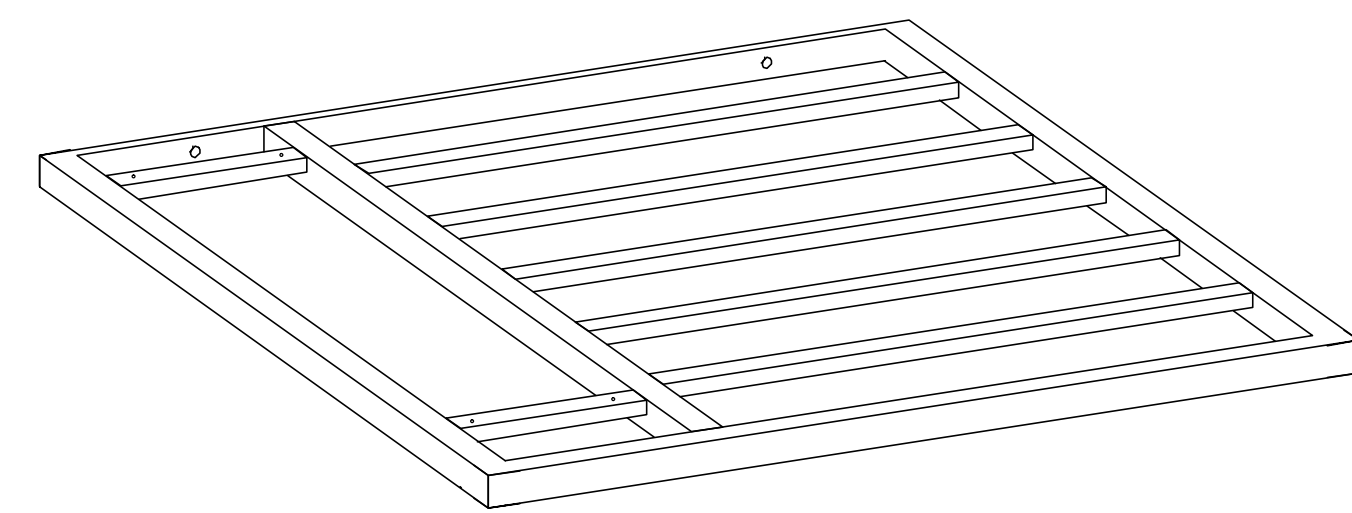


P2 x 1

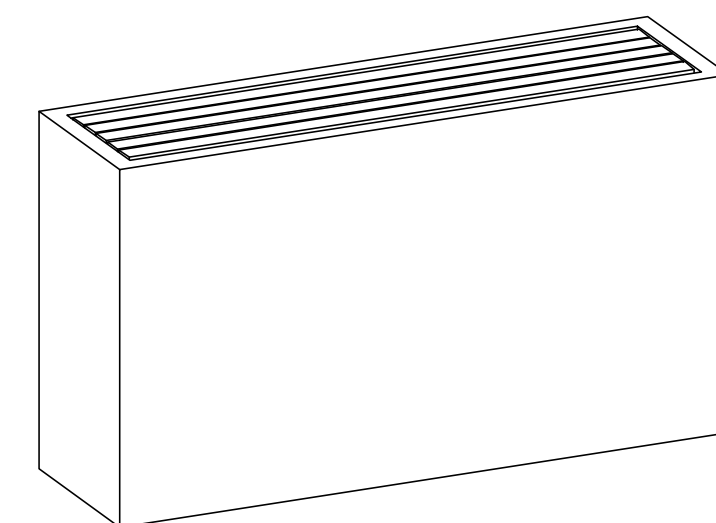
2: CARTON CONTENT



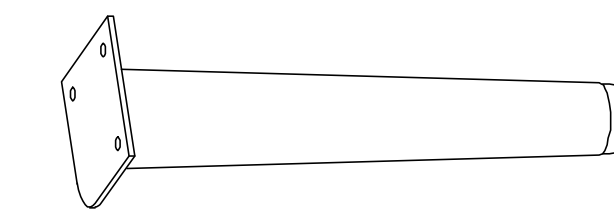
A x 1



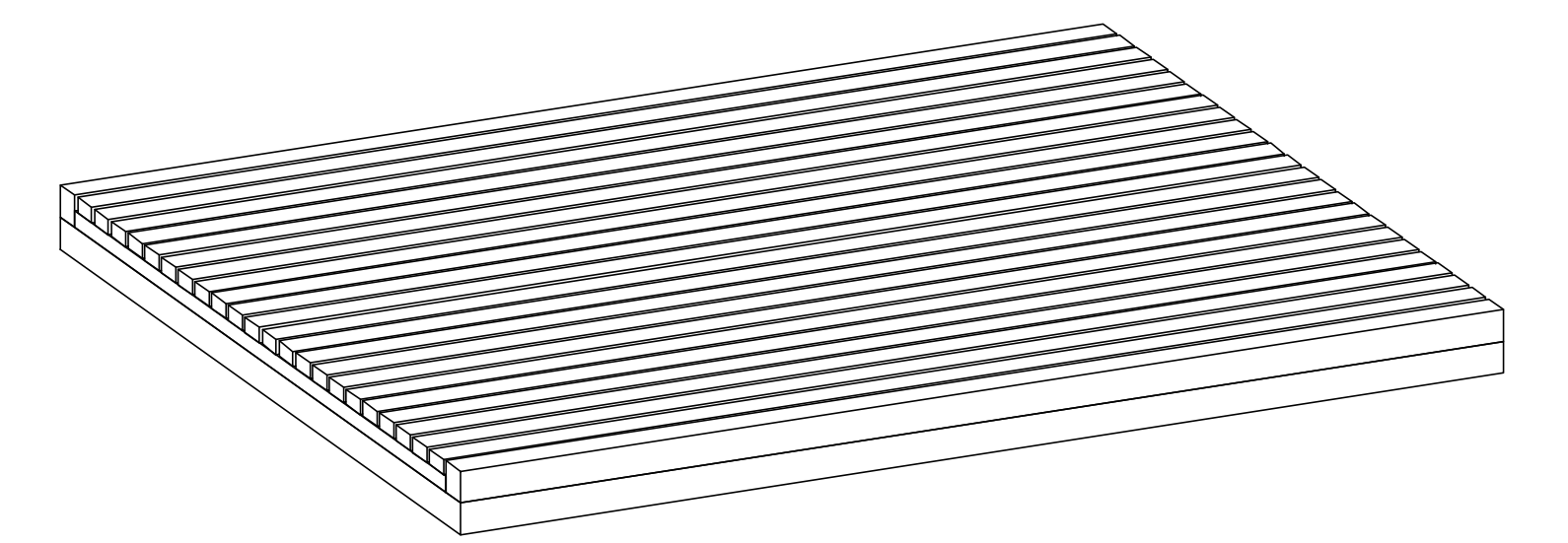
B x 1



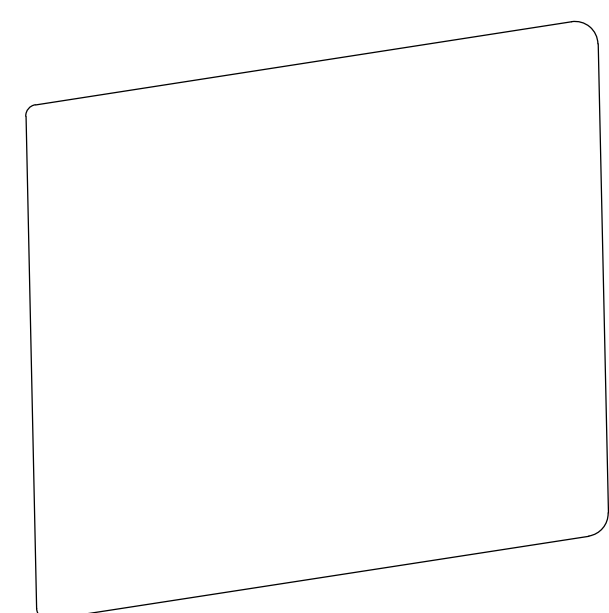
E x 1



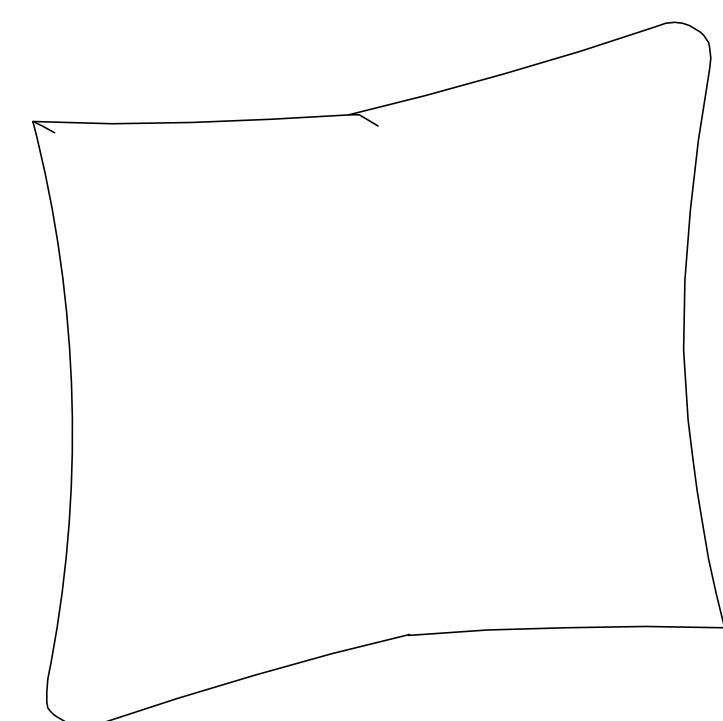
K x 10



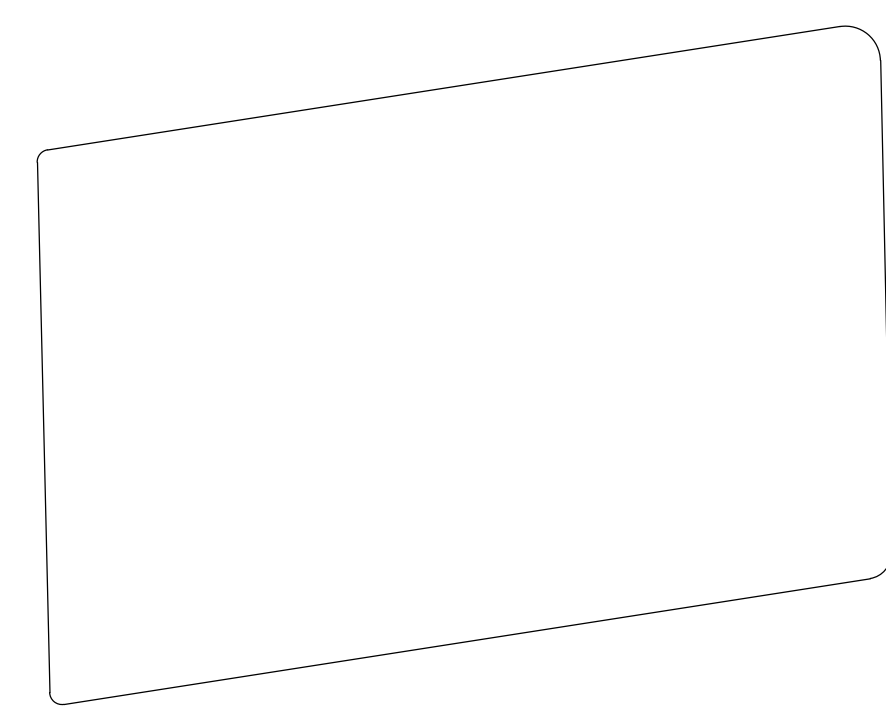
M x 1



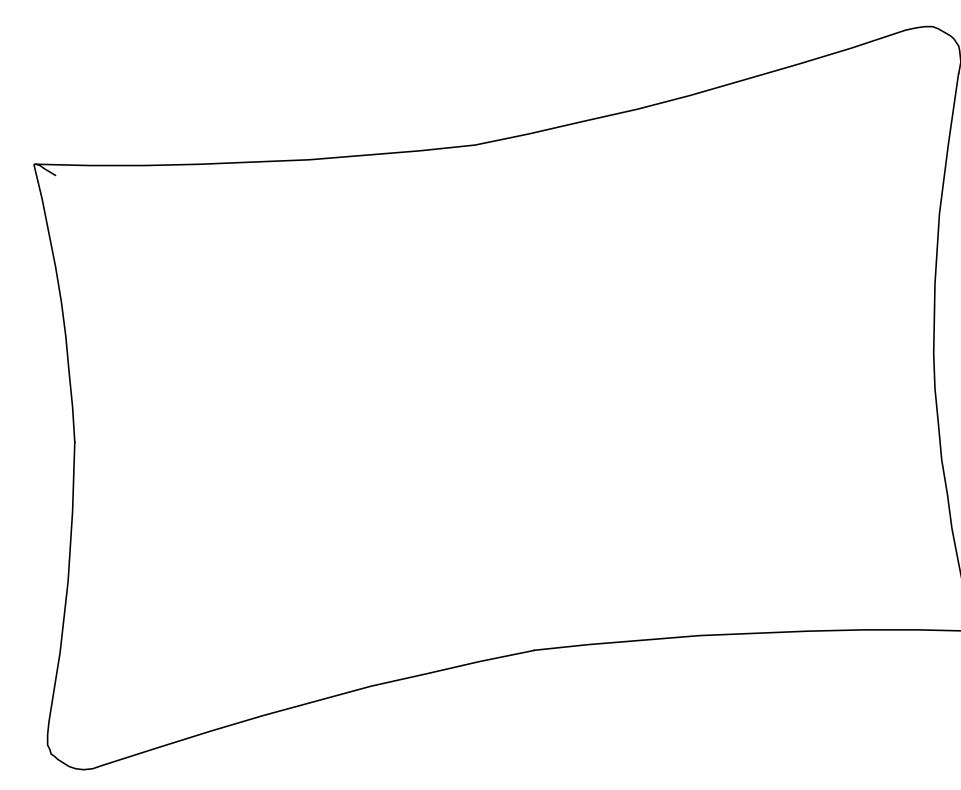
Q1 x 1



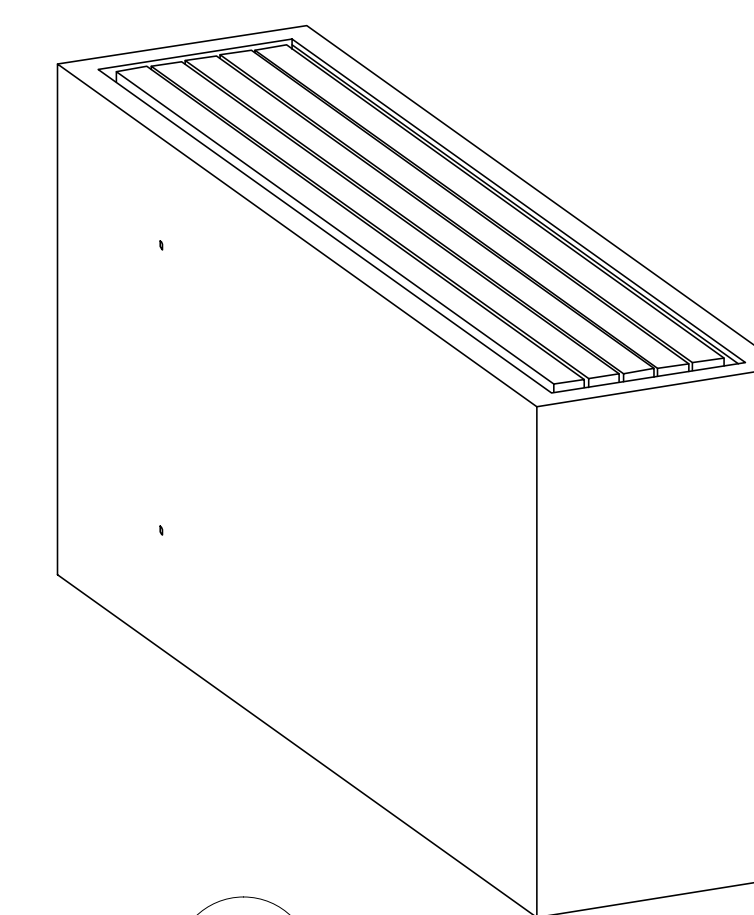
Q2 x 1



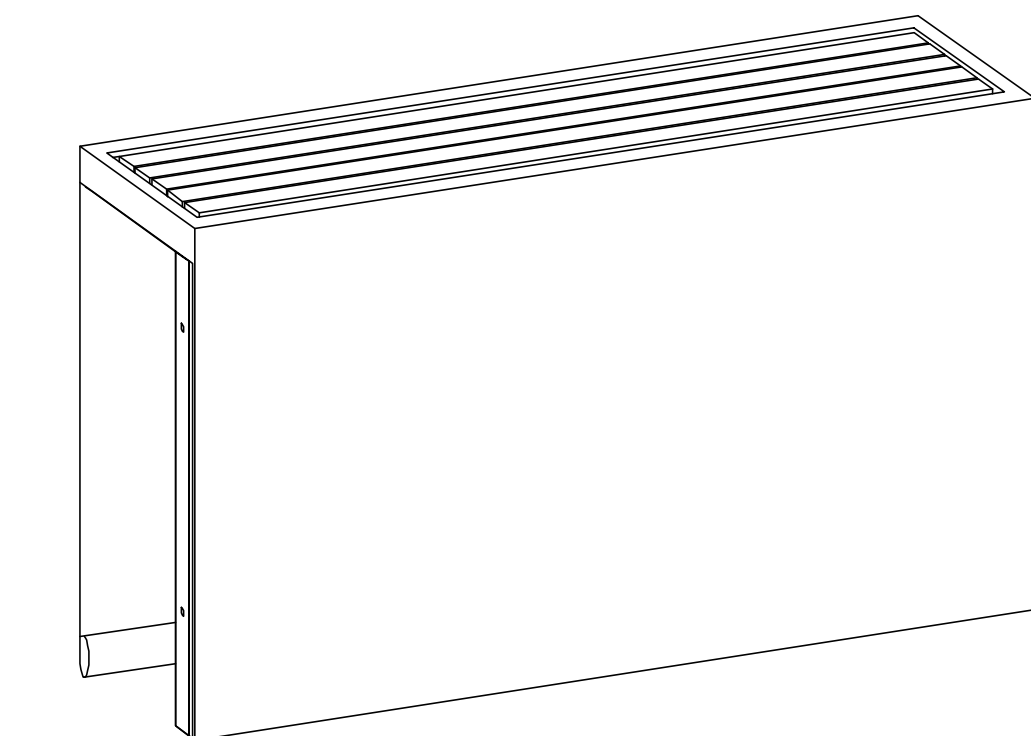
R1 x 2



R2 x 2

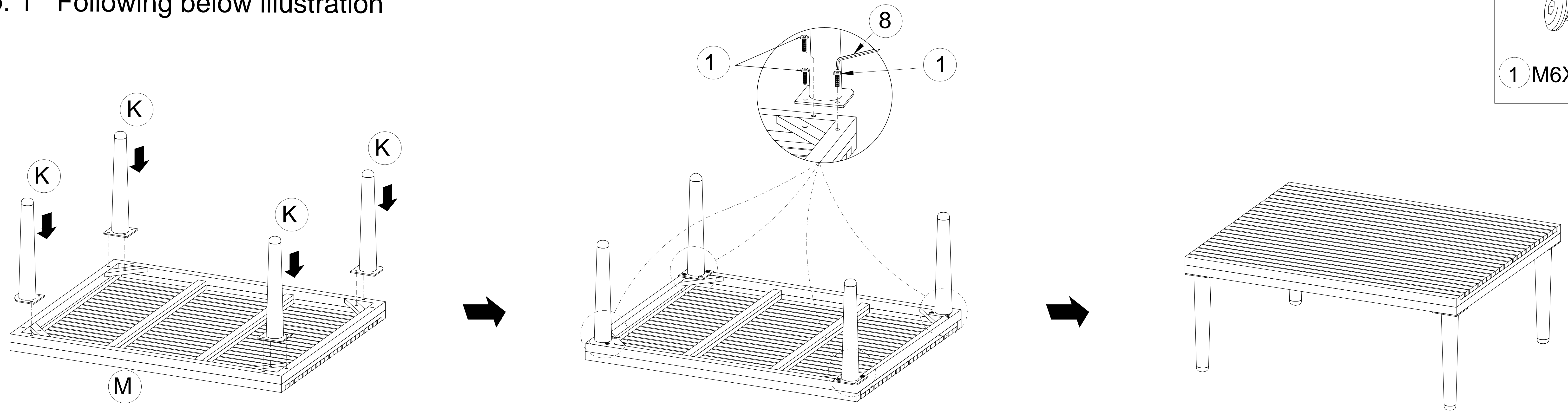


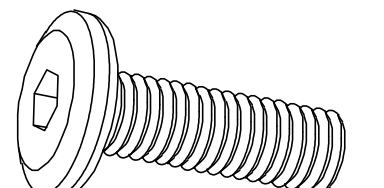
G x 1



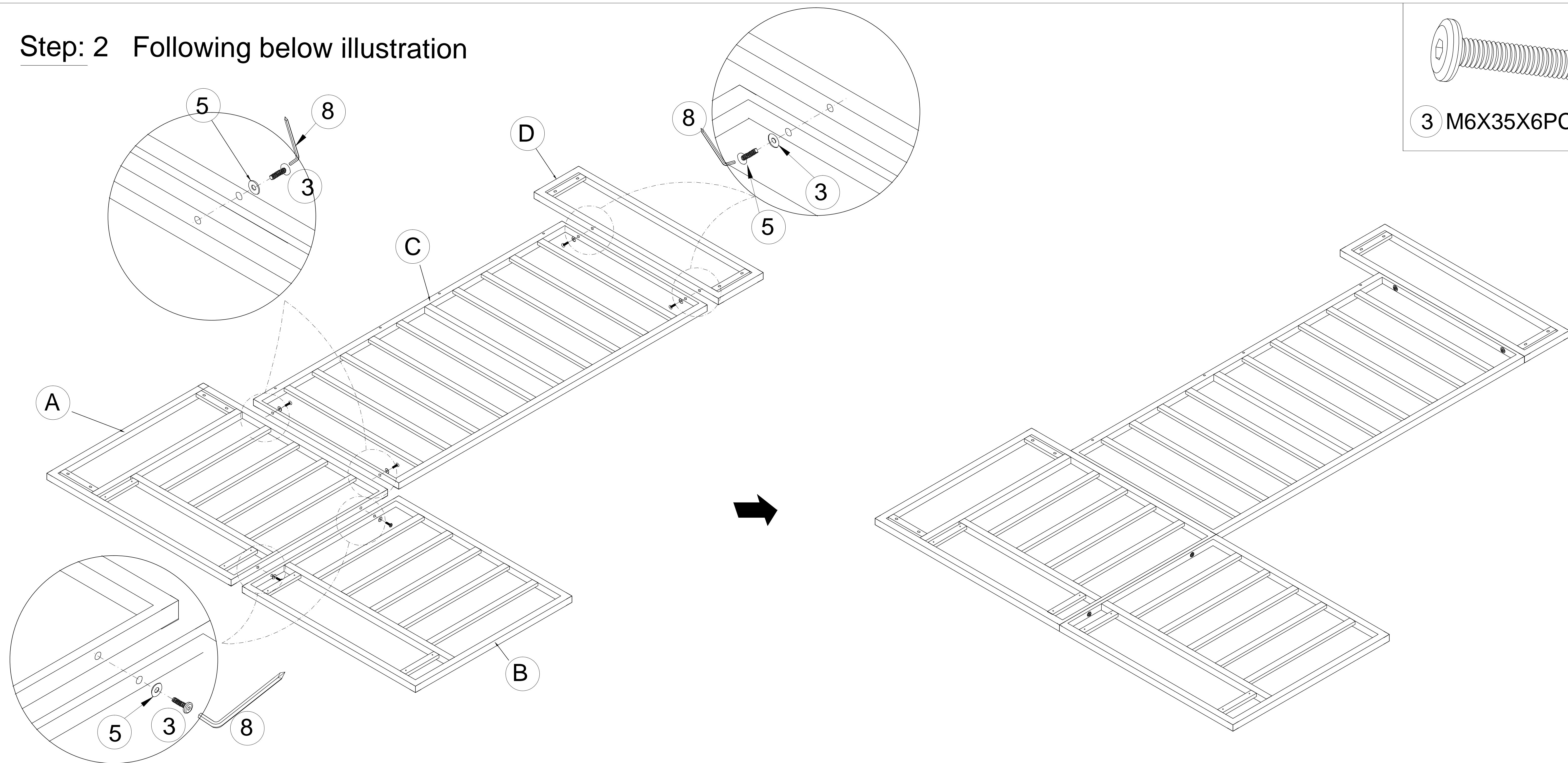
F x 2

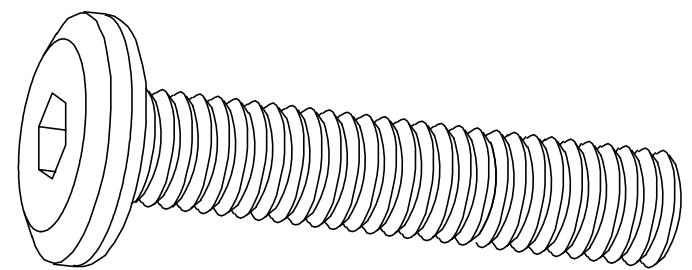
Step: 1 Following below illustration

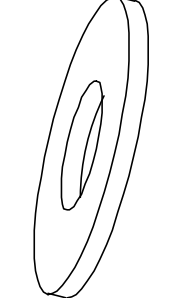



1 M6X15X12PCS

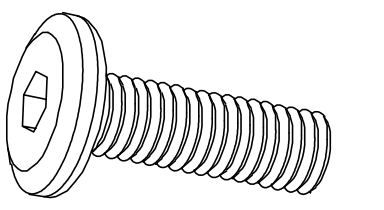
Step: 2 Following below illustration



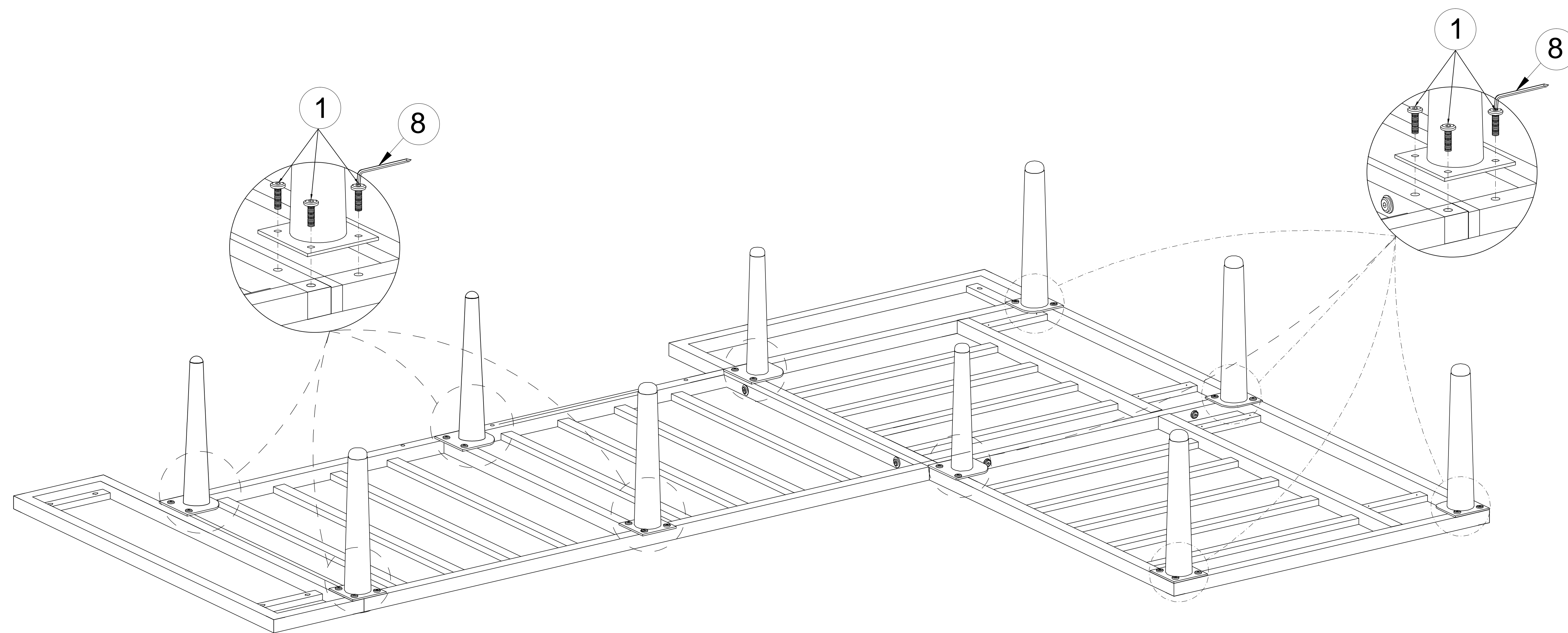
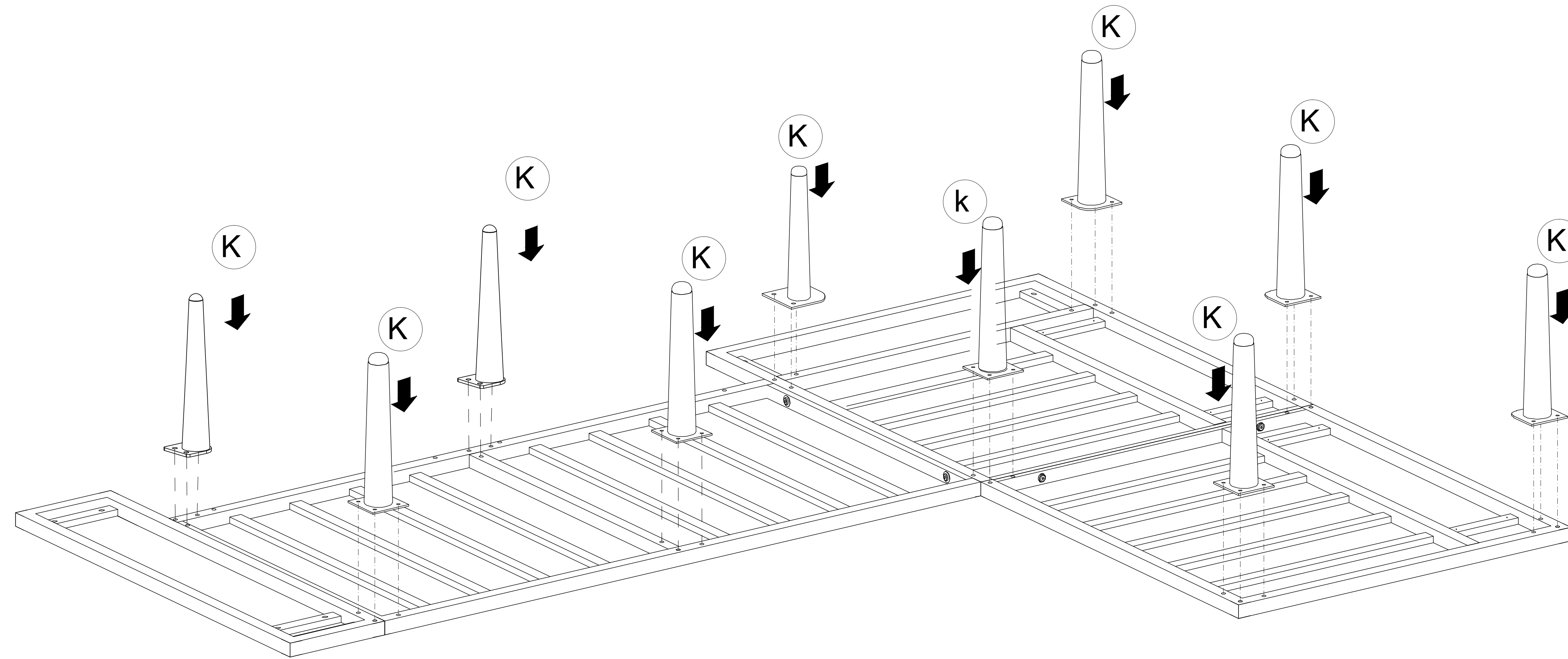

3 M6X35X6PCS


5 x 6 pcs

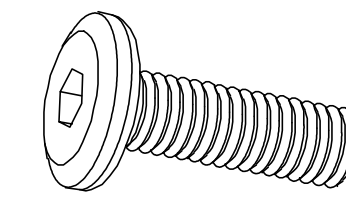
Step: 3 Following below illustration



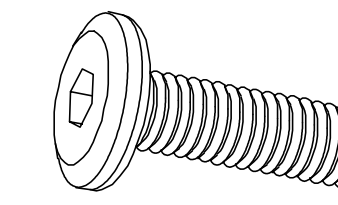
1 M6 X 15 X 30 PCS



Step: 4 Following below illustration



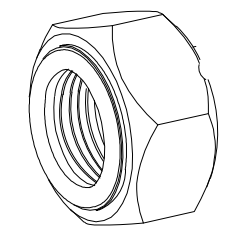
1 M6X15X8PCS



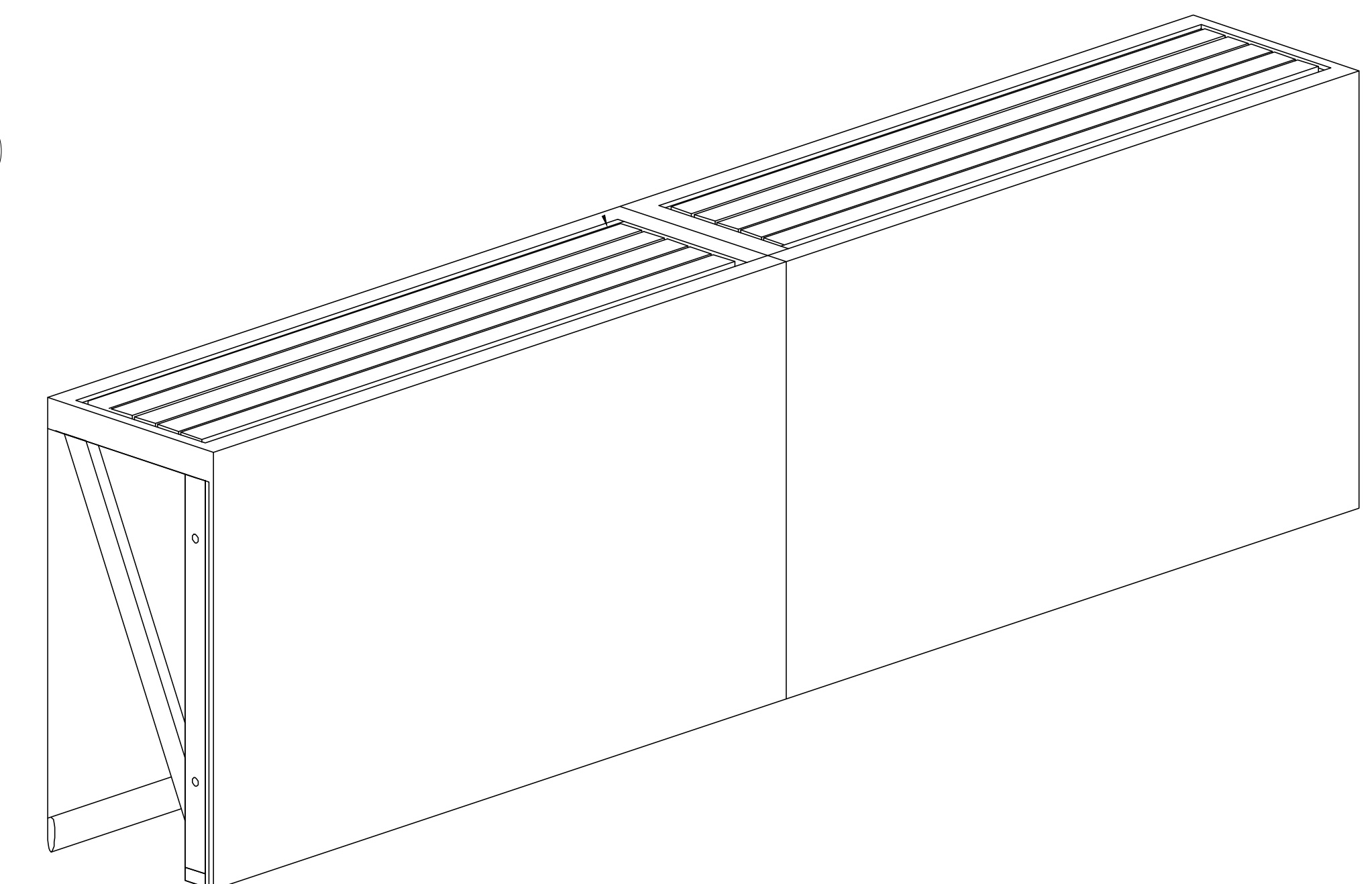
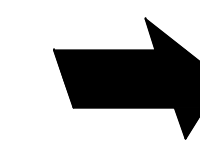
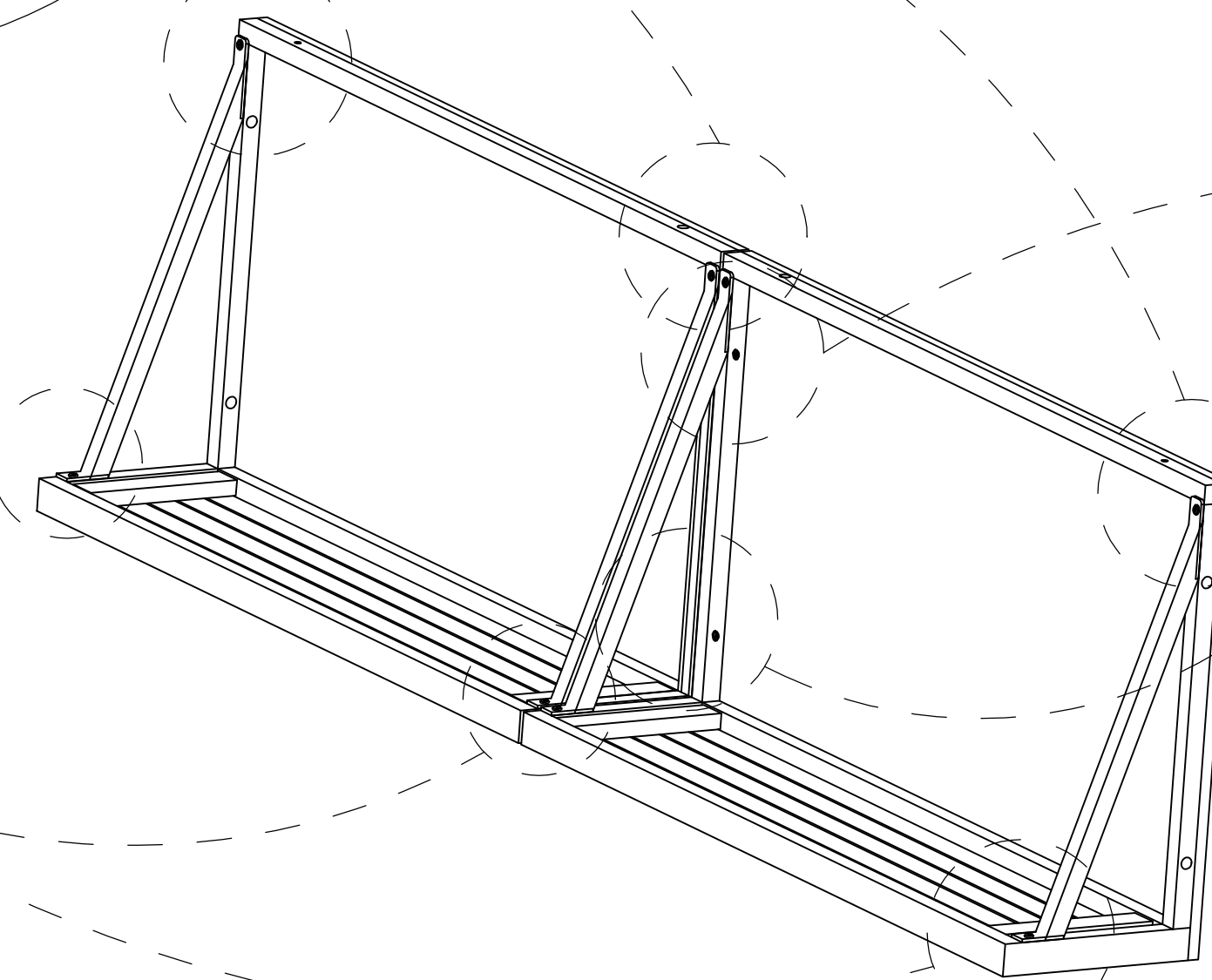
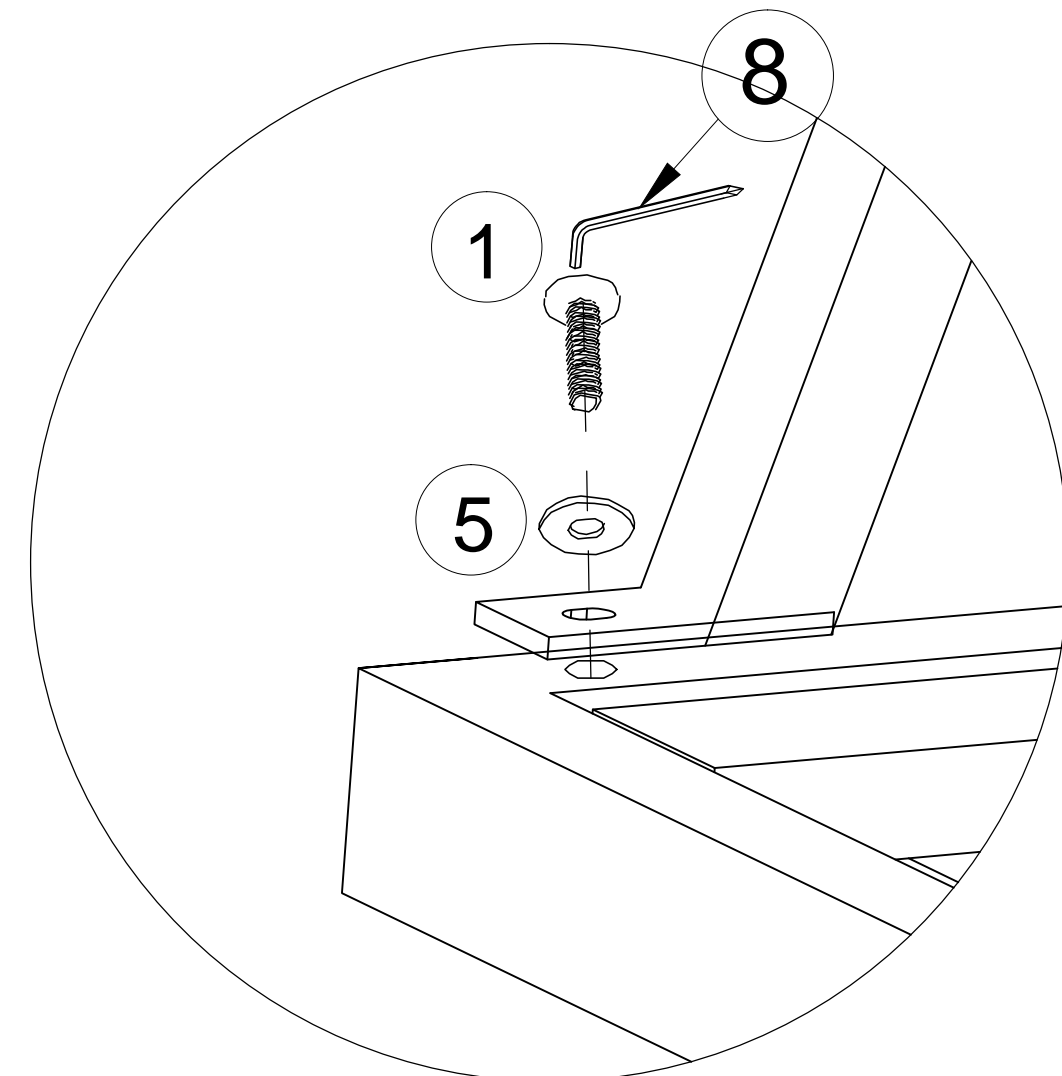
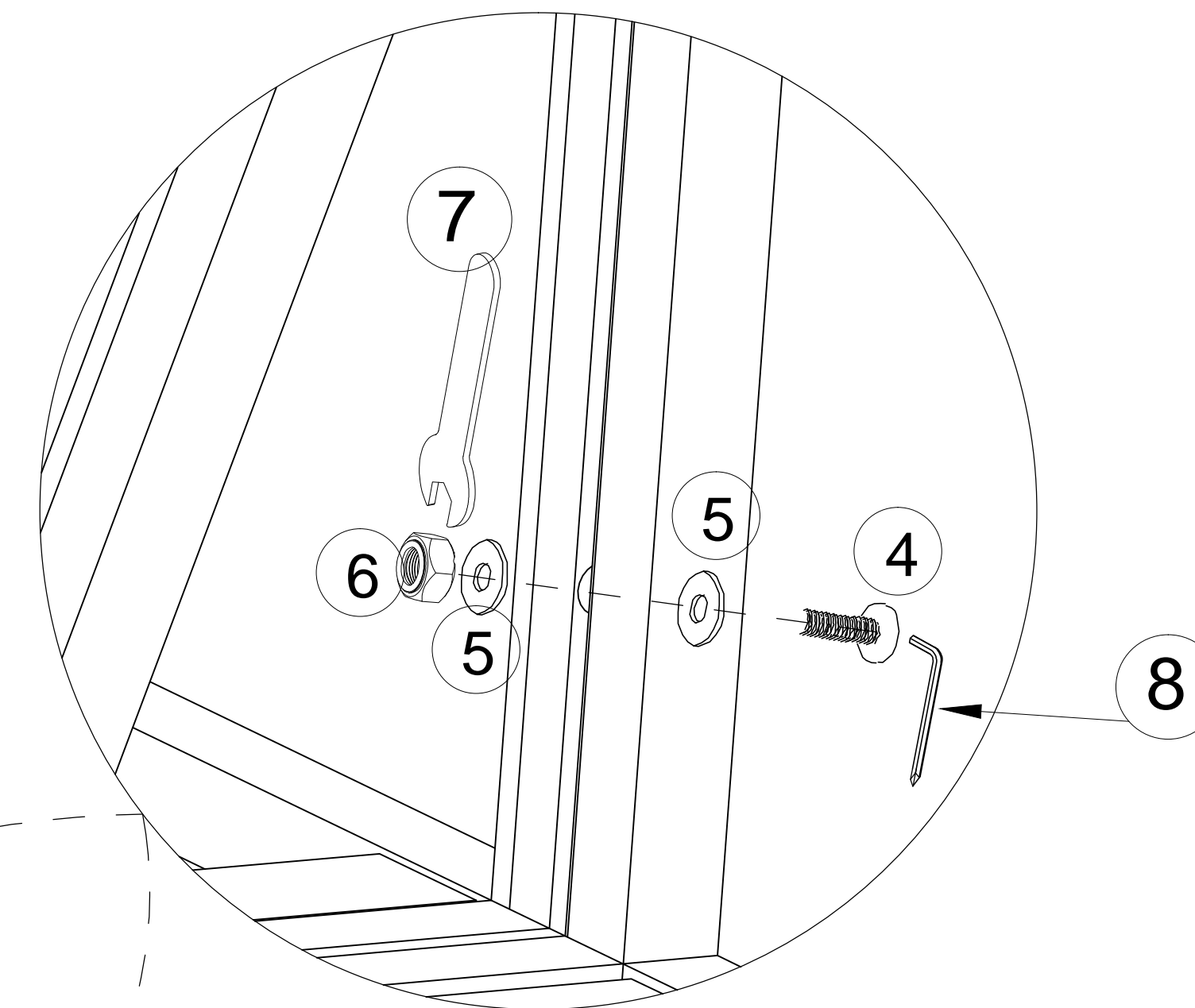
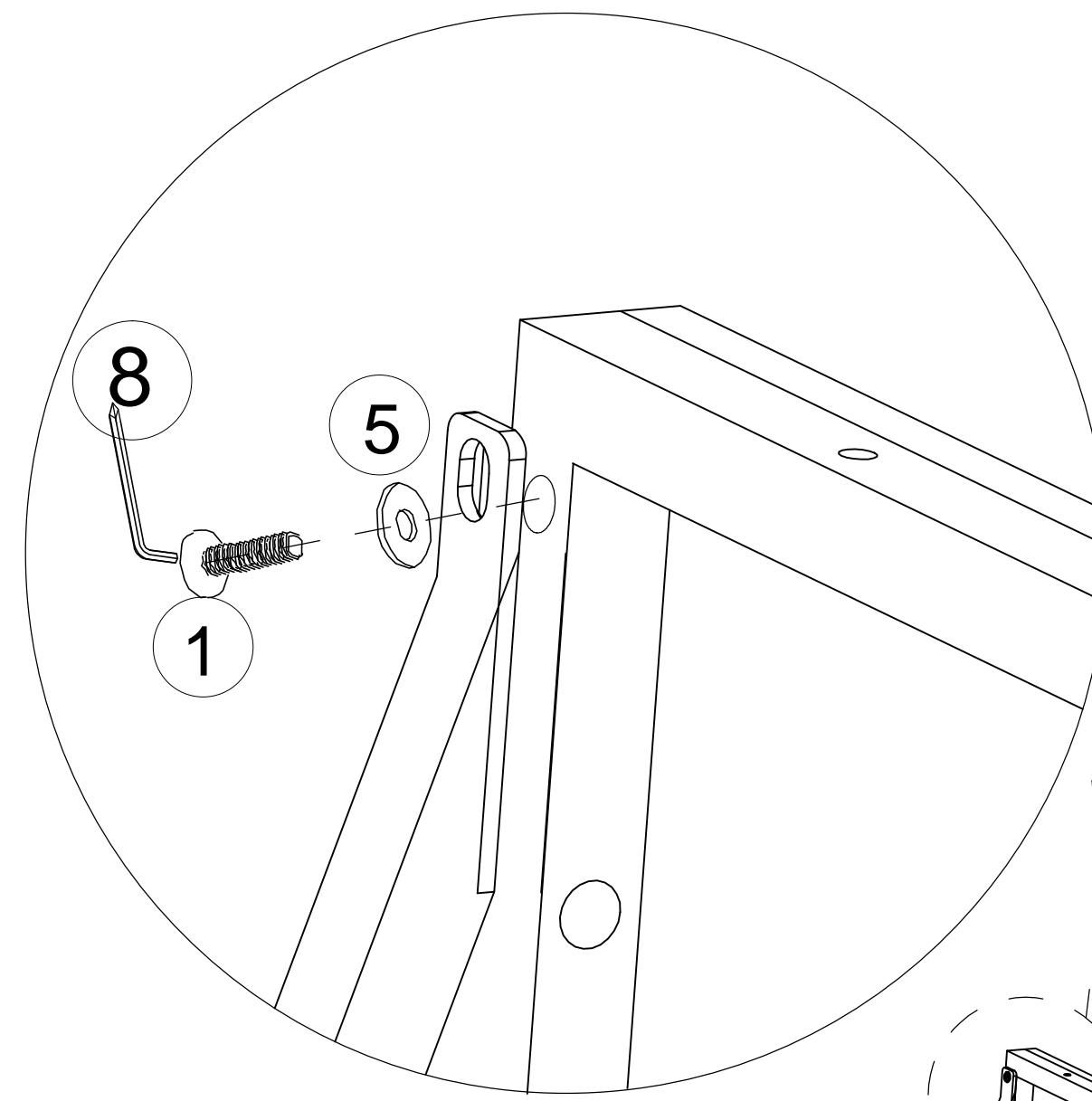
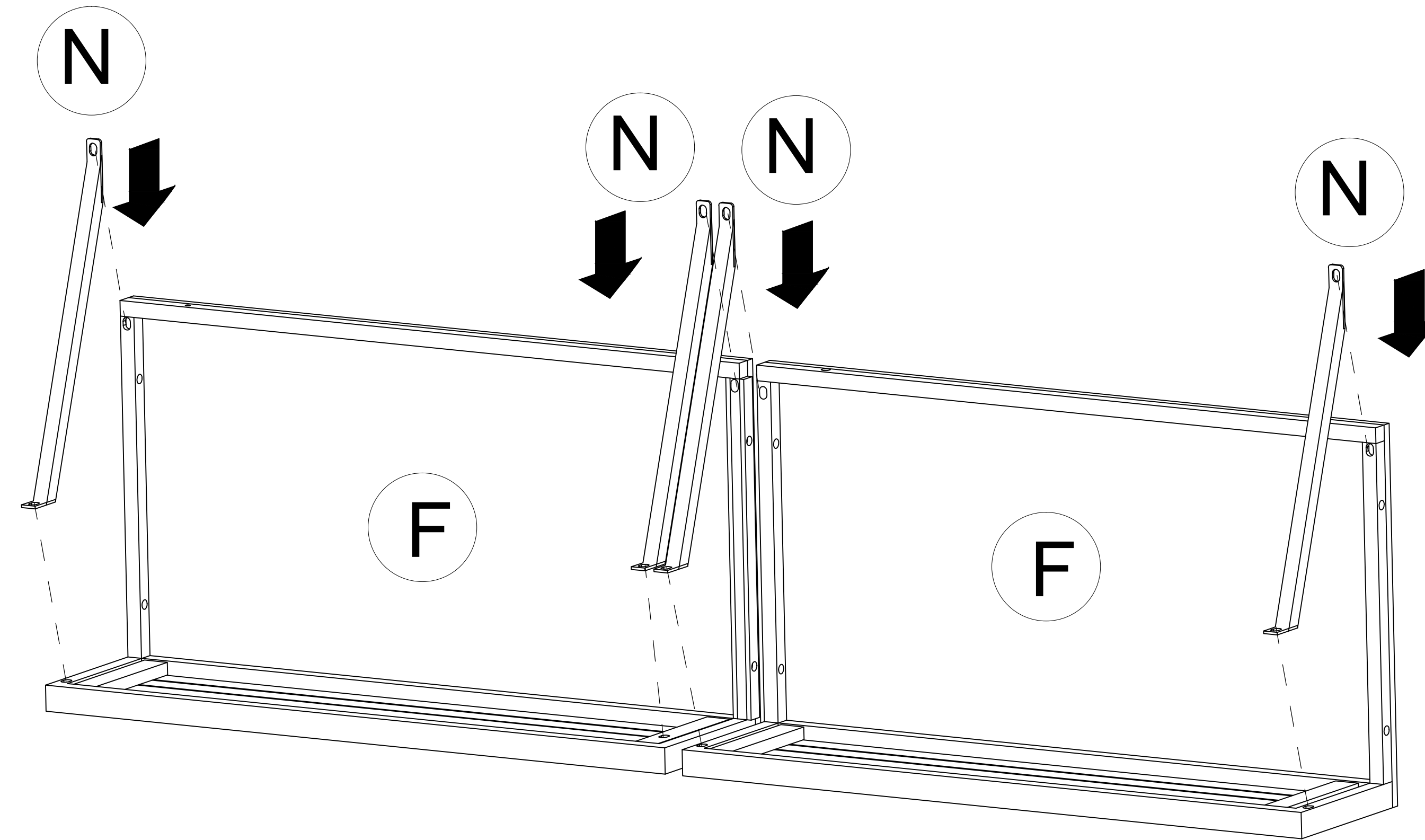
4 M6X40X2PCS



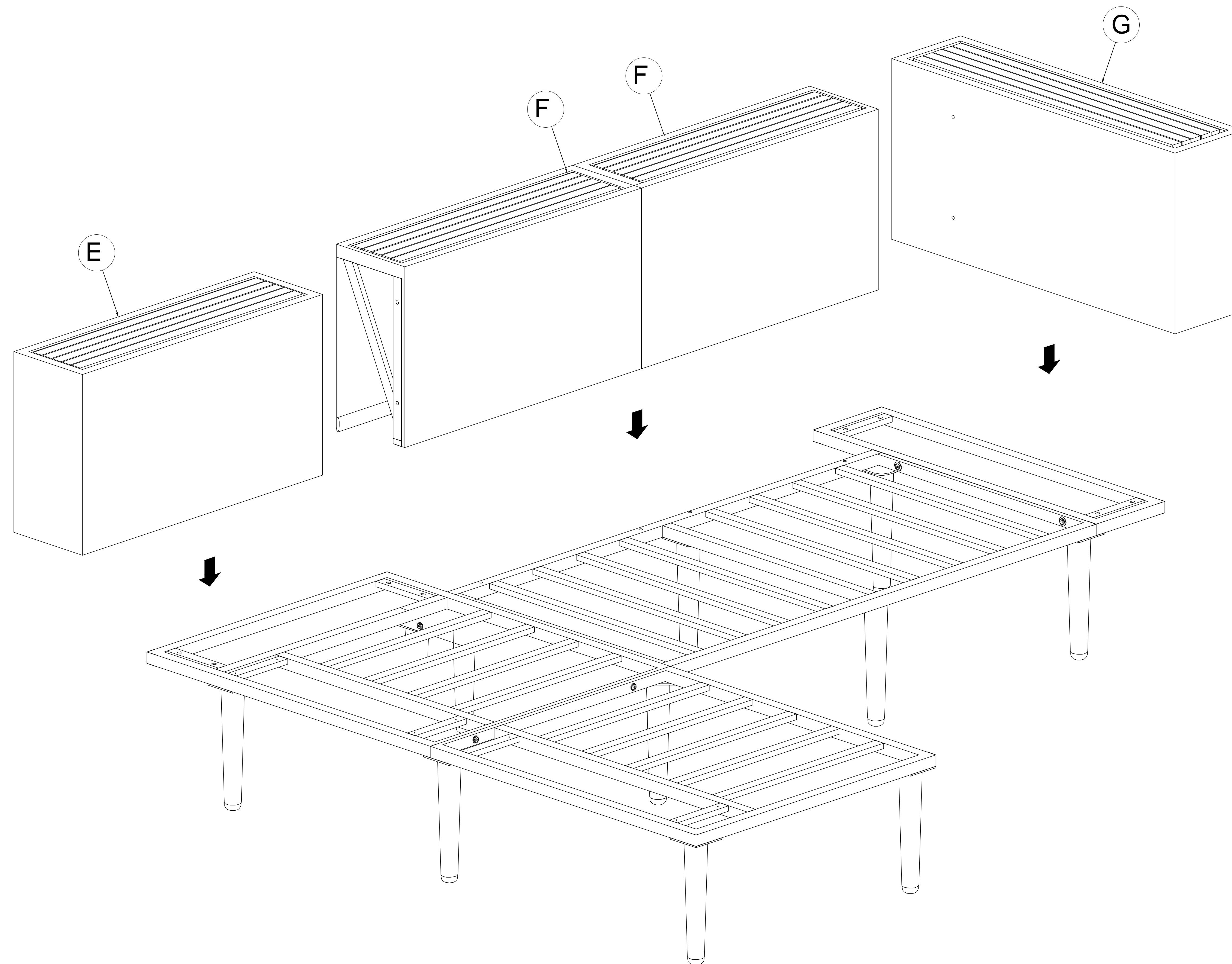
5 x 12 pcs



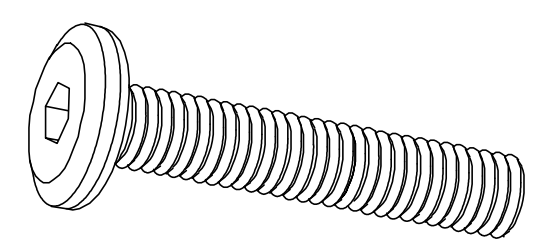
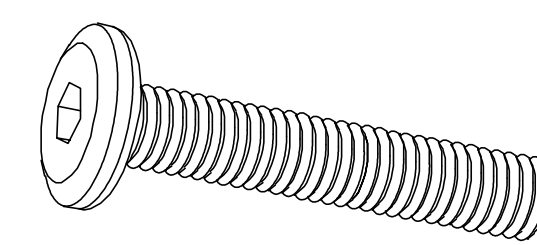
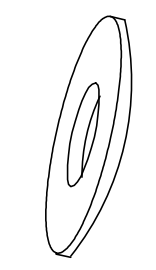
6 x 2 pcs

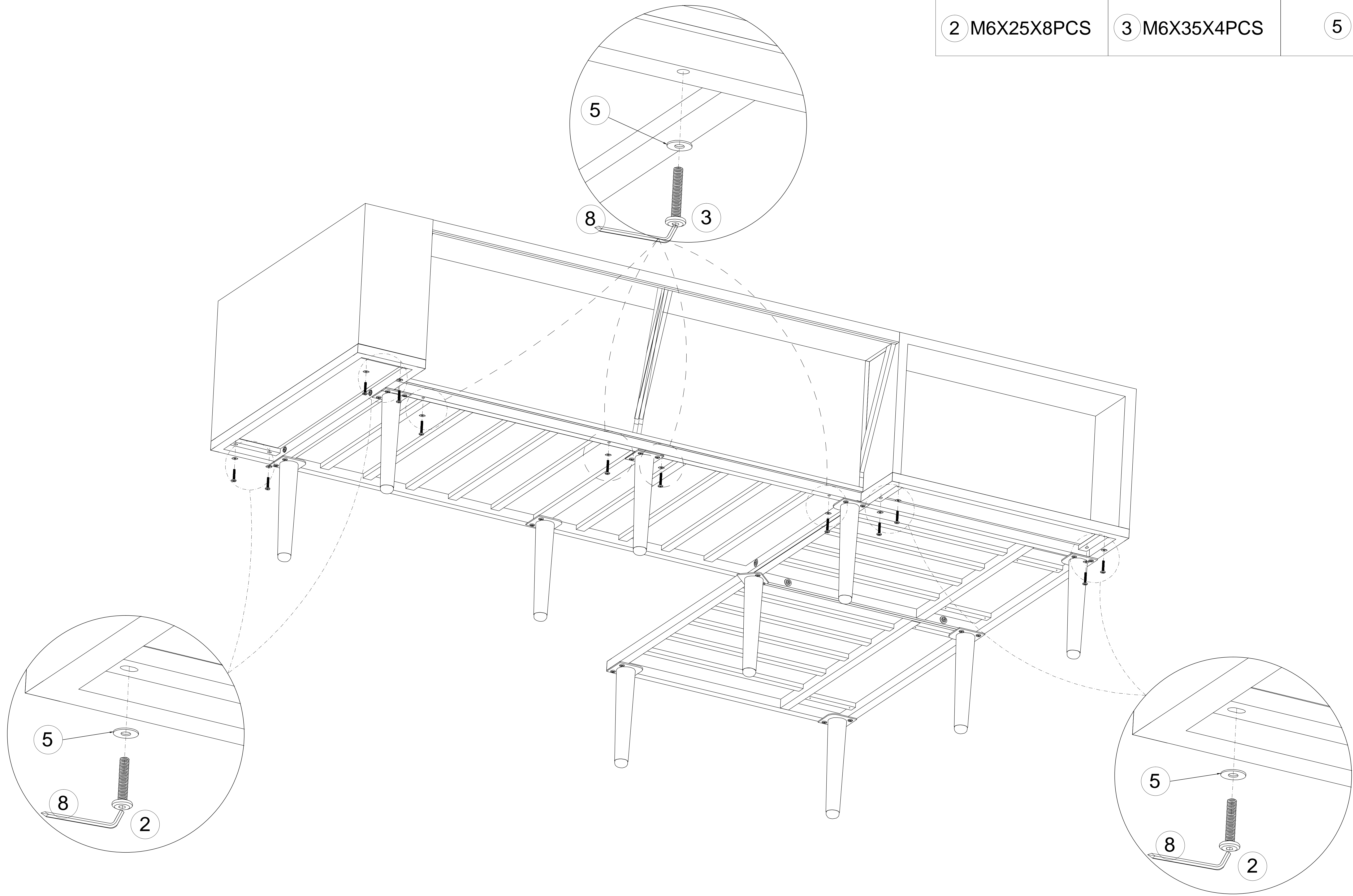


Step: 5 Following below illustration

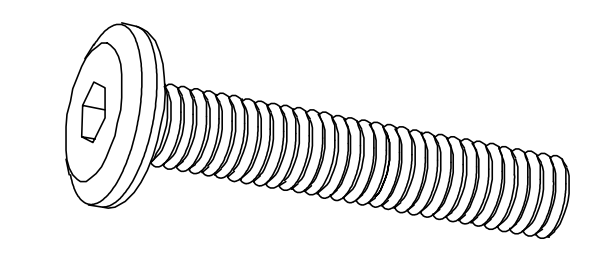


Step: 6 Following below illustration

- | | | |
|--|--|--|
| 
② M6X25X8PCS | 
③ M6X35X4PCS | 
⑤ x 12 pcs |
|--|--|--|



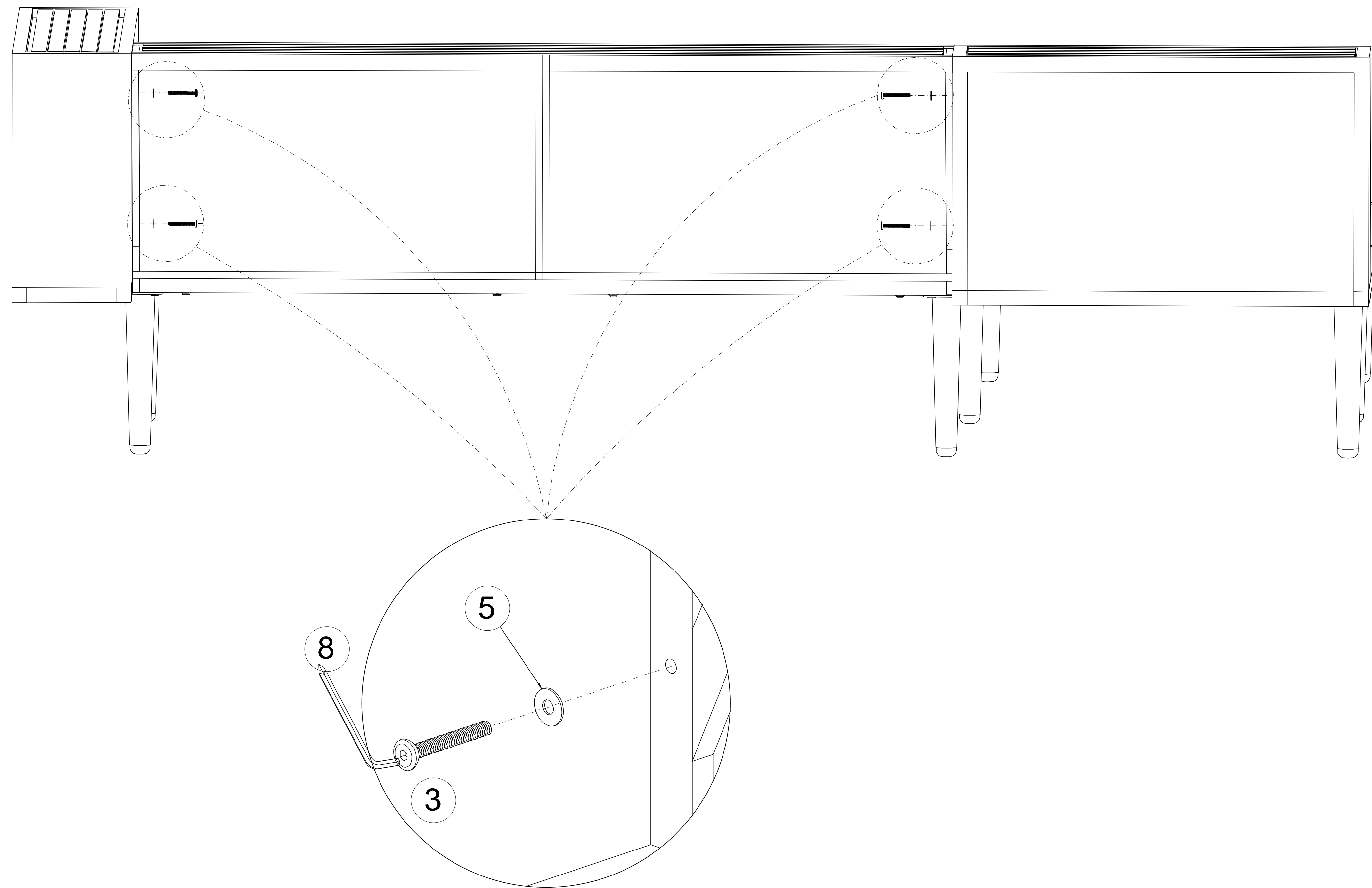
Step: 6 Following below illustration



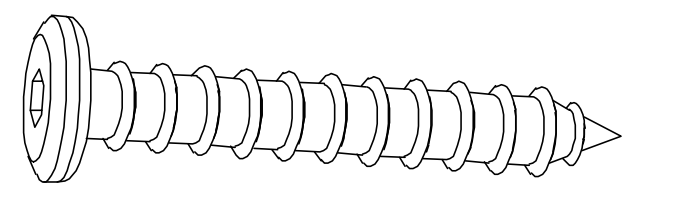
3 M6X35X4PCS



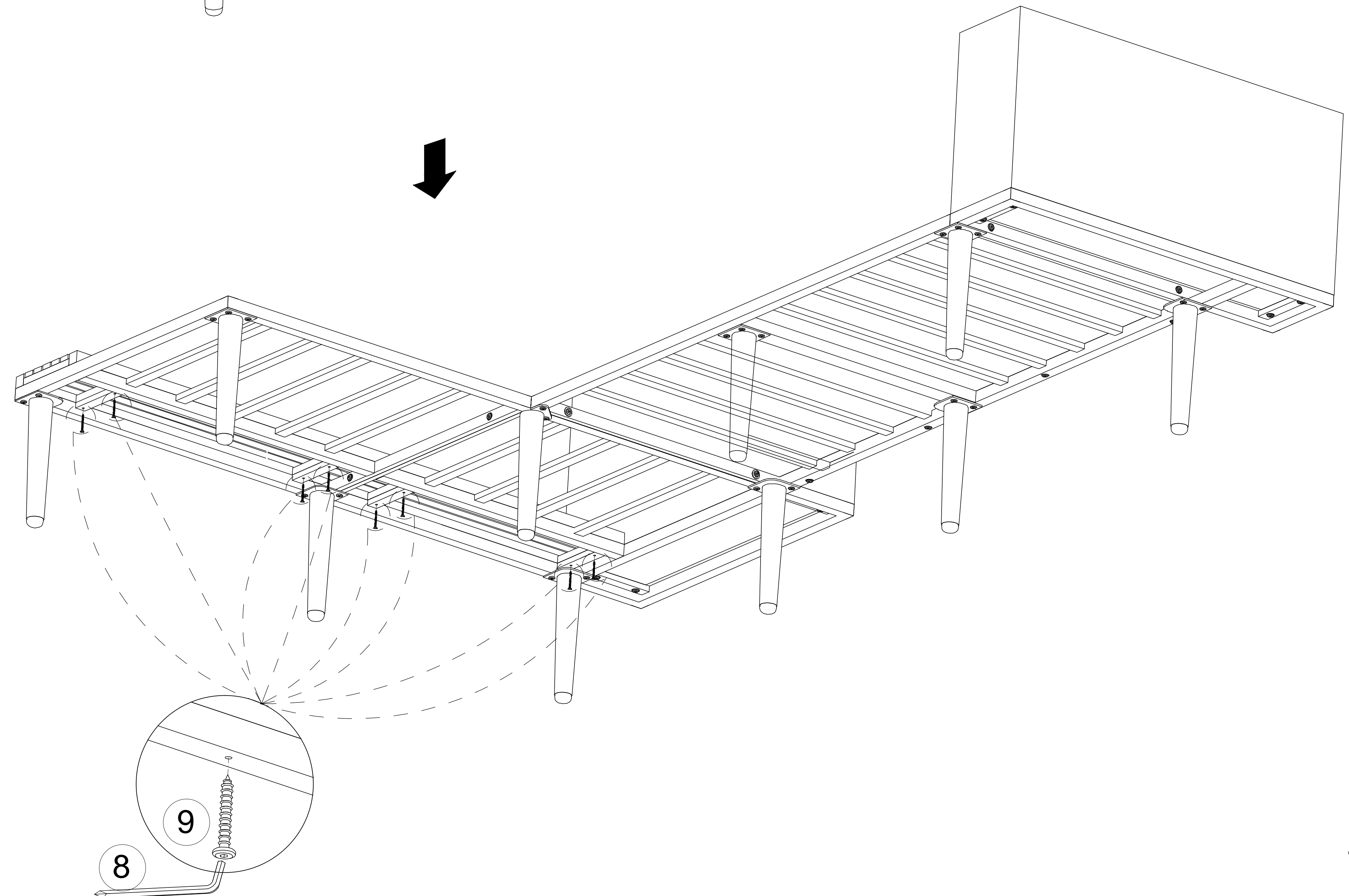
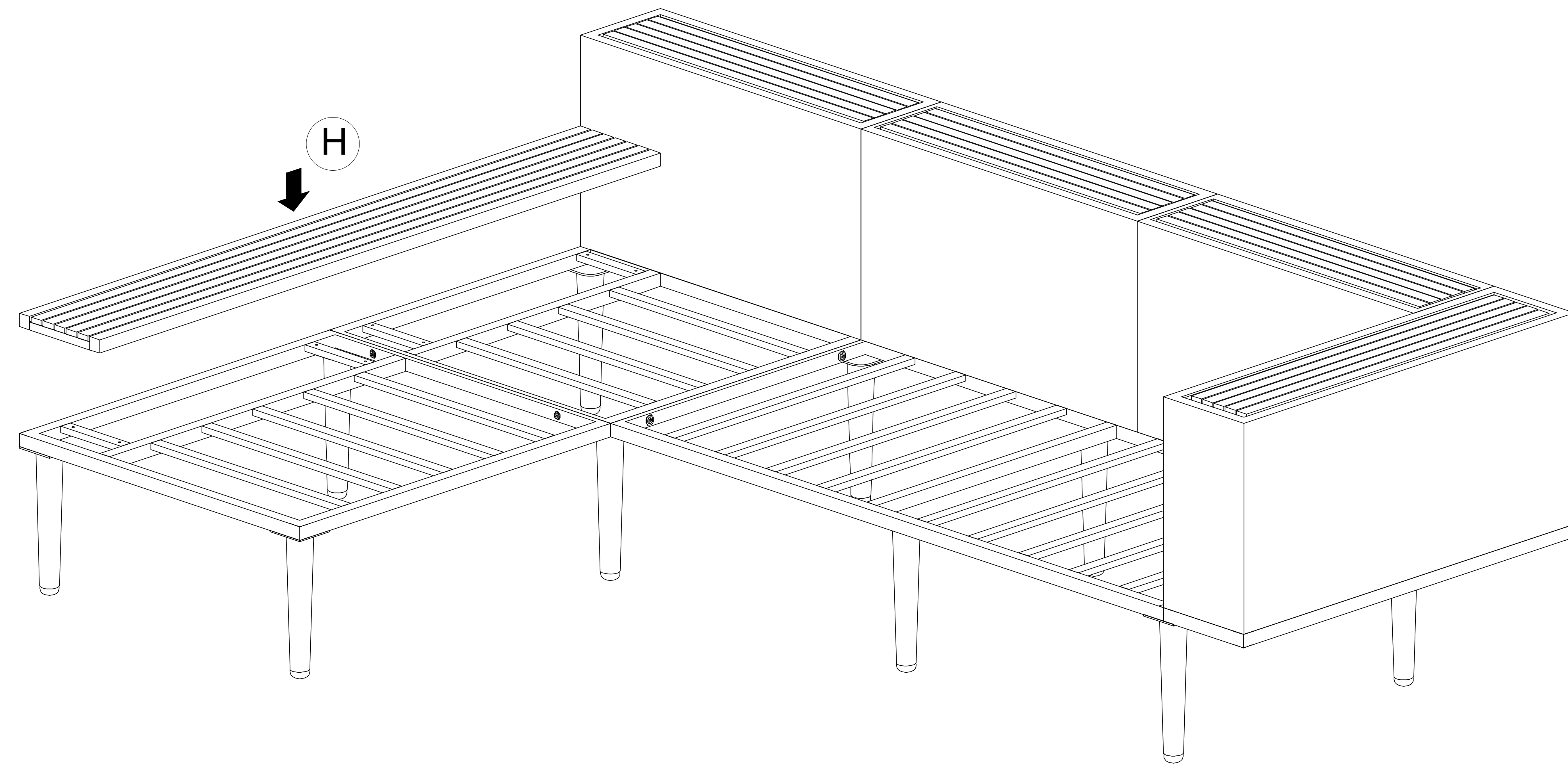
5 x 4 pcs



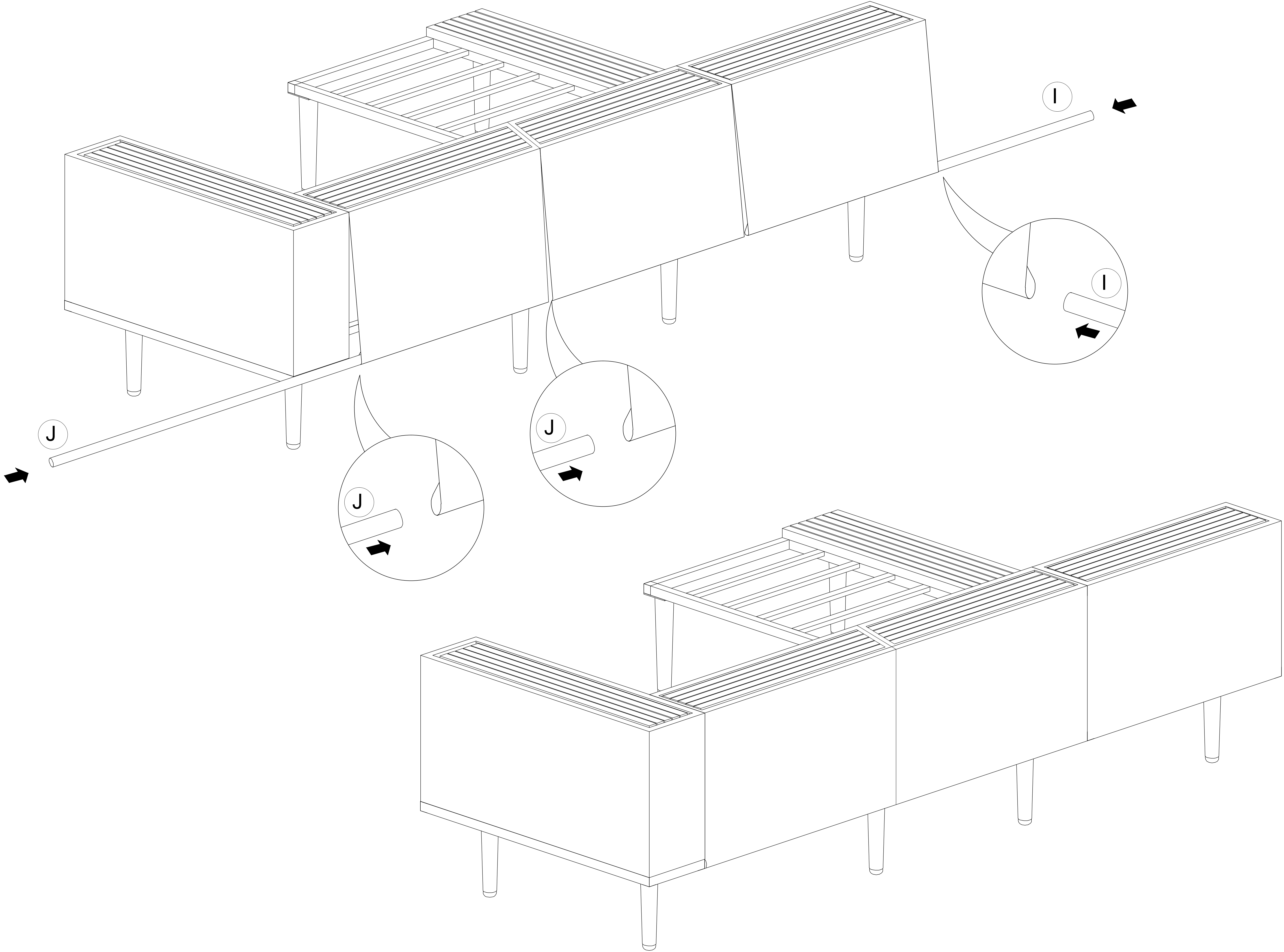
Step: 7 Following below illustration



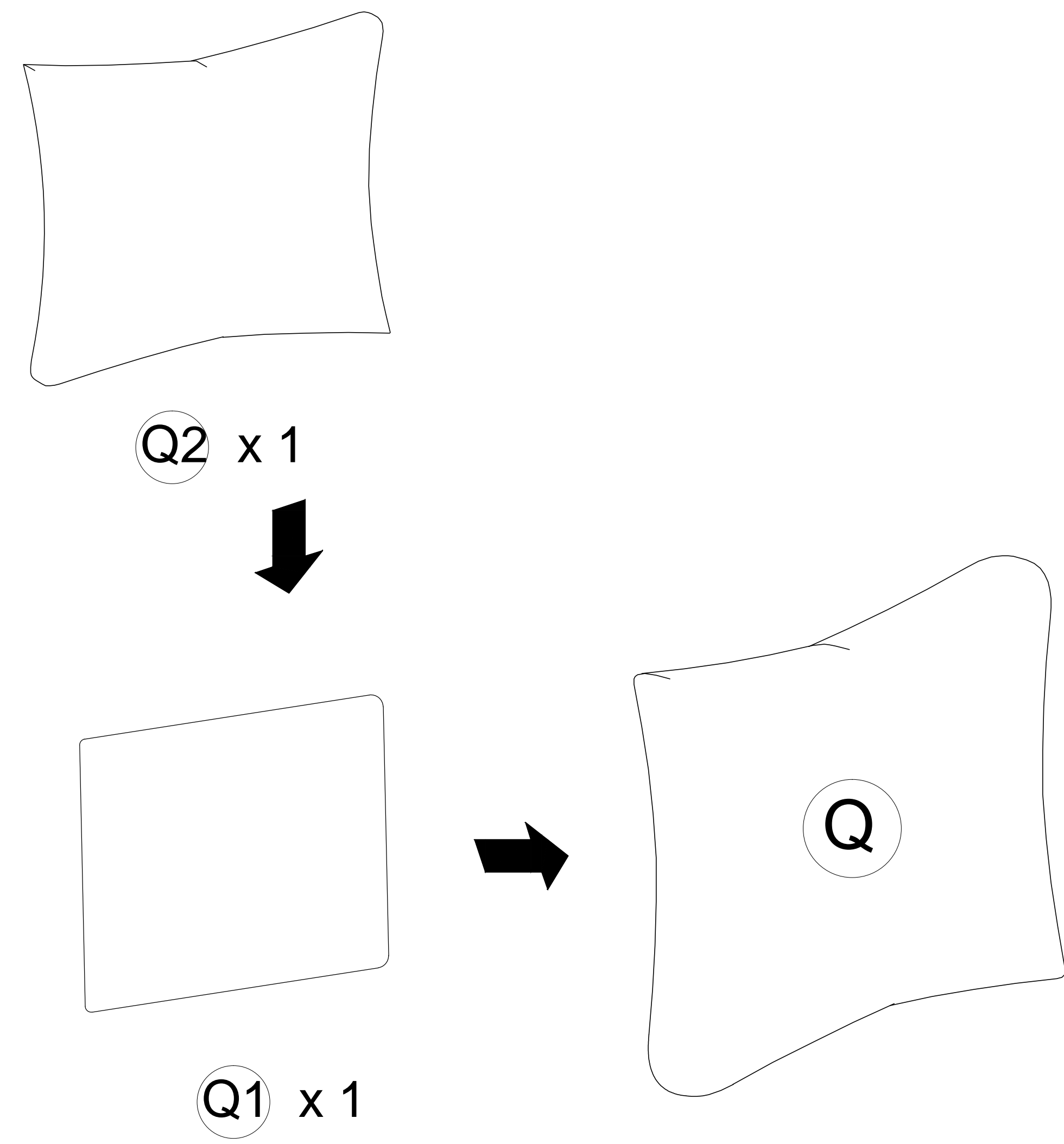
9 x 8 pcs



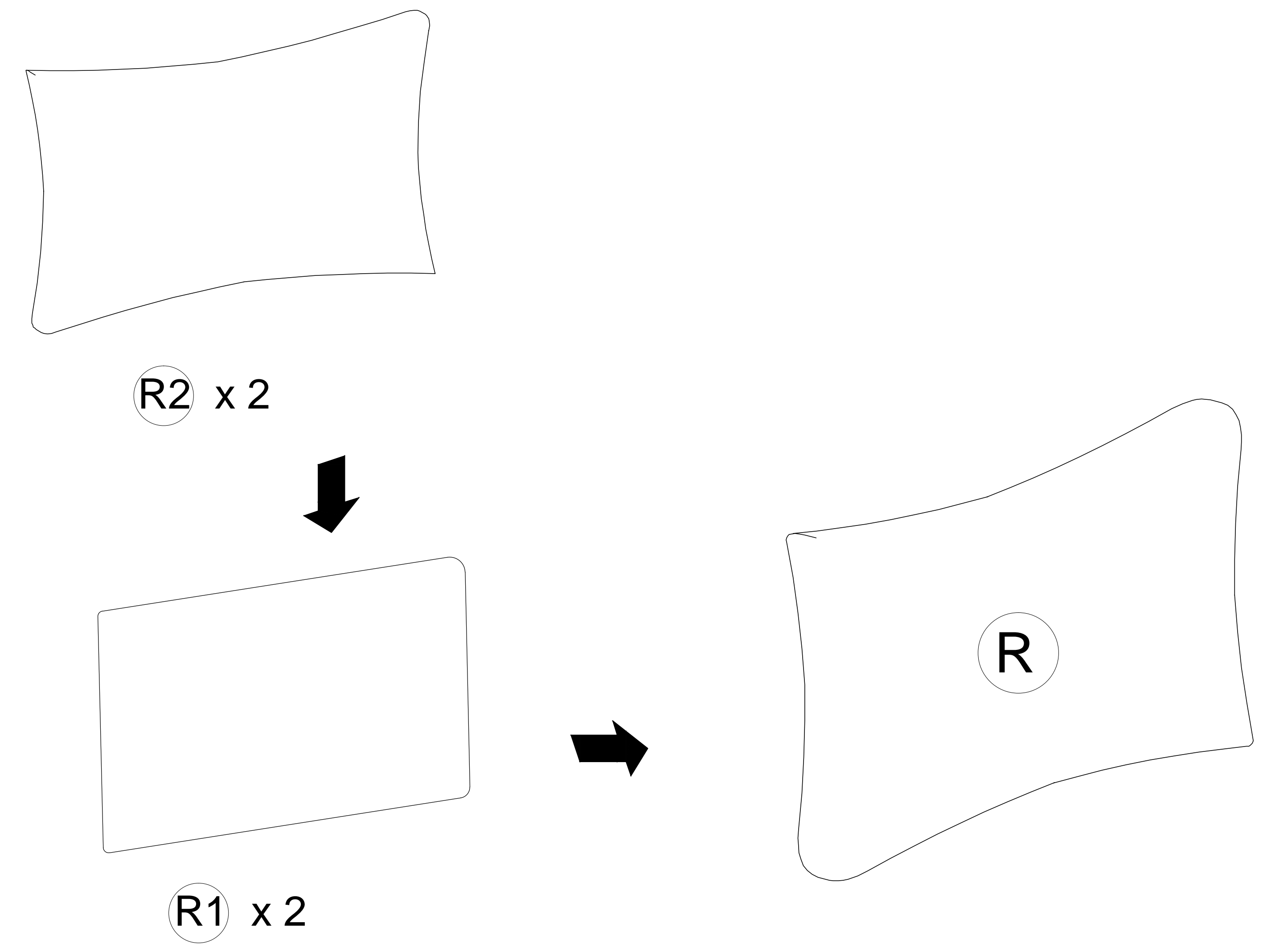
Step: 8 Following below illustration



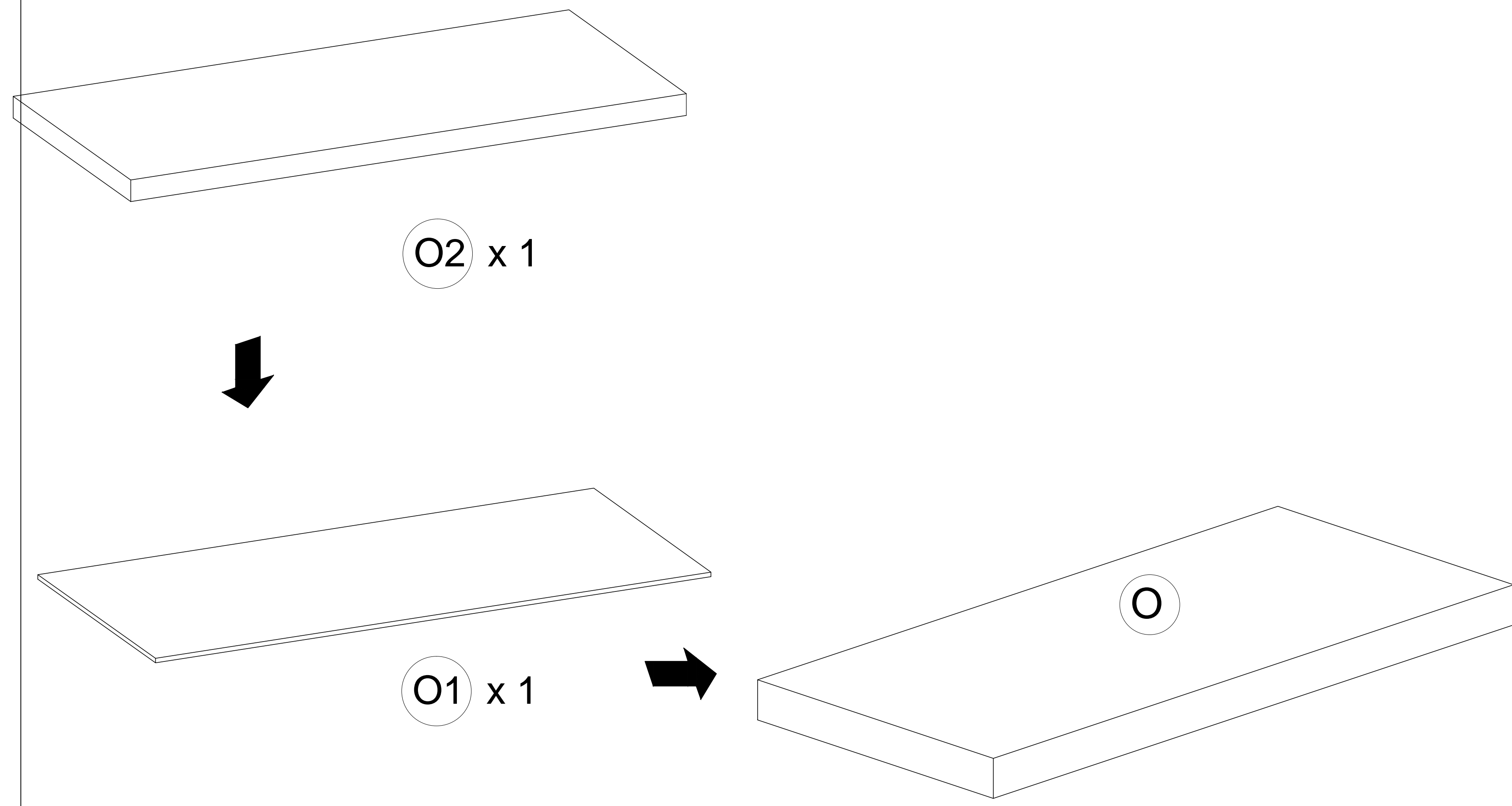
Step: 9 Following below illustration



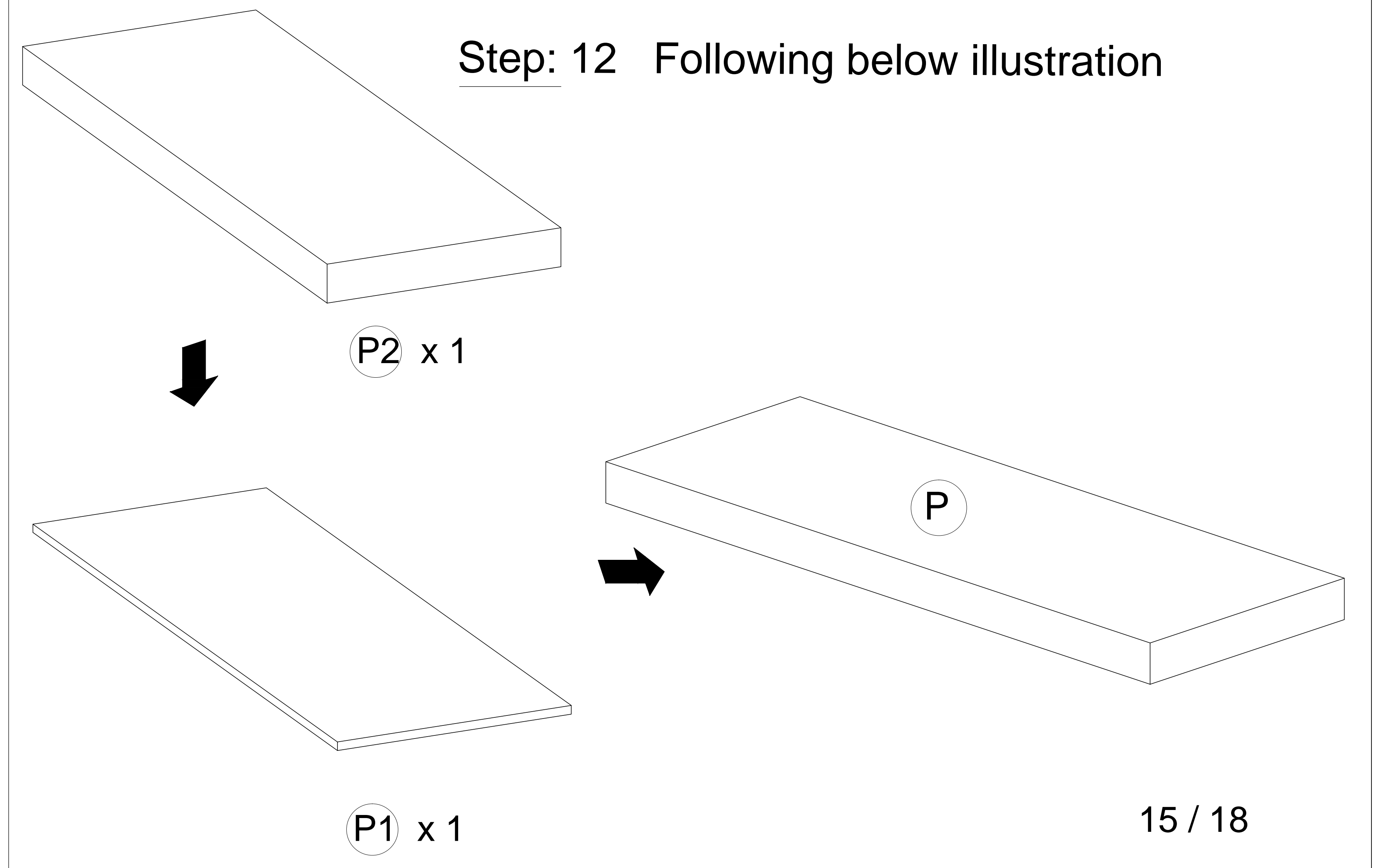
Step: 10 Following below illustration



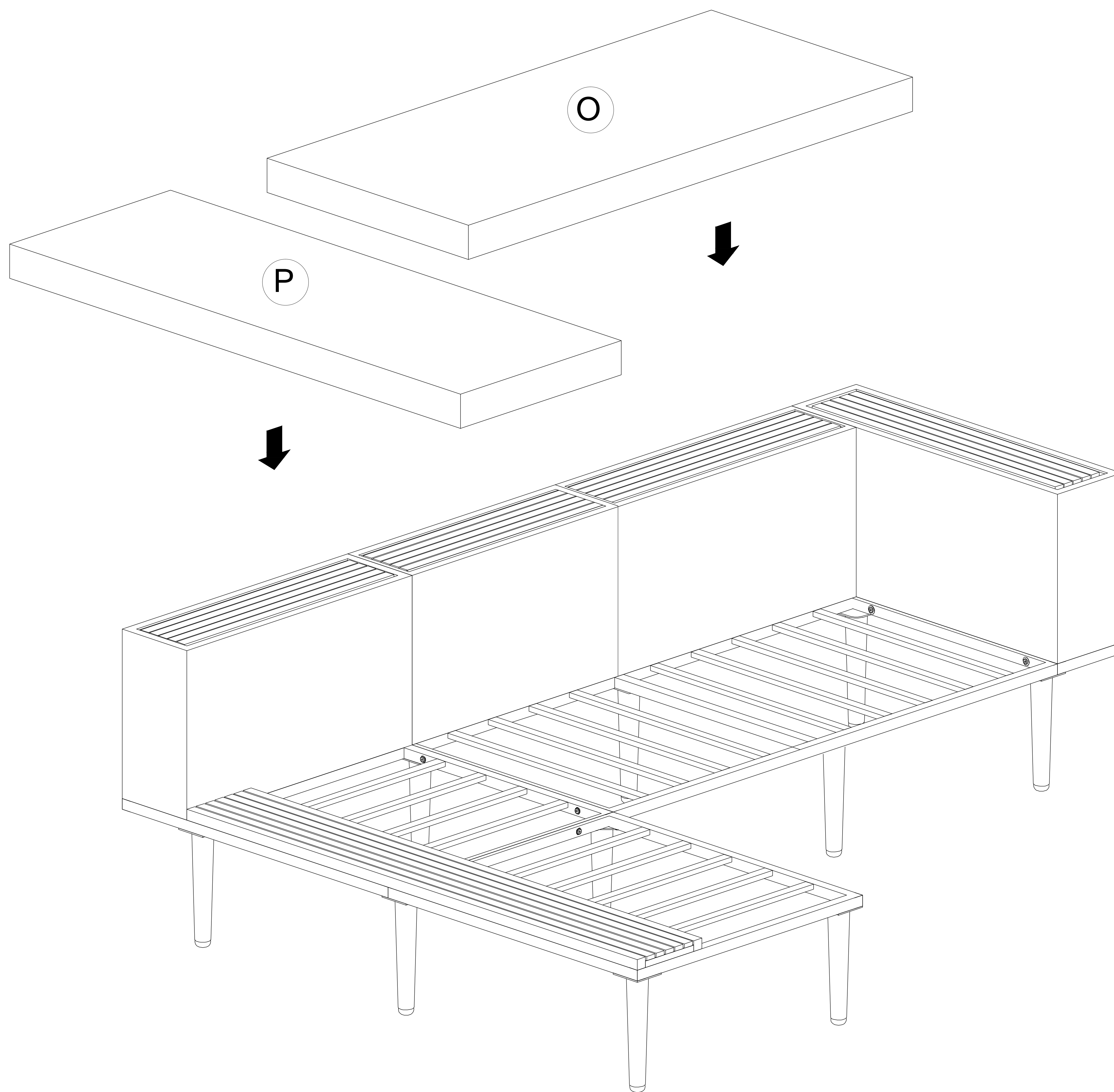
Step: 11 Following below illustration



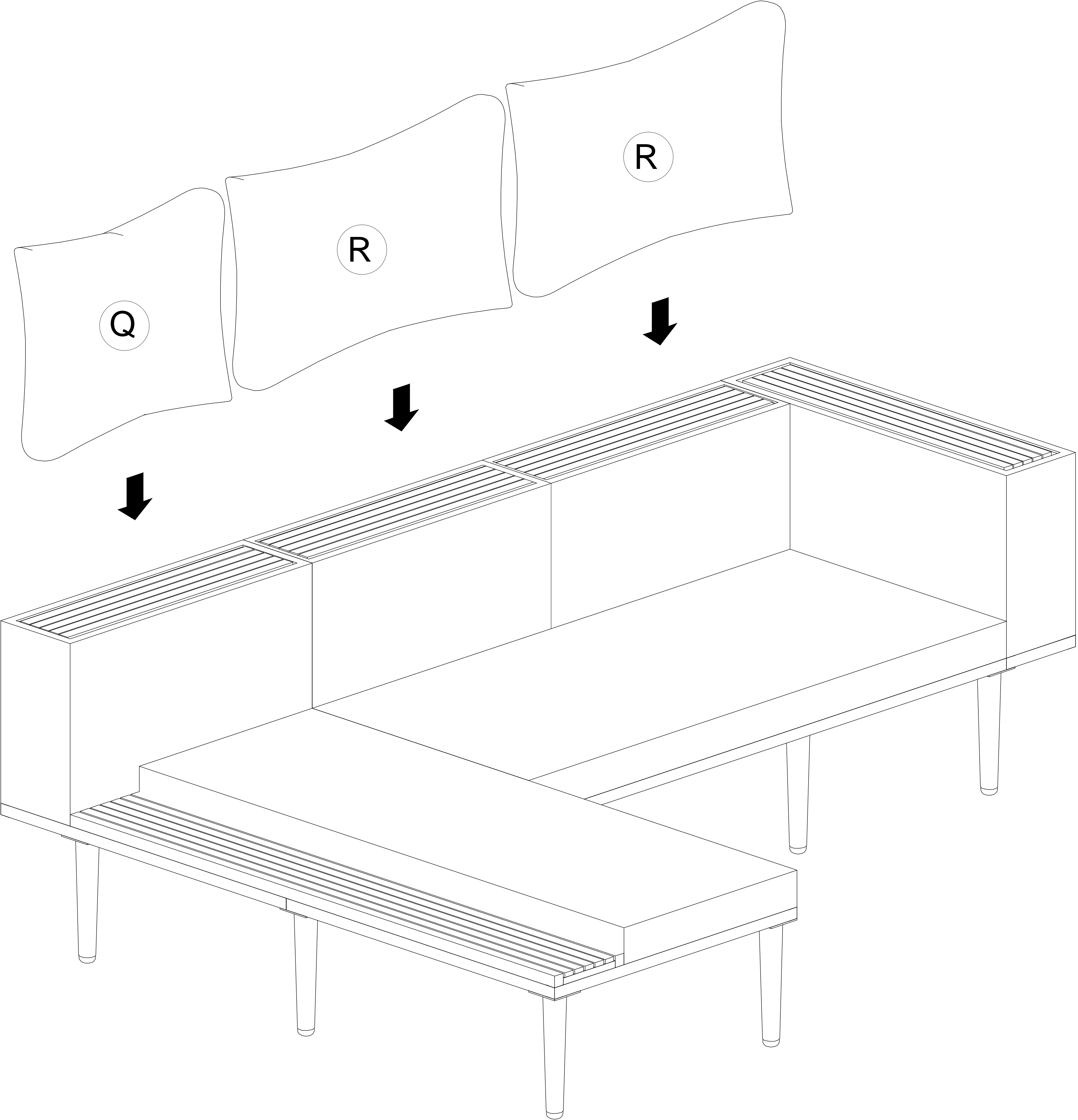
Step: 12 Following below illustration



Step: 13 Following below illustration



Step: 14 Following below illustration



Step: 15 Following below illustration

FINISH

Please allow 48 hours for the seat to reach optimal comfort

