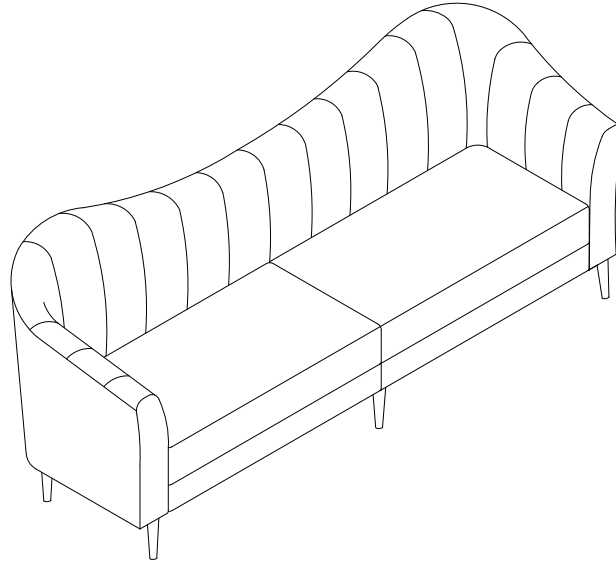
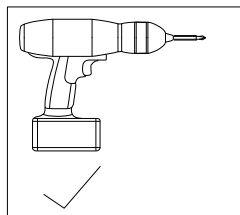


ASSEMBLY INSTRUCTION

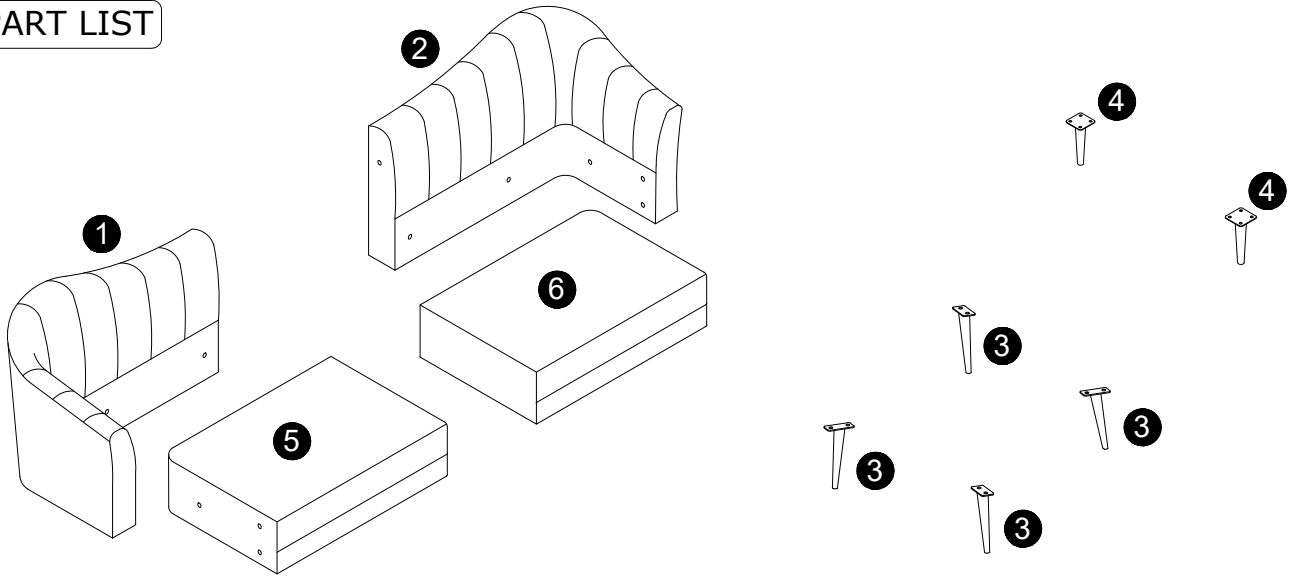


IMPORTANT NOTE

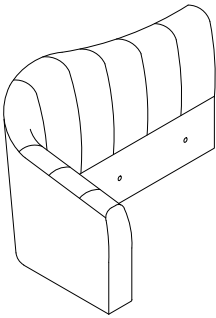
1. FOR THE PROTECTION OF YOUR FURNITURE, PLACE ALL PARTS ON A CLEAN AND SMOOTH SURFACE TO PREVENT ANY DAMAGE.
2. DO NOT USE POWER TOOLS TO ASSEMBLE THE SOFA.
3. PLEASE PERIODICALLY CHECK ALL FITTINGS AND RE-TIGHTEN AS NECESSARY.
4. DO NOT USE THE SOFA UNLESS ALL BOLTS AND SCREWS ARE FIRMLY SECURED.
5. YOU CAN ASSEMBLE IT WITH OUR PACKAGING TOOLS OR WITH A.



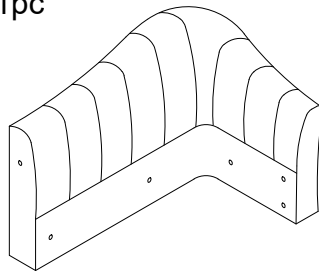
PART LIST



1 x 1pc



2 x 1pc



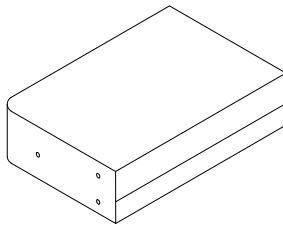
3 x 4pcs



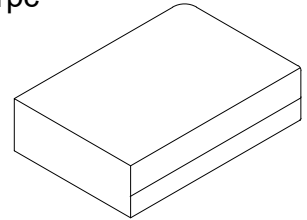
4 x 2pcs



5 x 1pc



6 x 1pc



HARDWARE LIST



H1 M5 x 1pc



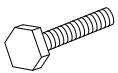
H2 M8x25mm x 16pcs



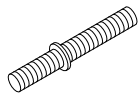
H3 M8 x 26pcs



H4 M8x22mm x 26pcs



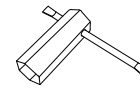
H5 M8x40mm x 4pcs



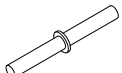
H6 M8x80mm x 6pcs



H7 M8 x 6pcs

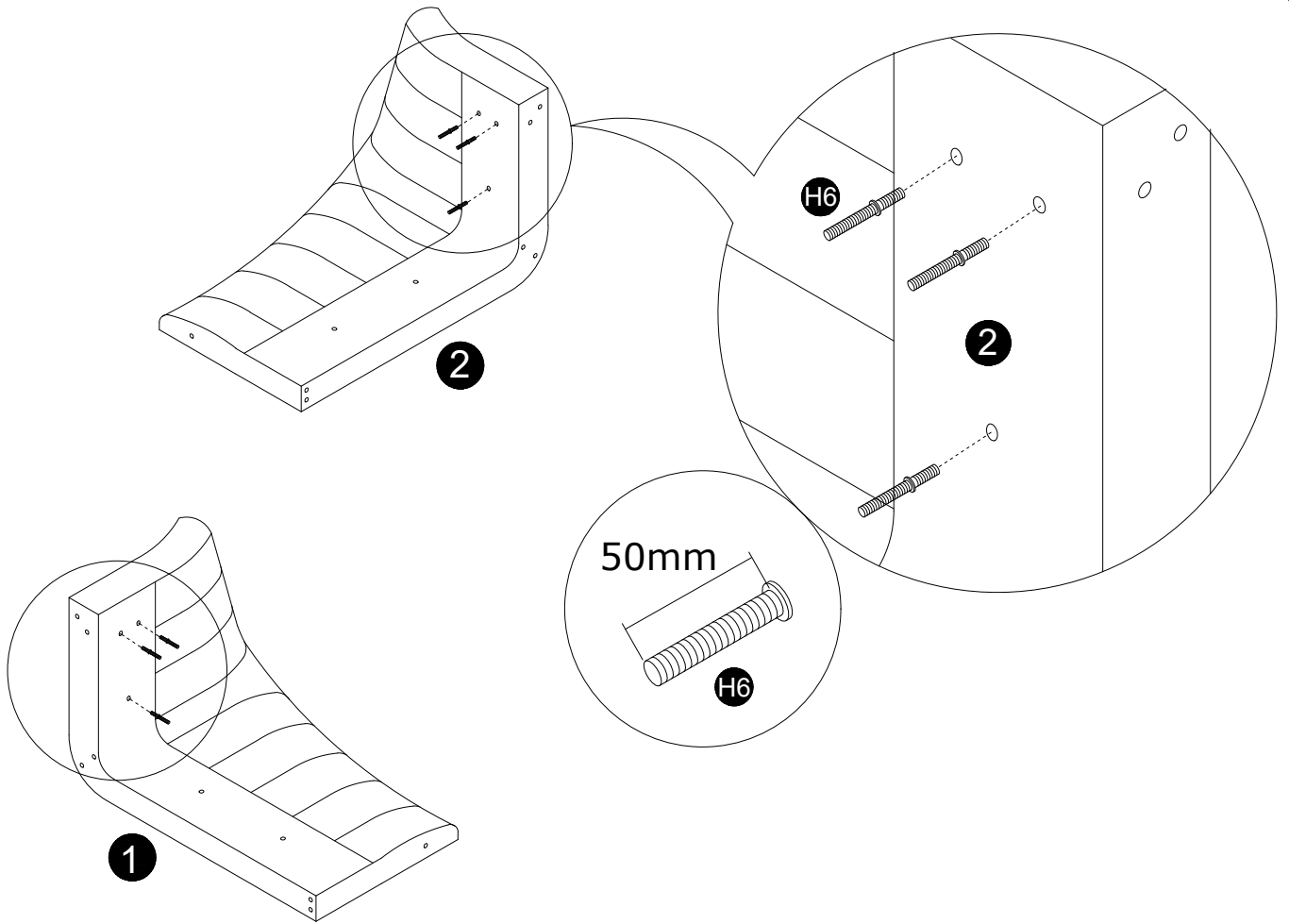


H8 x 1pc



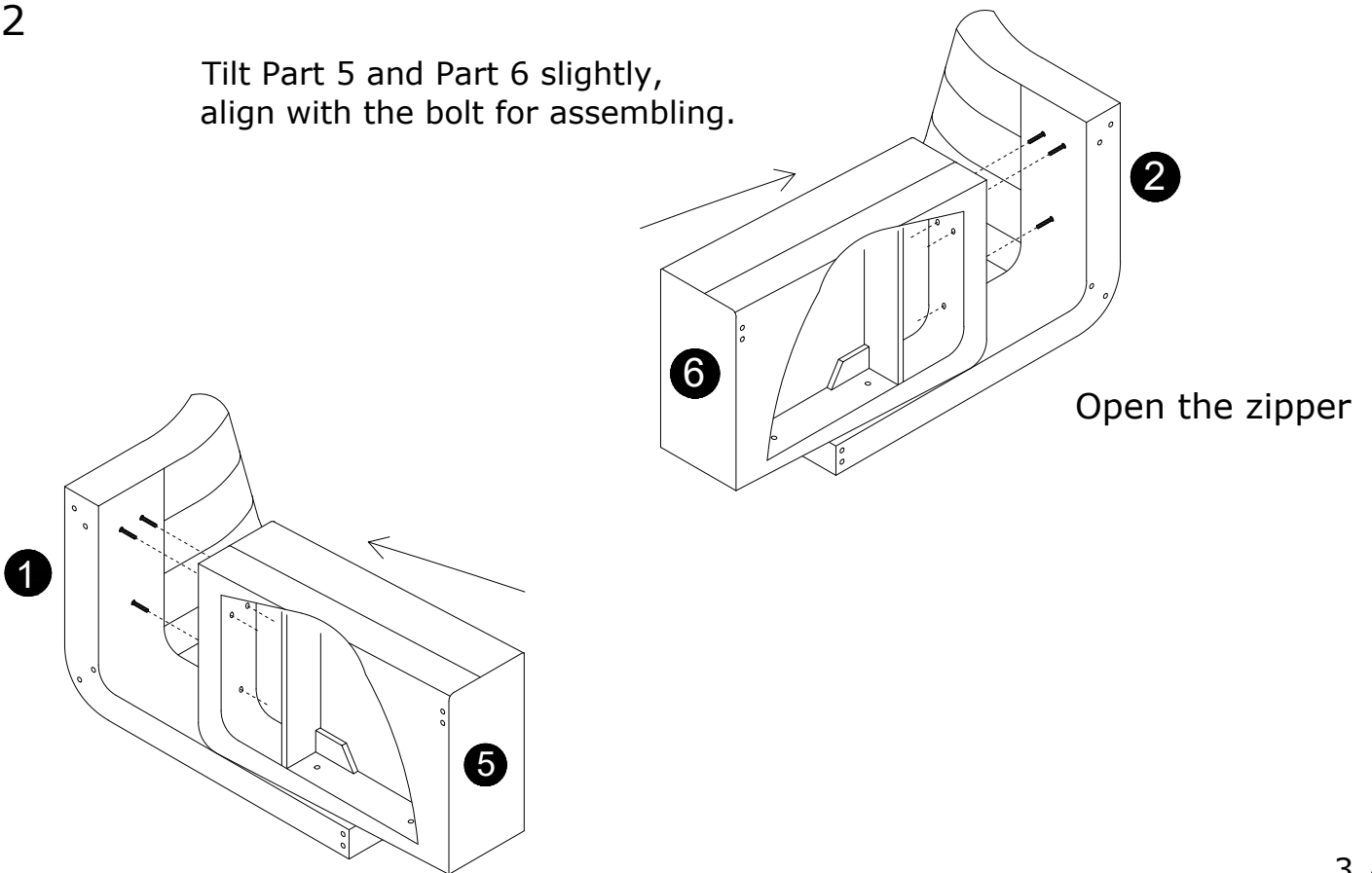
H9 M6x50mm x 1pc

1

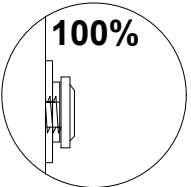
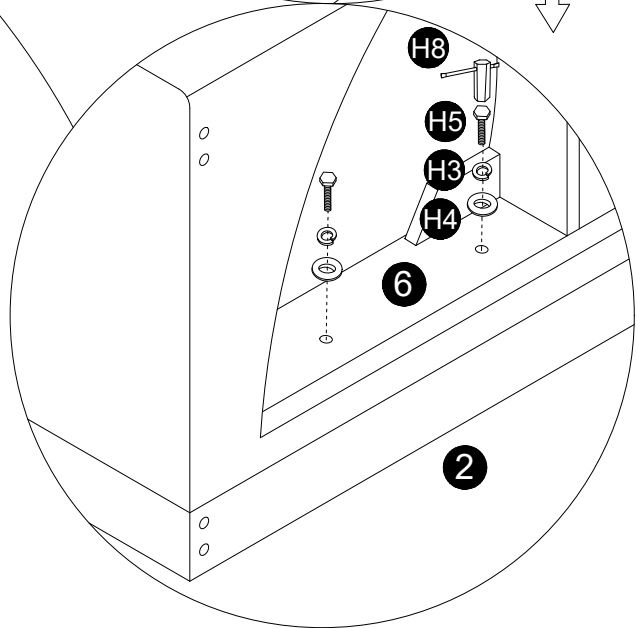
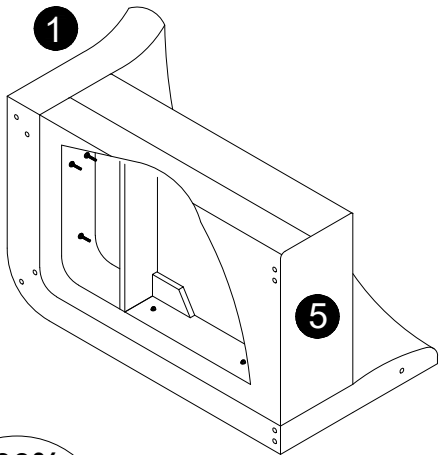
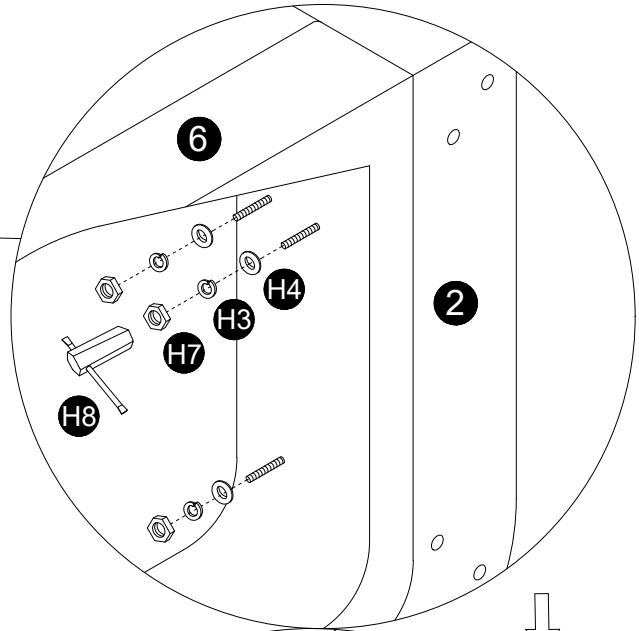
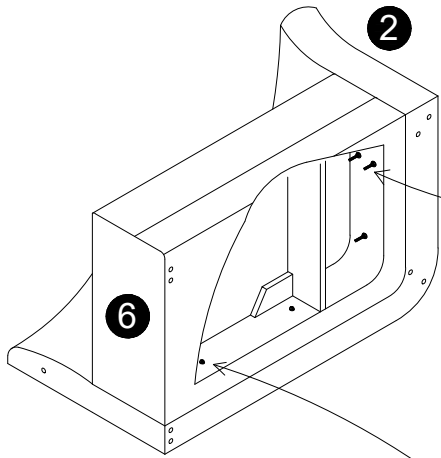


2

Tilt Part 5 and Part 6 slightly,
align with the bolt for assembling.

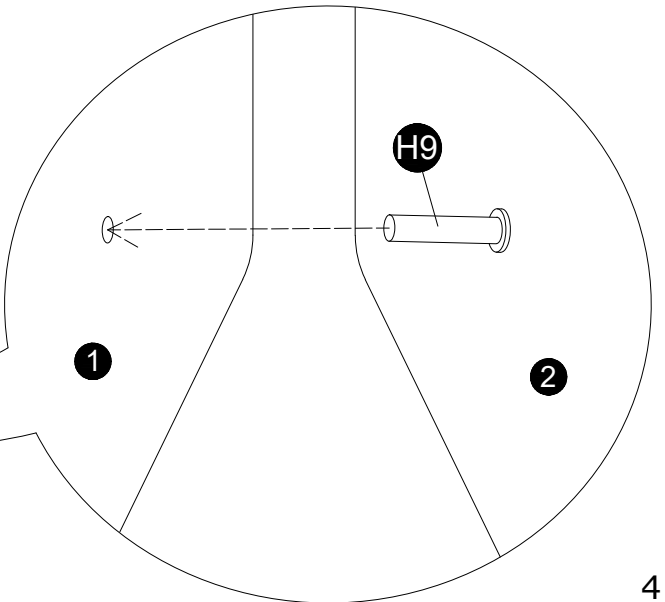
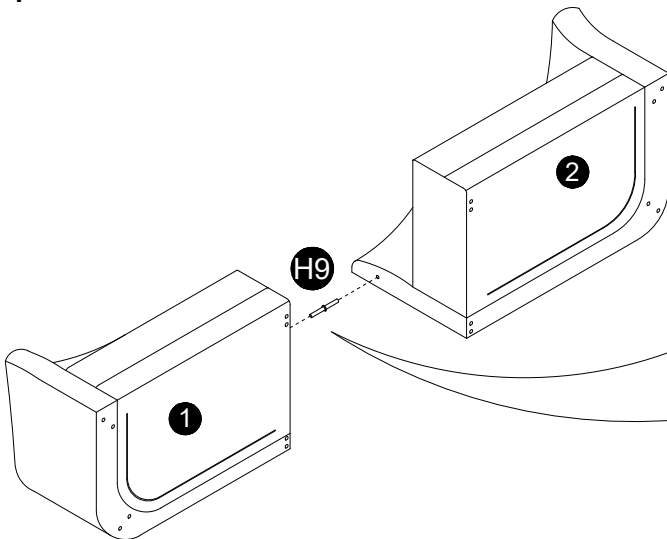


3



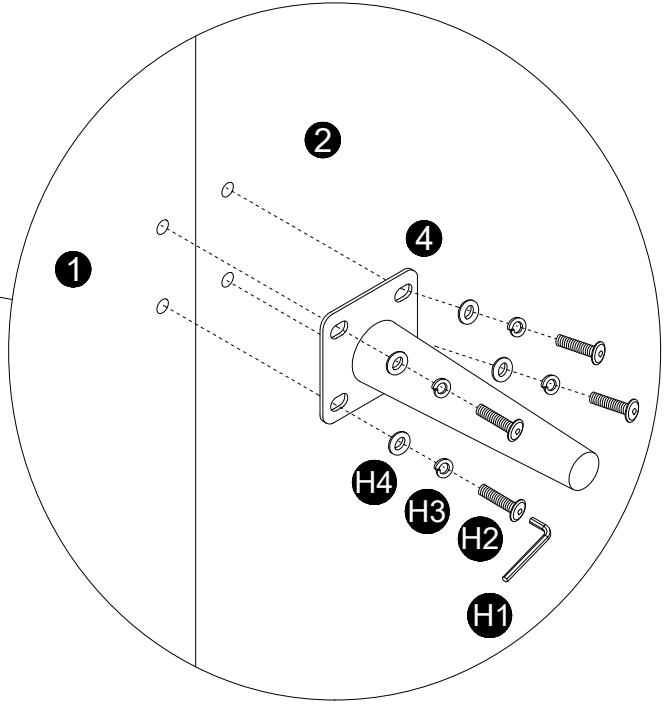
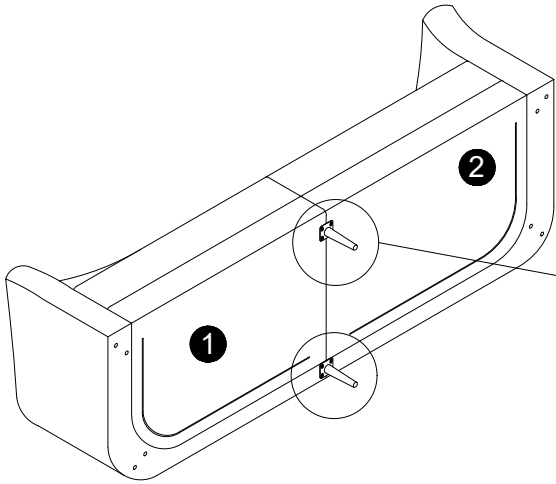
Fully tighten all fixings

4

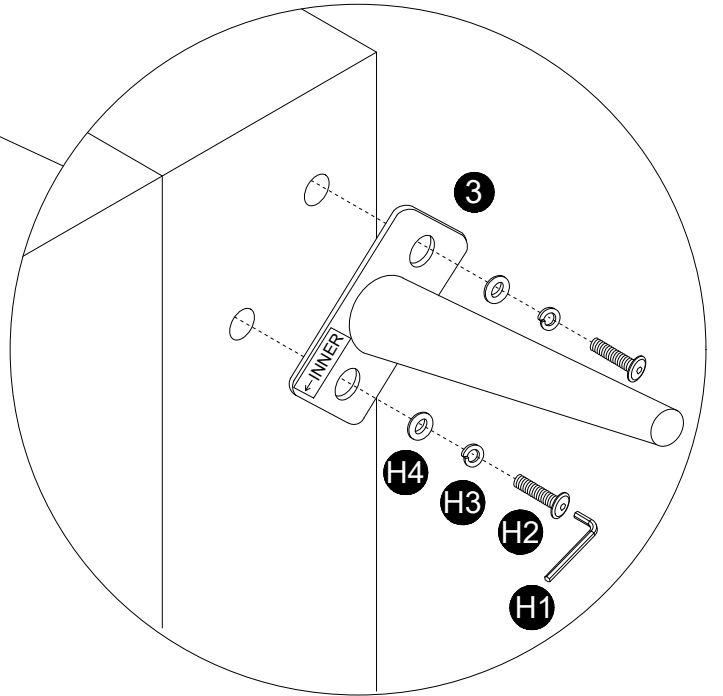
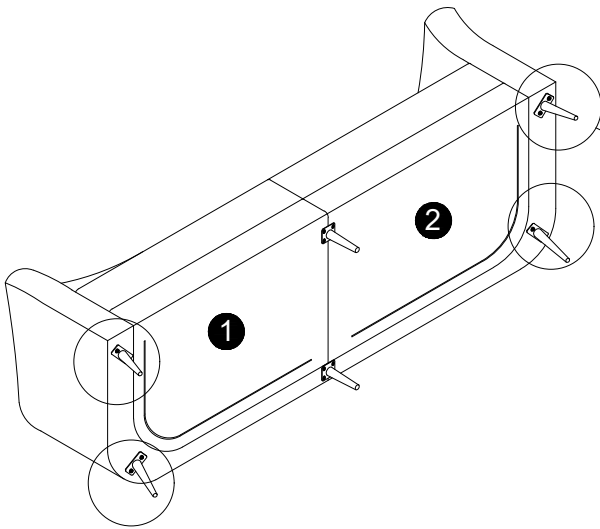


4

5



6



Job Complete !

In the interest of our environment please dispose of all packaging thoughtfully.