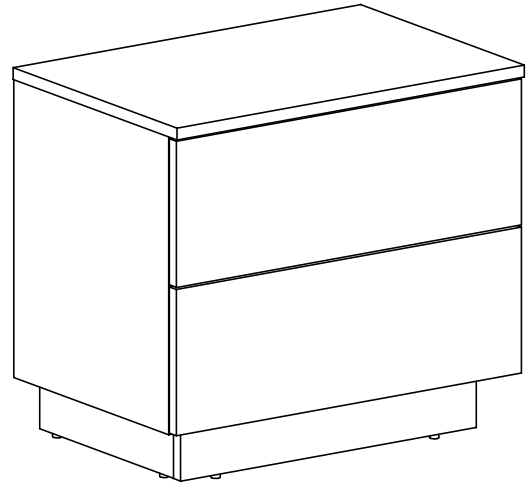
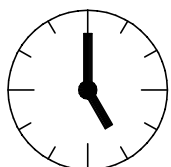
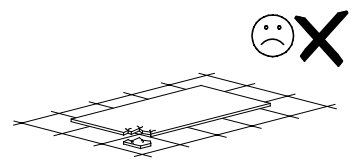
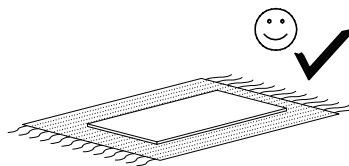
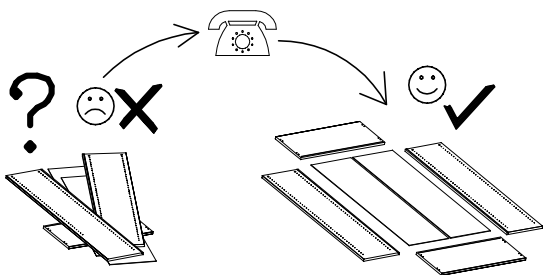
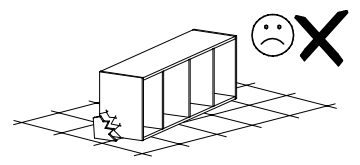
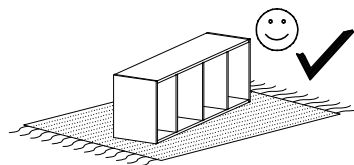
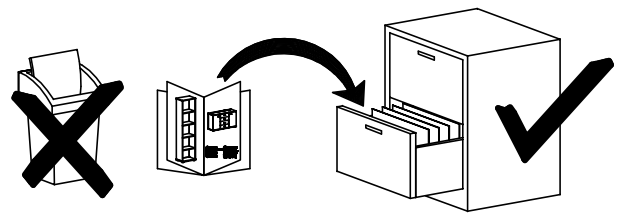
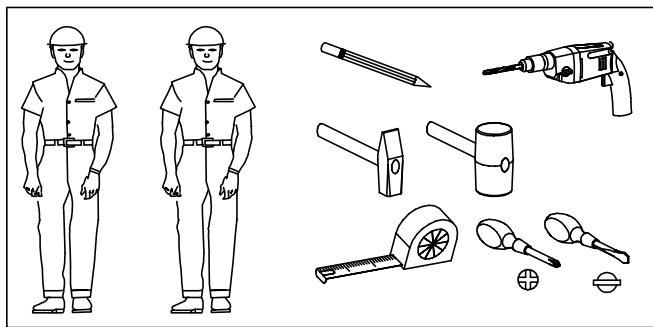


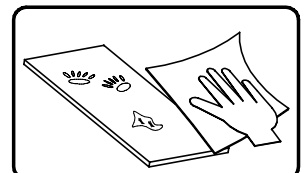
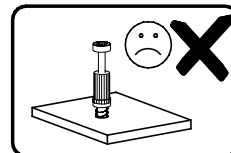
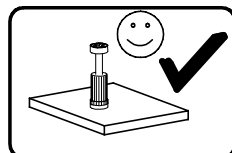
Installation & Assembly



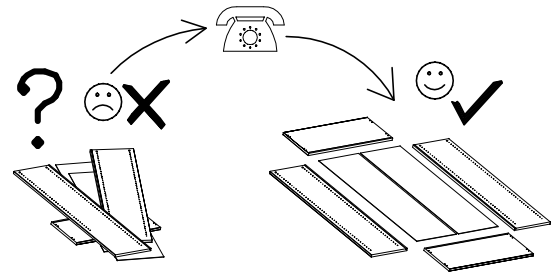
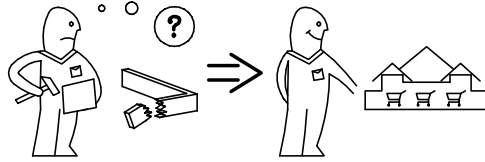
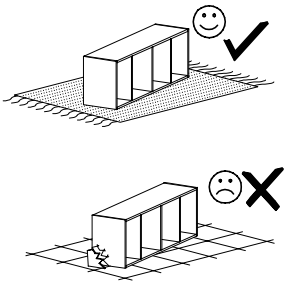
PUSH



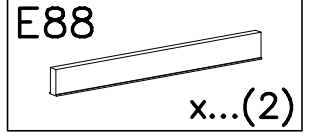
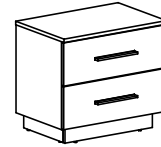
1,5h



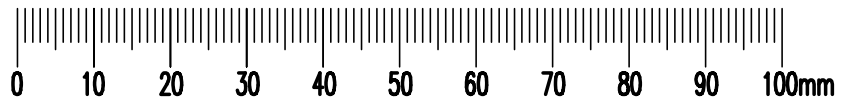
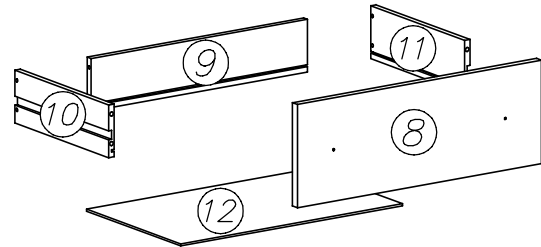
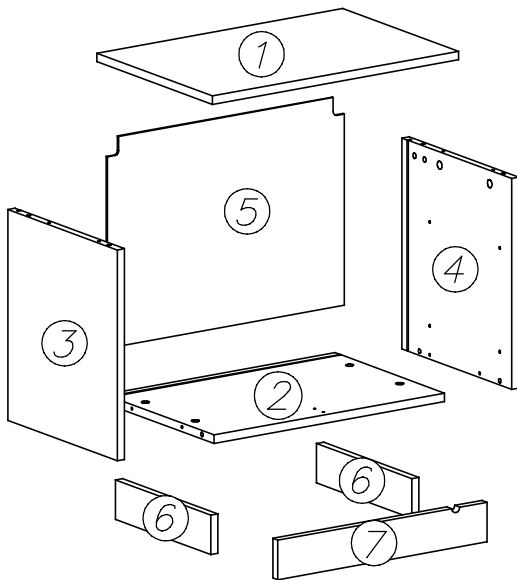
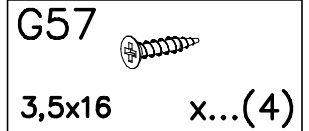
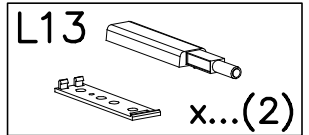
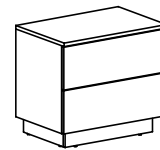
Nightstands



OPCJA A



OPCJA B

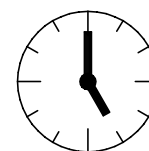
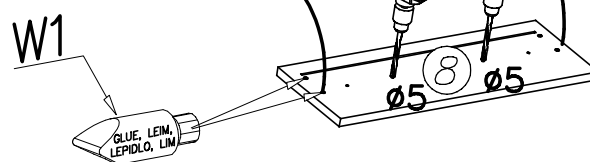
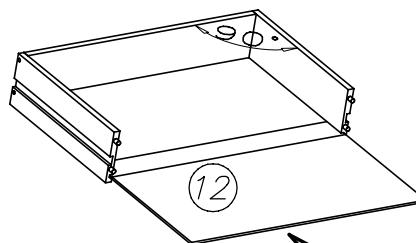
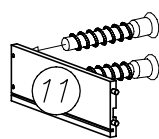
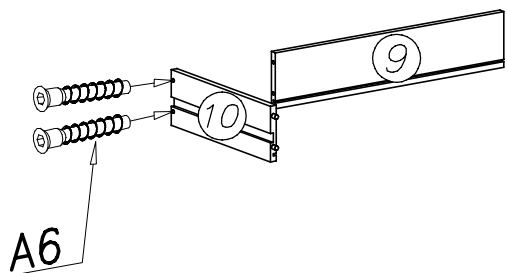


A6 ø7x40 x...(8)	G50 6x13 x...(8)	F15 x...(8)	H3 280mm x...(4)		I1 x...(6)	W1 x...(1)	W10 300mm x...(1)
K1 ø15x12 x...(8)	G8 4x30 x...(4)	N1 M4x9 x...(4)	G56 4x16 x...(32)				
K10 x...(8)	B1 ø8x35 x...(8)	W2 x...(1)	P4 x...(6)				

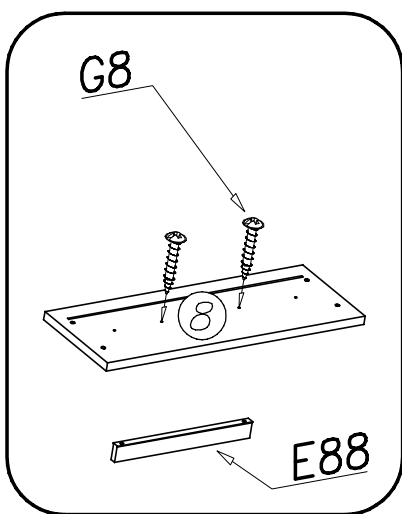
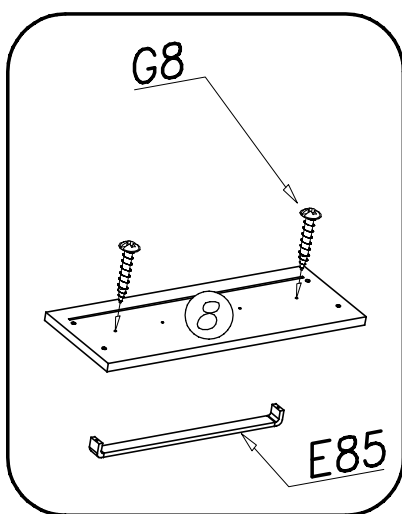
Nightstands

I

OPCJA A

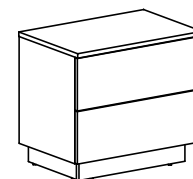


0,5h

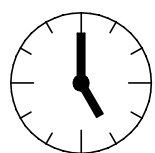
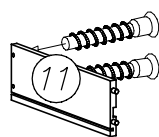
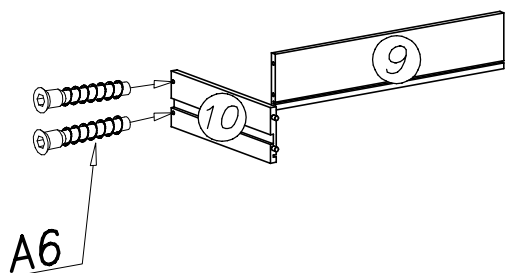


II

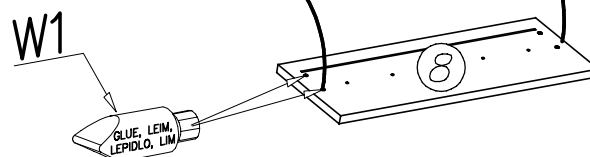
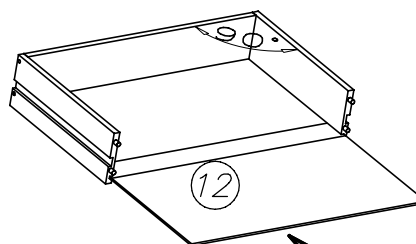
OPCJA B



PUSH

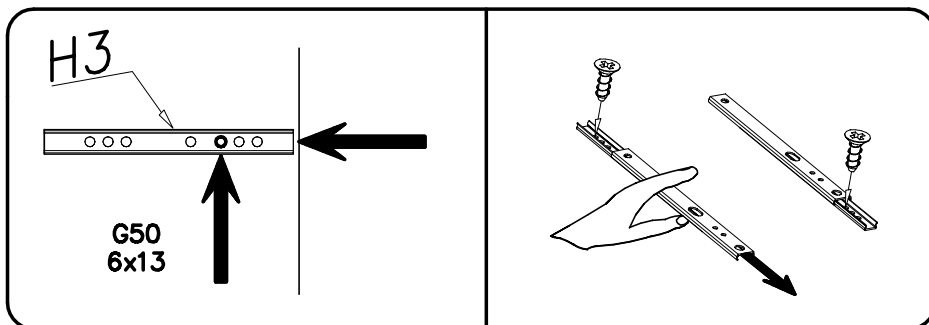
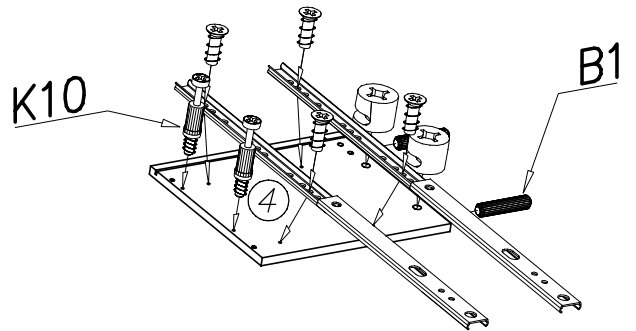
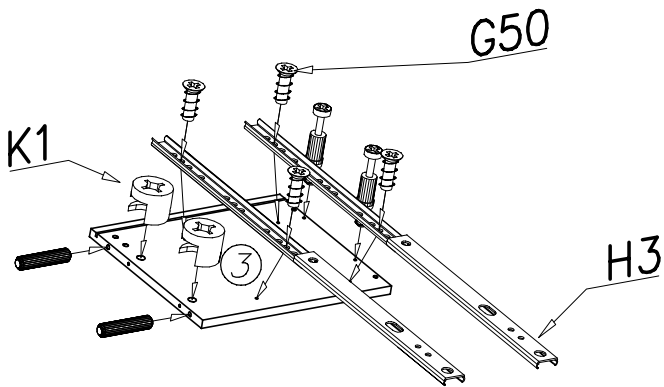
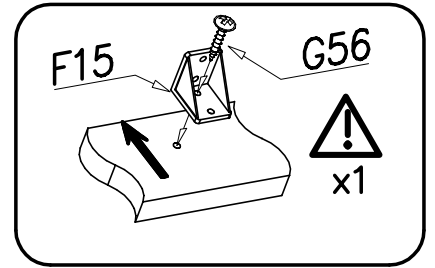
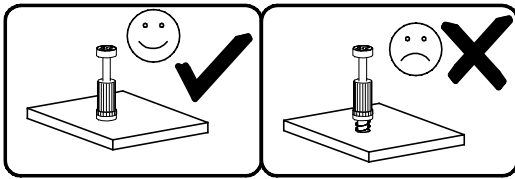
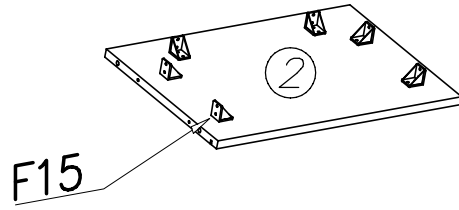
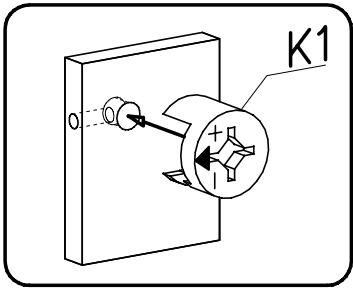
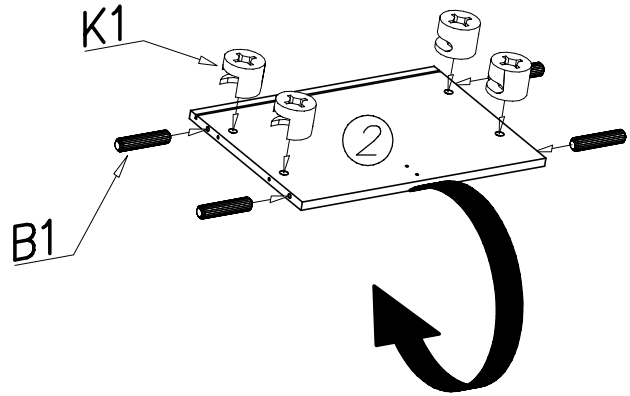
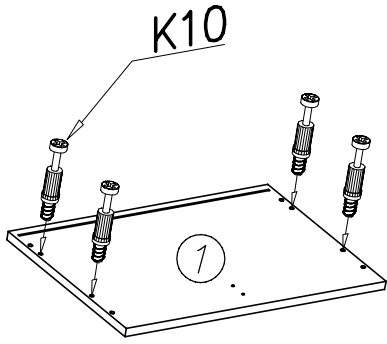


0,5h



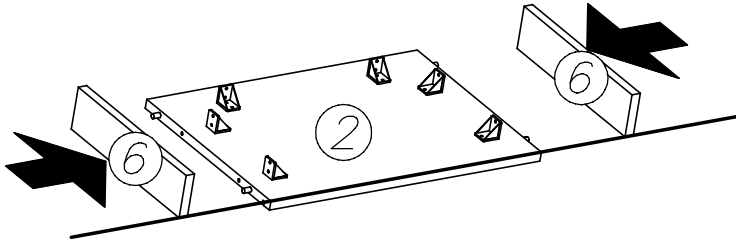
Nightstands

III

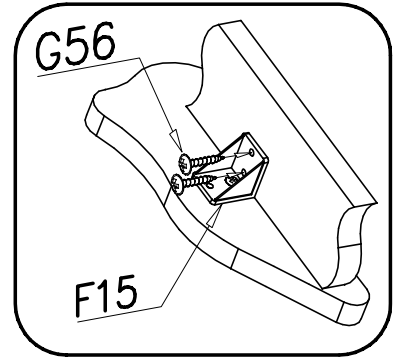


Nightstands

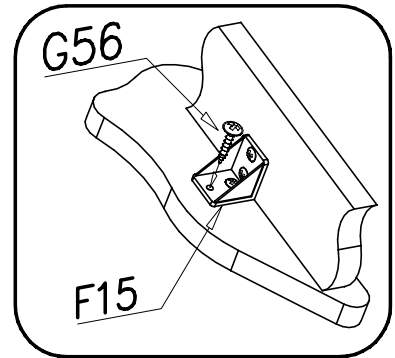
IV



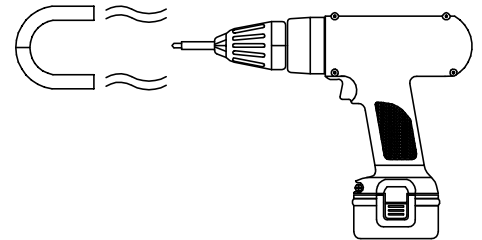
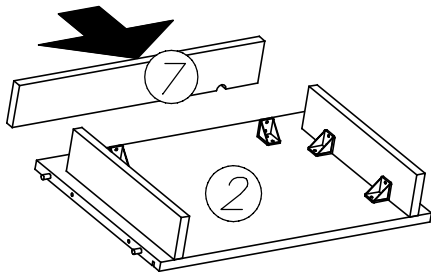
1.



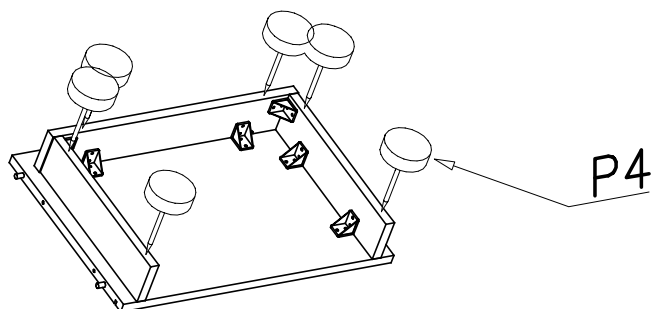
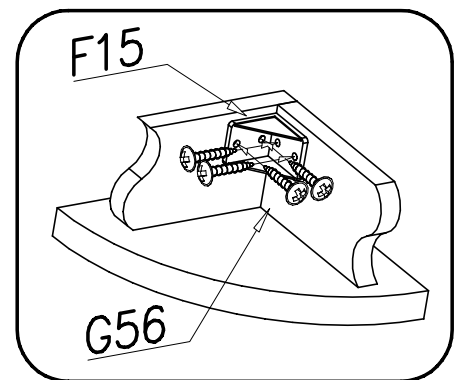
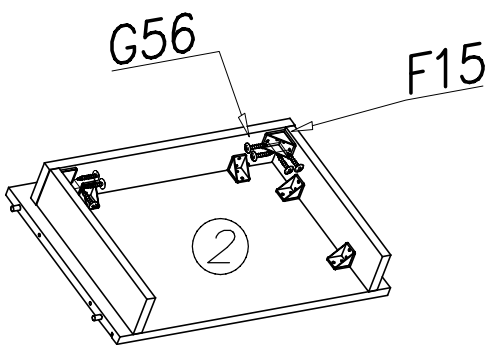
2.



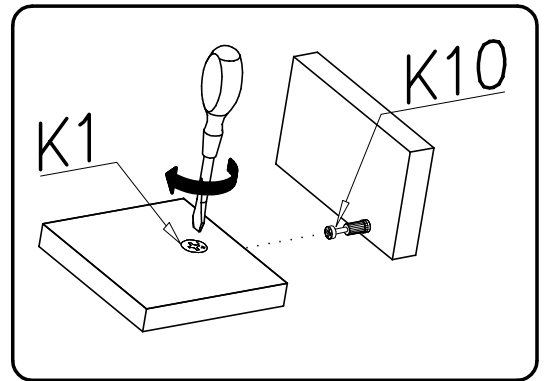
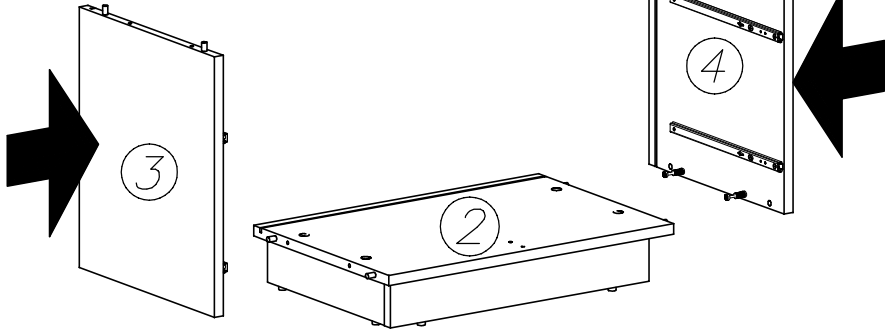
V



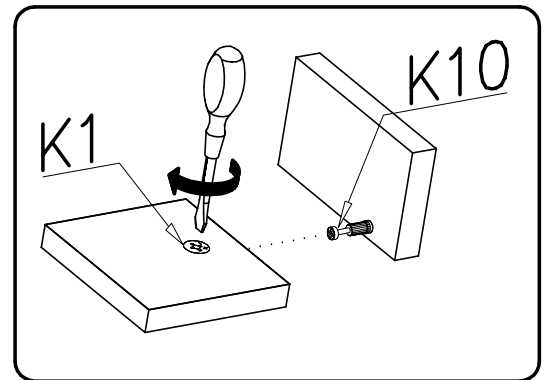
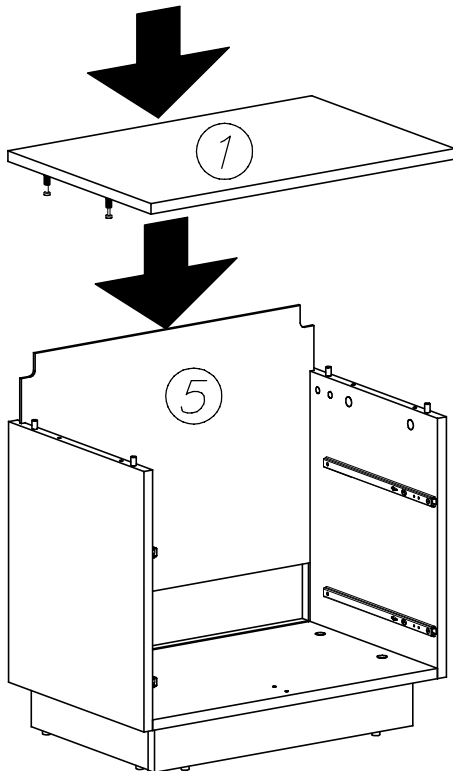
VI



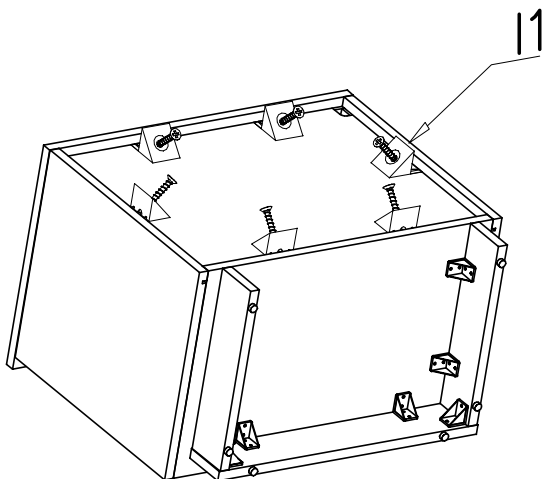
VII



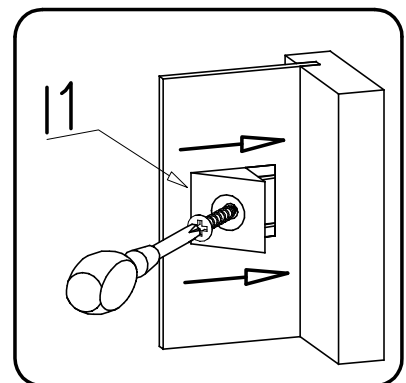
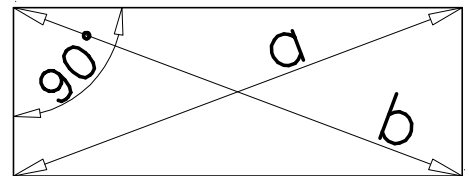
VIII



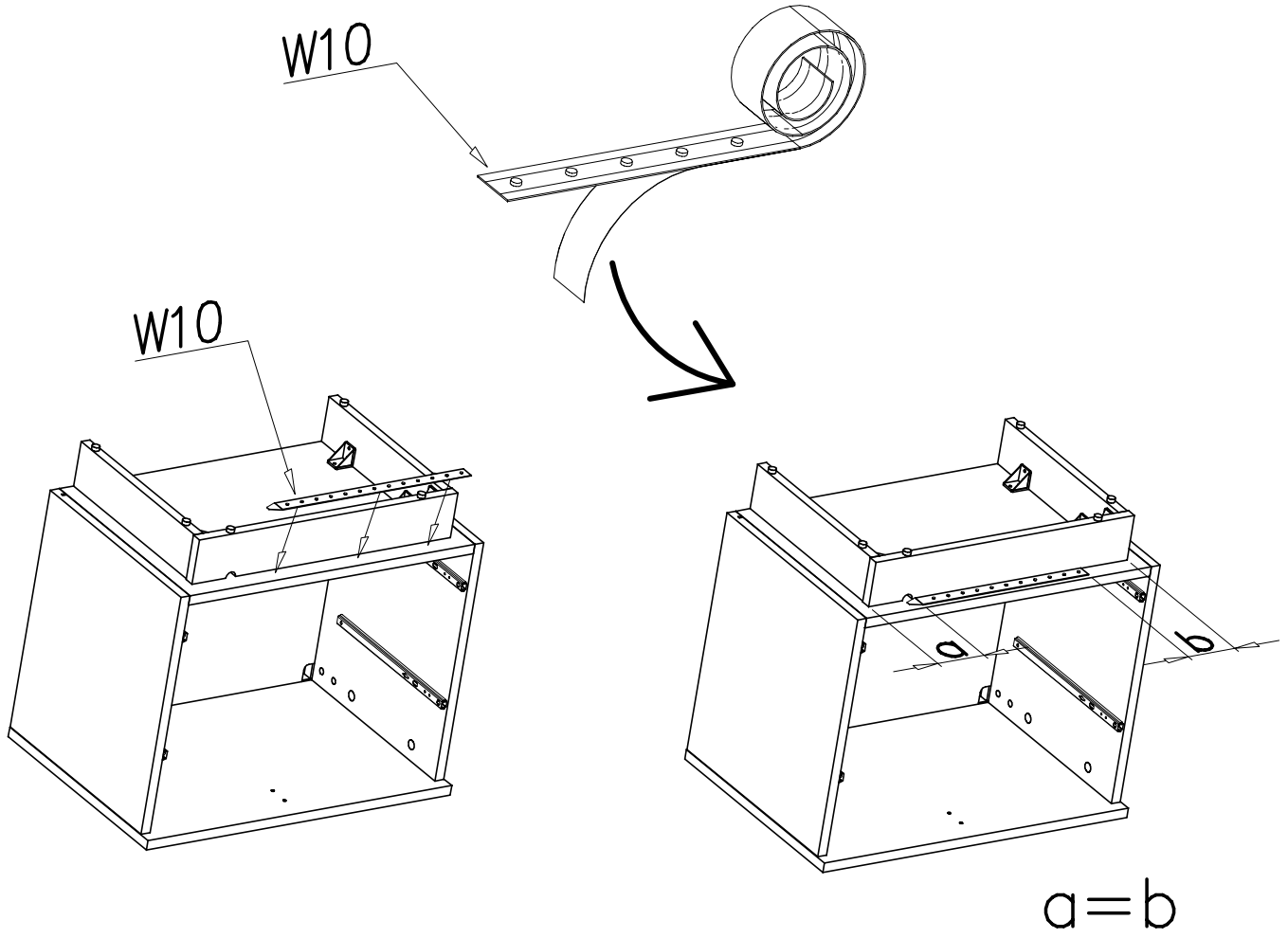
IX



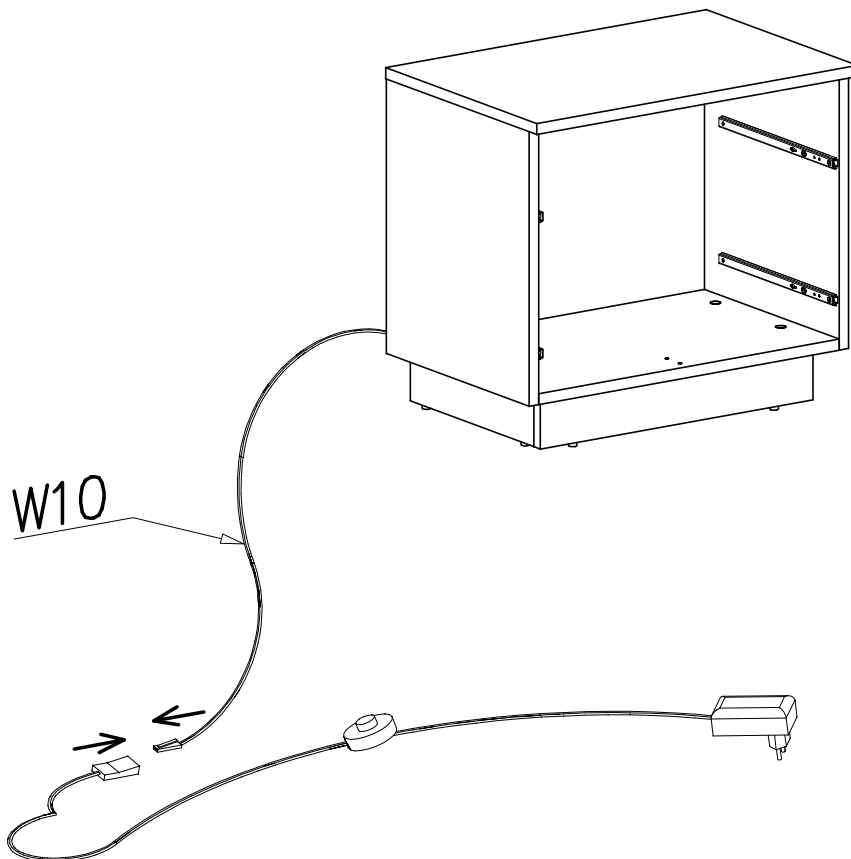
$$a = b$$



X

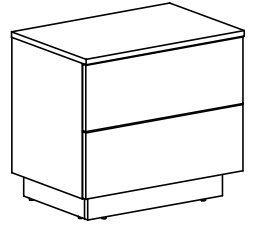


XI

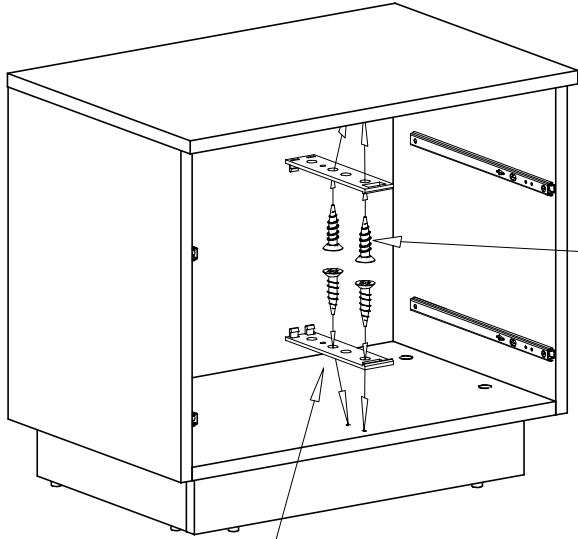


XII

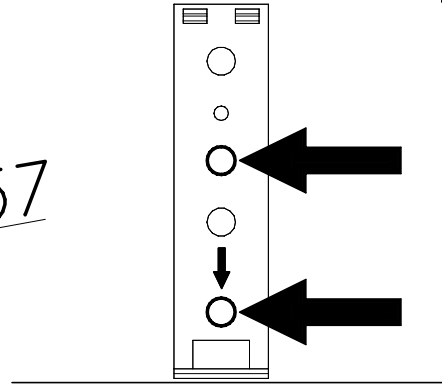
OPCJA B



PUSH

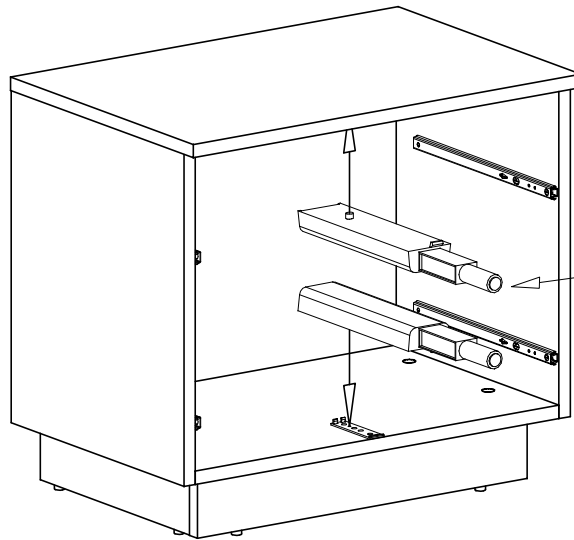


G57

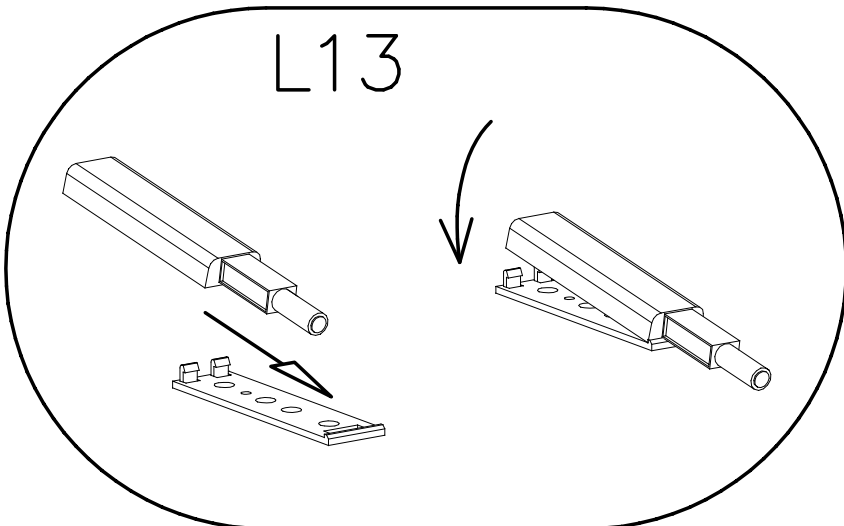


front

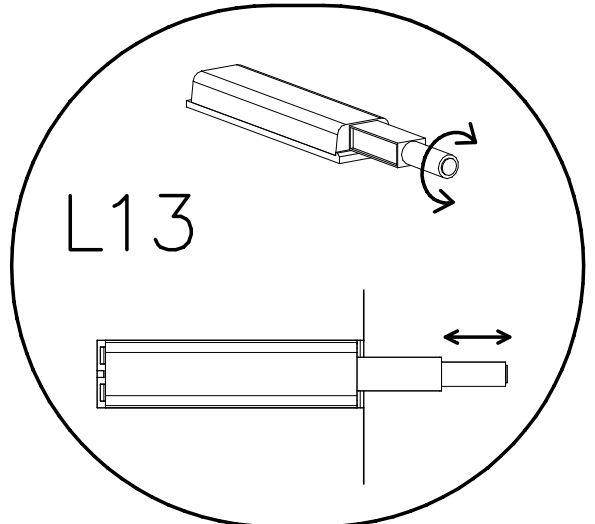
L13



L13



L13



L13

XIII

