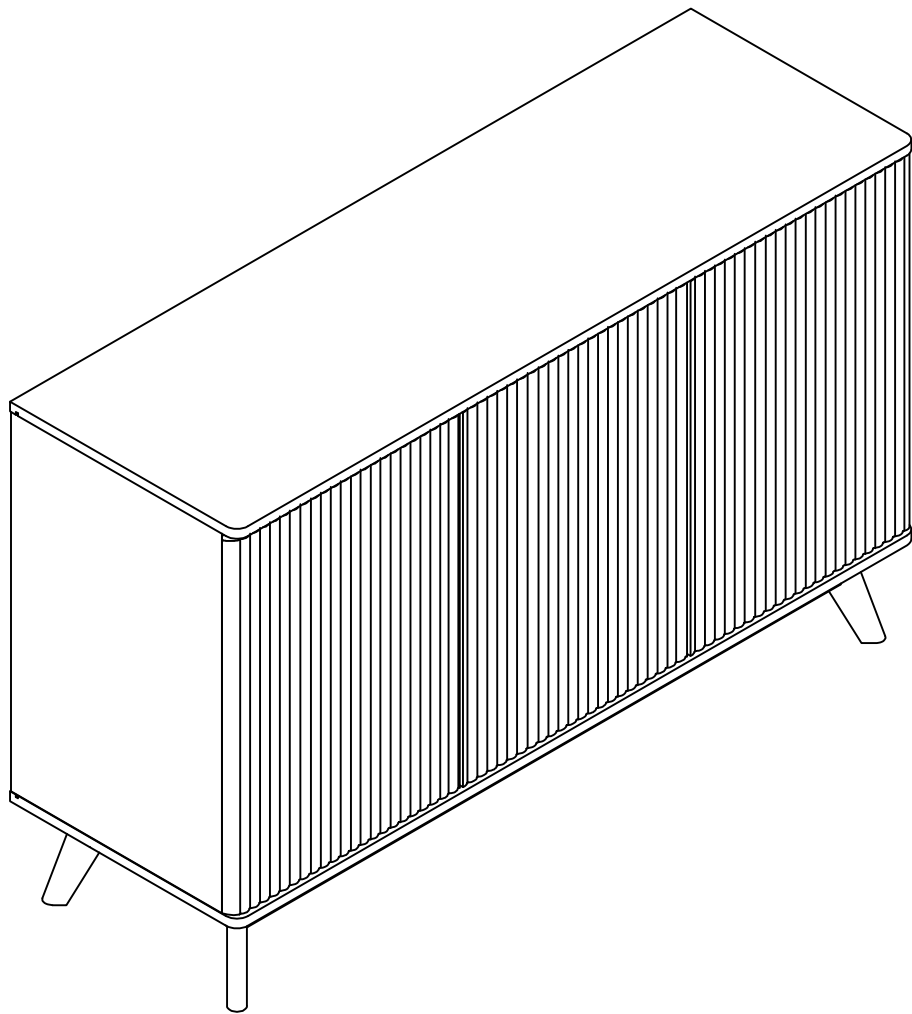


Installation Instruction



Assembling

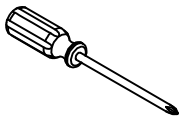
Estimated time for assembly



45 : 00

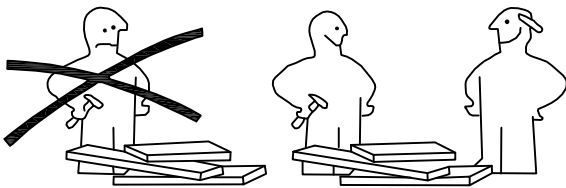
What you need

- Use the packaging carton as a working surface to prevent product damage during assembly
- Phillips head screwdriver



Weight Limitation

 **100** | **35**
lbs table top lbs per

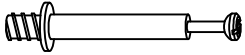


What' included

Code	Description	Qty
A	Cam Bolt M6X35MM	26
B	Cam Lock 15X12MM	26
C	Wooden Dowel M8X30MM	16
D	Screw M4X40MM	8
E	Screw M3.5X14MM	2
F	Cam Bolt M7X40MM	8
G	Nylon Strap	2
H	Screw M3.5X14MM	58
I	Hole position sticker	26
J	The back button	16
K	Shelf Holder	6
L	MATS	4
M	Door Rebound Device Holder	3
N	Door Rebound Device	3
O	Shelf Holder	8
P	Anchor	2
Q	Wrench M4X55MM	1

The Hardwares

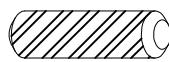
A



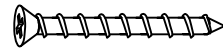
B



C



D



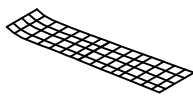
E



F



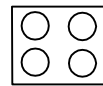
G



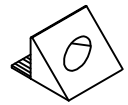
H



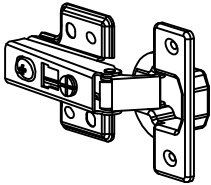
I



J



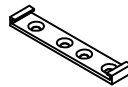
K



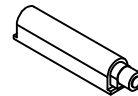
L



M



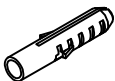
N



O



P



Q



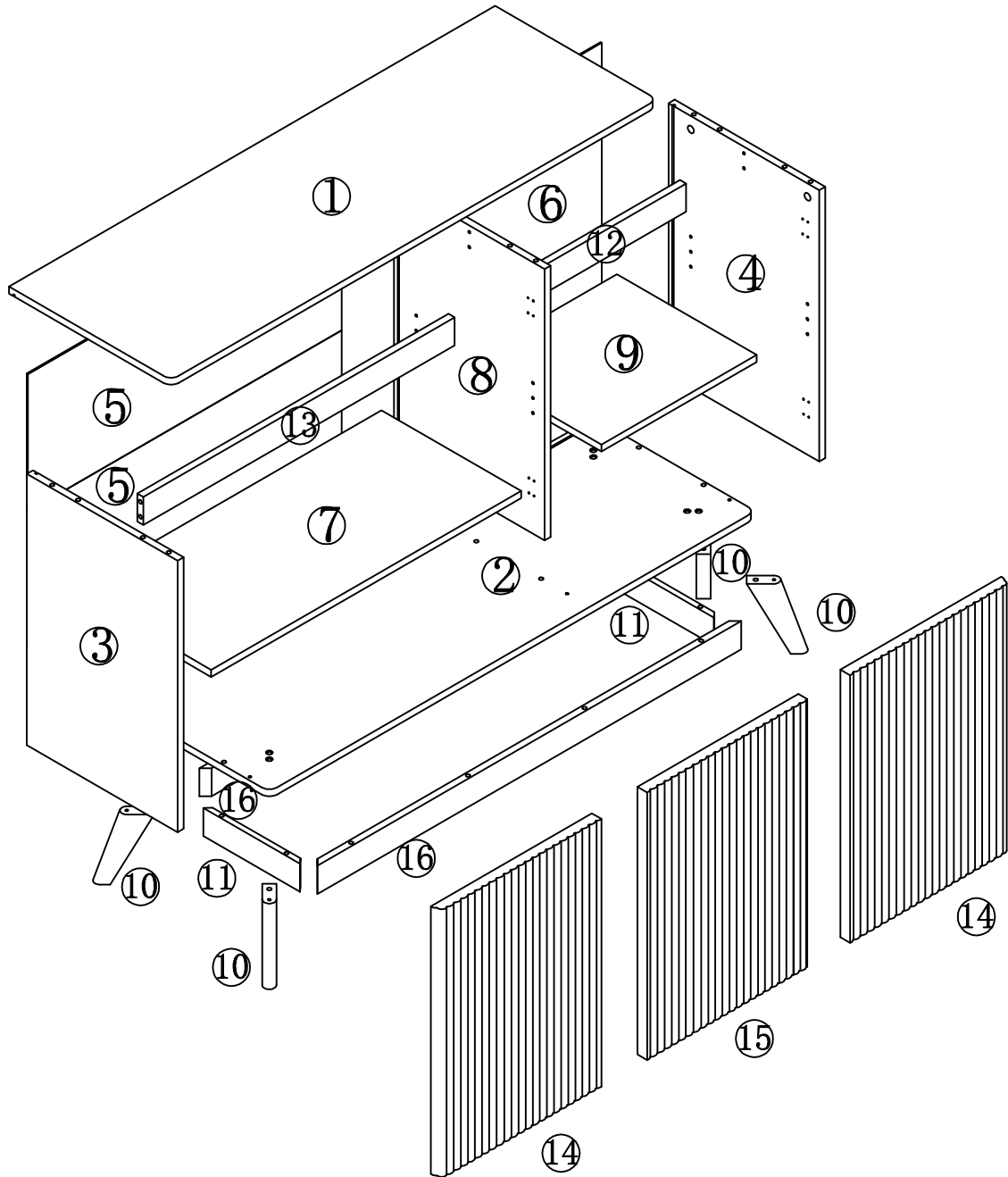
IMPORTANT:

1. Do not tighten bolts / screws completely until all bolts / screws are lined up and inserted into holes.
2. Do not over tighten screws and bolts to avoid stripping
3. Please use hand tools to assemble this product. Do not use power tools.

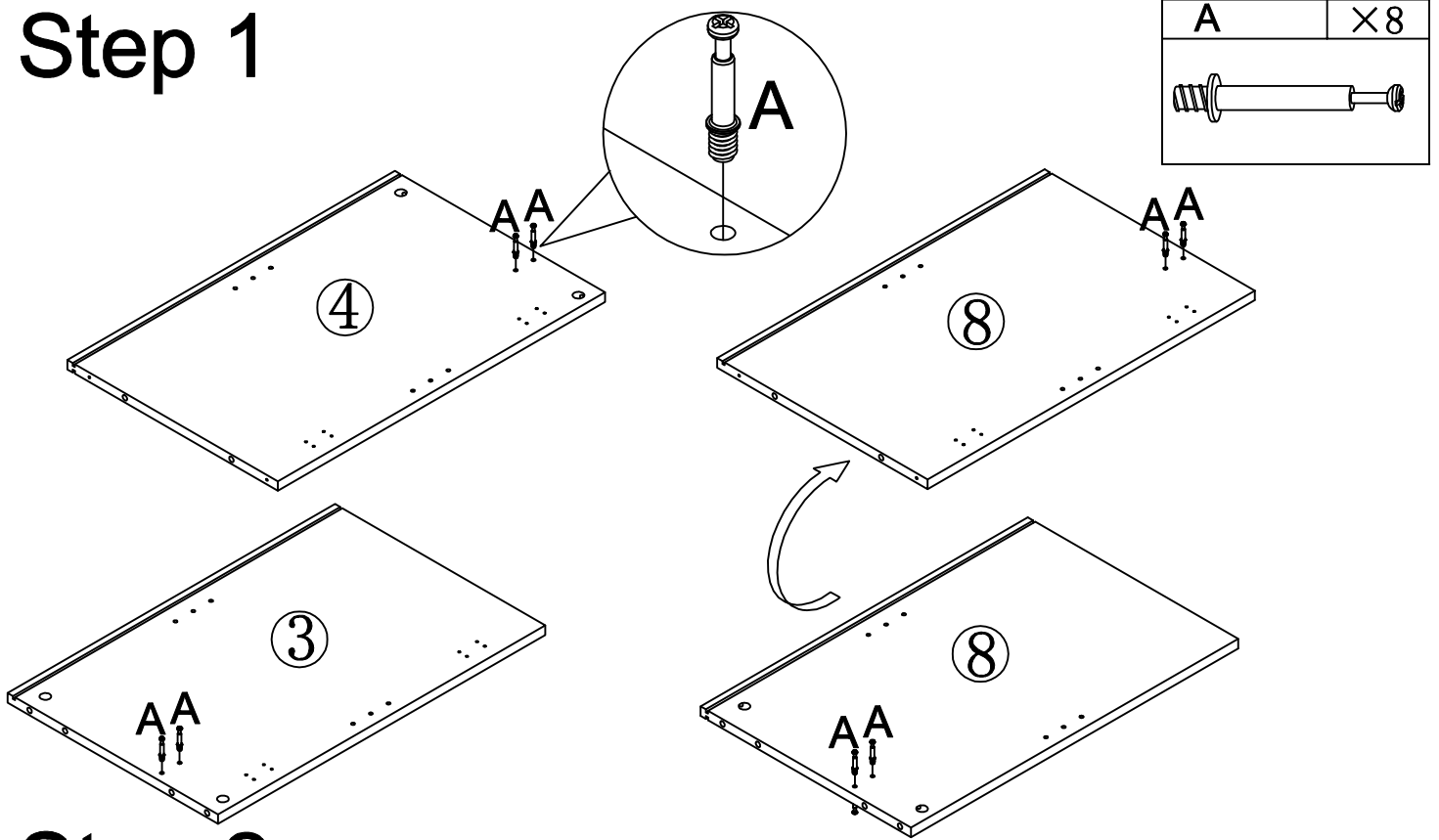
Included Accessories

Code	Description	Qty
1	Cabinet Top	1
2	Bottom Panel	1
3	Left Side Panel	1
4	Right Side Panel	1
5	On the left rear panel	2
6	On the right rear panel	1
7	Left removable laminate	1
8	Right bulkhead	1
9	Right removable laminate	1
10	Solid wood feet	4
11	Short drawing plate	2
12	TRight panel below	1
13	Below left panel	1
14	The door	2
15	The door	1
16	Long drawing plate	2

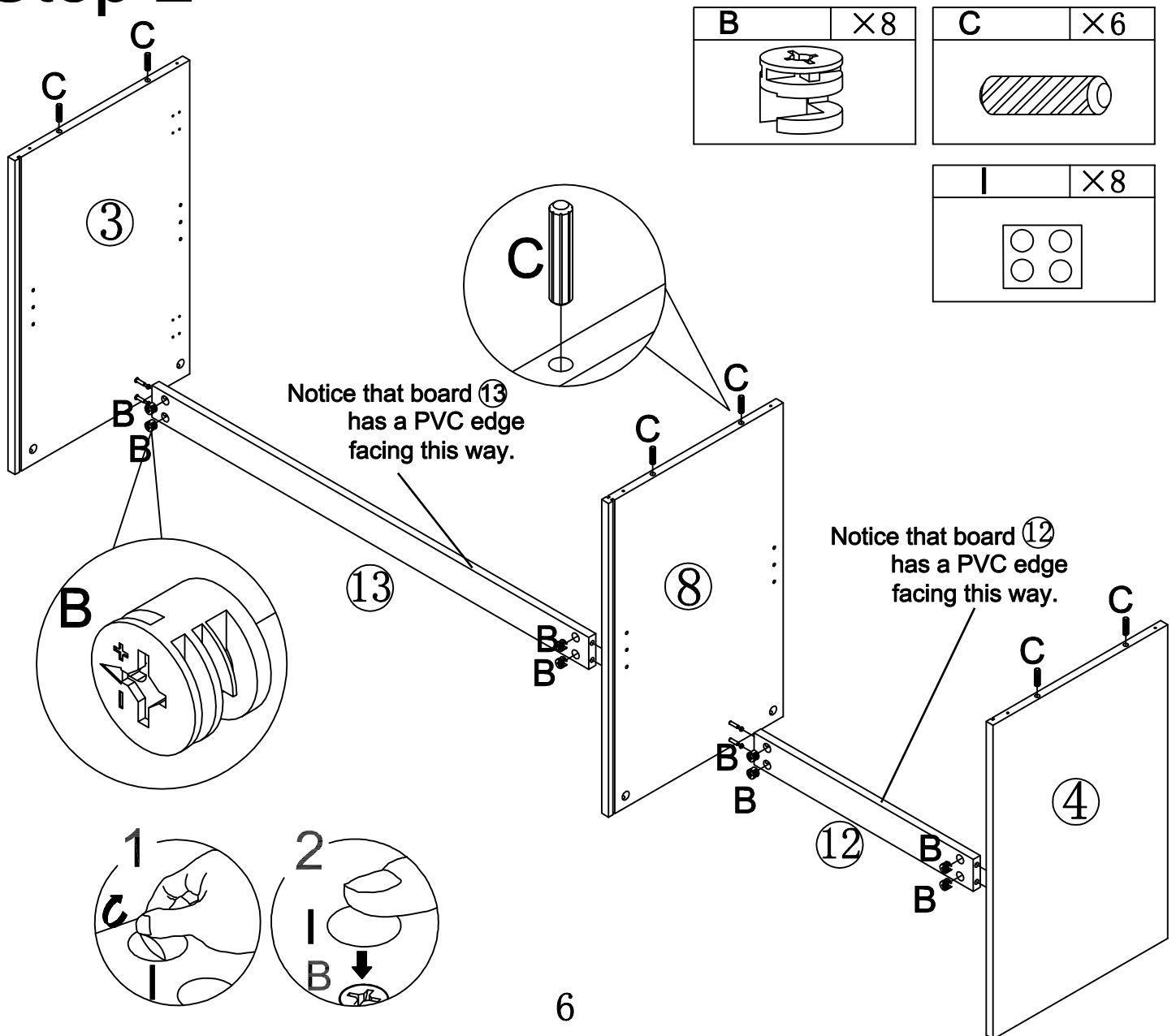
The Accessoriss



Step 1

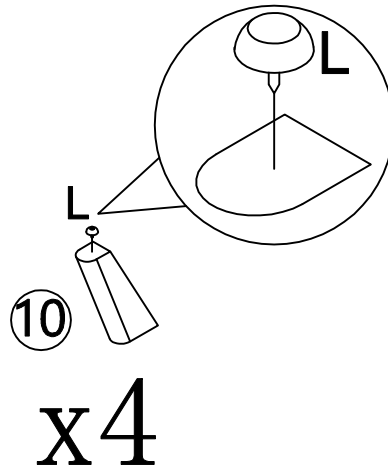


Step 2



Step 3

L	×4

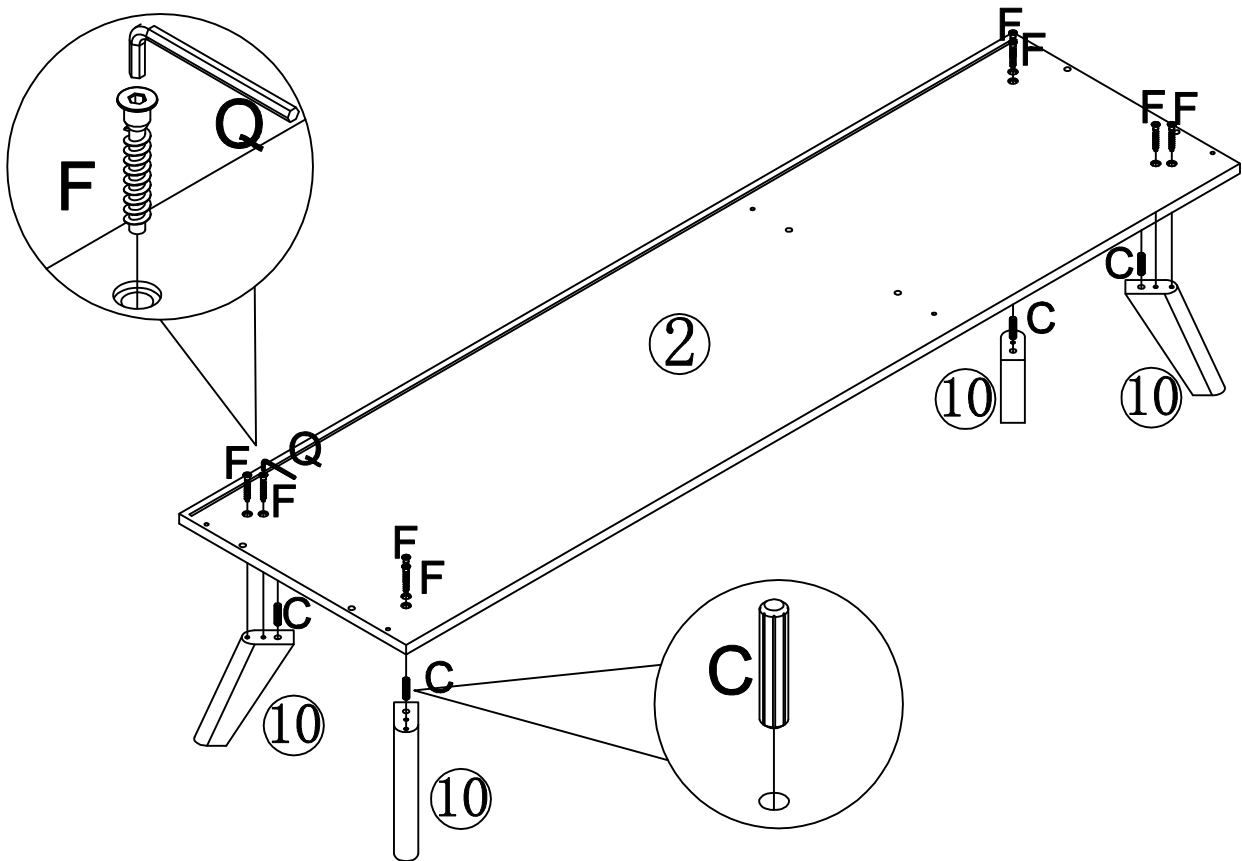


Step 4

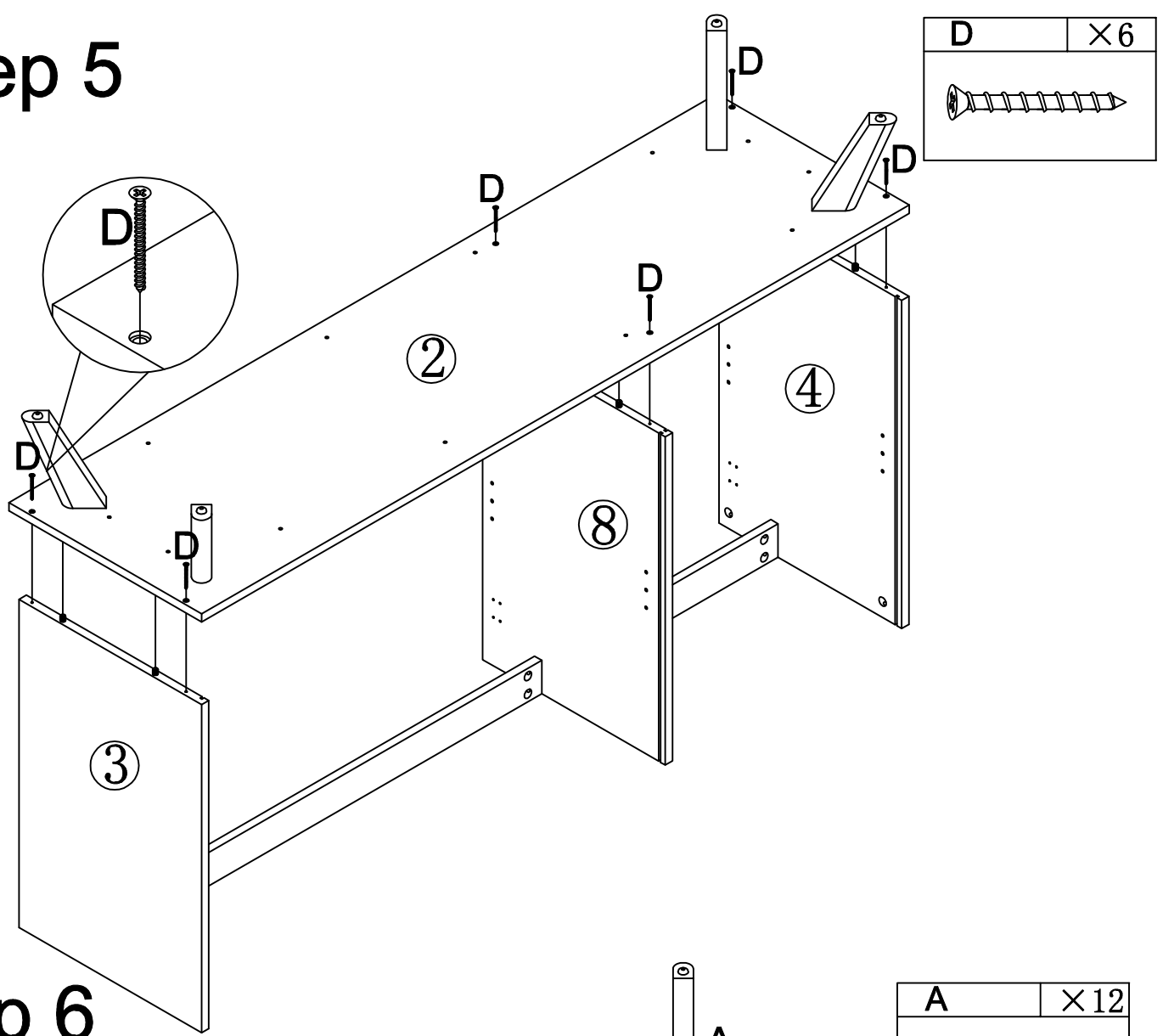
C	×4

F	×8

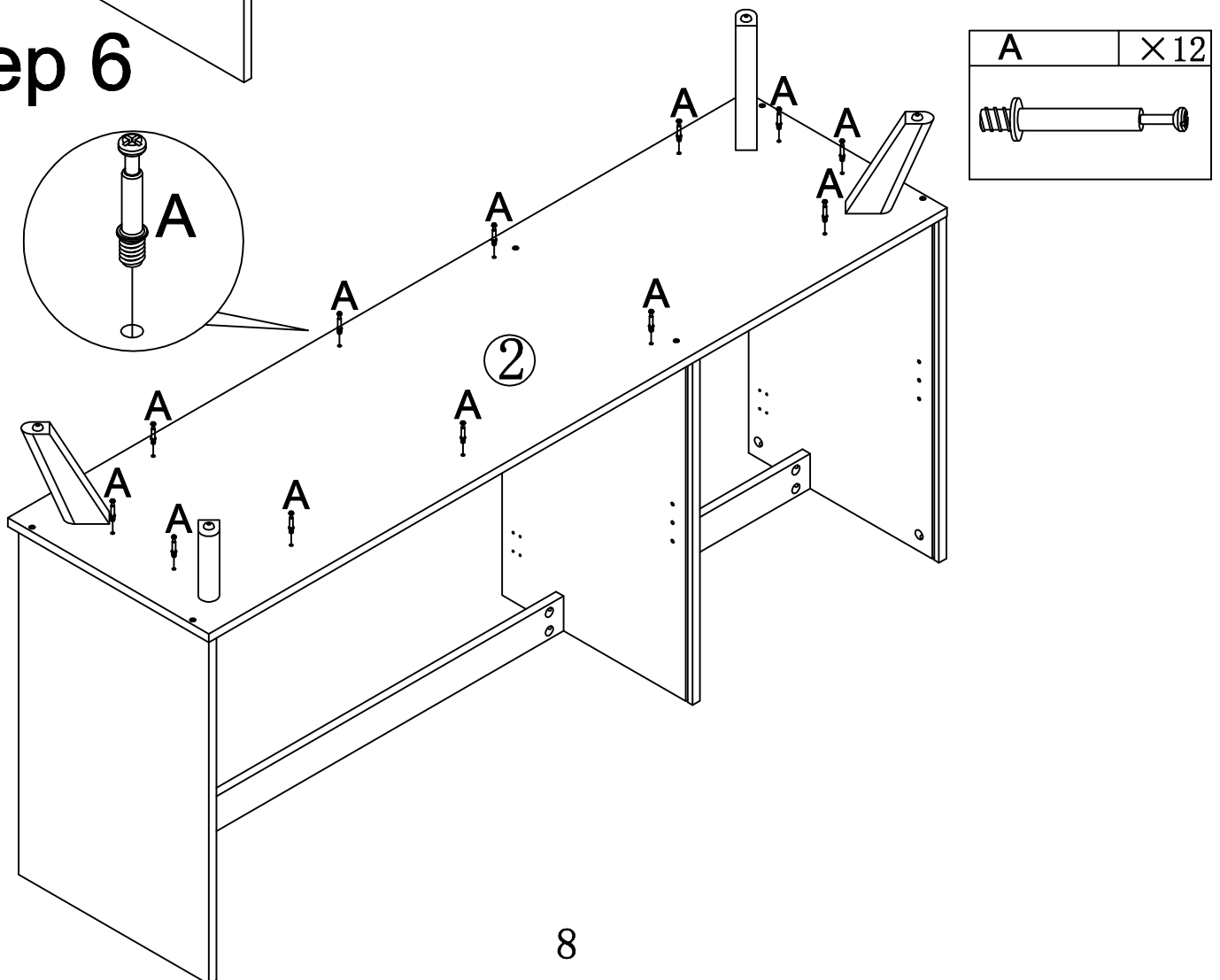
Q	×1



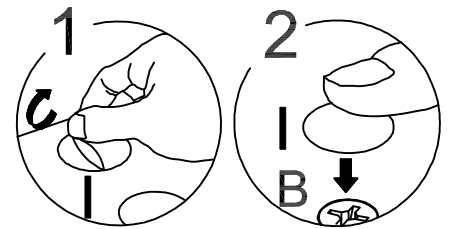
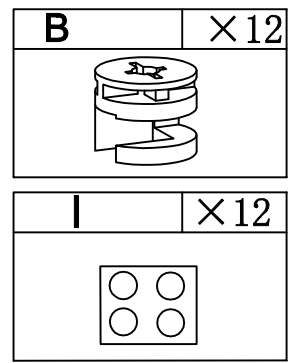
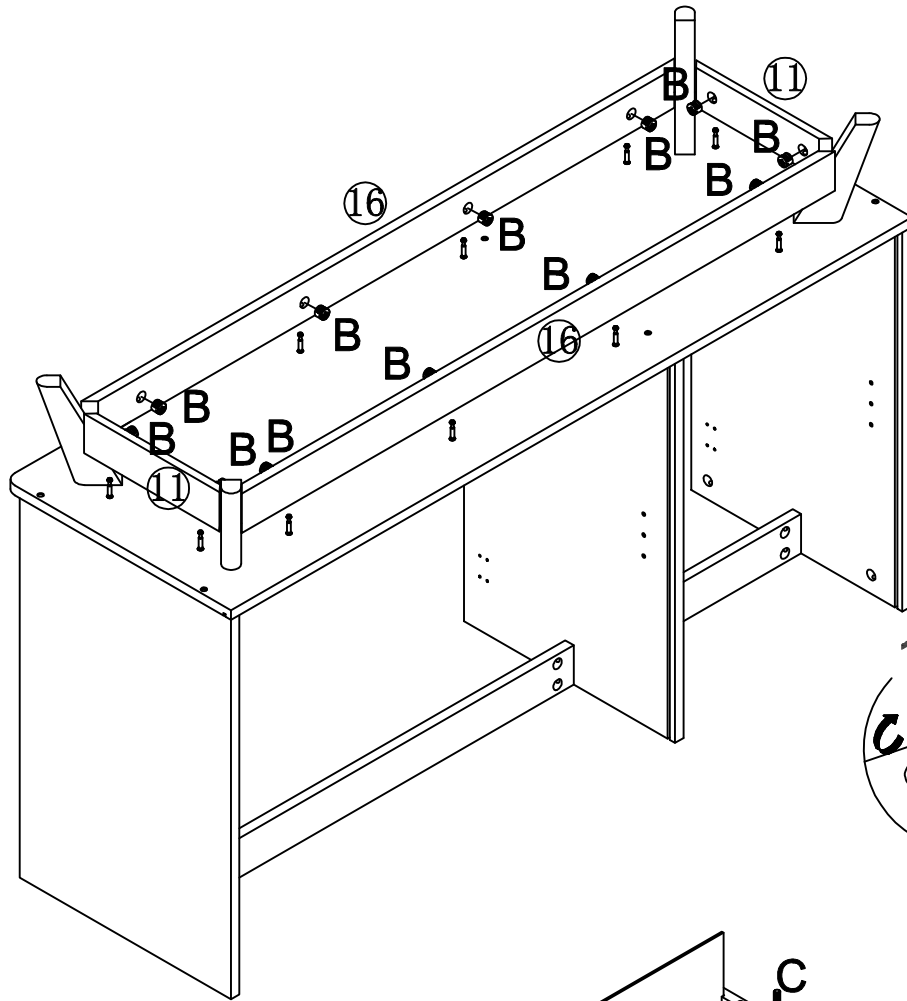
Step 5



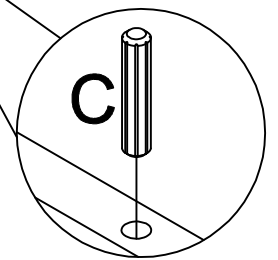
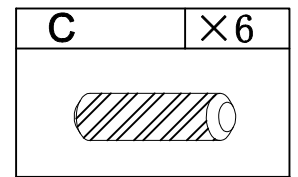
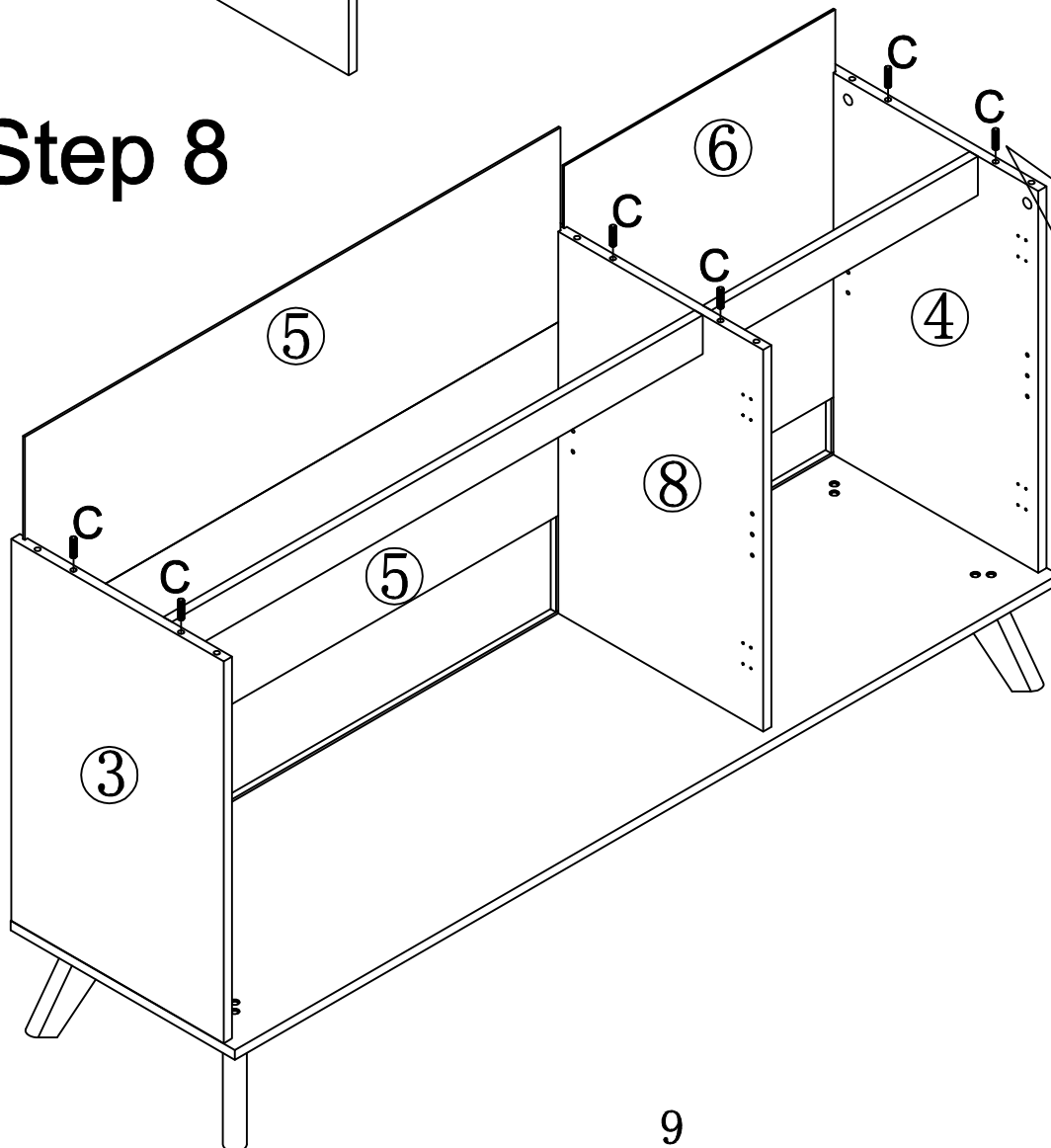
Step 6



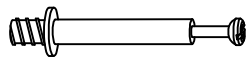
Step 7

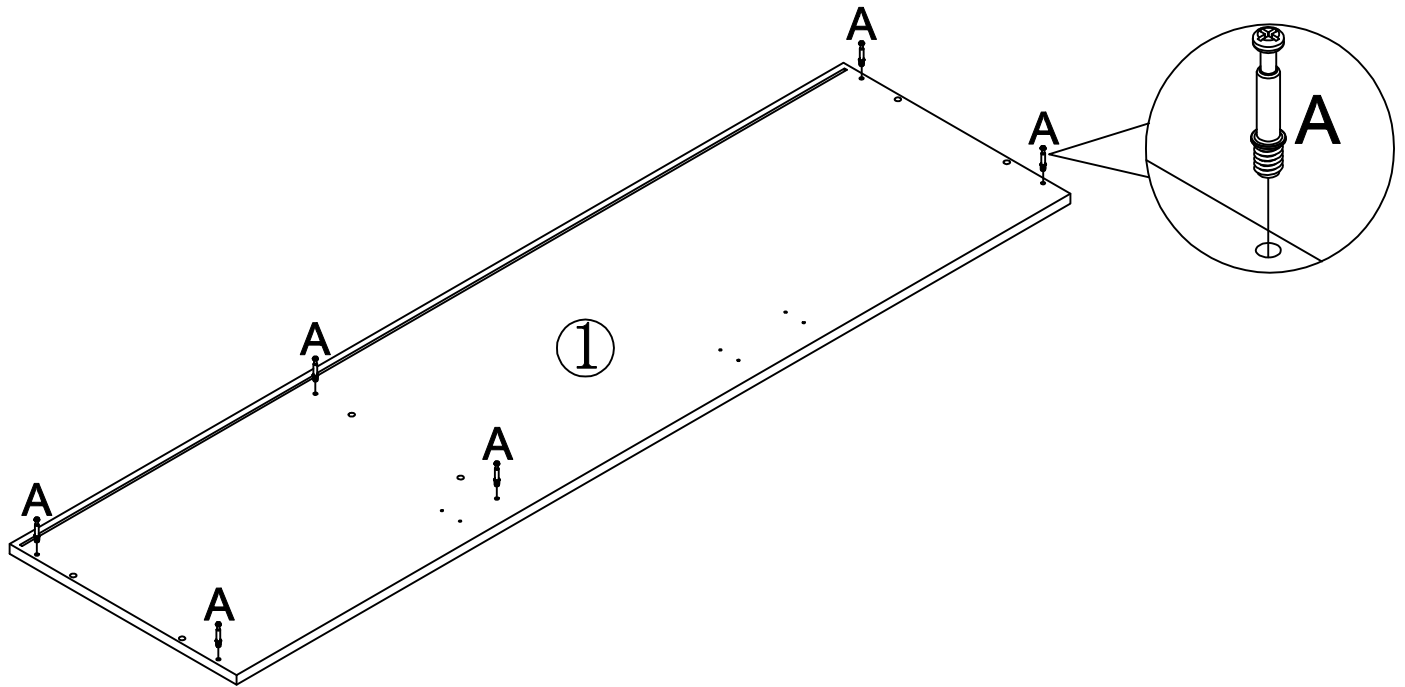


Step 8

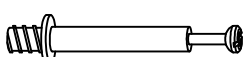

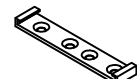
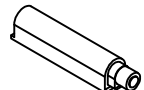


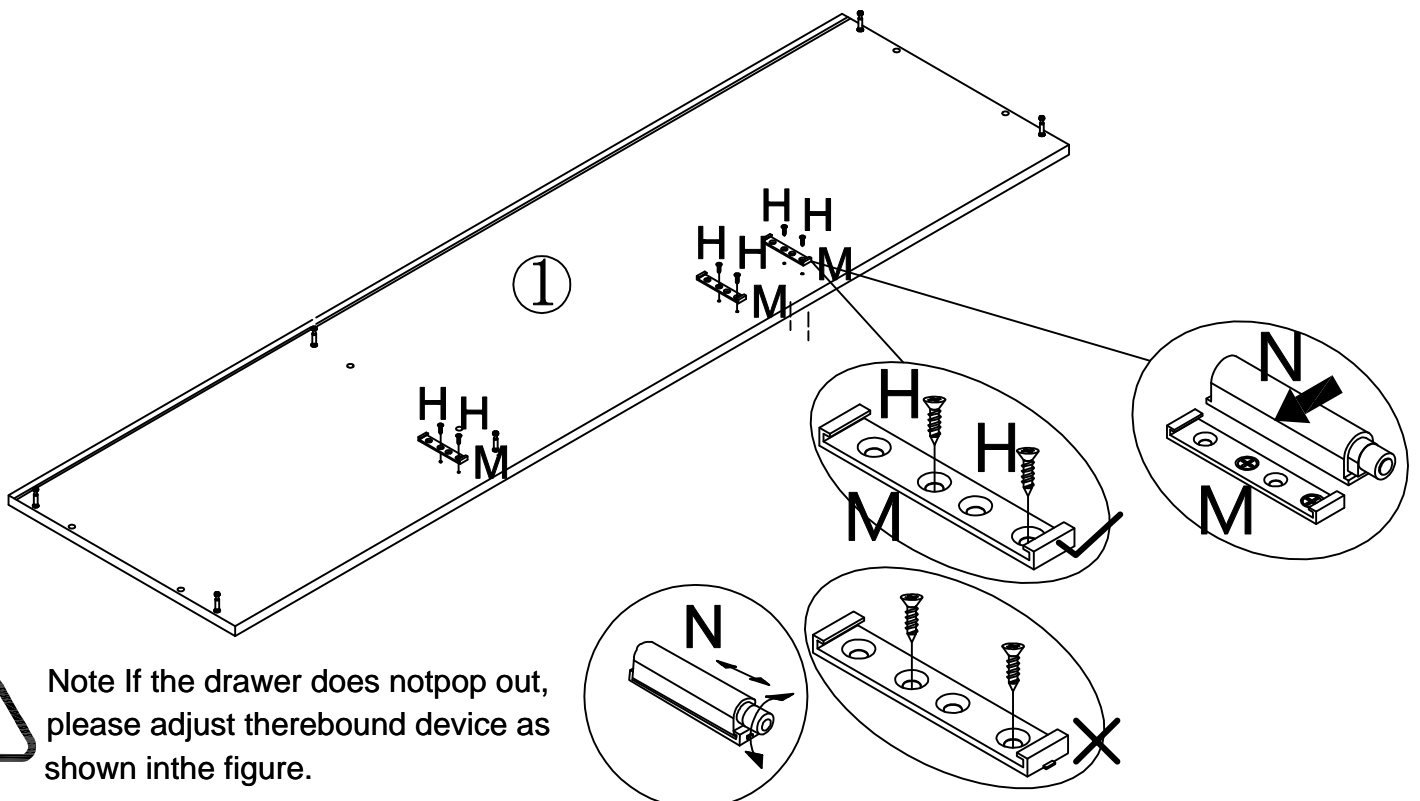
Step 9

A	×6
	



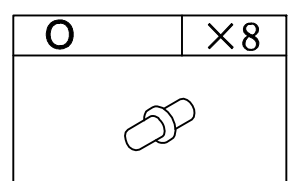
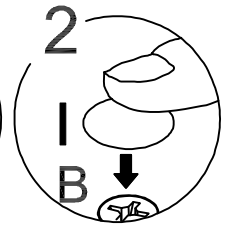
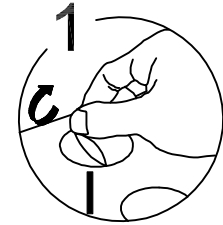
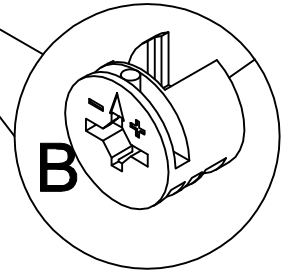
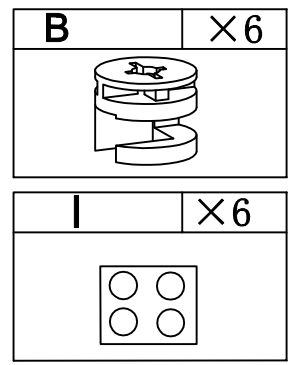
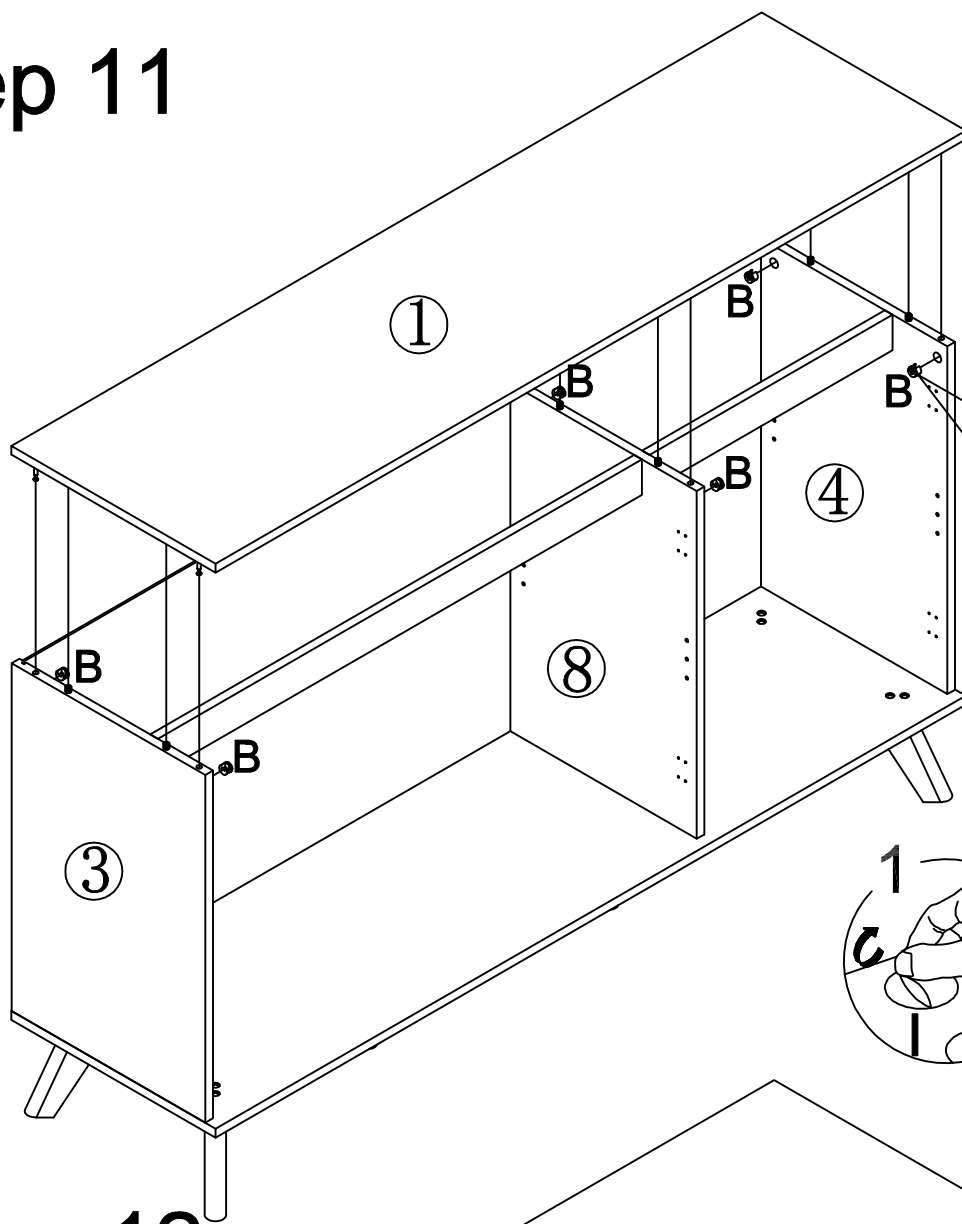
Step 10

A	×6	H	×6	M	×3	N	×3
							

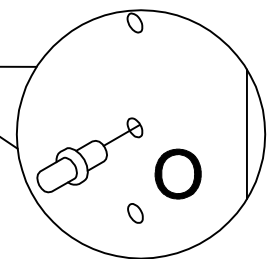
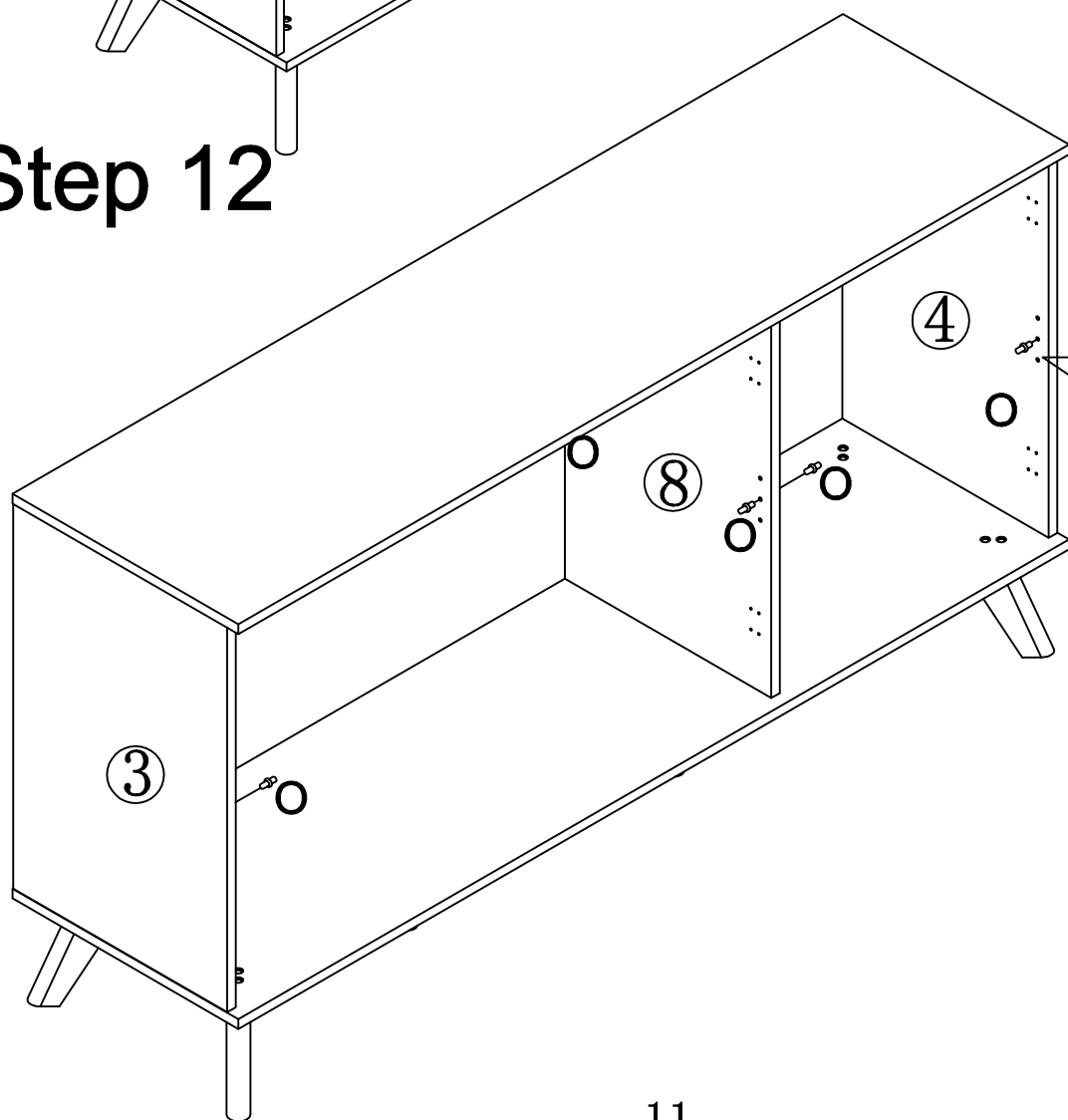


Note If the drawer does not pop out, please adjust the rebound device as shown in the figure.

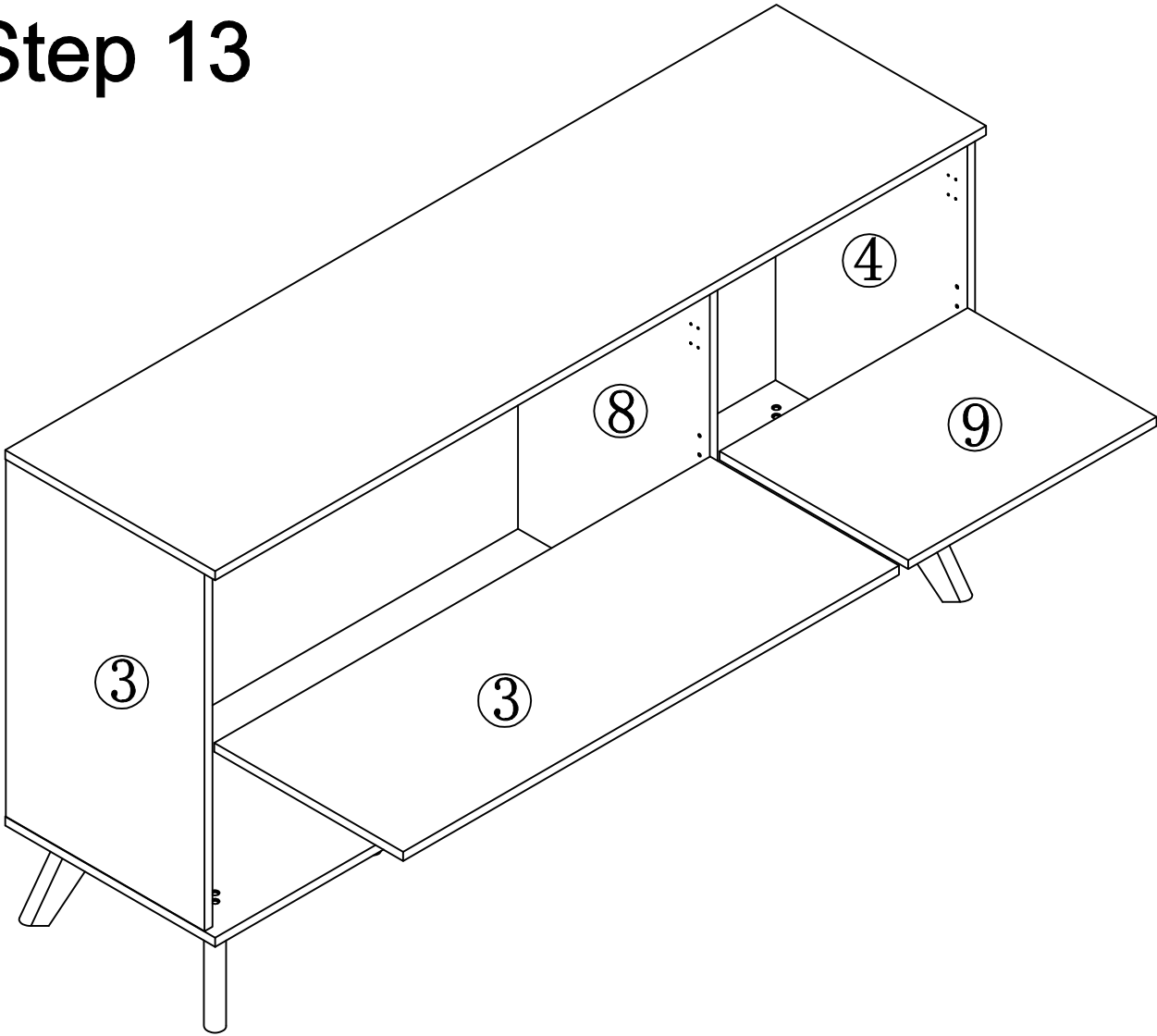
Step 11


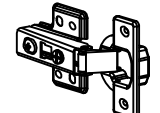


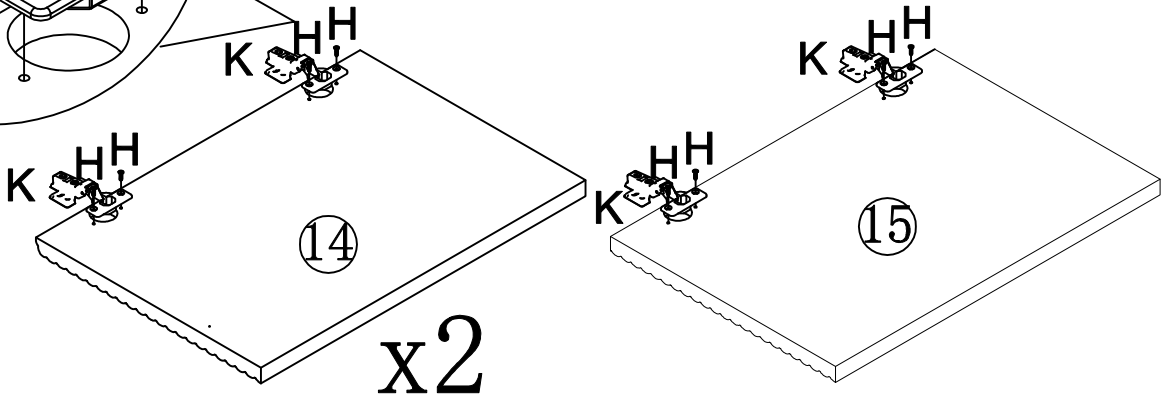
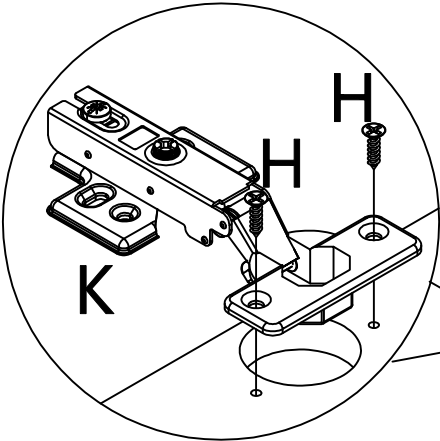
Step 12



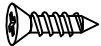
Step 13

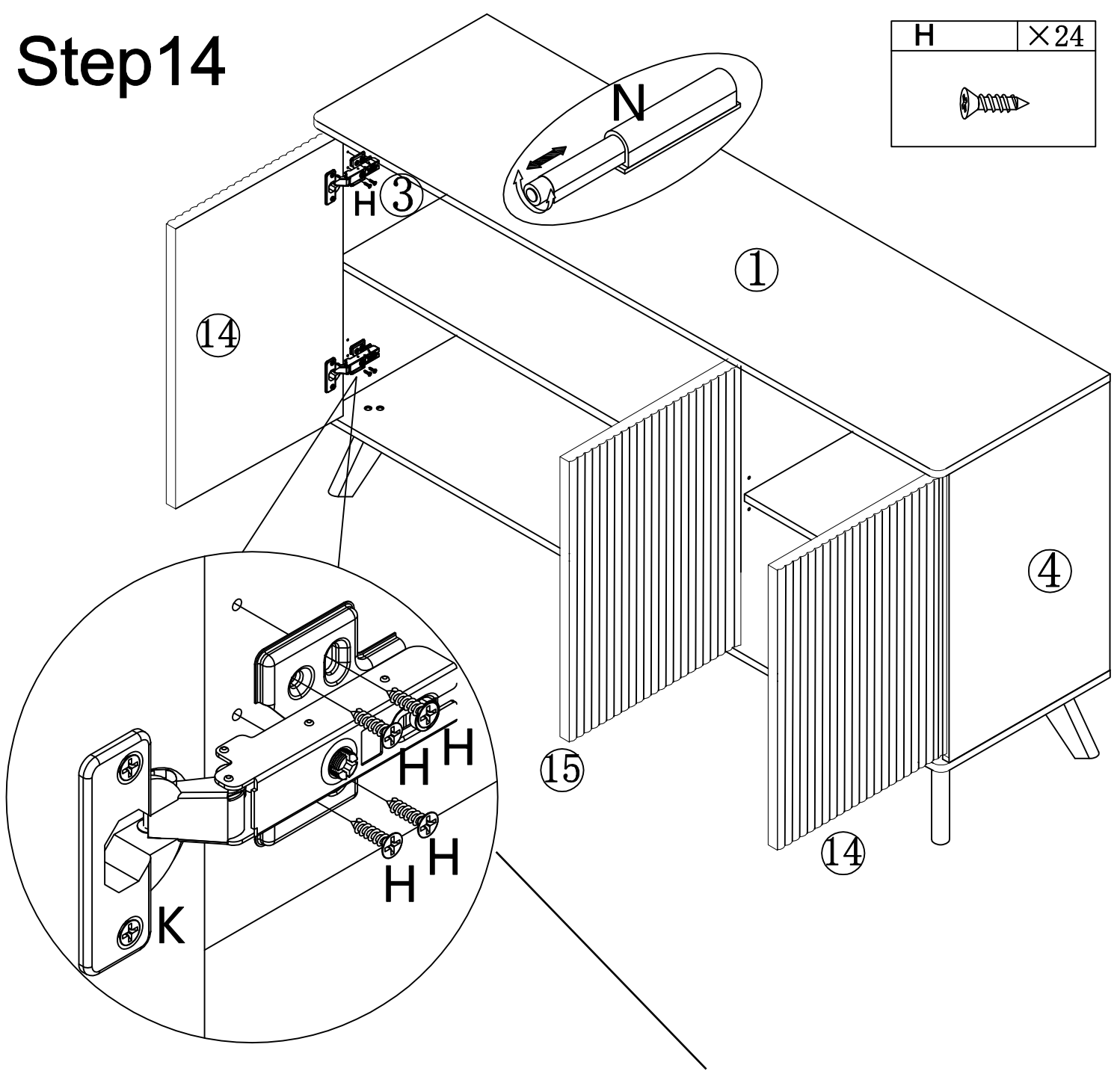


H	X12	K	X6
			



Step 14

H	×24
	



How do I get the two doors to align flat by adjusting the hinges?



01 Adjust the screws shown in Figure 1 to adjust the doors up and down.



02 Adjust the screws shown in Fig. 2 and pull the door back and forth so that it can be opened smoothly.

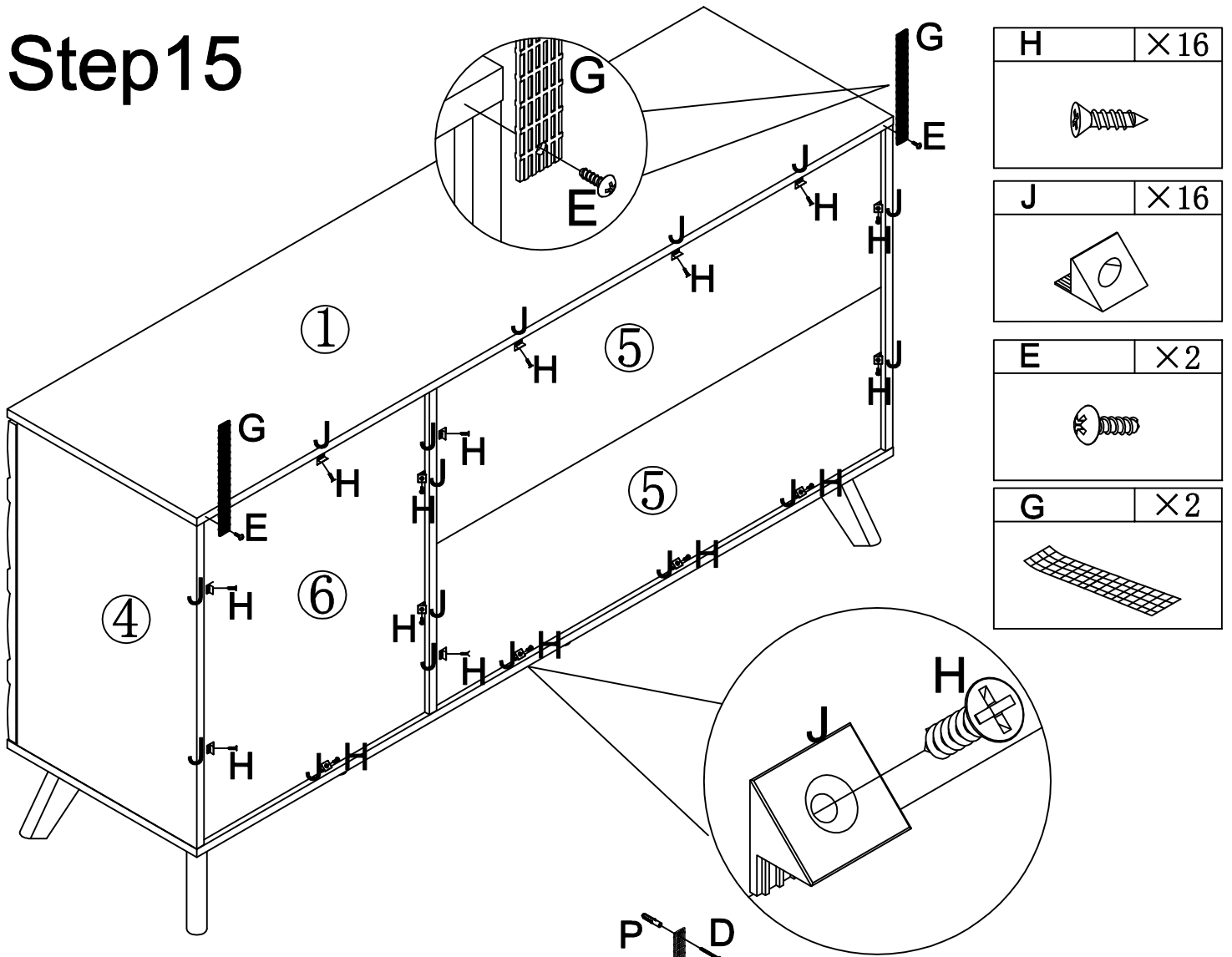


03 Adjust the screws shown in Figure 3 to adjust the door left and right to the right position.

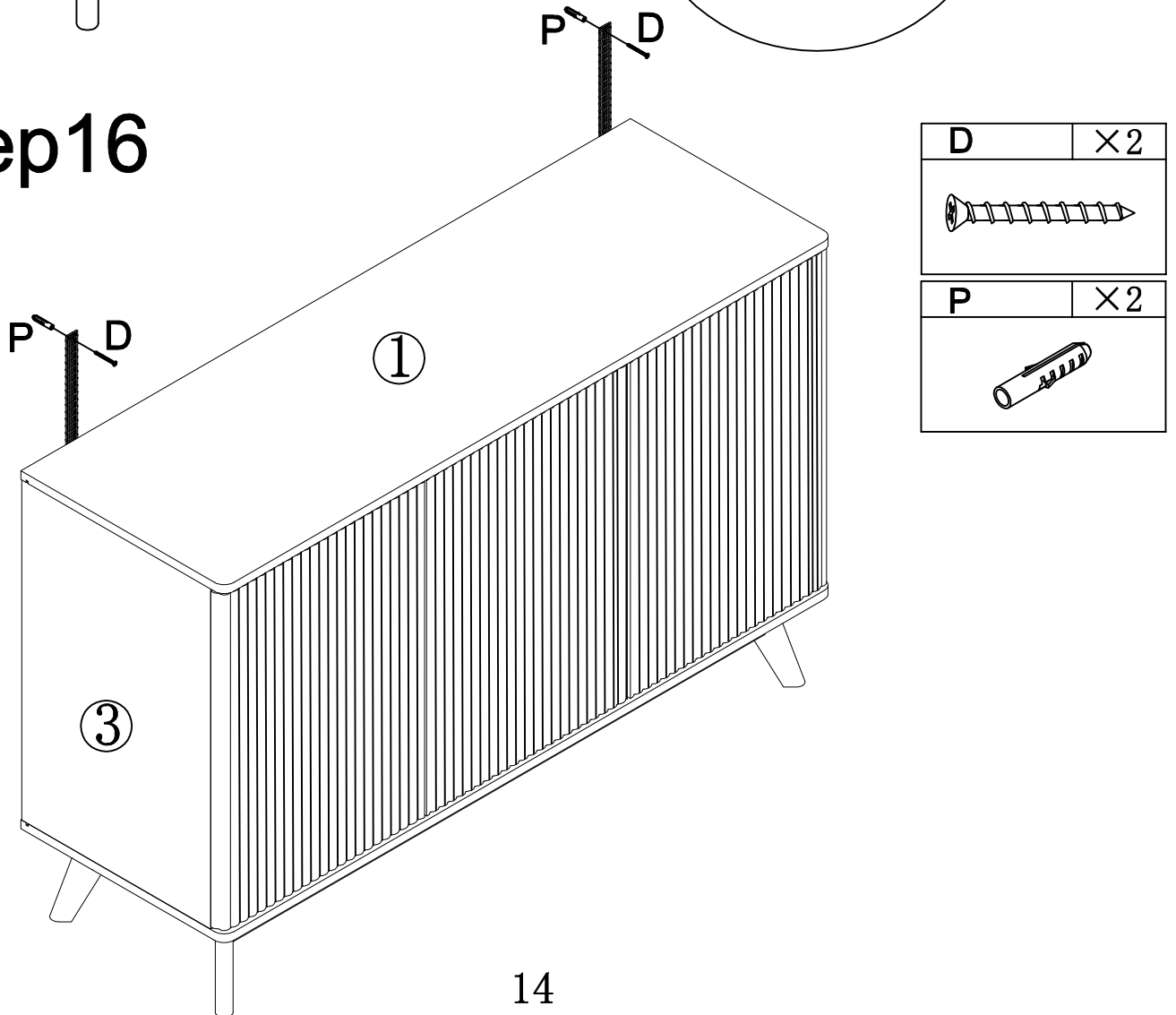


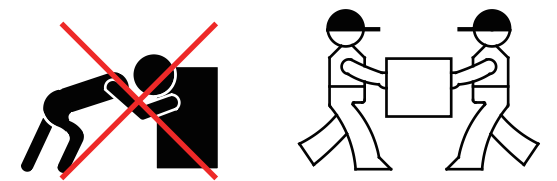
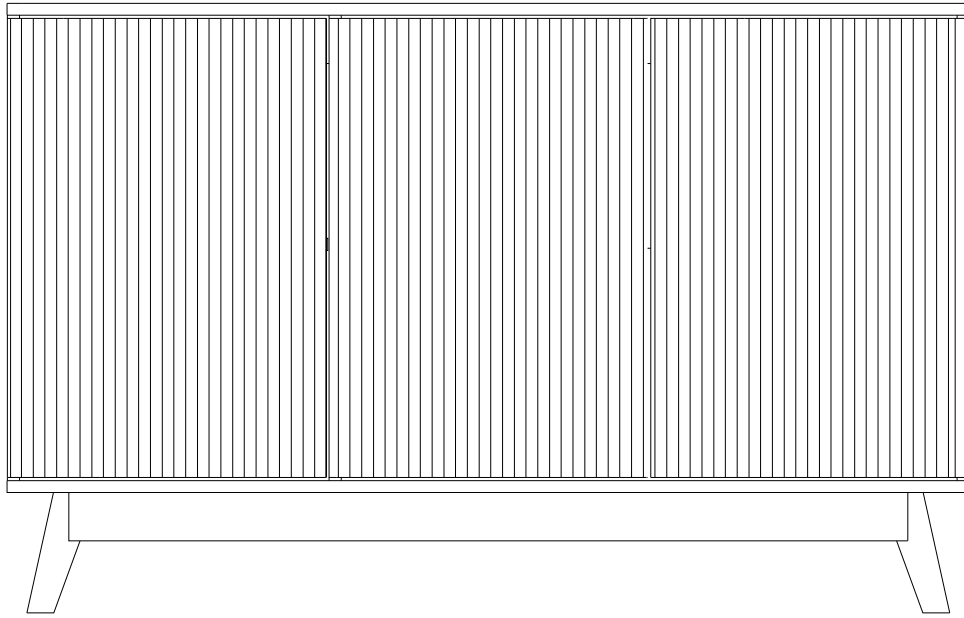
04 After the adjustment is complete, install the remaining two screws to secure the door in place.

Step 15



Step 16





Two people work together to move the table.
Make sure you lift it off the ground.
Don't push and pull.

The complex block contains two icons and three lines of text. The first icon shows a person in a crouched position lifting a table from the ground, with a large red 'X' over it, indicating this is an incorrect method. The second icon shows two people, each wearing a cap, lifting a table together from the ground, indicating the correct method. The text below the icons provides instructions: 'Two people work together to move the table.', 'Make sure you lift it off the ground.', and 'Don't push and pull.'