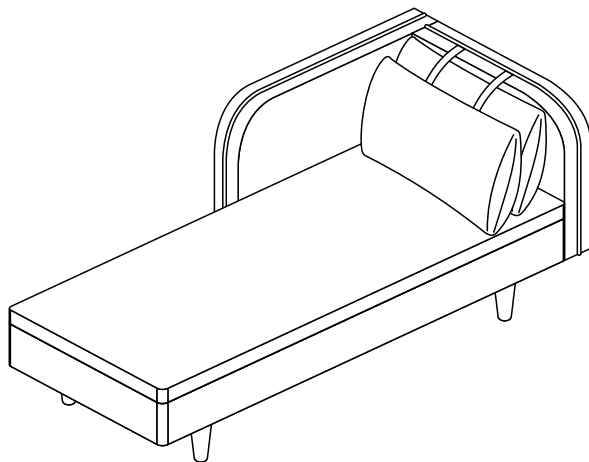


# ASSEMBLY INSTRUCTION MODEL



## Components/QTY

A 4PCS



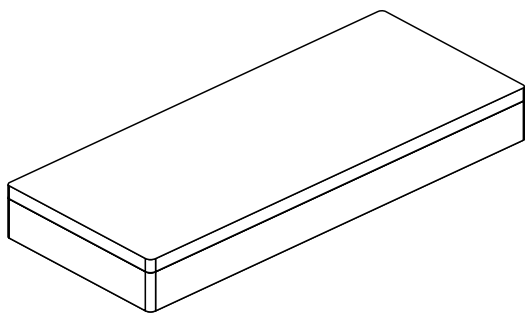
B 8PCS



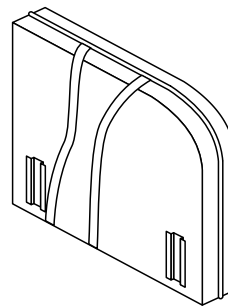
C 1PCS



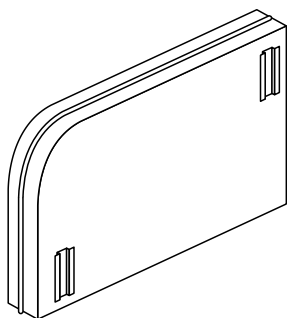
① 1PCS



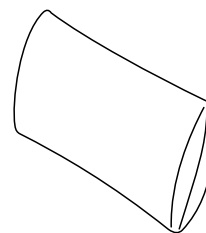
② 1PCS



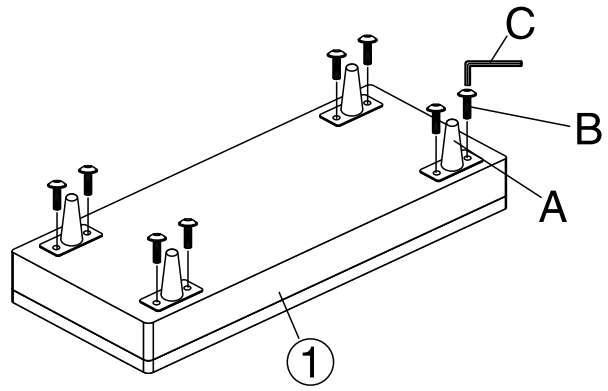
③ 1PCS



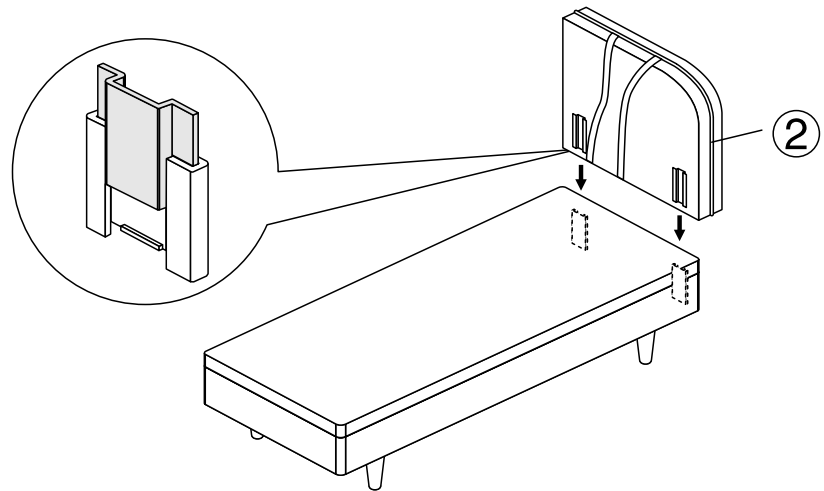
④ 2PCS



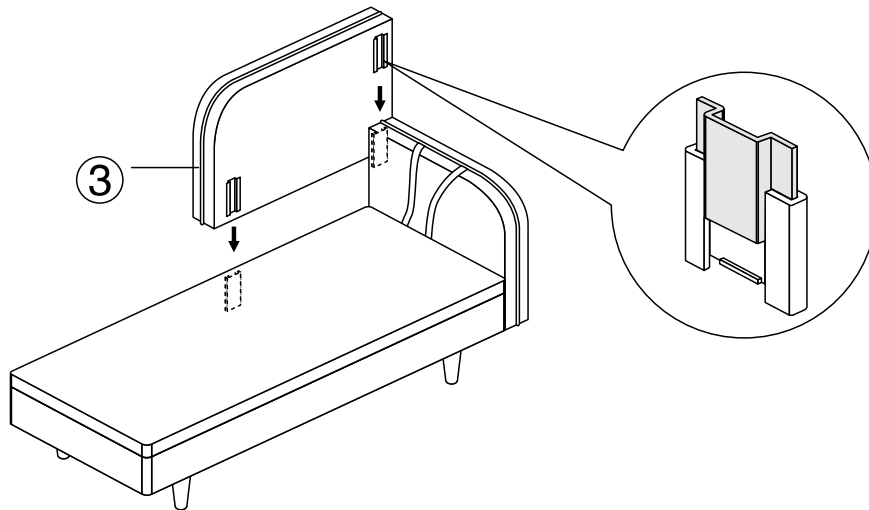
Step1



Step2



Step3



Step4

