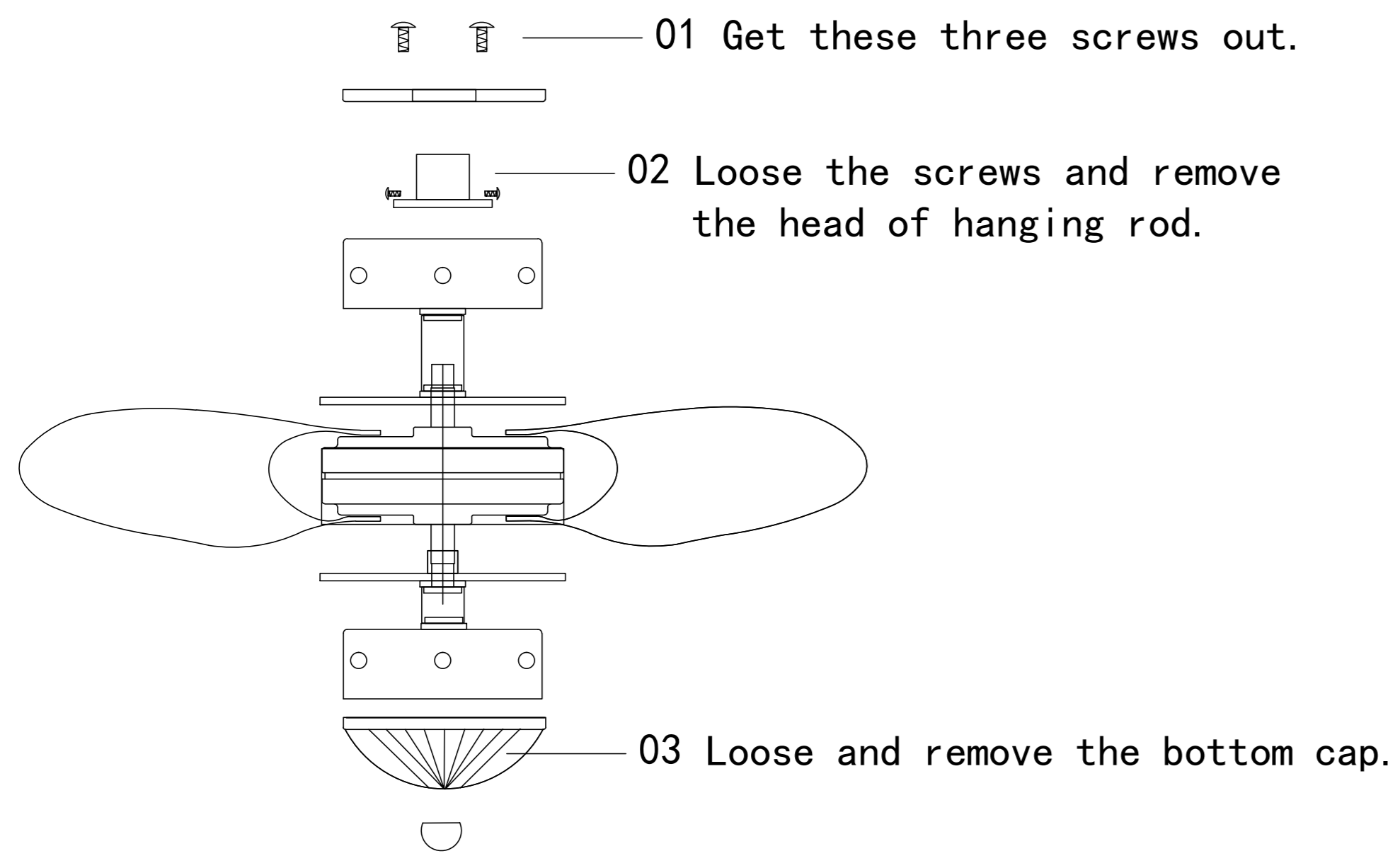


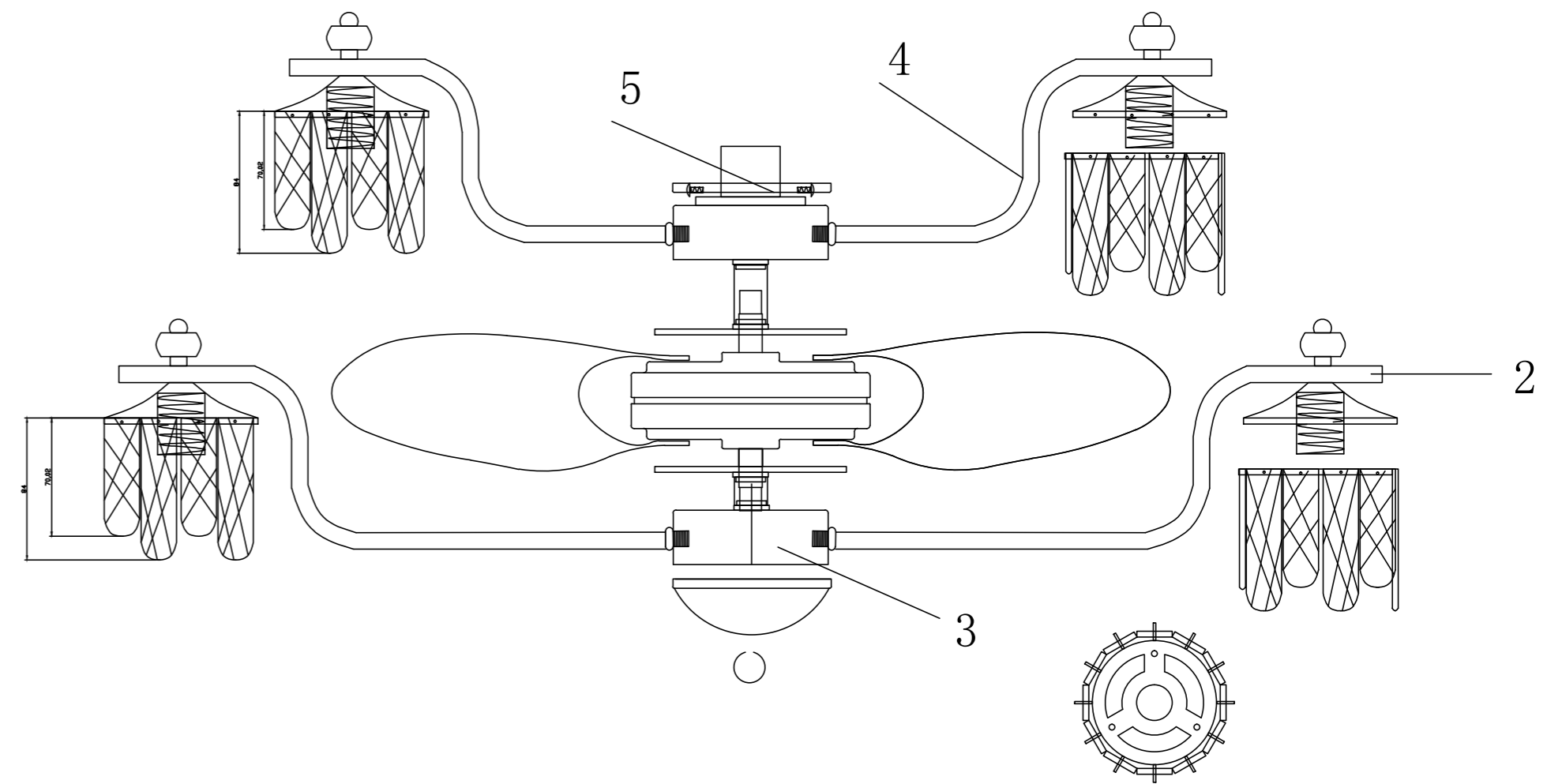
Installation Instruction

Part 1: Lamp Body Disassembly

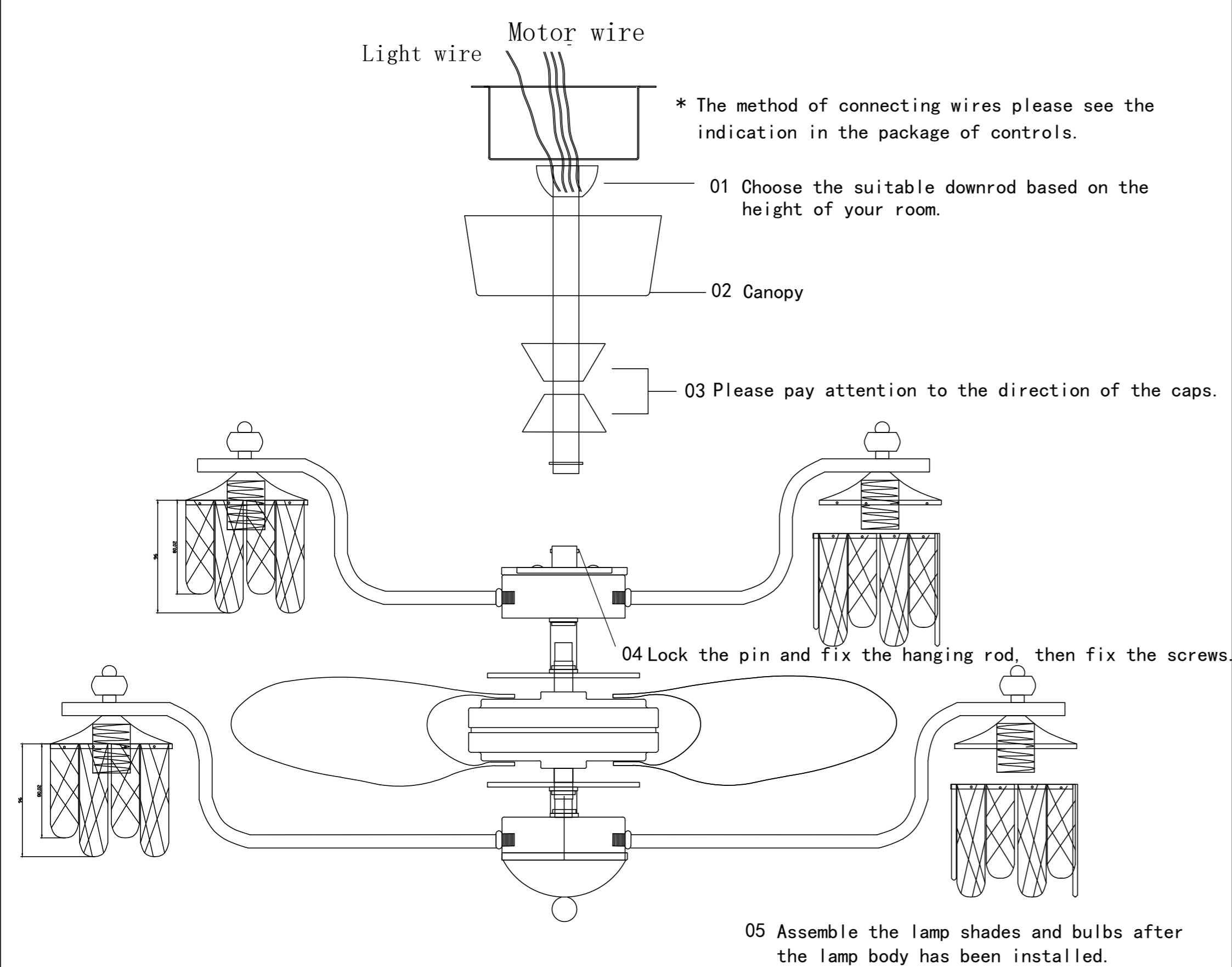


Part 2: Lamp Arms Assembly

- 01 There are two kinds of lamp arms. You can classify them according to the number ①/② on the package.
- 02 Fasten the eight long lamp arms and lock the hexagon nuts.
- 03 Connect up the wires and put the wires to the upper tier.
- 04 Fasten the four short lamp arms and lock the hexagon nuts.
- 05 Connect main wire with the wire from each arm.
- 06 When the above steps finish, tighten the screws back and reconstruct the lamp body.



Part 3: Downrod Assembly



Part 4: Fix the hanging plate on the position where the lamp needs to be hung.

