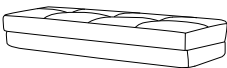
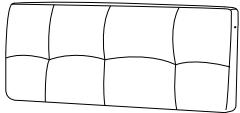
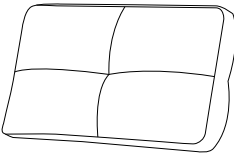
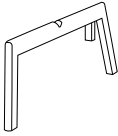
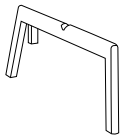
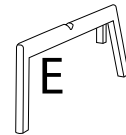
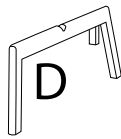
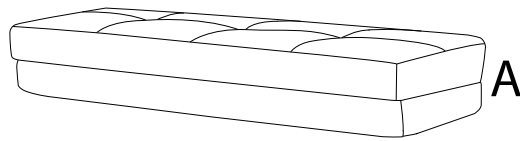
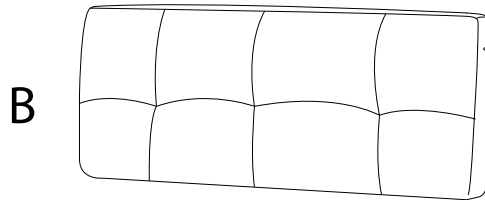

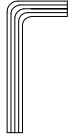
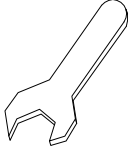
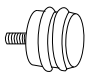
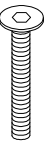
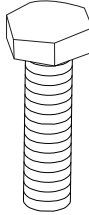
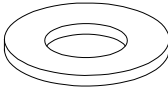
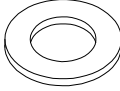


Assembly instructions for step 1/4:

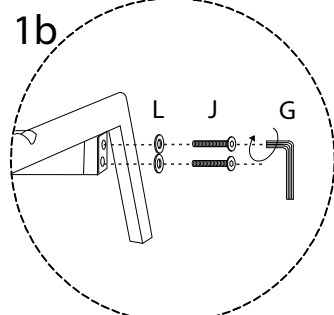
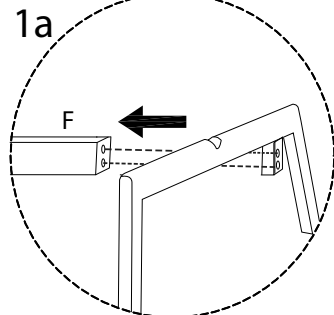
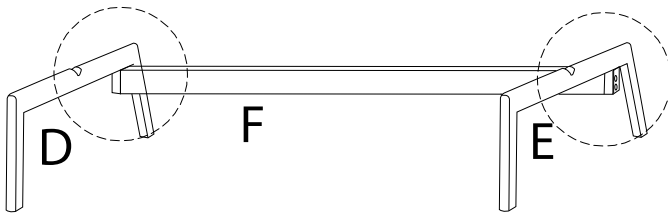
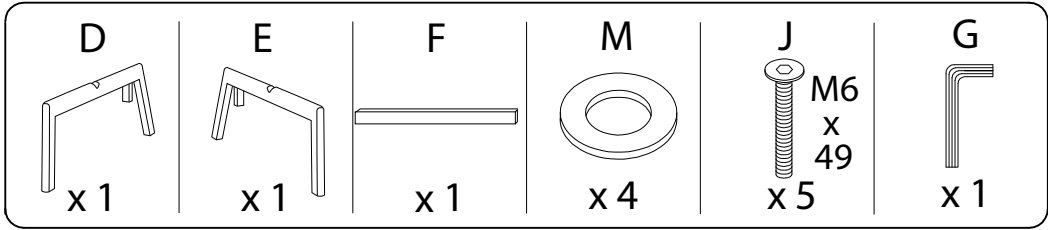
- Tools:** An icon in a circle shows an Allen key and a wrench. A power drill icon is crossed out with a diagonal line, indicating it should not be used.
- Warning:** A triangle with an exclamation mark points to the tool instructions.
- Time:** A clock icon is shown with the text "90'" below it, indicating a 90-minute assembly time.
- Personnel:** An icon of a person is shown with the number "1" below it, indicating that one person is required for assembly.
- Diagram:** A second warning triangle points to a diagram showing a rectangular block being placed on a textured surface. A second diagram shows the block being secured with a screw from underneath, with a diagonal line through it.

A	B	C	D	E
				
x 1	x 1	x 2	x 1	x 1

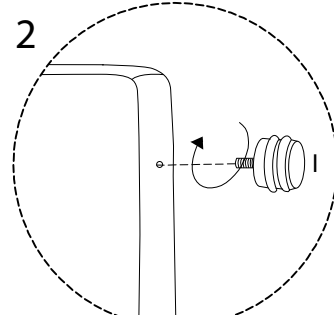
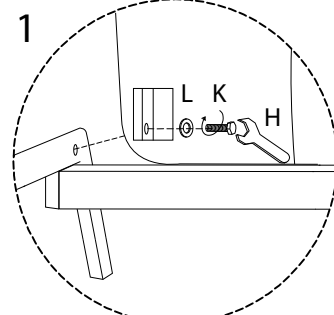
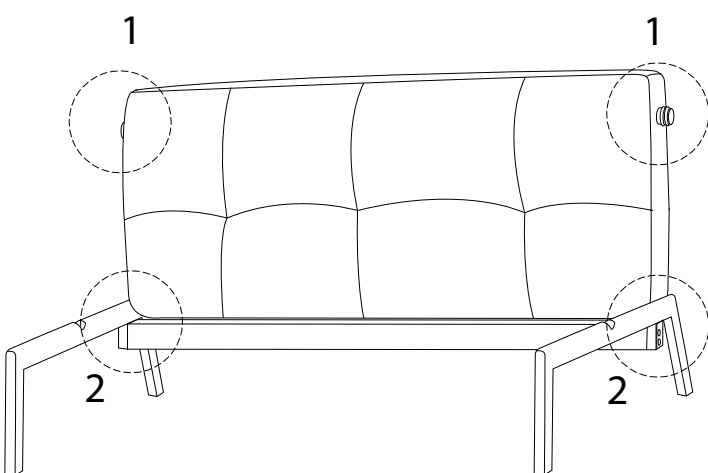
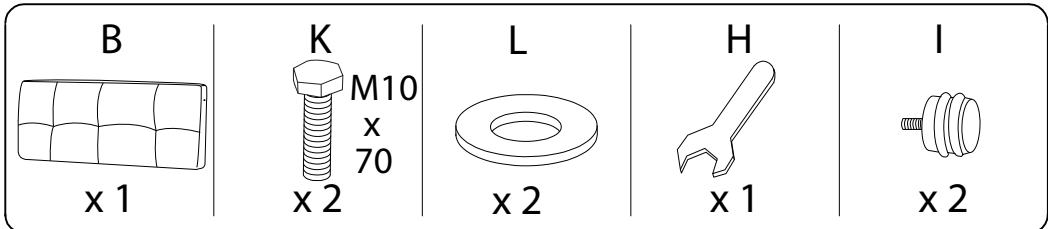


F	G	H	I
			
x 1	x 1	x 1	x 2
J	K	L	M
 M6 x 49	 M10 x 70		
x 4	x 4	x 4	x 4

1



2



3

