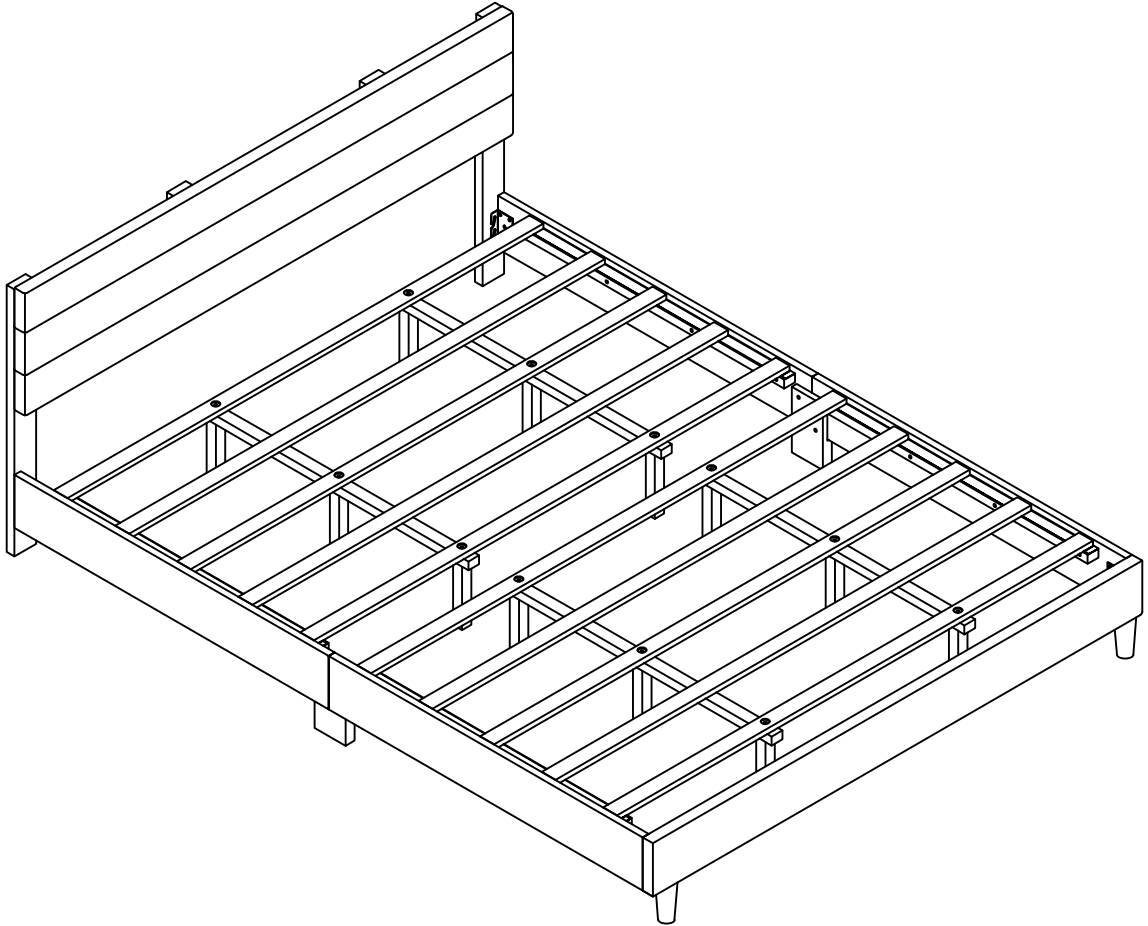


# KING BED ASSEMBLY INSTRUCTIONS

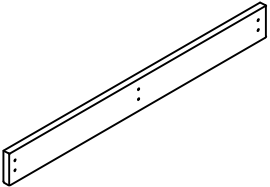
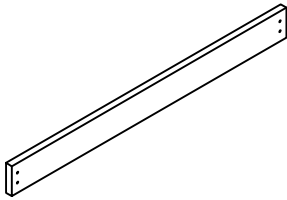
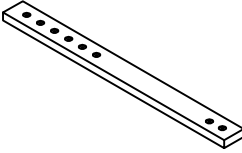
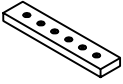

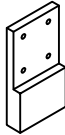
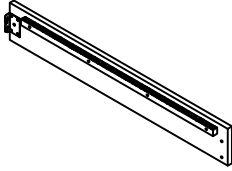
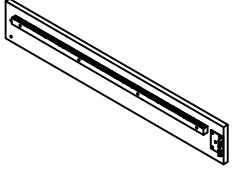
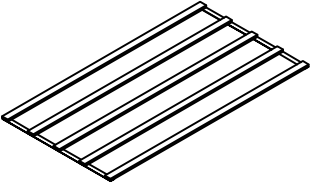
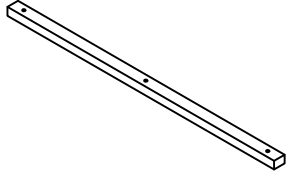



**THANK YOU FOR PURCHASING BED**


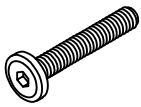


## **WARNING**

- No rough tools or corrosive detergent for cleaning.
- The package contains some heavy parts and sharp-edged parts, please be careful when assembling to avoid any physical injury around you.
- Do not stand on the bed frame before placing the mattress
- Please strictly observe the steps of the instructions.
- Do not use a broken item and contact our customer service for guidance.

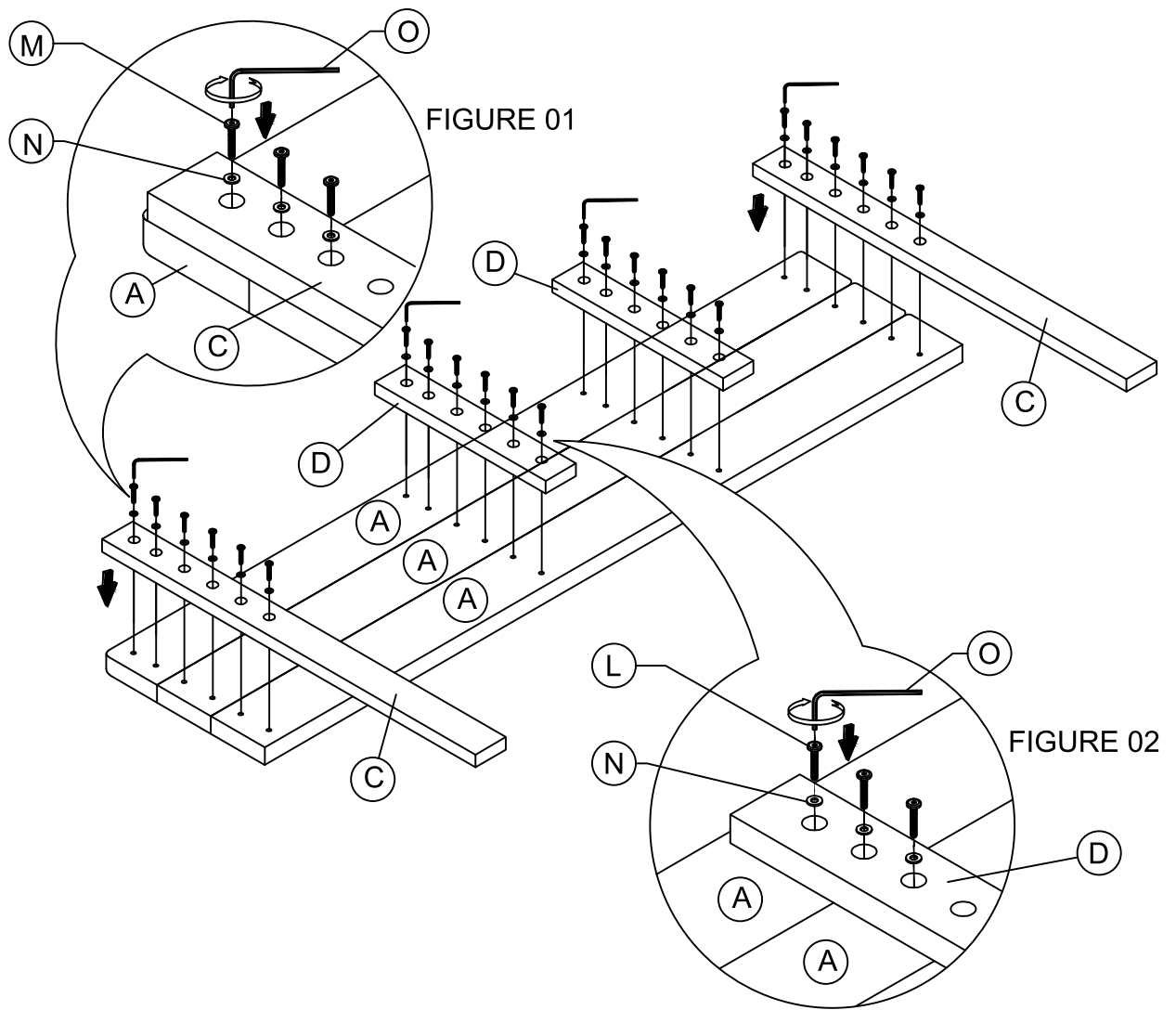
## PART LIST

 <b>(A): 3PCS</b>	 <b>(B): 1PC</b>	 <b>(C): 2PCS</b>	 <b>(D): 2PCS</b>
 <b>(E): 2PCS</b>	 <b>(F): 2PCS</b>	 <b>(G): 2PCS</b>	 <b>(H): 2PCS</b>
 <b>(I): 2SETS</b>	 <b>(J): 4PCS</b>	 <b>(K): 12PCS</b>	

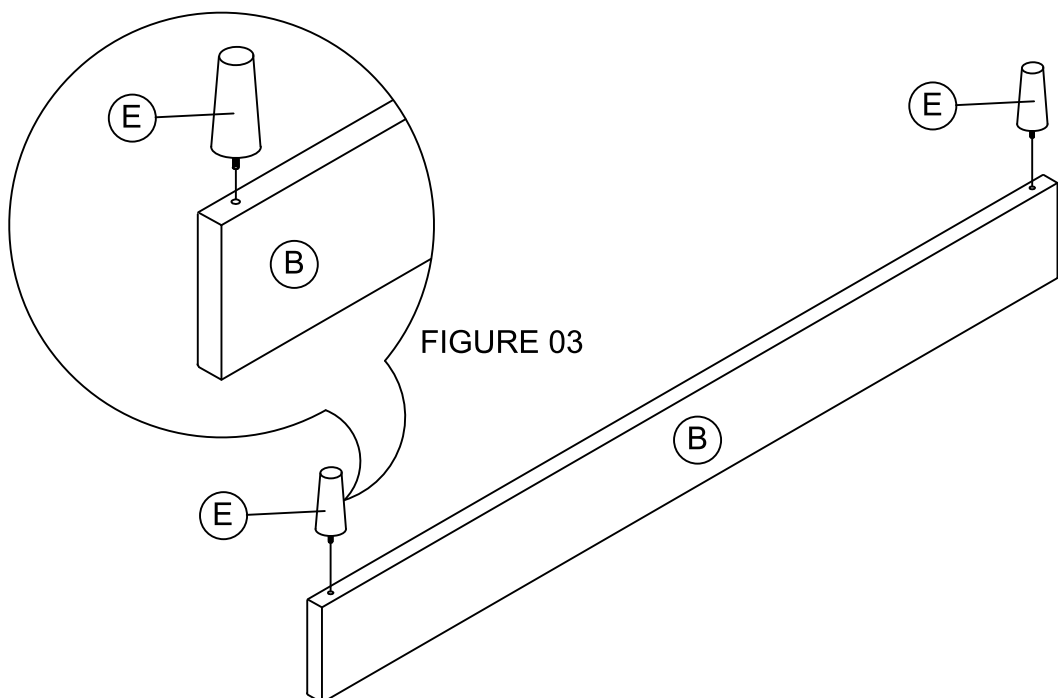
## HARDWARE LIST

M8 x 25mm  <b>(L): 28+1PCS</b>	M8 x 40mm  <b>(M): 12+1PCS</b>	M8  <b>(N): 40+2PCS</b>	 <b>(O): 1PC</b>
---	---	---	--

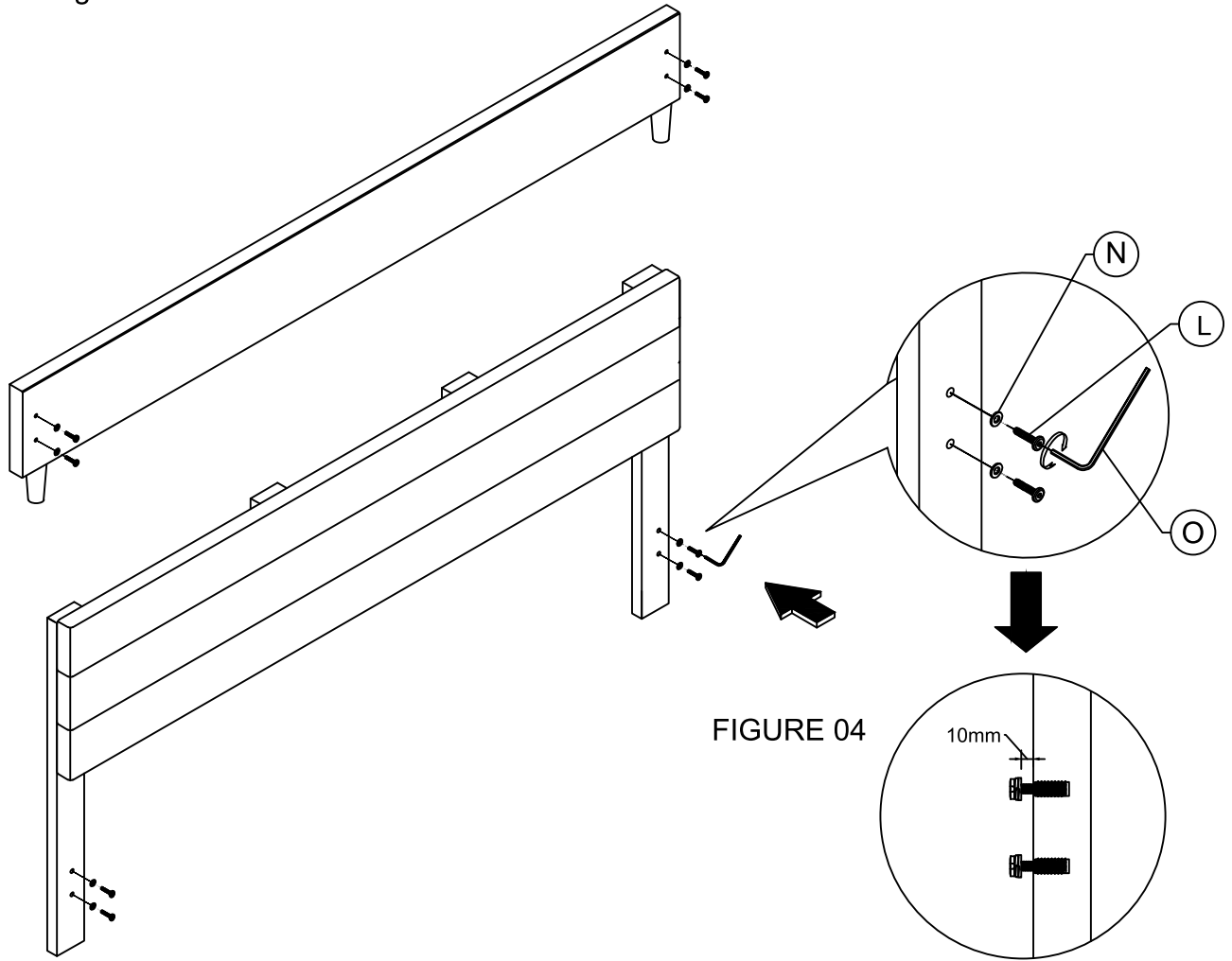
Step1: Install the leg (C) ,(D) to the Headboard panel (A) by using the Allen bolt (L) and (M) with flat washer (N) and Allen key (O).See FIGURE 01,FIGURE 02.



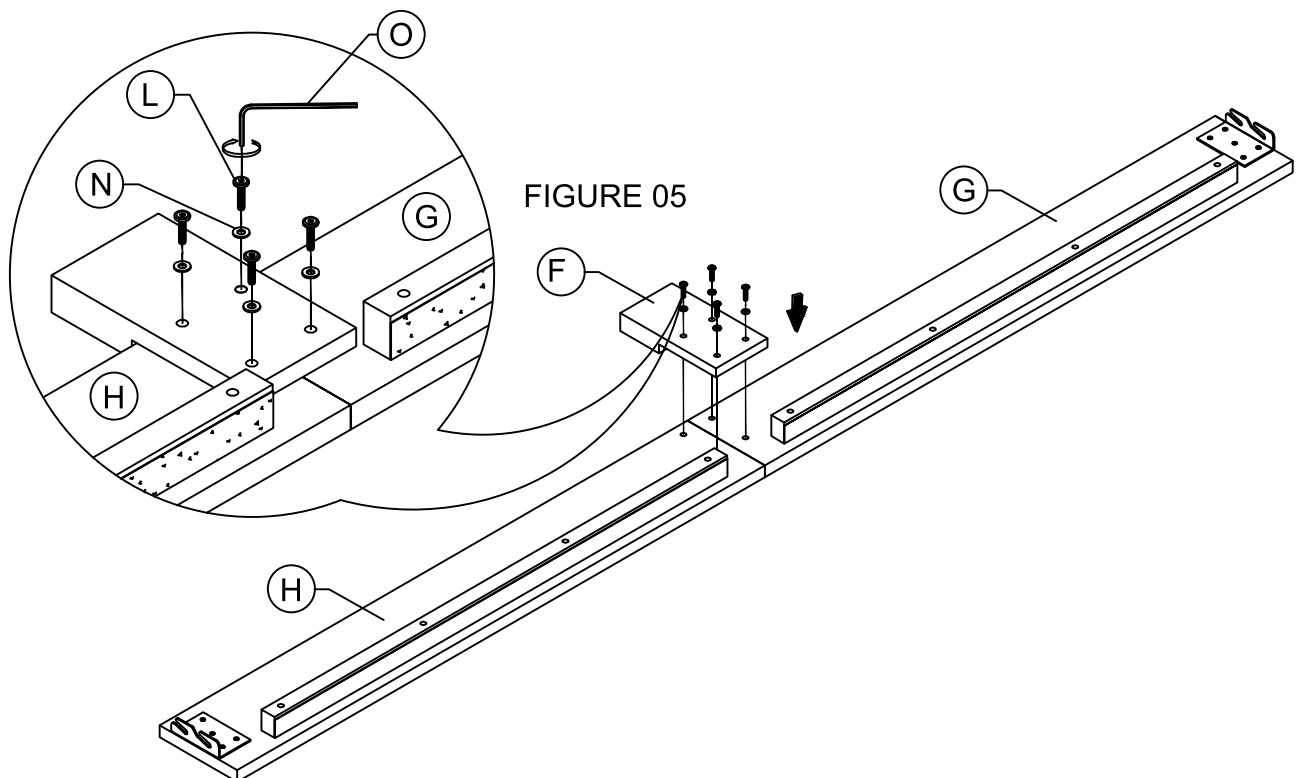
Step2: Install the leg (E) to the Footboard panel (B).See FIGURE 03.



Step3: Insert set of the bolts (M),flat washer (N) into the fixed nuts on the headboard/footboard by manually. NOTE: Do not fully tighten the bolts, leave at least 10mm visible so that you can hanger hook on the bolts. See FIGURE 04.

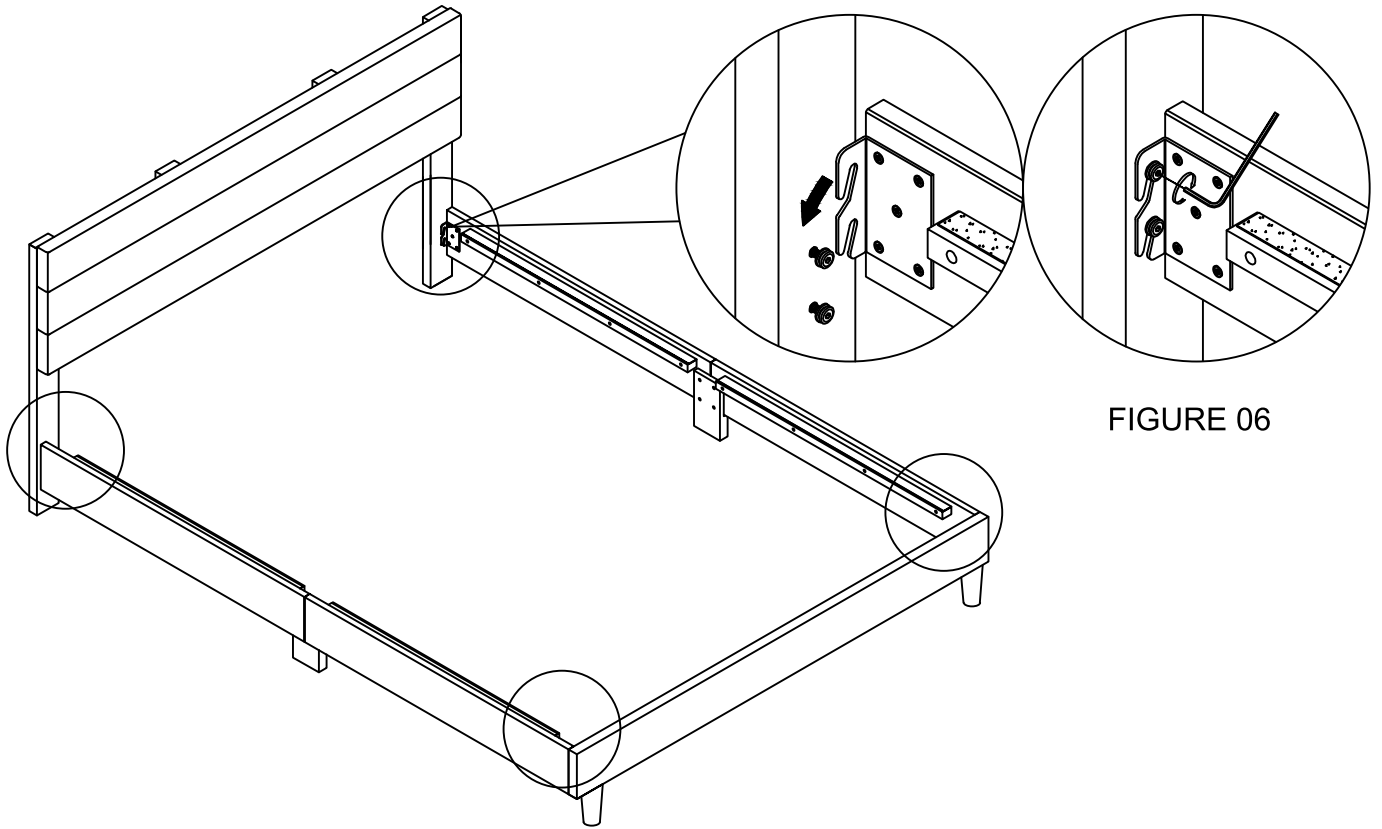


Step4: Install the leg support (F) to the side rail by using the Allen bolt (M) with flat washer (N) and Allen key (O).See FIGURE 05.

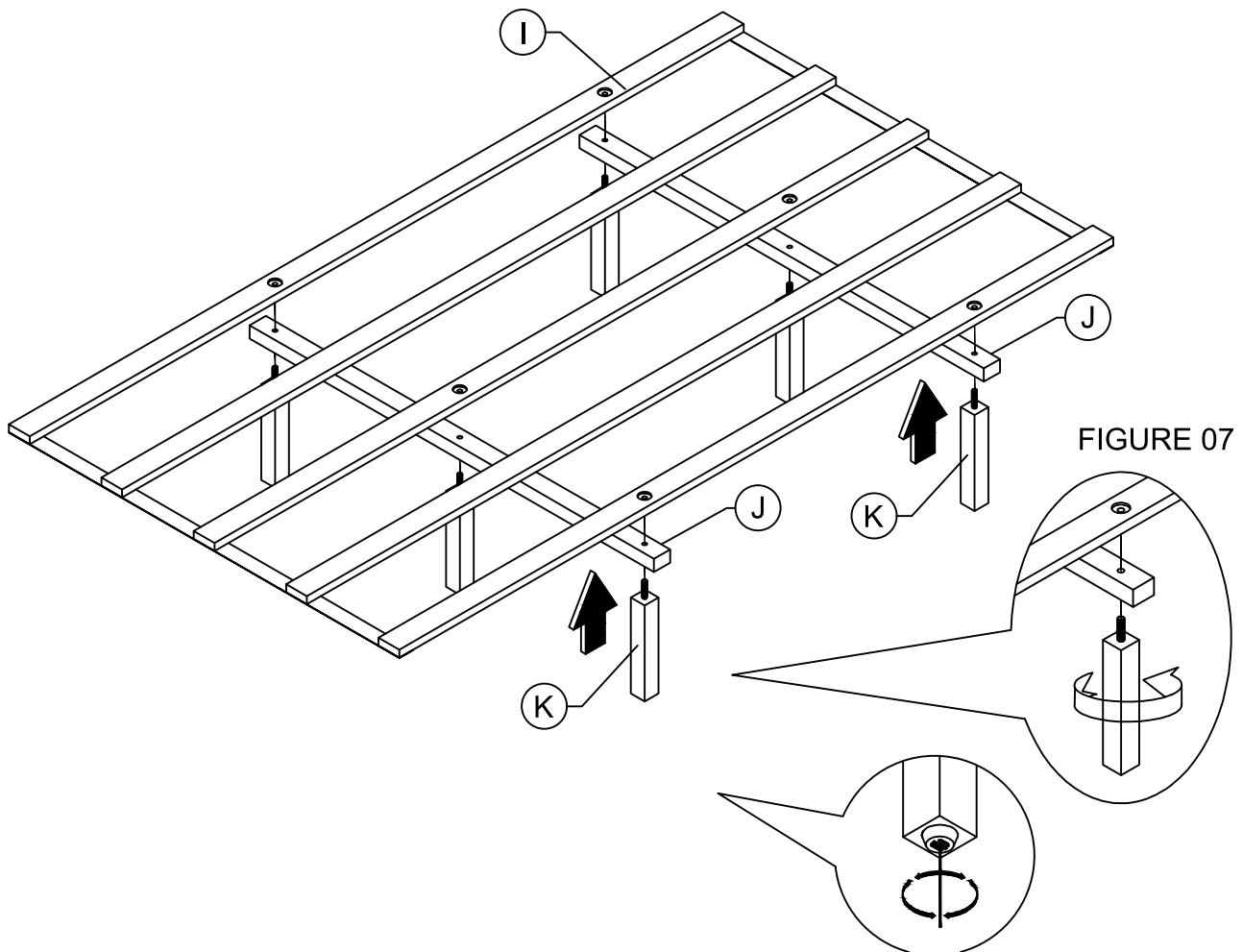


Step5: Raise the side rail (G/H) up , bring the side rail and align the hook on the side rail to the bolts. Once the side rail is set, tighten all bolts by using a Allen key (O) as FIGURE 06.

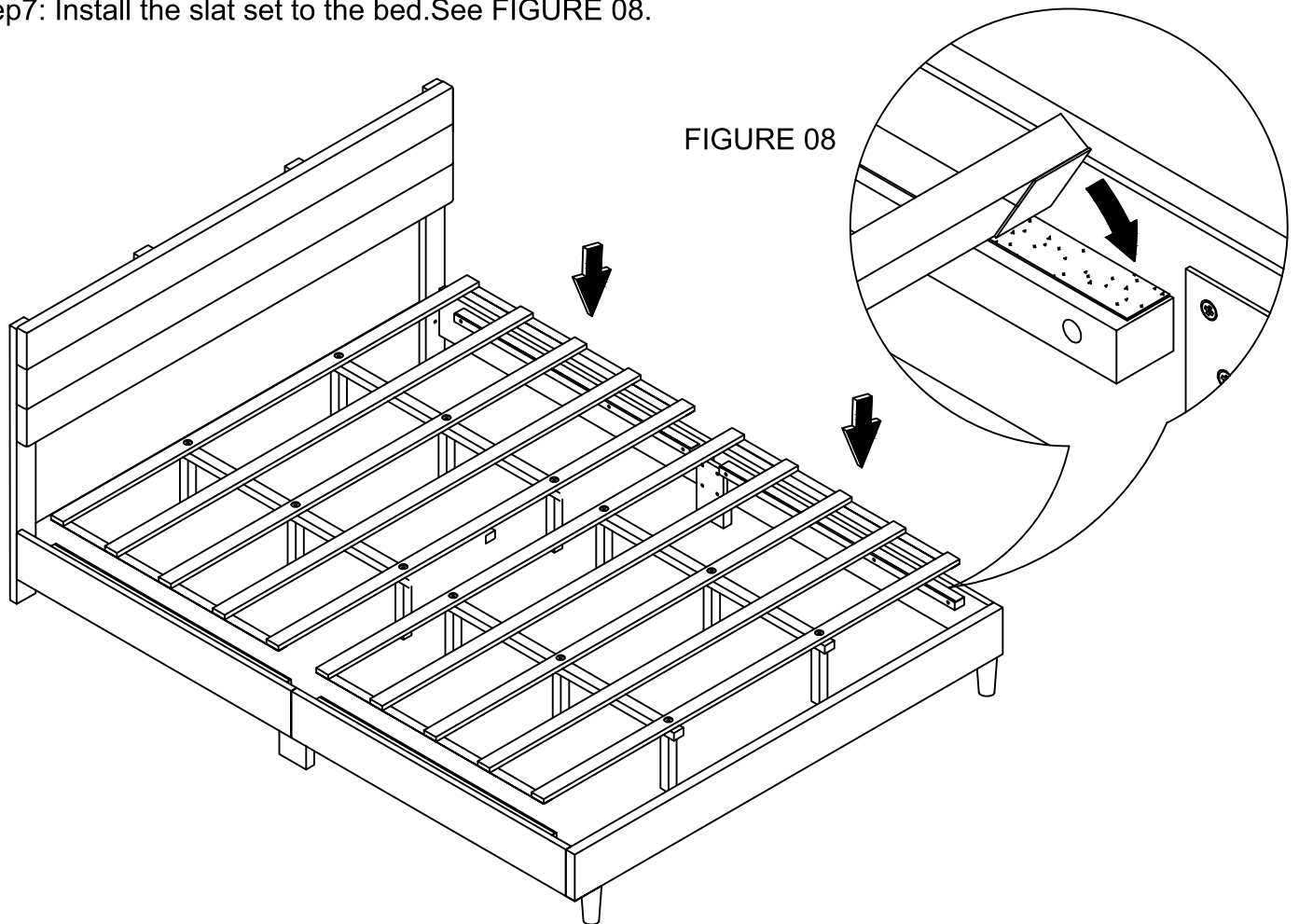
After assembly, re-tighten all bolts for a snug fit. DO NOT OVER TIGHTEN.



Step6: Install the center rail (J) to the slat set (I) and tighten by the center legs (K) .See FIGURE 07.



Step7: Install the slat set to the bed. See FIGURE 08.



**ASSEMBLE COMPLETE.**

