

ASSEMBLY INSTRUCTIONS

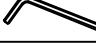



Full Bed

Thank you for purchasing this quality product. Be sure to check all packing materials carefully for small parts, which may have come loose inside the carton during shipment. Identify and count all items and compare with the parts list and/or hardware list shown.

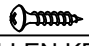
PART LIST

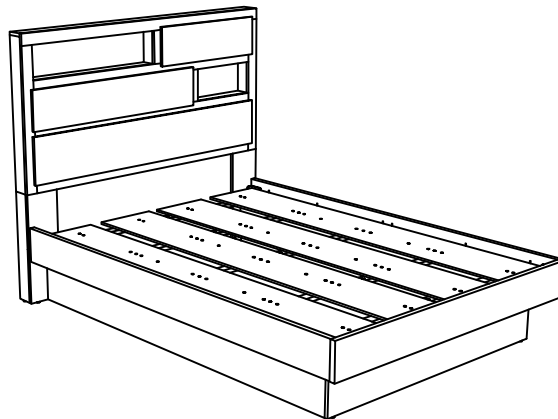
No	ITEM	Qty
A	Headboard	1 pc
B	Footboard	1 pc
C	Headboard Leg(L&R)	2 pcs
D	Bed Slats with marking	2 pcs
E	Bed Slats without marking	3 pcs
F	Bed Slats Support	5 pcs
G	Side Rail	2 pcs
H	Side Rail Inner	2 pcs
I	Side Rail Inner Center Support	1 pc
J	Concealed Panel	4 pcs

HARDWARE LIST (INSIDE HEADBOARD)

No	ITEM	Qty
1	ALLEN KEY m4x65mm Blk 	1 pc
2	JCBC M6 x 35mm 	12 pcs
3	SPRING WASHER 1/4" Rbw 	12 pcs
4	Flat Washer 1/4"ID x 19mmOD Blk 	12 pcs

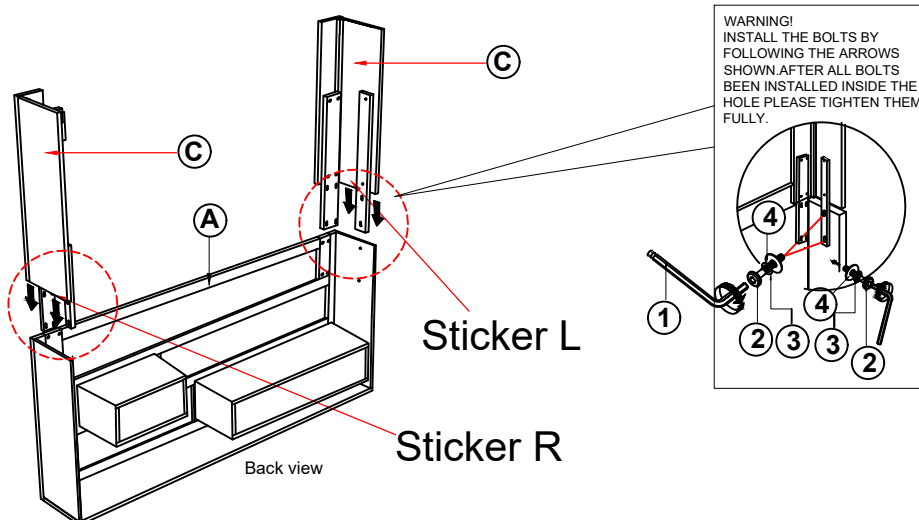
HARDWARE LIST (INSIDE SIDE RAIL)

No	ITEM	Qty
5	Flat Head Chipboard Screw m4x32mm Rbw 	12 pcs
6	JCBC M6 x 50mm 	5 pcs
7	Pan Head Screw M3.5 x 20mm 	20 pcs
8	ALLEN KEY m4x65mm Blk 	1 pc
10	ALLEN KEY m5x65mm Blk 	1 pc

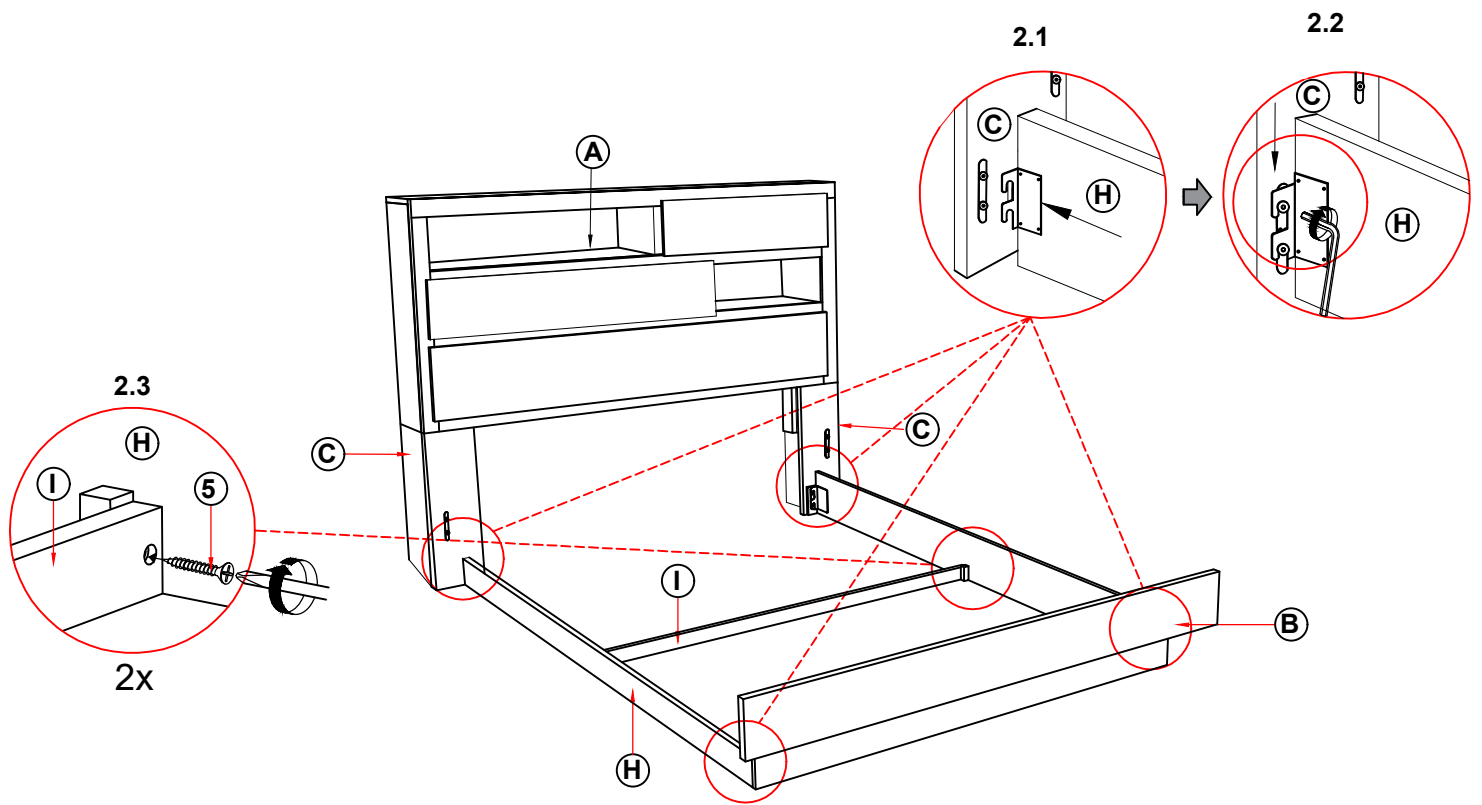


STEP 1.1 : Attach Head Board Leg (C) to Head Board (A) as shown using JCBC BOLT (2) with Spring Washer (3), Flat washer (4) and securing with ALLEN KEY (1).

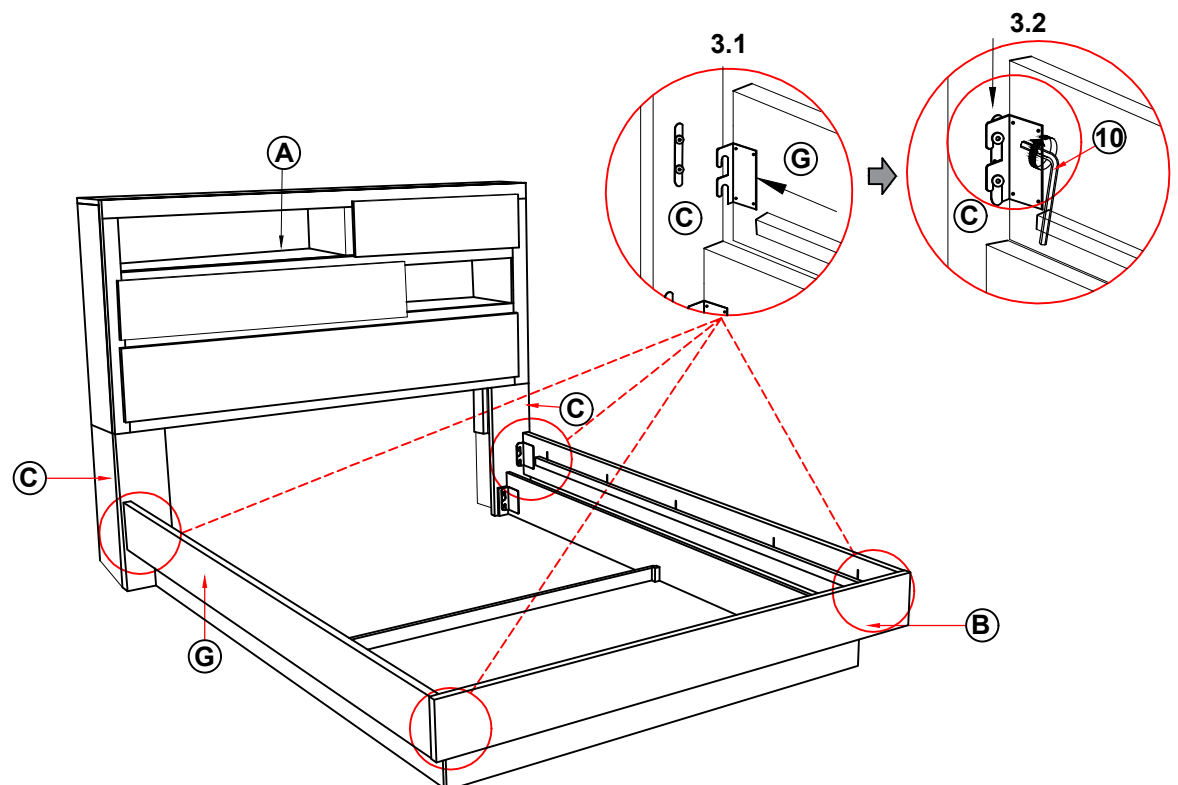
STEP 1.2 : Repeat the same step for other leg assembly .



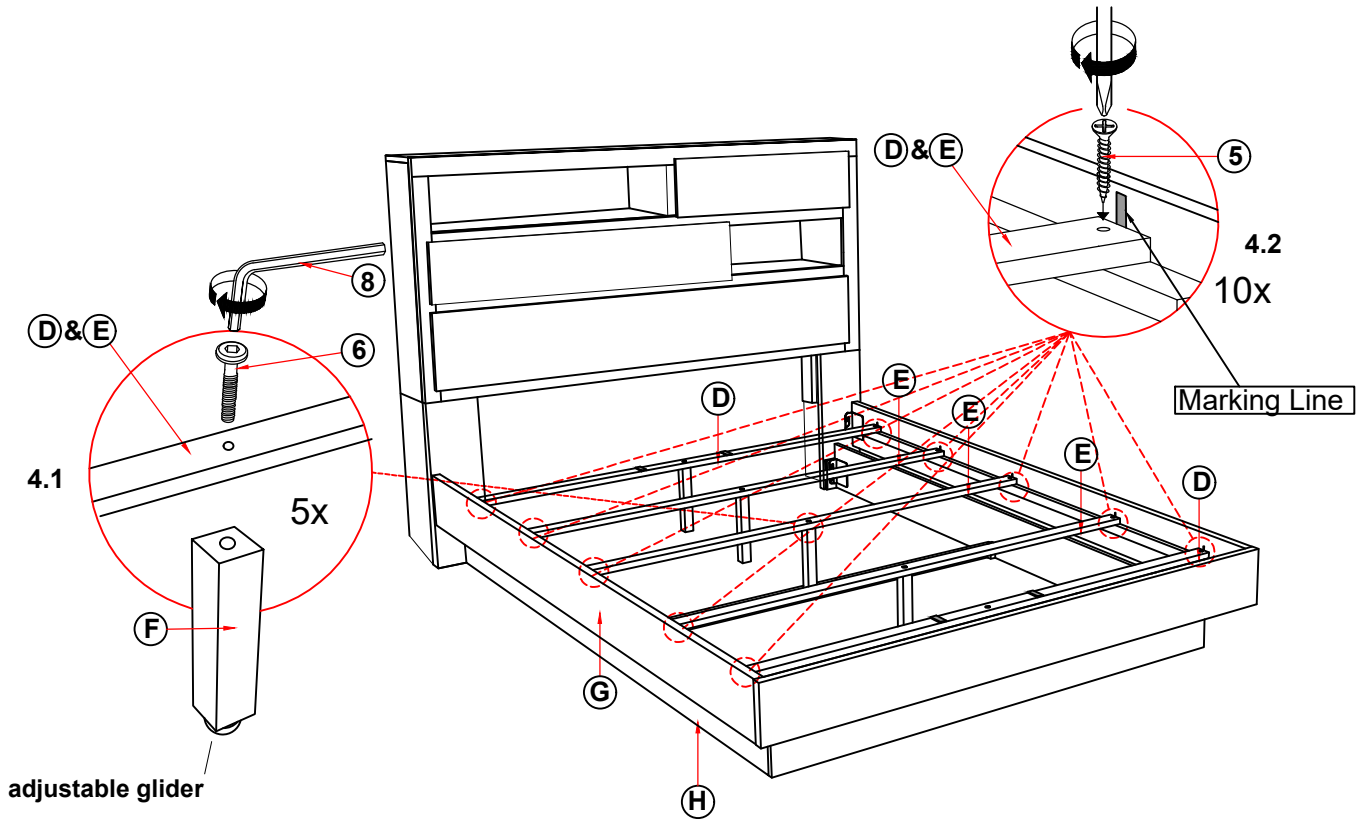
STEP 2 : Align side rails (H) to the bolts of the headboard Leg (C) and footboard (B). Fully tighten the bolts.



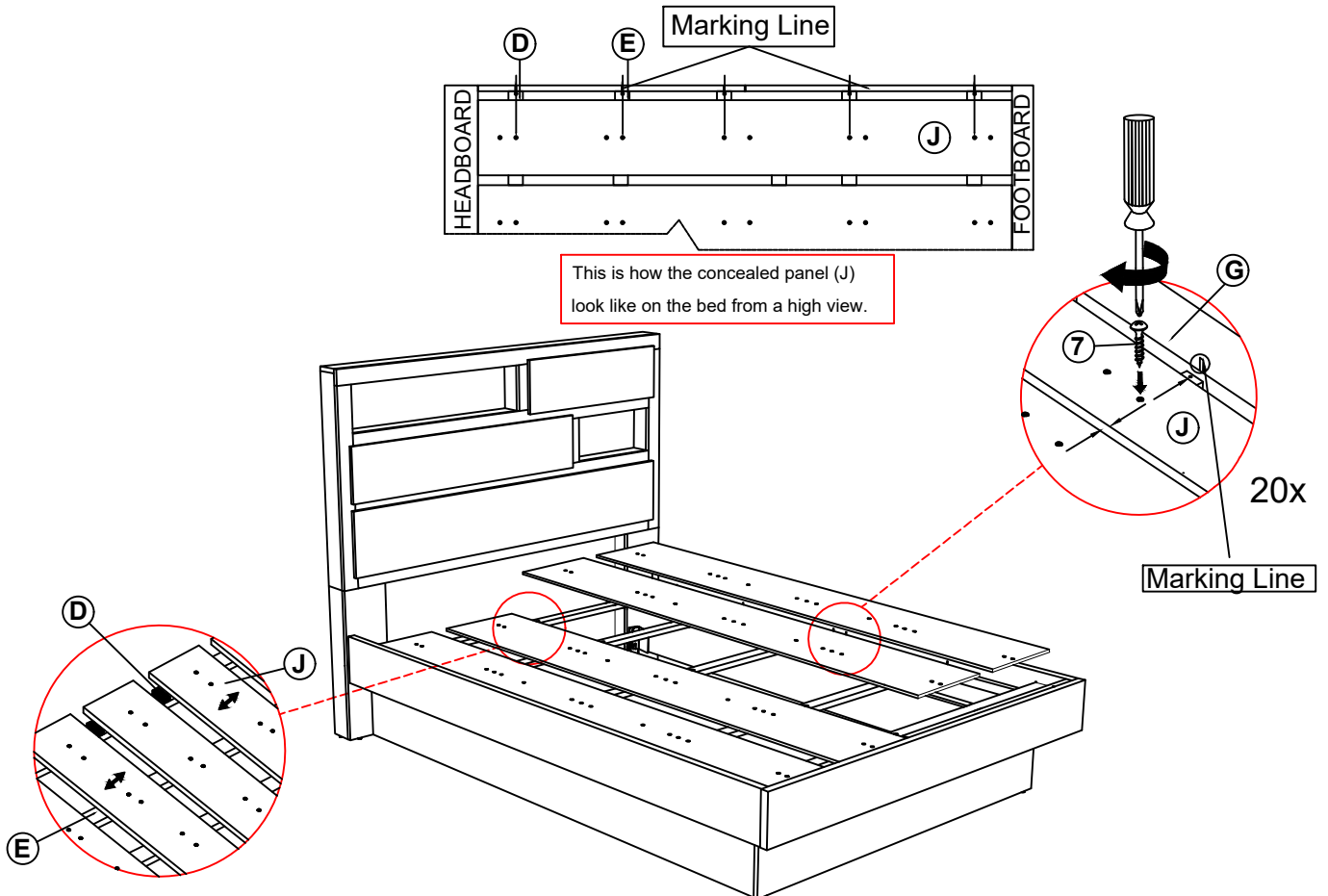
STEP 3 : Align side rails (G) to the bolts of the headboard Leg (C) and footboard (B). Fully tighten the bolts.

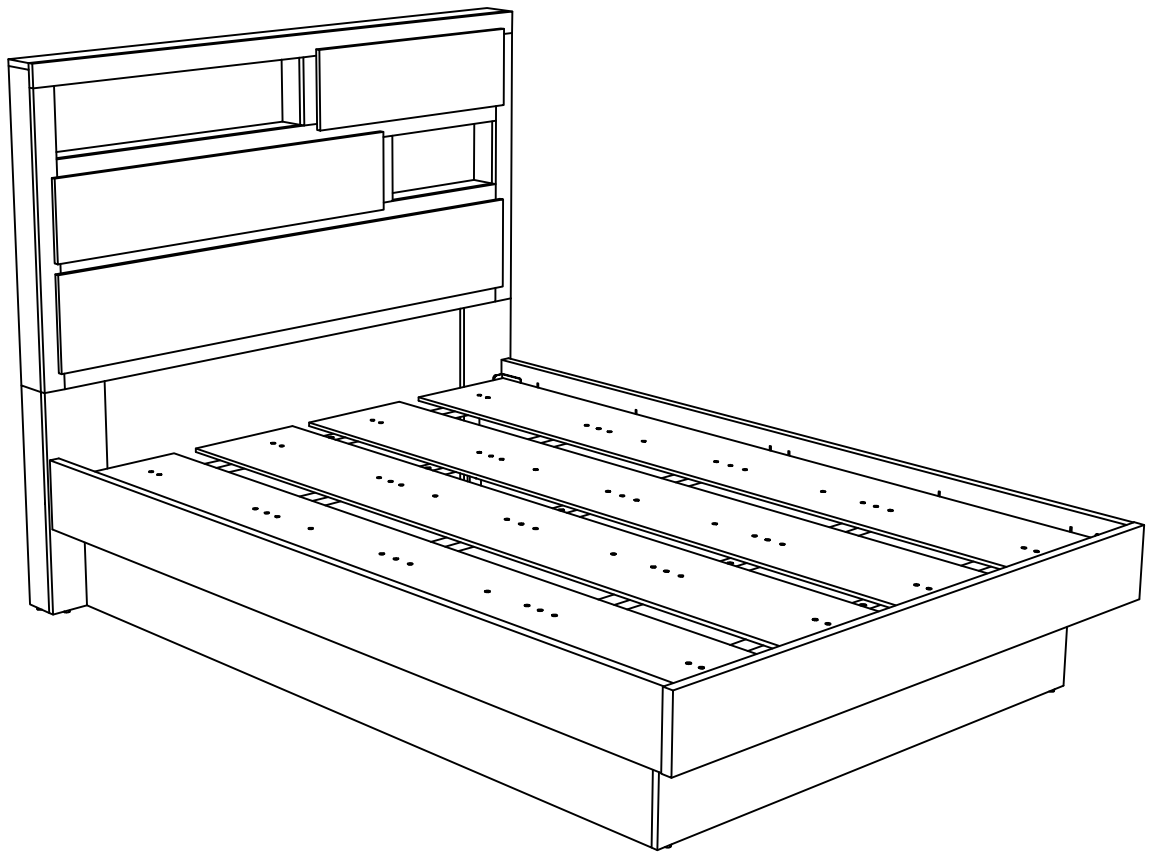


STEP 4 : Fix the Bed Slat Support Leg (F), to Bed Slat (D,E) and tighten with JCBC Bolt (6) as shown . Align the bed slat (D,E) to side rail (G) follow the line marking provided and tighten with Csk Screw (5) as per diagram shown. (NOTE: THE SETUP MUST DONE AT THE DECIDED LOCATION FOR THE BED TO OBTAIN PERFECT STABILITY)
Repeat step 3 for other set of slats assembly.



STEP 5: Align the concealed panel (J) on the bed slat (D,E) by follow the marking provided and secure with Pan Head Screw (7) by tighten them with screw driver.(NOT PROVIDED)





COMPLETED ASSEMBLY