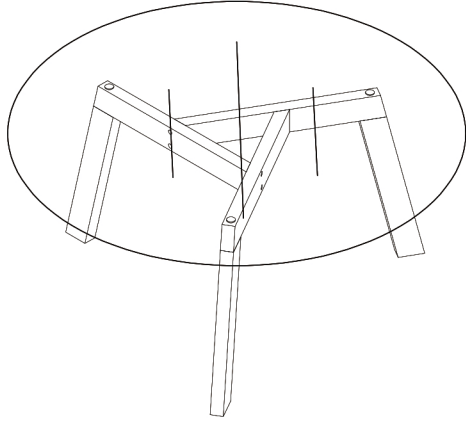


# Assembly Instruction

NOTICE: Before assembly, move all parts and place them on a soft surface.

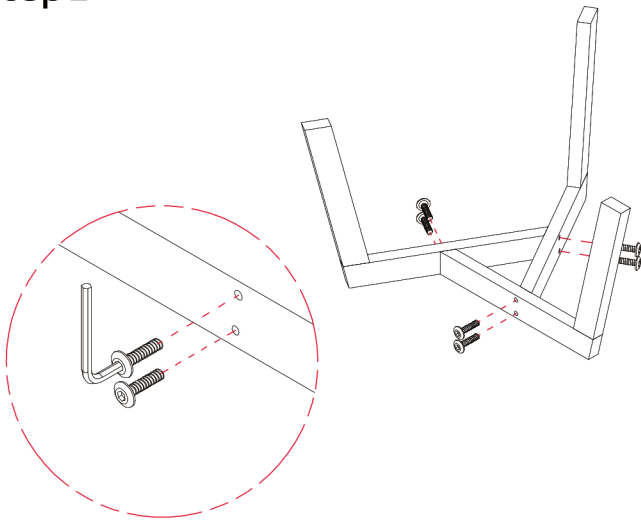


## Hardware & Component

NAME	PICTURE	QTY
Panel		1
Table leg		3
Glass suction cup		3
Screws1		6
Hex Wrench		1

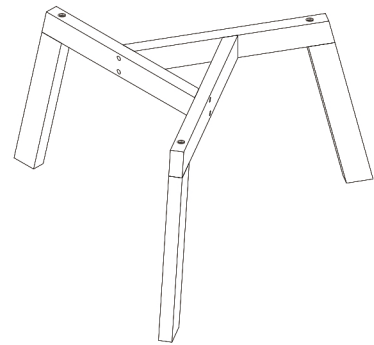
Note: If you find any missing or damaged accessories in your package, please contact us promptly and we will send you the corresponding accessories for free.

### Step1



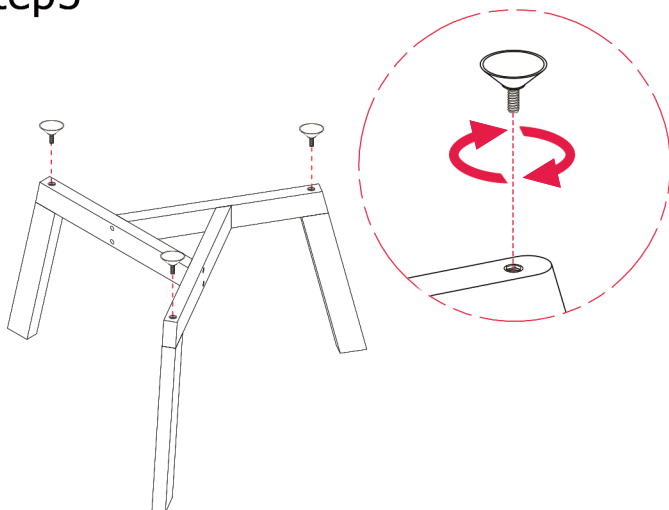
Screw the screws into the holes of the table legs. Tighten and assemble the three table legs.

### Step2



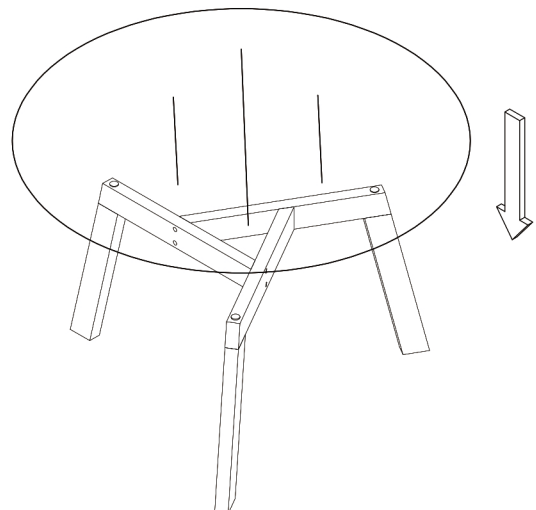
Flip it 180 degrees to continue installation.

### Step3



Screw the glass suction cup into the table leg as shown.

### Step4



As shown in the picture, place the glass tabletop on the table legs