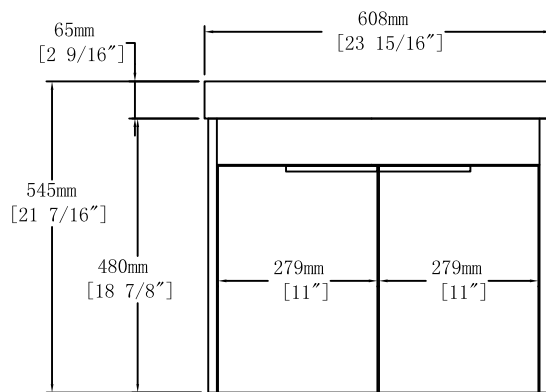
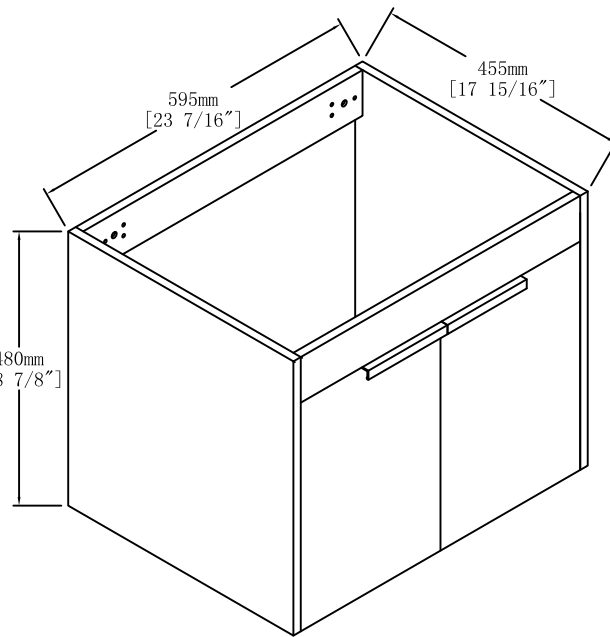
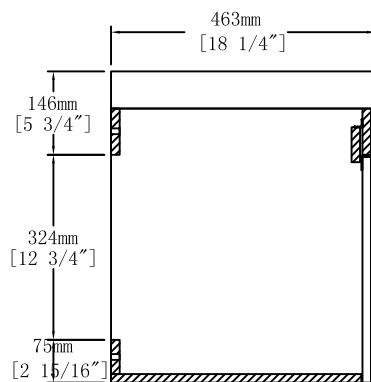


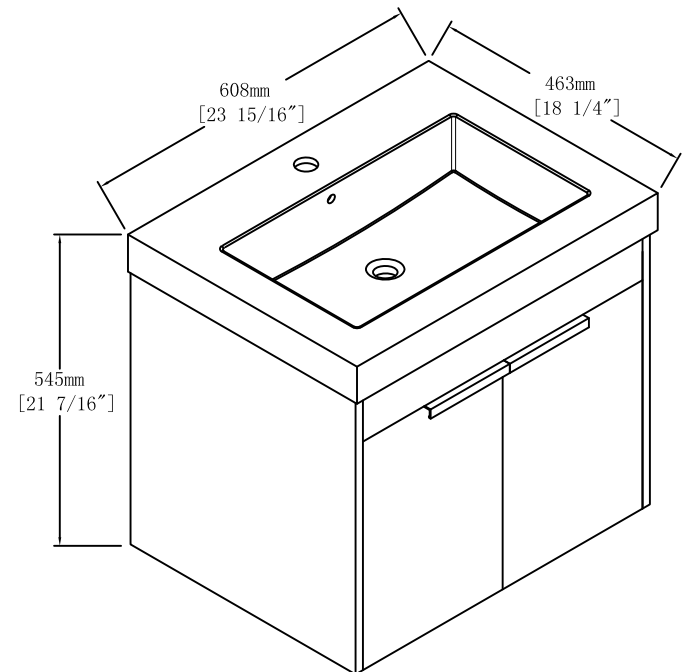
Top View



Front View



Side View



	Item NO.	BV B02124	Version	V1
	Projece		Date	2022-6-17