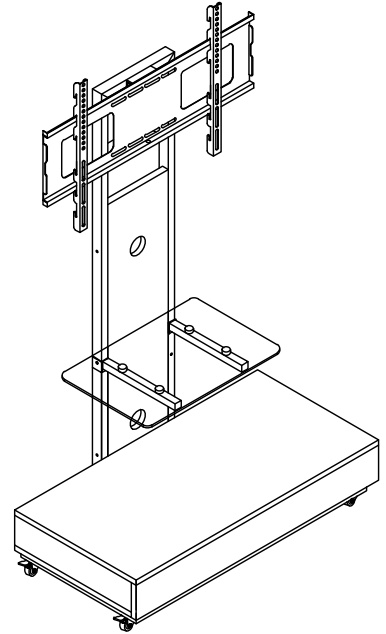


Important

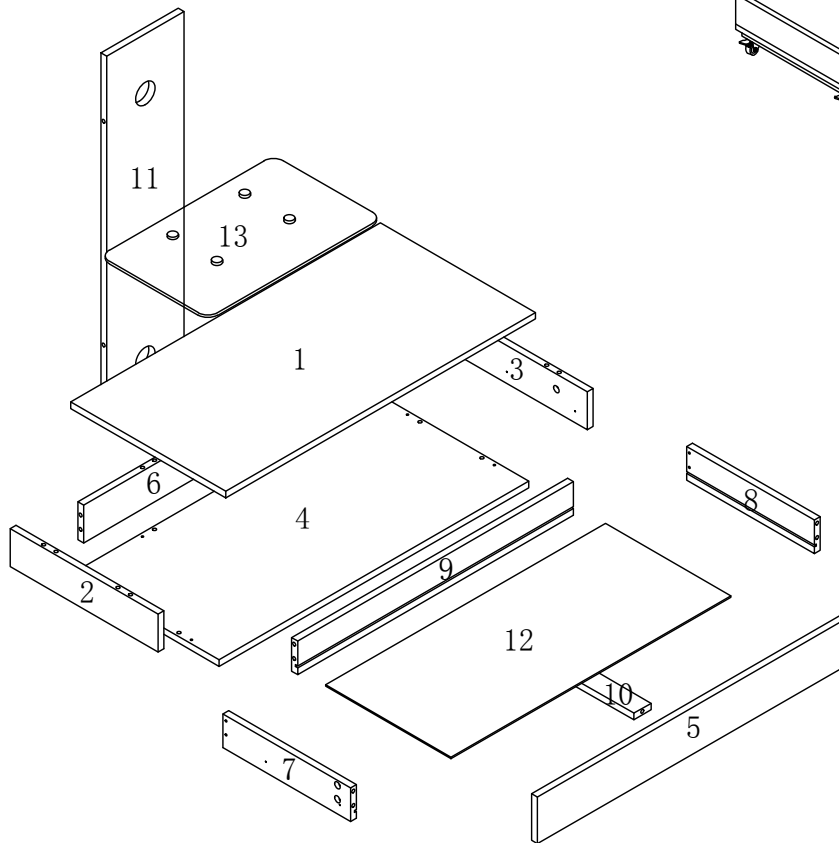
Please inspect all items carefully before assembling.
 If for any reason you need to return this item, you must return it in its original packaging.
Assembled items can not be returned.


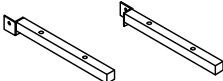
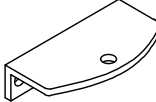
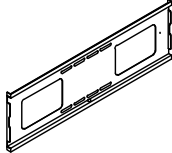
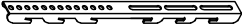

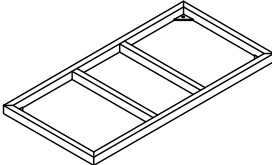
Model No.:
MAT7601-N

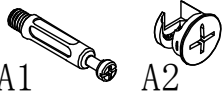
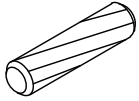
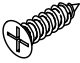





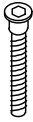

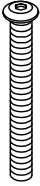



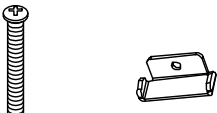




Important Note:

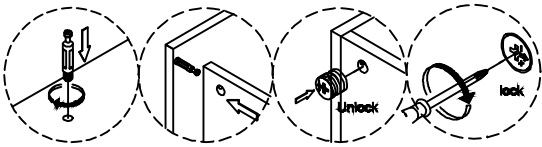
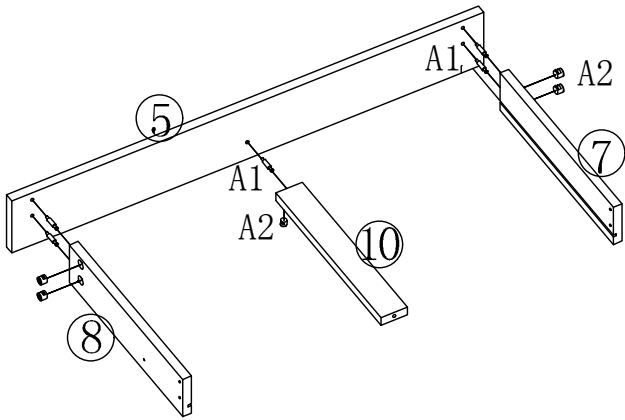
- *Place all parts on a clean and smooth surface such as a rug or carpet to avoid the parts from being scratched.
- *Kindly follow the assembly instruction step by step.
- *Don't tighten all screws until the table is fully set-up.



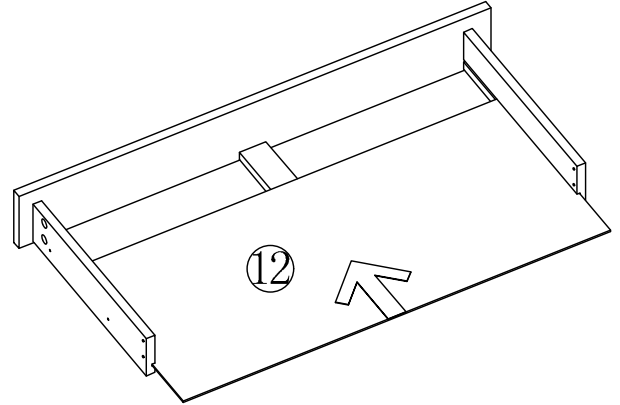
<p>⑭ x1</p> 	<p>⑮ x1 (SET)</p>  <p>(Left) (Right)</p>	<p>⑯ x2</p> 	<p>⑰ x1</p> 
<p>⑱ x2</p> 	<p>⑲ x4</p> 	<p>⑳ x1</p> 	

<p>A x15</p>  <p>A1 A2</p> <p>φ 6*38mm φ 15*11mm</p>	<p>B x12</p>  <p>φ 8*40mm</p>	<p>C x8</p>  <p>ST3.5*14mm</p>	<p>D x11</p>  <p>ST4*35mm</p>
<p>E x4</p>  <p>M6*40mm</p> <p>E1</p>  <p>E2 E3</p>	<p>F x2</p>  <p>(Rubber washer) M8*16mm</p> <p>F1 F2</p>  <p>F3</p>	<p>G x6</p>  <p>M6.3*50mm</p>	<p>H x2 (SET) 350mm</p> 
<p>I x2</p>  <p>M6*65mm</p>	<p>J x4</p>  <p>M6*40mm</p> <p>J1 J2</p>	<p>K x4</p>  <p>M6*15mm</p>	<p>L x6</p>  <p>M6*12mm</p>
<p>M x2</p>  <p>M1 M2</p> <p>M5*30mm</p>	<p>N x4</p>  <p>N1 N2</p>  <p>N3 N4</p>		

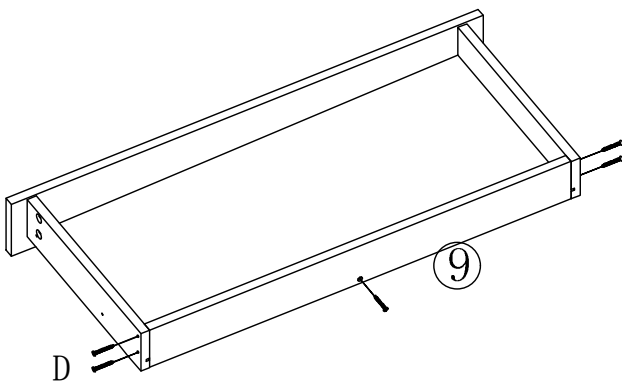
1 Install the drawer.



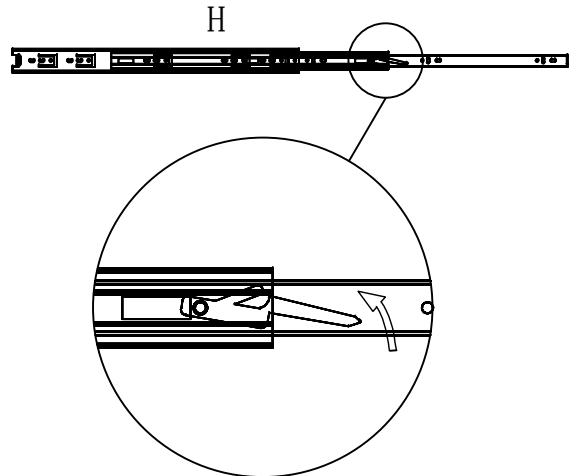
2 Install the drawer.



3 Install the drawer.



4 Split component H.

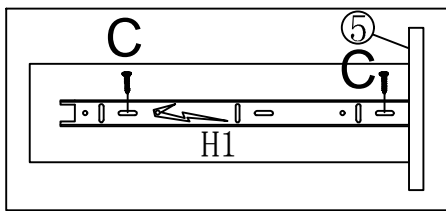
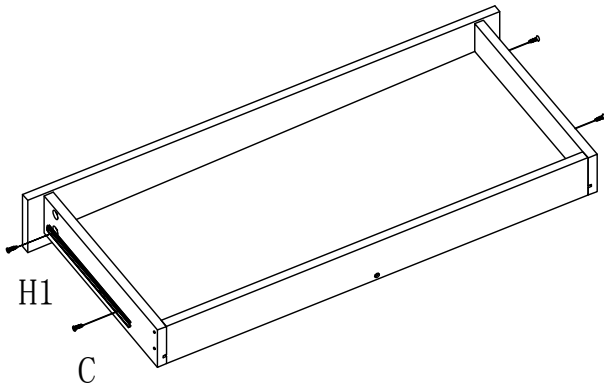


Taking the inner fixing rail off,
please press dismounting rod.



5

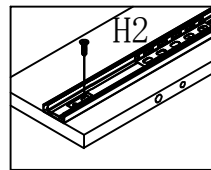
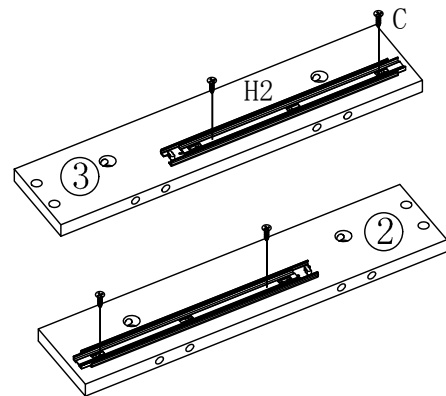
Install the drawer.



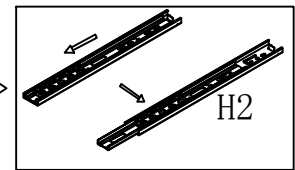
6

Install the drawer.

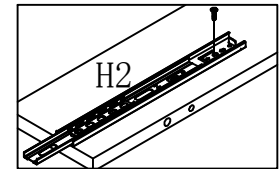
* Please pay attention to the left and right.



The smaller end of H2 is flush with the sheet metal, and an 'C' screw is screwed into the first hole.



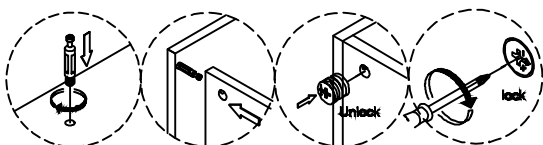
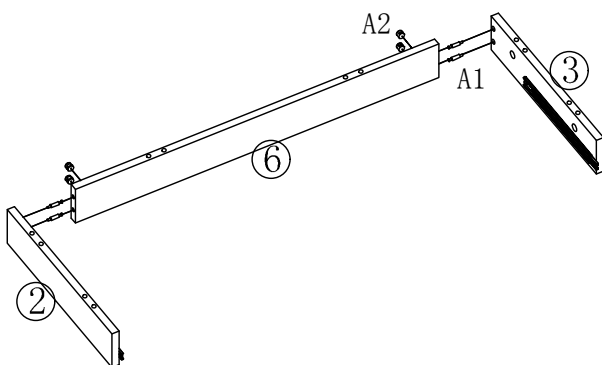
Slide out the track of H2



Align with the second hole and tighten the screw.

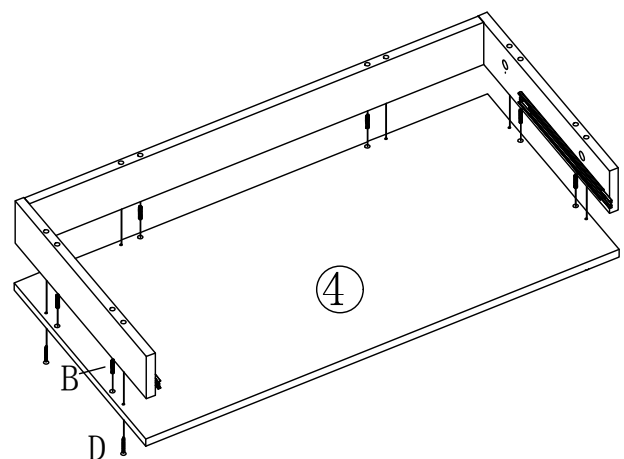
7

Install the drawer.

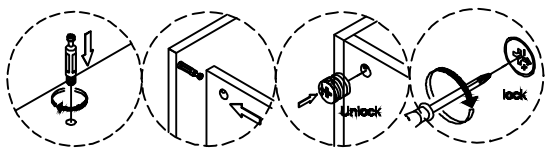
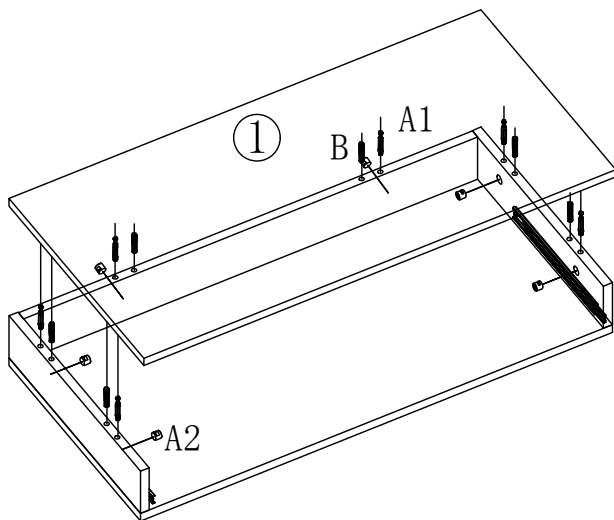


8

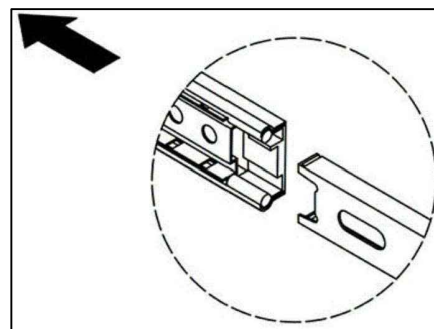
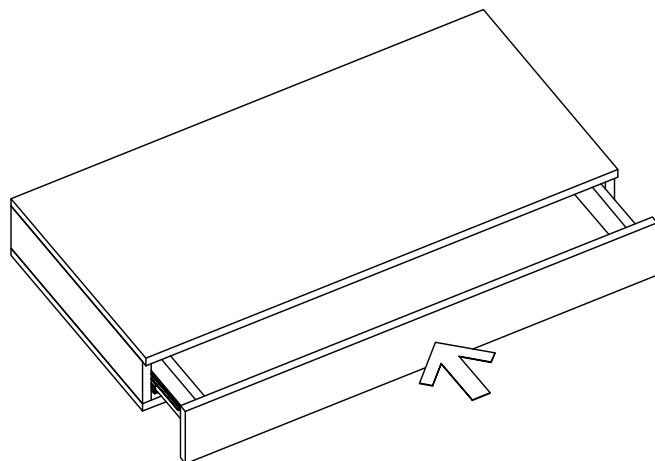
Install the drawer.



9 Install the drawer.



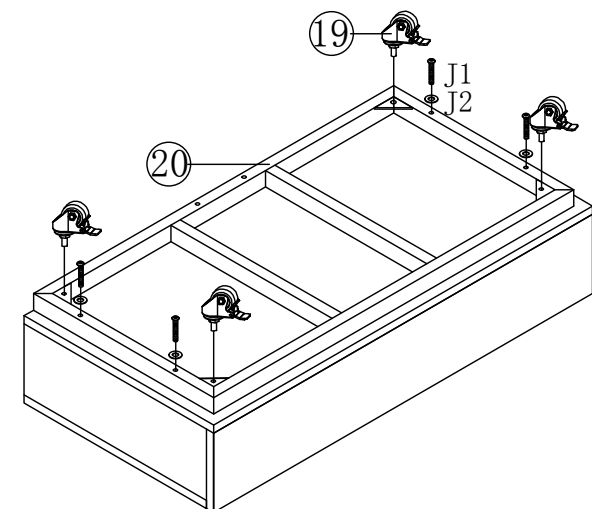
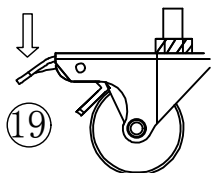
10 Install the drawer.



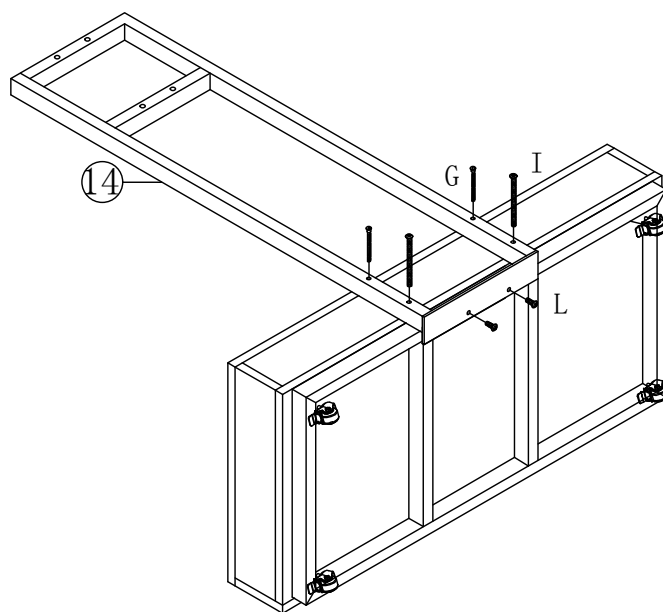
Align the outer track with the center of the inner track and push in.

11 Install the bottom bracket and the wheels

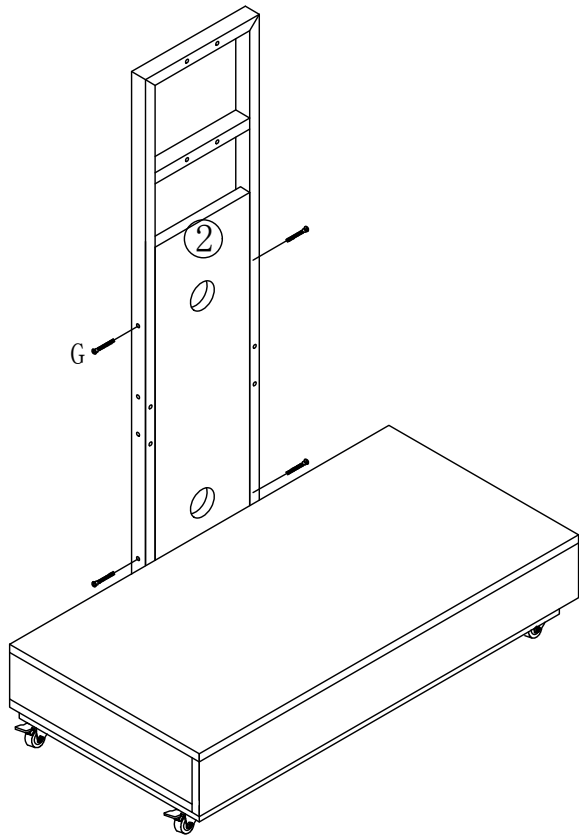
Apply the brakes before installing the wheels.



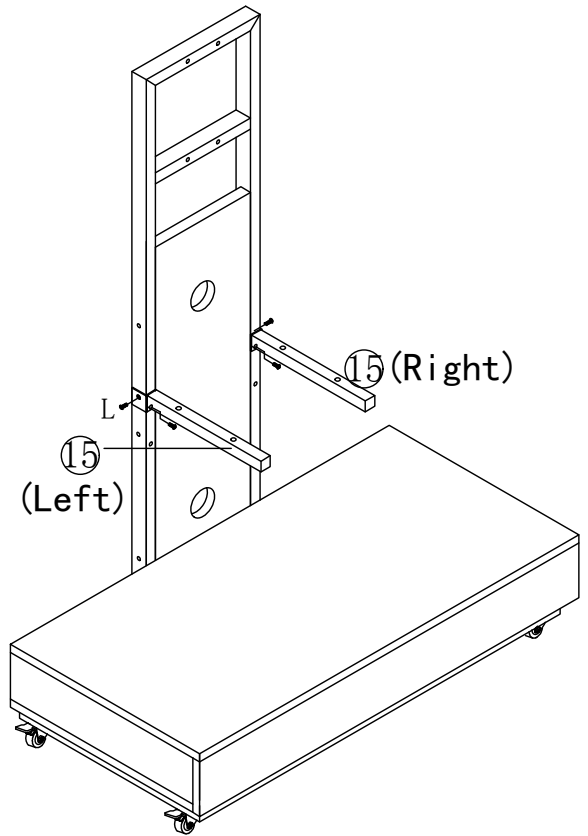
12 Assemble the lower frame and base.



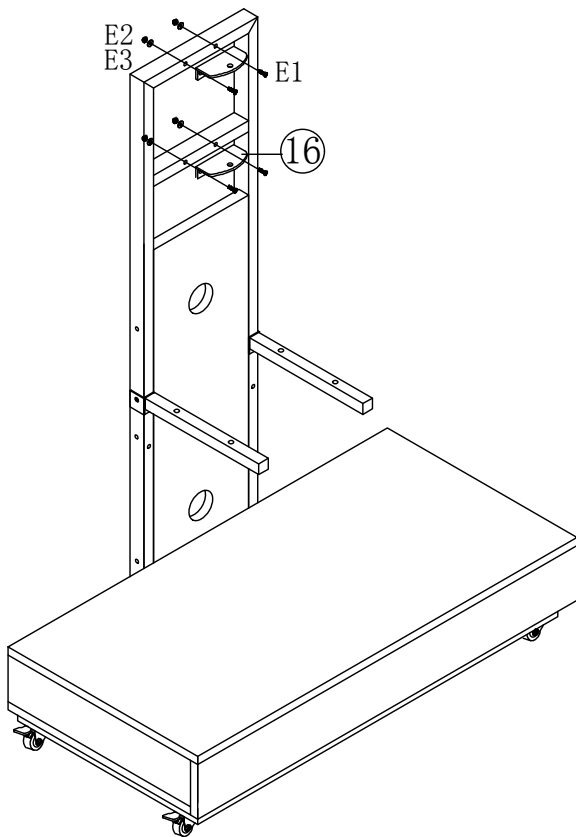
13 Install the front plate.



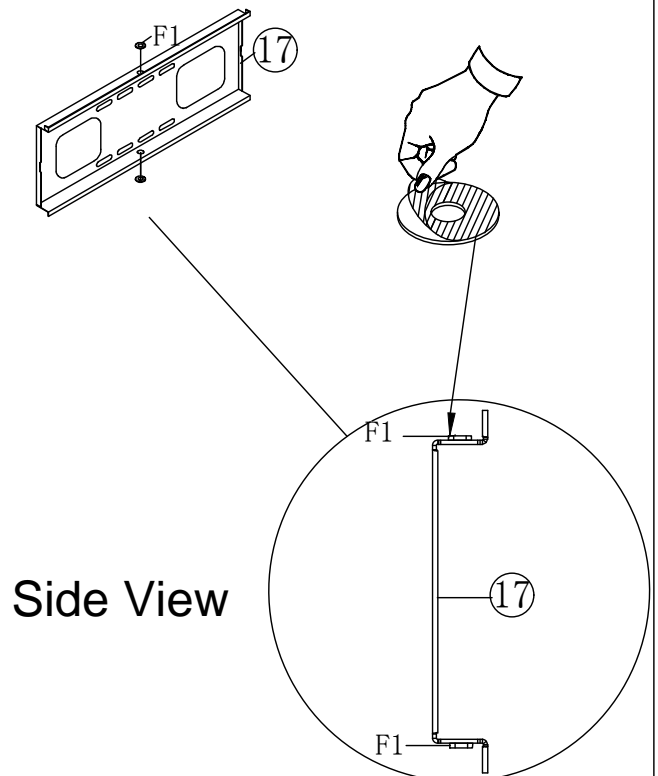
14 Position the shelf board and install the left and right shelf board brackets.



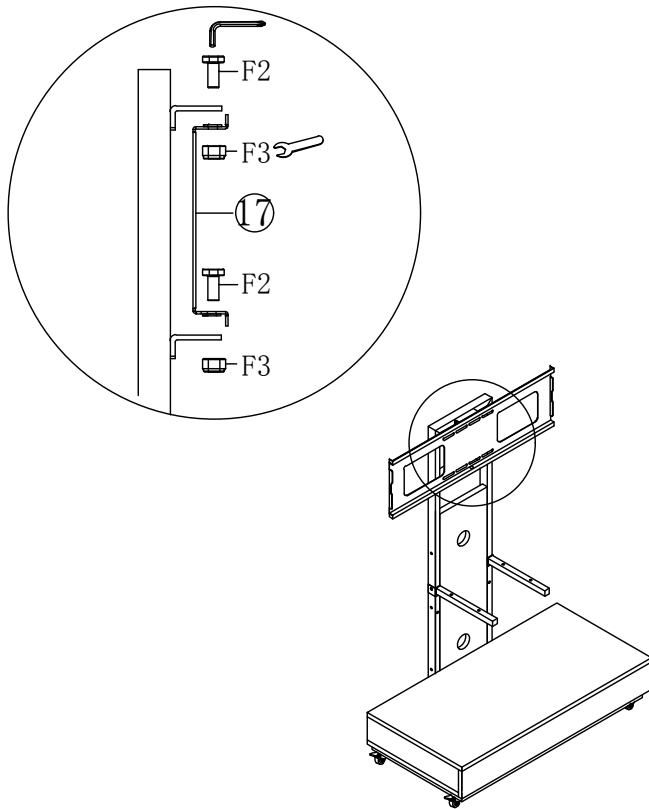
15 Install the bracket .



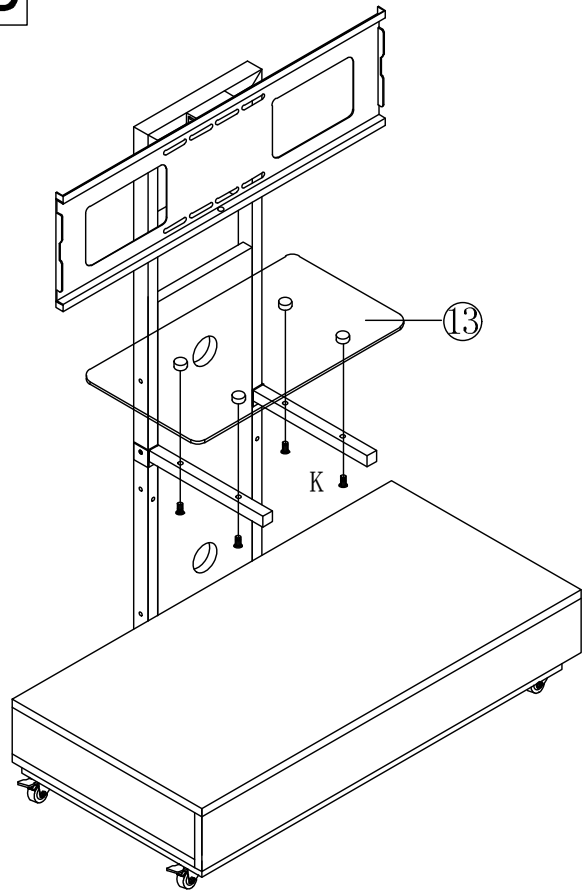
16 Install bracket.



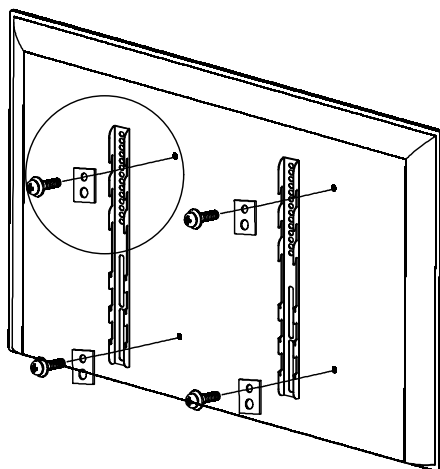
17 Install bracket.



18 Install the shelf board.



19 Hook the circular part of the attached bracket 18 to the bracket 17.
* Please be careful not to drop the TV.



20 Close the bolt on the lower side of the attached bracket 18 to secure the TV.

