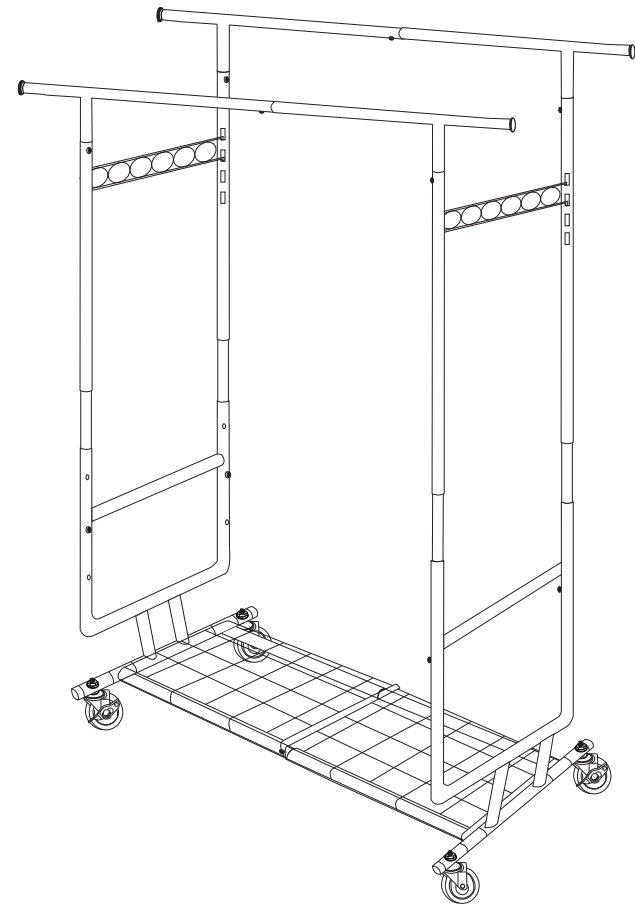



ASSEMBLY INSTRUCTION

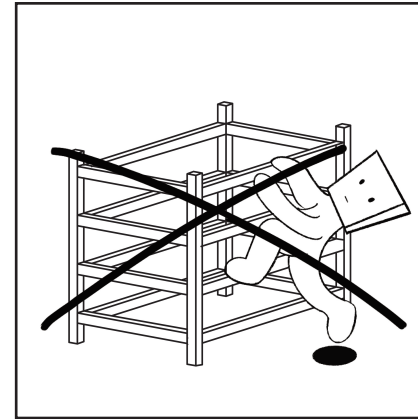


Disclaimer

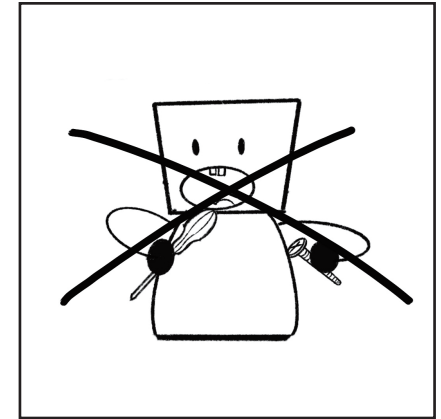
Use of this product constitutes acceptance of this disclaimer. Please read the following terms carefully:

- The product is guaranteed to be safe under normal use or foreseeable misuse.
- This furniture is designed for indoor household use only. Any improper modification, or use beyond the specified weight capacity (see product manual) shall void this disclaimer, and the manufacturer shall not be liable for any damage or injury arising therefrom.
- Regular wear and tear (e.g., fabric fading, minor hardware loosening) due to normal use is not considered a quality defect.
- The manufacturer shall not be responsible for damages caused by improper transportation, storage, or natural disasters (e.g., fire, earthquake).

 Children should use this product only with adult supervision.



DO NOT CLIMB OR HANG



DO NOT PLAY WITH OR SWALLOW SMALL PARTS

Weight Capacity:

–Do not place items exceeding the maximum weight capacity of the product. (For the product's weight capacity, please refer to the product link.)

Usage Scenarios and Maintenance Methods

- Do not place the product in a humid environment.
- Avoid direct exposure to high temperatures and keep it away from heat sources.
- Clean and maintain the product regularly.
- Place it on a flat surface. When moving is required, ensure that at least two people lift it together.
- Check the condition of screws regularly. If any screws are loose or fall off, reinforce them promptly.

Metal products

Preparation before Installation

–Please read the assembly instructions carefully Before installation and keep this manual for future reference. Check that all parts are complete, including hardware accessories, screws, plastic parts and other small components.

Ensure that **only adults** perform the installation, and keep children away from the installation area.



Notes

- Metal furniture is susceptible to moisture and rust. Avoid prolonged exposure to water, direct sunlight, or humid environments.
- Keep away from corrosive substances such as acids and alkalis to prevent damage to the surface coating.
- Regularly check for loose screws or connectors and tighten them promptly.
- **Child Safety:** Install appropriate corner protectors to avoid injuries from sharp edges. This product is not designed for children. Ensure adult supervision when children are present. Climbing by adults or children is prohibited. Do not use the product as a support for standing or elevated work.
- Secondary drilling is not recommended, as it may compromise structural integrity.
- **Replace the product if:** the base material shows extensive rust or deformation; connections remain loose after repeated repairs; or load-bearing capacity is significantly reduced.
- Use anti-tip devices strictly as instructed.
- Rotate placed items every 2–3 months to prevent prolonged single-point pressure.

- Do not exceed the maximum load capacity specified for the product.
- Climbing on the furniture is strictly prohibited.
- The upper the layer, the less suitable it is to place heavy objects. It is recommended that heavy objects be placed not beyond the lower vertical bar.



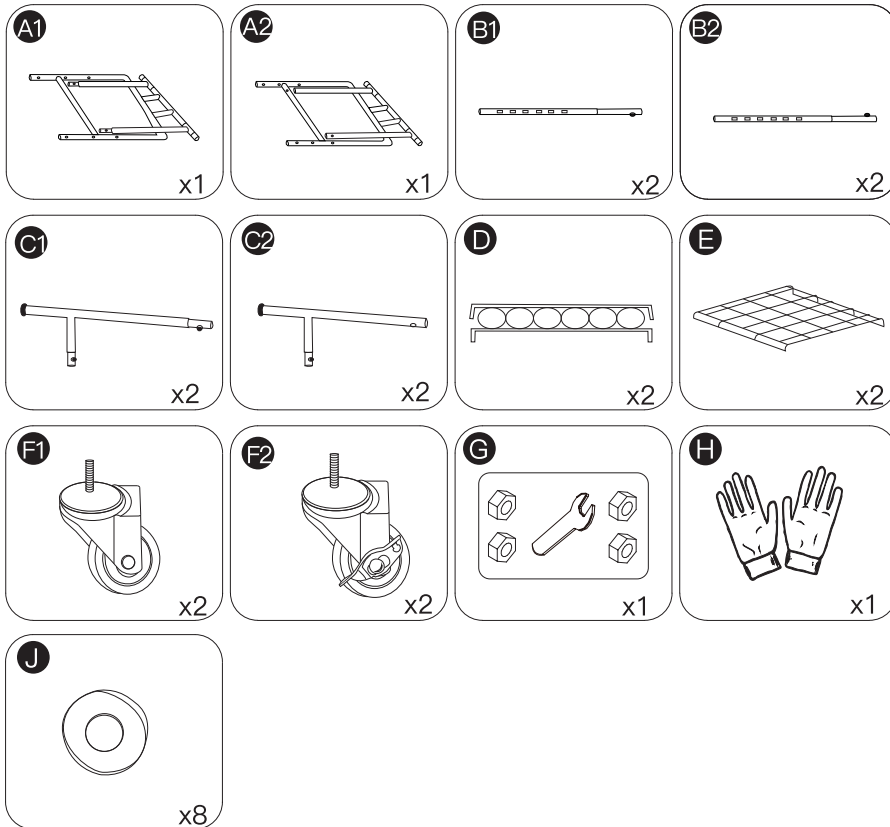
Maintenance Methods

- (1) **Surface Cleaning:** Wipe with a soft, dry or slightly damp cloth. Avoid abrasive tools such as steel wool, hard objects, rough scouring pads, or acidic cleaners to prevent scratching the surface coating.
- (2) **Rust Prevention:** Apply anti-rust oil or wax periodically, especially in humid environments.
- (3) **Coating Protection:** For painted or coated metal furniture, avoid strong acidic or alkaline cleaners to prevent peeling.
- (4) **Check Connections:** Inspect and tighten all connectors every 3 months using the provided wrench if loosening is detected.
- (5) **Wheeled Components:** Regularly remove entangled hair and fibers, and lubricate wheels to ensure smooth movement and prevent tipping hazards caused by jams.

Please check all parts and accessories according to the parts list before assembling, make sure all contents are sufficient and in good condition.

If there is any parts missing or defective, please contact us immediately with purchase platform message to get replacement parts.

PARTS:

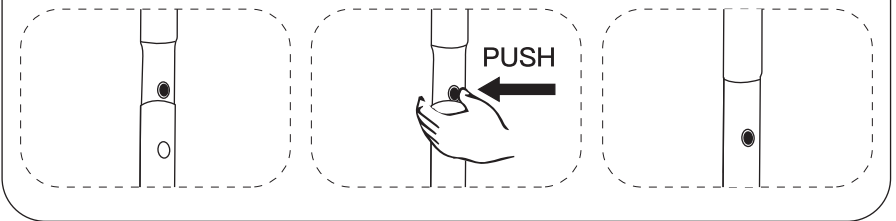


NOTICE:

1. **DO NOT** fully tighten screws until fully assembled.
2. To prevent you from getting hurt during installation, we recommend that you wear gloves before installation.
3. Please **DO NOT** load more than the maximum weight described on the product page.

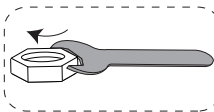
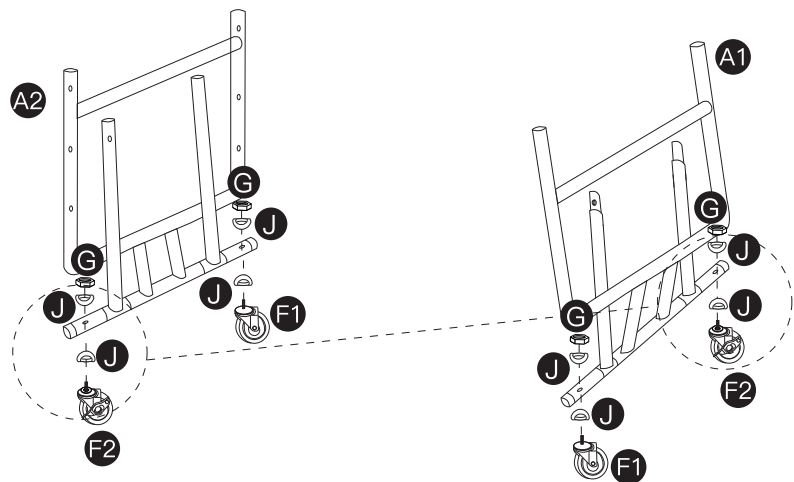
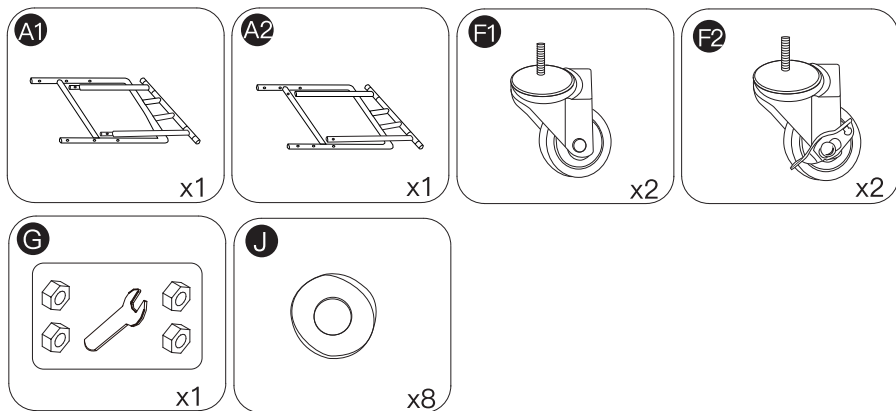
REMARK:

How to use the spring fasteners:



HOW TO INSTALL

STEP 1



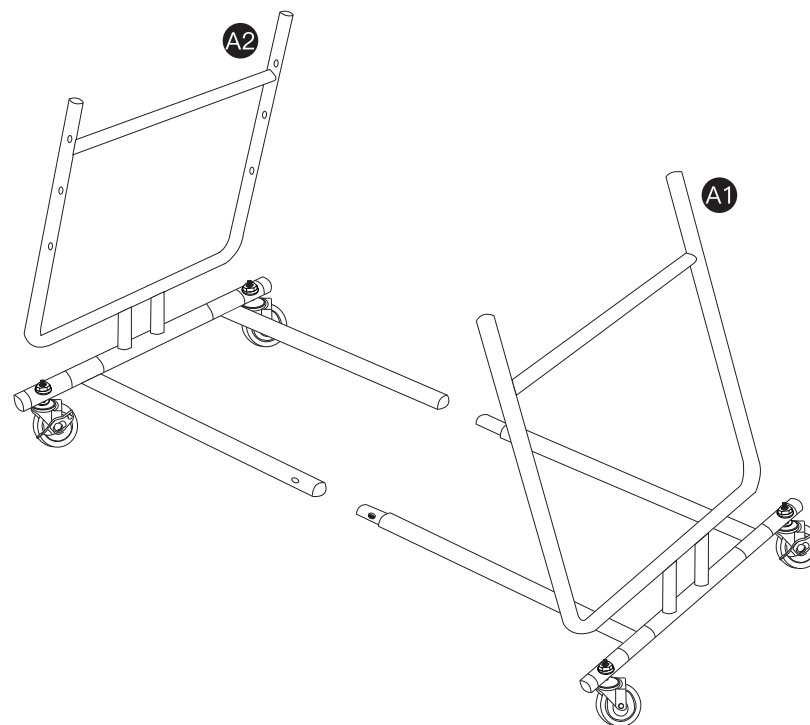
NOTICE:

Make sure that the screws on part (F1 & F2) are tightened. For better stability, please install part (F2) diagonally.

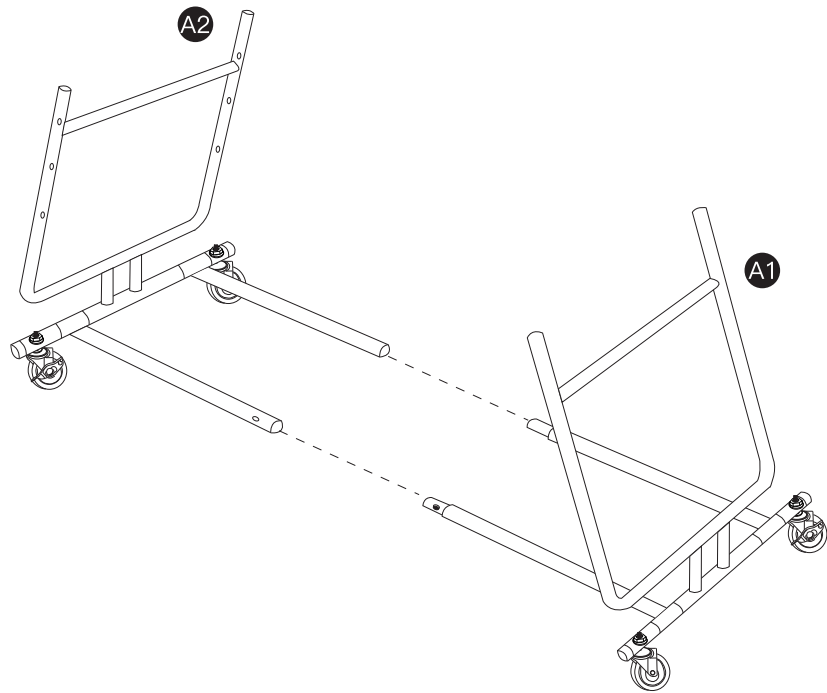
STEP 2

NOTICE:

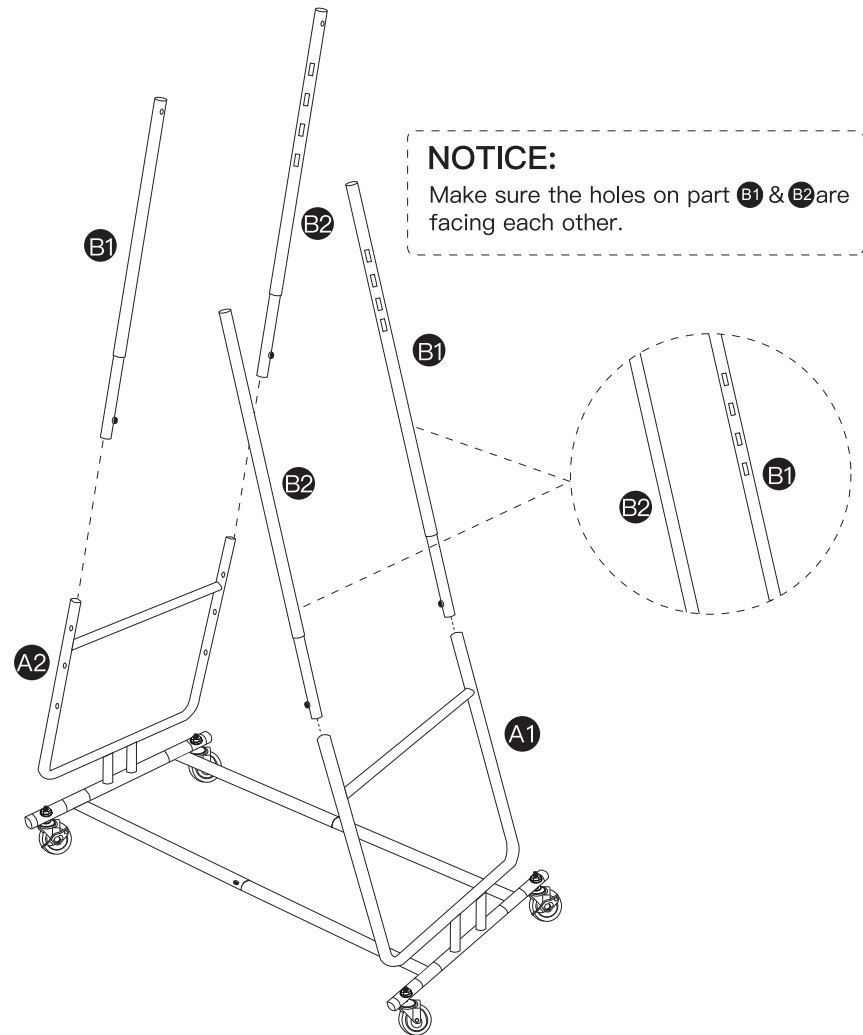
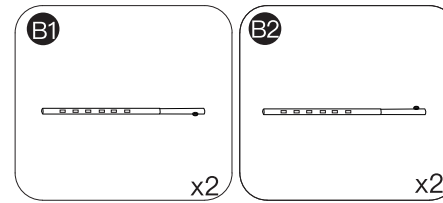
After locked, the part (A1 & A2) may be not vertical, which is normal. After installing all parts, they will be vertical.



STEP 3

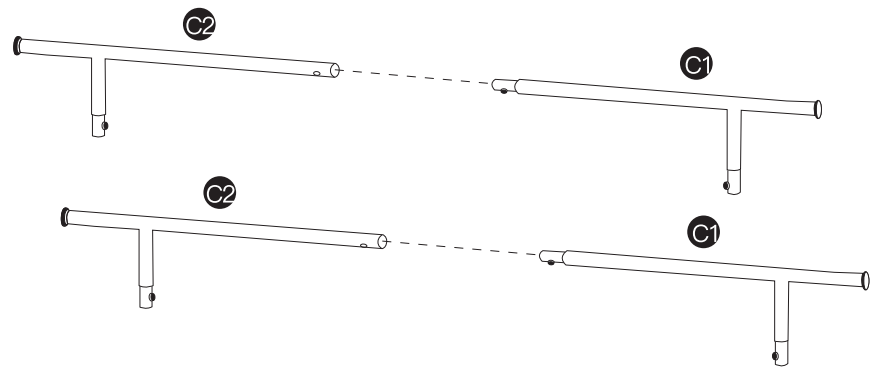
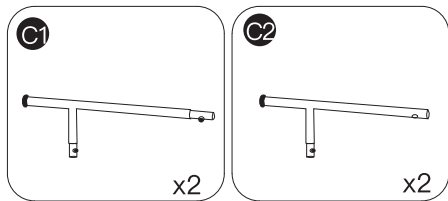


STEP 4

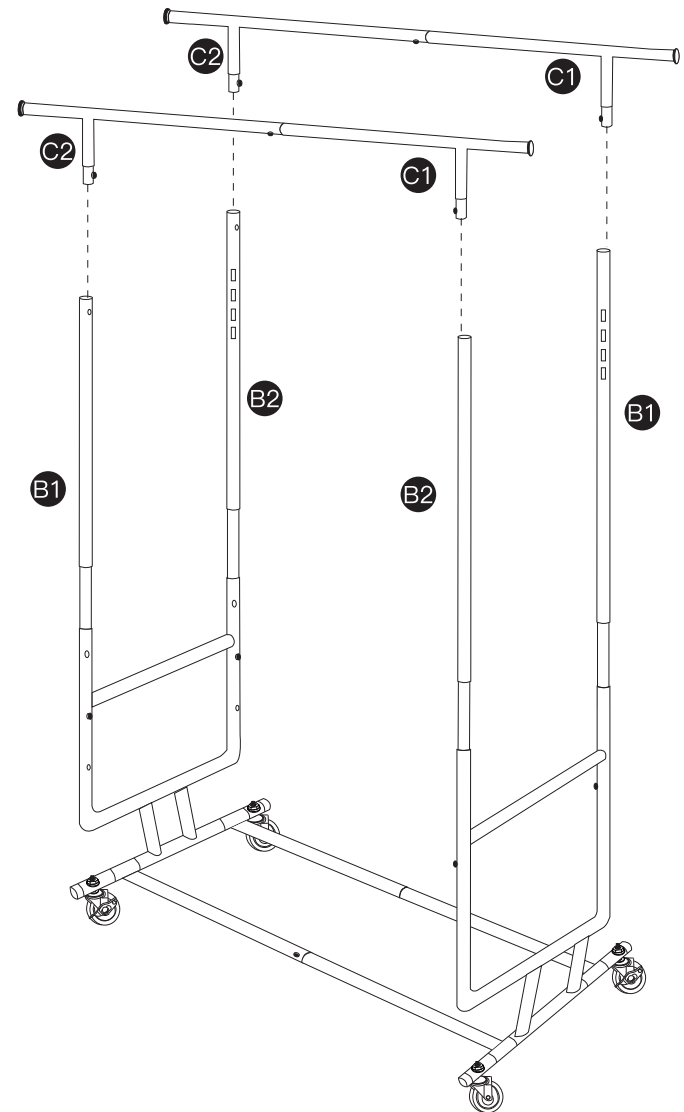


NOTICE:
Make sure the holes on part B1 & B2 are facing each other.

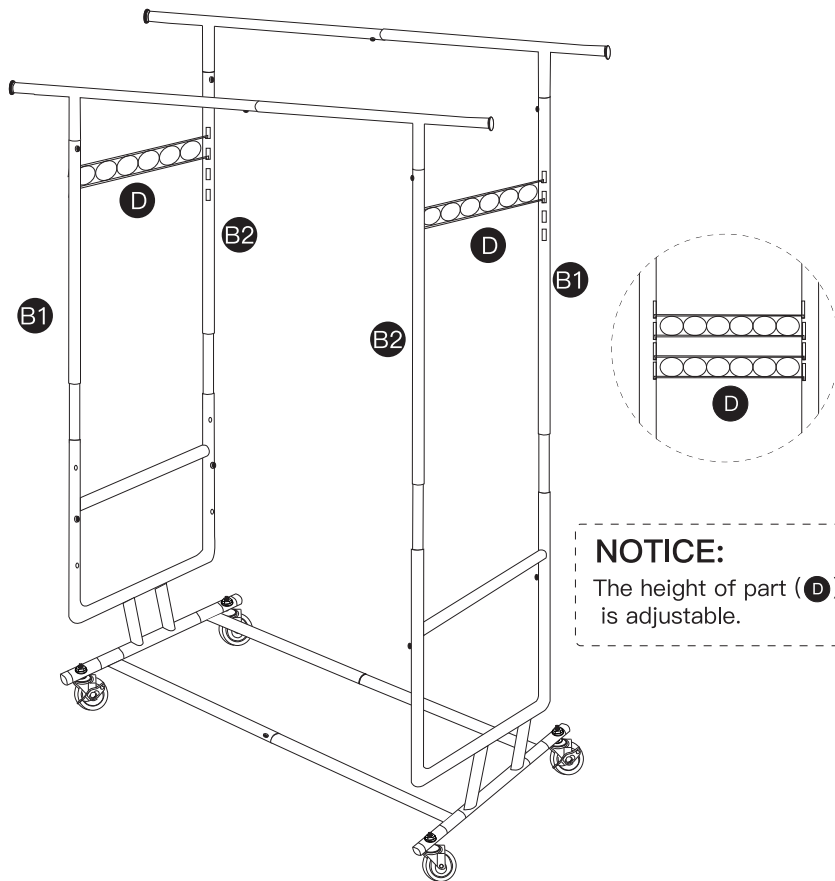
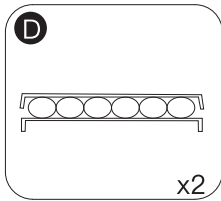
STEP 5



STEP 6

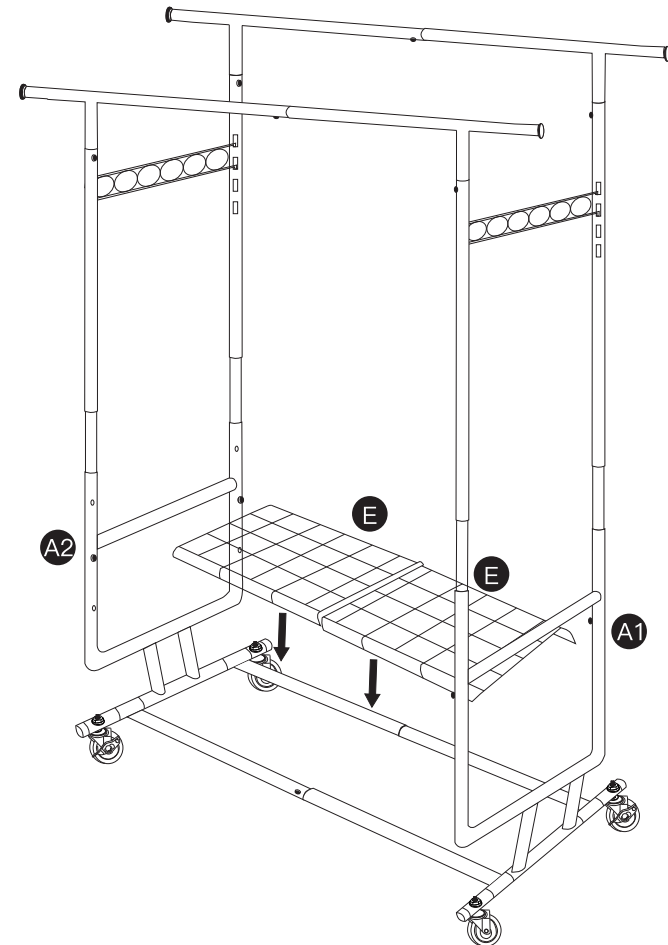
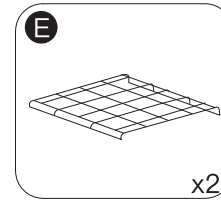


STEP 7



NOTICE:
The height of part (D)
is adjustable.

STEP 8



Wheel Category

Instructions for Use

–Deodorization: It is normal for wheels to have a rubber smell, so there is no need to be nervous. Just place the wheels in a well-ventilated area to let the smell dissipate before installation.

–Usage Method: Install them at the bottom of compatible products, ensuring that the wheels can rotate flexibly, the braking function (if any) works properly, and push at a constant and stable speed. Avoid driving quickly on uneven ground to reduce wheel wear.



Notes

- Ensure the integrity of accessories: Prevent collisions and falls that may cause wheel deformation and bearing damage, as well as hard objects from scratching the wheel surface.
- **Load-bearing limit:** Strictly use within the rated load to avoid wheel damage and product tilting due to overloading.
- **Ground protection:** Avoid long-term use on sharp, uneven ground to prevent wheel surface wear and jamming.
- **Brake usage:** For wheels with a braking function, please brake and fix them in time when the product is not in use to prevent the product from sliding.
- For the safety of you and your family, it is recommended to install the **Anti-Tip Device Kit**.



Maintenance Methods

Cleaning method: Wipe the dust and debris on the wheel surface with a damp cloth, and clean the bearing parts with a dry soft brush. Regularly check the wear of the wheels, whether the bearings rotate smoothly, and whether the brakes are sensitive, and replace severely worn wheels in time.

After-sales Service

Dear customer,

We're excited that you've chosen our product to be a part of your home. We care deeply about your experience and want to make sure you have all the help you need.

If you have any questions while assembling your new product, don't hesitate to contact our dedicated customer support team through the original purchase platform.

Creating your ideal space is important, and we're committed to helping you every step of the way.

Thank you for choosing us, where comfort and style meet practicality.

Sincerely,
Customer Service Manager