

Important information to read
before starting the assembly.
Keep this information for future reference.



IMPORTANT WARNINGS

Risk of serious injuries if the wall bed tips over.

To prevent wall bed from tipping over, mount it permanently to the wall.

Only a qualified person* must carry out the installation and any possible adjustment of the wall bed (including disassembly). If the wall bed is not firmly mounted (anchored) to the wall, it might tip over and cause serious injuries to the installer, users of the bed as well as the people near the bed.

The choice of wall anchoring depends on the type of wall. Use wall anchors suitable for the wall material.

* **Qualified person:** it is necessary to have a good understanding of the wall structure where the bed is anchored, including the positioning of the wall studs and structural components in the case of a wood or metal structure. **If you do not have the necessary skills**, make sure that the installation is done by someone who has the qualifications and required knowledge. When you choose the installer, make sure to comply with all applicable regulations in the province, state or country where the furniture is installed.

Every time the bed is used, the owner should make sure that the anchors are strong and show no signs of weakening (for example if you feel that the anchor screws are moving when pulling on the cabinet of the bed). Do not use the wall bed if the cabinet moves and do not open the bed if you are not sure that it is firmly attached to the wall, because it could tip over causing serious injuries. When in doubt about the anchoring, please stop using the bed immediately and have it inspected by a professional* or contact us

The company is released from any responsibility and will void the warranty if the installation or the anchoring is not done according to the recommendations included in this instruction manual. We and its distributors (and their respective officers, directors, agents and servants) shall not be liable or obligated in any manner for any direct, punitive, exemplary, special, indirect, incidental or consequential damages of any kind, regardless of the form of action, whether in contract, tort, negligence, strict product liability or otherwise, arising out of or in connection with improper anchoring of the bed or non-compliance to the anchoring procedure of this document.



IMPORTANT WARNINGS

BEFORE STARTING ASSEMBLY

Be sure to confirm the following information:

1. **The installer has the qualifications * and required knowledge.**
2. **Only wall anchor screws for wood-frame walls are provided with this bed.** See anchor requirements and installation notes provided in the instruction manual, according to the type of wall, and use the appropriate anchors such as described in this manual.
3. Your bed can hold a maximum distributed weight of 1000 lb (455 kg), including the weight of the mattress.
4. Maximum thickness of mattress: 12 in (30.5 cm), and must stand in vertical position without sagging.
5. The bed will not stay open without the weight of the mattress which must be between: 60 lb (27 kg) and 90 lb (41 kg).
6. Minimum ceiling height requirements for installation: 91.5 in (2.32 m).
7. It is recommended to assess the structural integrity of the floor and wall and to make sure that the wall anchoring devices can withstand the forces generated. More specifically, before installing the wall bed, it is necessary to verify that the floor and the wall on which you want to install the bed are flat and have no structural damage that could affect the installation of the wall bed or its anchoring to the wall. Do not install the bed on weakened or rotten structures.
8. It is necessary to ensure that wall anchors of the bed can withstand forces generated. The value of the holding power (Fh) of each anchor should be 630 Newtons (142 lbf).

If the wall bed is not installed properly, the latter might close unexpectedly or could open involuntarily. In addition, if the wall bed is installed incorrectly, one of its structural components may break and fall off.

DEATH or SERIOUS INJURY can occur.

- This product is not designed for children under 6 years old and/or under 50 pounds (22.7 kg).
- Failure to follow these warnings may result in entrapment or suffocation.
- Only use mattress between 60 and 90 lbs (27.3 and 40.9 kg).

Warranty Information

Should you need more information concerning the warranty, do not call to the place of purchase. Please call our customer service department for immediate assistance using the toll free number below. Please have your assembly instruction manual on hand when you call.

Our products are warranted to the original purchaser against defects in material or workmanship in the furniture. Defects as mentioned in this warranty refer to any imperfections which may impair the use of the product. Our warranty is expressly limited to the replacement of furniture parts and components for the time specified in the product description and following the date of purchase. We will replace any part that is defective. This warranty applies under conditions of normal use.

Our furniture products are not intended for outdoor use, except those in the Outdoor Collection. The warranty does not cover labor or assembly costs or defects caused by improper assembly or disassembly, after-purchase product modifications, intentional damage, accidents, or exposure to the elements. We reserve the right to request a proof of purchase to document a warranty claim. In no event shall we be liable for incidental or consequent damages resulting from the misuse of the product.

This warranty is not transferable and is valid only in Canada and the United States excluding Alaska, Hawaii and Puerto Rico.

Customer Service

If there are parts missing from your order or if your product was damaged during shipping,
PLEASE CONTACT US DIRECTLY.



Activate your Warranty

Activate your warranty now:



Information required to make a warranty claim



A copy of your receipt.



Pictures of the damaged parts.



You must know the name of the product, the item number and the name of the store where the item was purchased.



Please collect this information **BEFORE** contacting our customer service.

Maintenance Tips



**Never leave damp clothes, liquids or damp cloths on the furniture.
If a liquid has spilled on the furniture, clean the liquid up immediately.**



**Clean the furniture with a damp cloth, then wipe dry.
To avoid damaging the finish, do not use cleaning products on the furniture.**



**Do not put devices with plastic or rubber pads directly on your furniture.
Instead, attach cloth or felt pads to your device.**



To avoid dulling the finish, do not place furniture in direct sunlight.

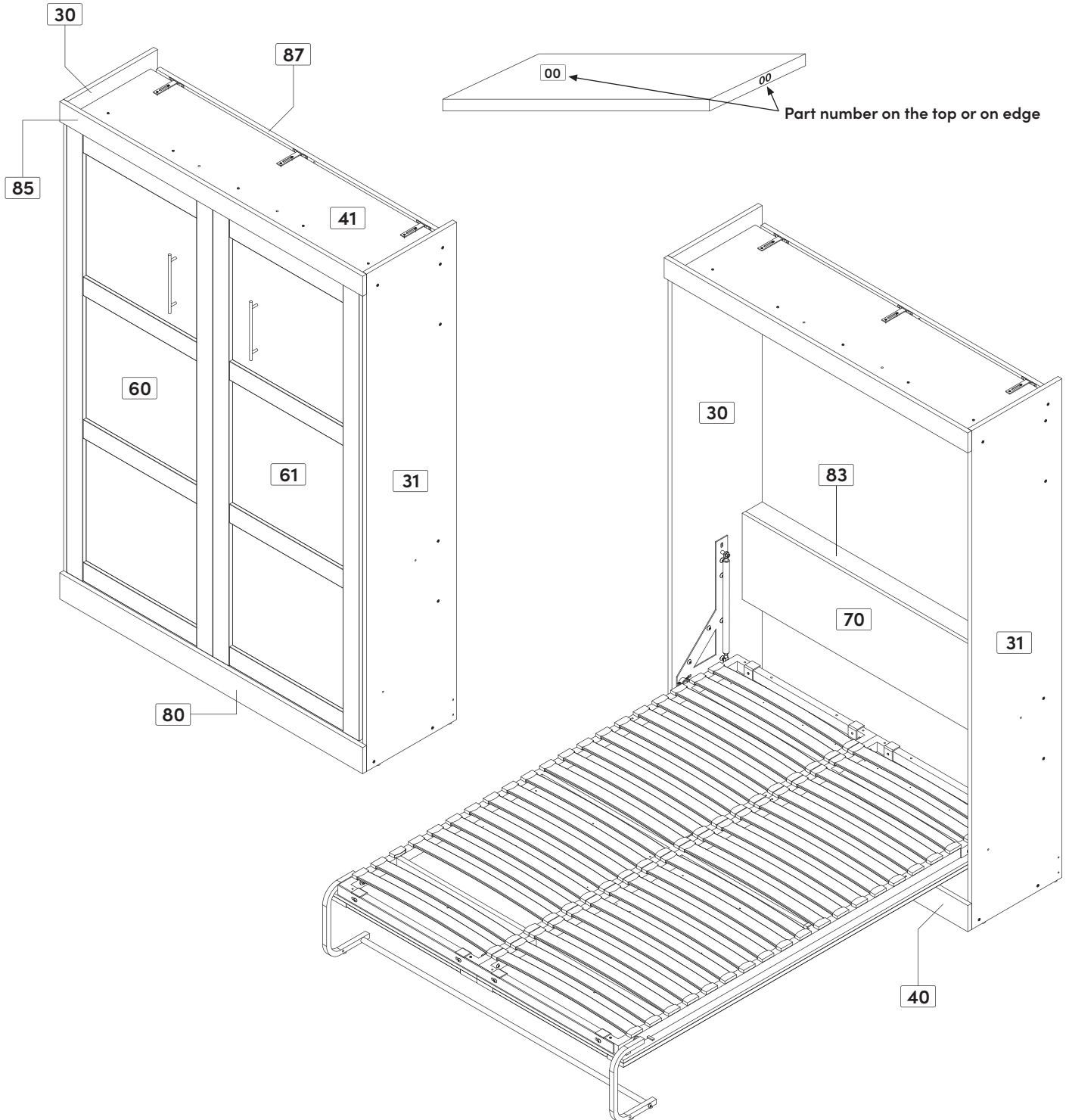
We take pride in manufacturing stylish and functional furniture for your home and workspace. We go beyond manufacturing furniture: we offer solutions to optimize and customize your home and workspace. That's why customer satisfaction is our number one priority!



Parts & Hardwares

Parts

Code	Qty	Code	Qty	Code	Qty	Code	Qty
30	1	41	1	70	2	83	1
31	1	60	1	80	1	85	1
40	1	61	1	81	1	87	1



Parts & Hardwares

Hardwares in box 1

Code	Qty	Code	Qty	Code	Qty	Code	Qty
BT-1048	1	H-03	8	PA-844	4	RO-994	4
CA-100	16	H-36	8	PO-959	2	LEG WARNING STICKER	1
GO-796	21	KI-932-H	20				

Hardwares in box 3

Code	Qty	Code	Qty	Code	Qty	Code	Qty
EQ-1035	3	KI-985-A	1	KI-985-H	1	KI-985-N	8
H206514	1	KI-985-B	1	KI-985-I	1	KI-985-O	3
H206515	1	KI-985-C	1	KI-985-J	2	KI-985-P	2
H206517	4	KI-985-D	1	KI-985-K	18	KI-985-Q	1
H206518	2	KI-985-E	2	KI-985-L	4	KI-985-R	4
H206028	1	KI-985-F	2	KI-985-M	12	KI-985-S	8
H206029	1	KI-985-G	1				

Important information to read before starting the assembly.
Keep this information for future reference.

IMPORTANT WARNINGS

Risk of serious injuries if the wall bed tips over.
To prevent wall bed from tipping over, install it permanently to the wall.
Only a qualified person must carry out the installation and any possible adjustment of the wall bed (including disassembly). If the wall bed is not firmly anchored (anchored) to the wall, it might tip over and cause serious injuries to the installer, users of the bed as well as the people near the bed.
The choice of wall anchoring depends on the type of wall. Use wall anchors suitable for the wall material.

*Qualified person: It is necessary to have a good understanding of the wall structure where the bed is anchored, including the positioning of the wall studs and structural components in the case of wood or metal structure. If you do not have the necessary skills, make sure that the installation is done by someone who has the qualifications and required knowledge. When you choose the installer, make sure to comply with all applicable regulations in the province, state or country where the furniture is installed.

Every time the bed is used, the owner should make sure that the anchors are strong and show no signs of weakening (for example if you feel that the anchor screws are moving when pulling on the cabinet of the bed). Do not use the wall bed if the cabinet moves and do not open the bed if you are not sure that it is firmly attached to the wall, because it could tip over causing serious injuries. When in doubt about the anchoring, please stop using the bed immediately and have it inspected by a professional or contractor.

The company is released from any responsibility and will void the warranty if the installation or the anchoring is not done according to the recommendations include in this instruction manual. We and its distributors (and their respective officers, directors, agents and servants) shall not be liable or obligated in any manner for any direct, punitive, exemplary, special, indirect, incidental or consequential damages of any kind, regardless of the form of action, whether in contract, tort, negligence, strict product liability or otherwise, arising out of or in connection with improper anchoring of the bed or non-compliance to the anchoring procedure of this document.

To better serve you!
Pour mieux vous servir!

Model / Modèle: _____

Production Number
Numéro de production: _____

For future reference and to allow us to serve you better, please complete the self-adhesive sticker and apply it in an accessible space such as the back of part 60.

PRODUCTION 0000

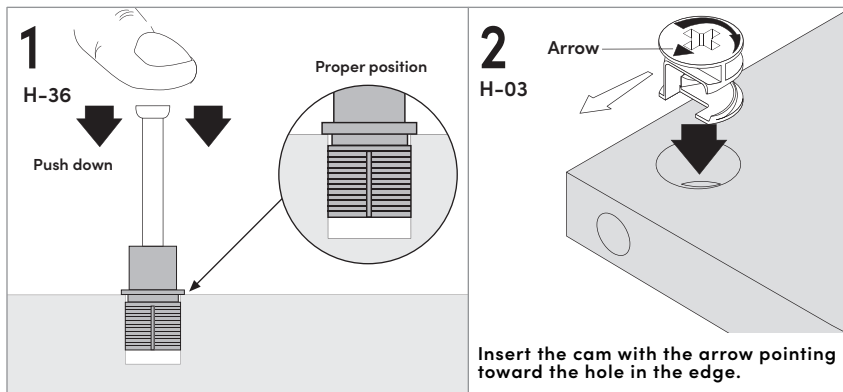
Parts & Hardwares

Real Size

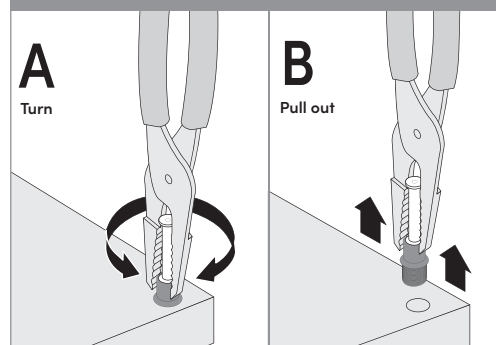
Code	Qty	Code	Qty
H206517	4	VC-204	16
H206518	2	VF-232	4
KI-932-I	20	VR-213	5
KI-985-L	4	VR-215	12
KI-985-M	12	3500-400350	36
KI-985-N	8		
KI-985-O	3		
VR-1125	6		

Important Notice

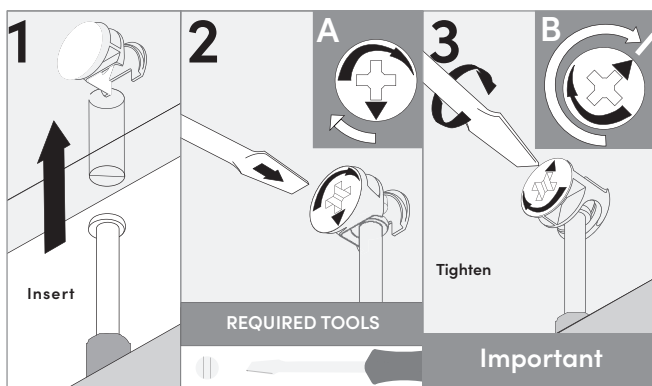
Main hardware system. Installation steps.



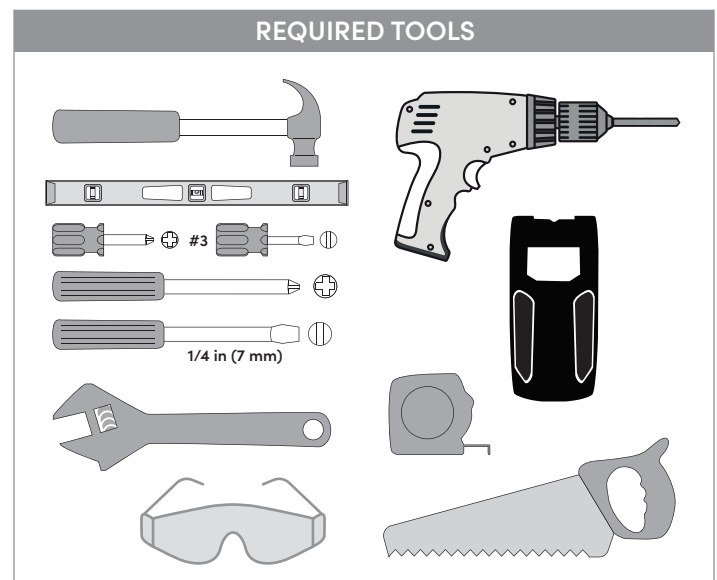
How to remove a misplaced assembly bolt (H-36).



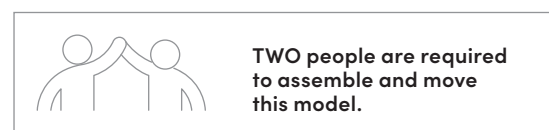
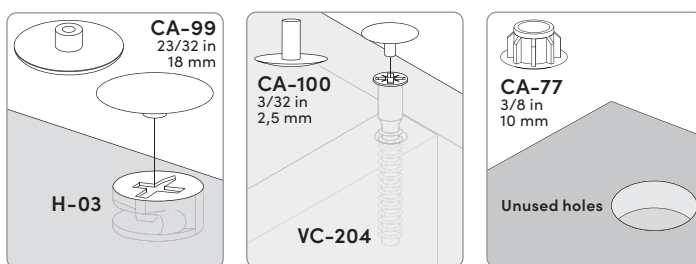
Main hardware system. Assembly steps.



Make sure to properly tighten each cam to ensure furniture solidity. Otherwise, parts could be damaged or the user could be injured.



When you have completed the assembly of your new furniture, install plastic caps



When you have completed the assembly of your new furniture, install self-adhesive caps on unused holes.



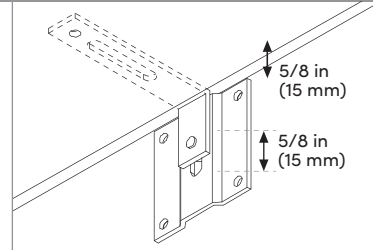
1 Hardware installation & assembly

Murphy bed

Code	EQ-1035	GO-796	H-03	KI-932-H	KI-932-I
Qty	x 3	x 4	x 4	x 12	x 12

IMPORTANT

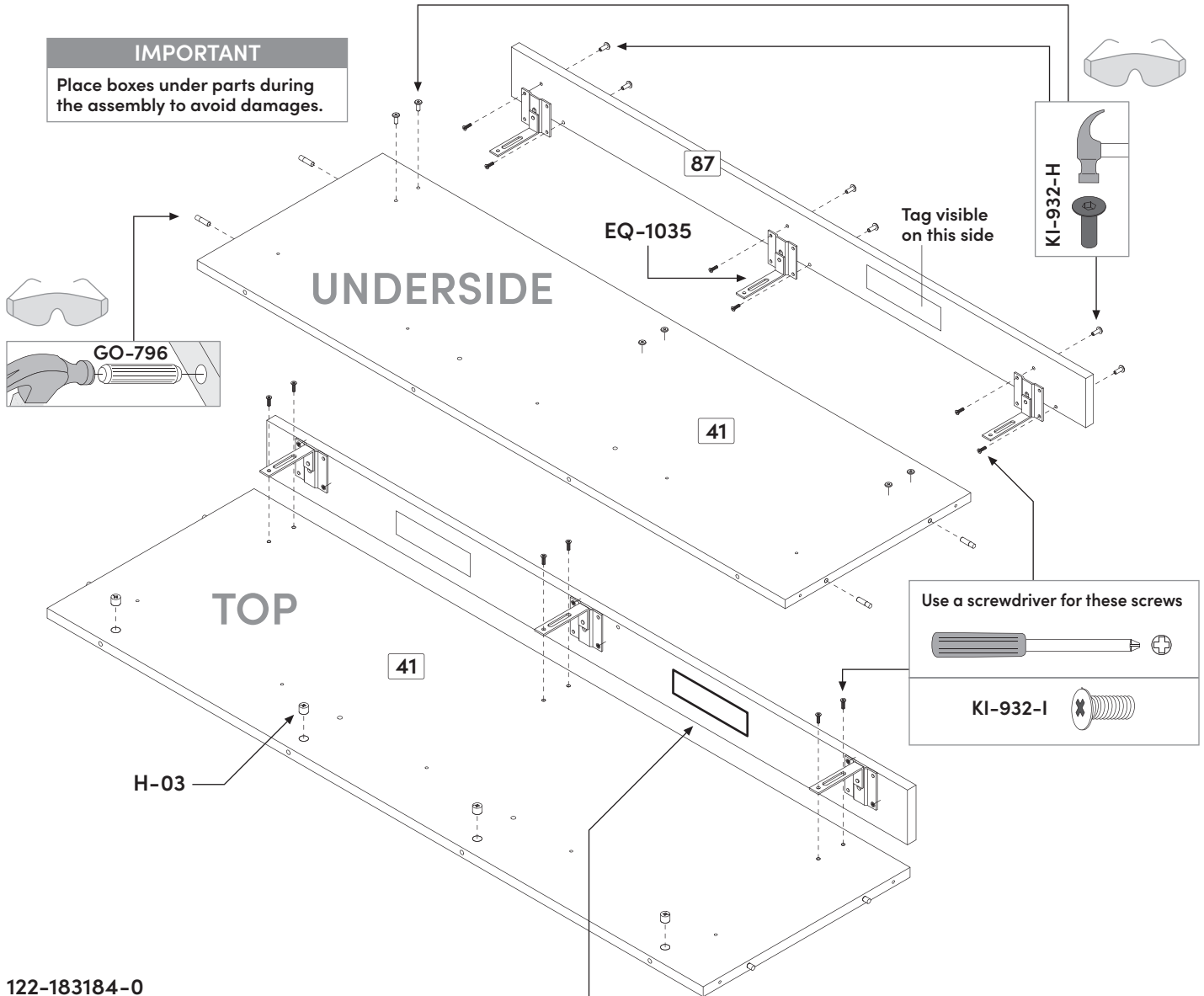
The EQ-1035 bracket is designed to allow the bed structure to adjust up to 5/8 in. (15 mm) for the compaction of a carpet for example. (See the wall anchoring step)



Sequence

41 EQ-1035 87

IMPORTANT
Place boxes under parts during the assembly to avoid damages.



122-183184-0

WARNING

DEATH or SERIOUS INJURY can occur

- Will bed to be installed by a professional or qualified person ONLY
- Will bed MUST be securely attached to wall structure
- ONLY attach directly to wood or metal studs or masonry wall structure
- NEVER attach wall bed directly to drywall/sheetrock/gypsum panel
- NEVER use hollow wall anchors
- Check that screws are tight and fully screwed into the wall studs
- Screws must not be loose or turn freely when the wall bed is fully installed
- Failure to follow these steps may result in product tipover or collapse resulting in crushing injury

AVERTISSEMENT

Peut entraîner la MORT ou des BLESSURES GRAVES

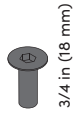
- Le lit escamotable doit être installé par un professionnel ou une personne qualifiée SEULEMENT
- Le lit DOT être fixé solidement au mur
- Fixez directement aux montants de bois ou de métal ou à la structure du mur en respectant l'ÉTAPEMENT
- Ne fixez JAMAIS le lit escamotable directement dans les cloisons sèche-plâtre, les panneaux de plâtre
- N'utilisez JAMAIS de chevilles pour cloison sèche
- Assurez-vous que les vis soient serrées et bien vissées dans les montants du mur
- Les vis de ne doivent pas être desserrées ou bouger librement une fois le lit installé
- Le non-respect de ces étapes pourrait entraîner le renversement ou la chute du produit et entraîner des blessures par écrasement

ADVERTENCIA

Puede causar LESIONES GRAVES o la MUERTE

- La cama abatible debe ser instalada SOLO por un profesional o persona cualificada
- La cama abatible DEBE ser asegurada firmemente a la estructura de la pared
- Asegure DIRECTAMENTE a las vigas de madera, metal o concreto de la estructura de la pared
- NUNCA asegure la cama abatible a las paredes o placas de yeso o tablaroca
- NUNCA use troques o anclajes para "pared hueca"
- Asegúrese de que los tornillos estén completamente insertados y seguros en las vigas de la pared
- Los tornillos no deben estar sueltos ni deben poder moverse una vez que la cama abatible haya sido instalada
- Si no sigue estas instrucciones, el producto puede volcarse o colapsar, resultando en lesiones por aplastamiento

2 Hardware installation Murphy bed

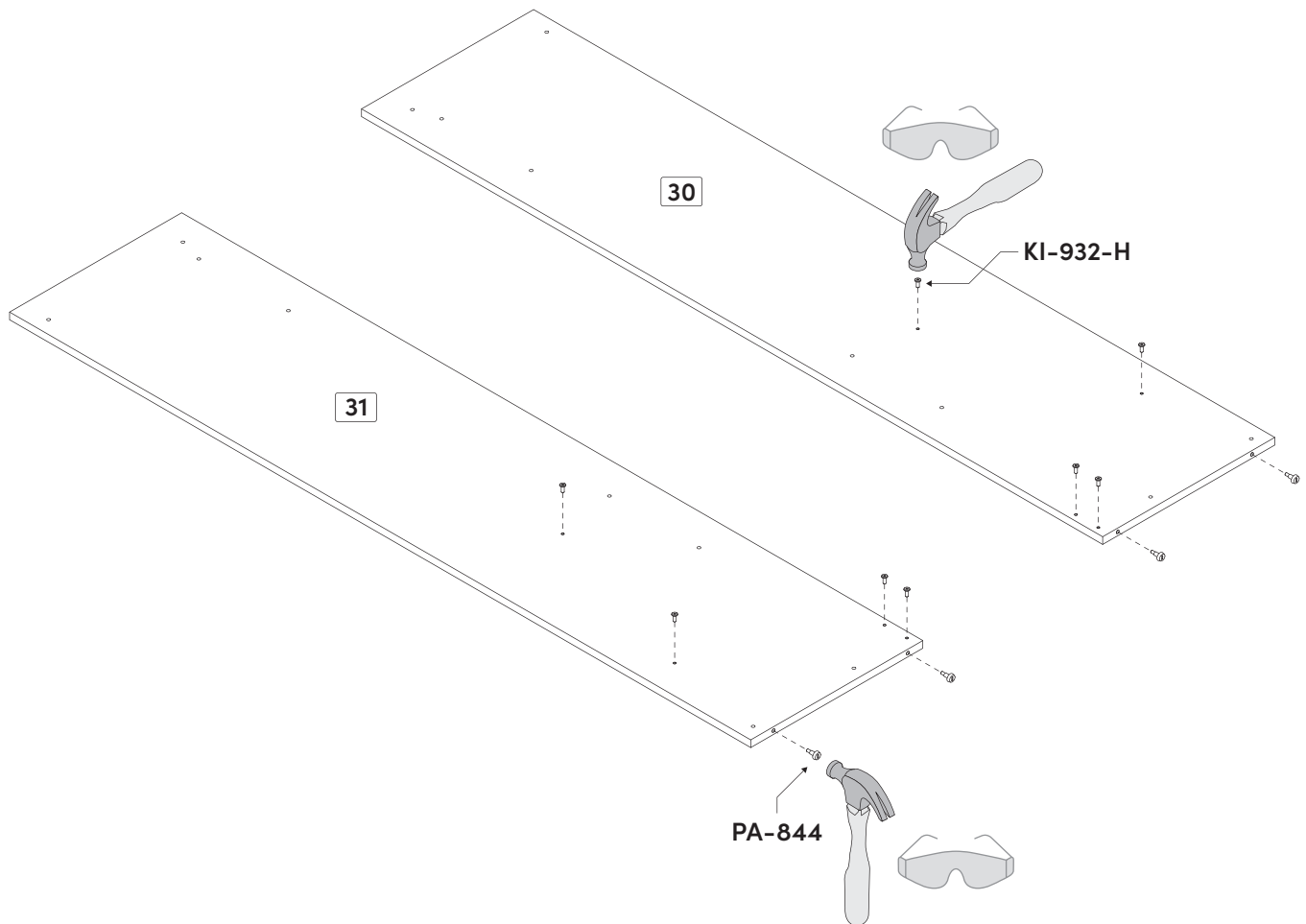


3/4 in (18 mm)



1 in (25 mm)

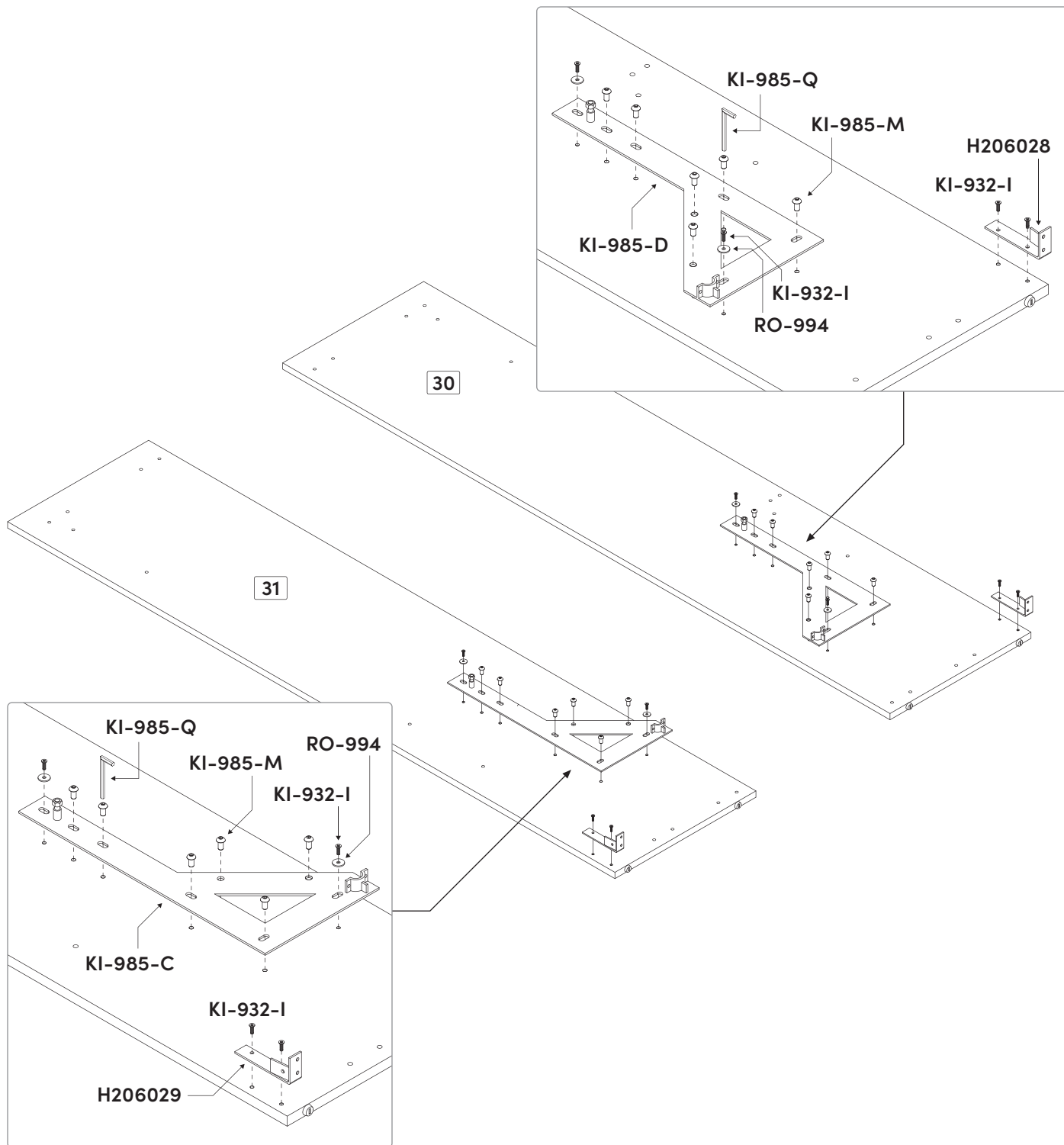
Code	KI-932-H	PA-844
Qty	x 8	x 4



3

Hardware installation Murphy bed

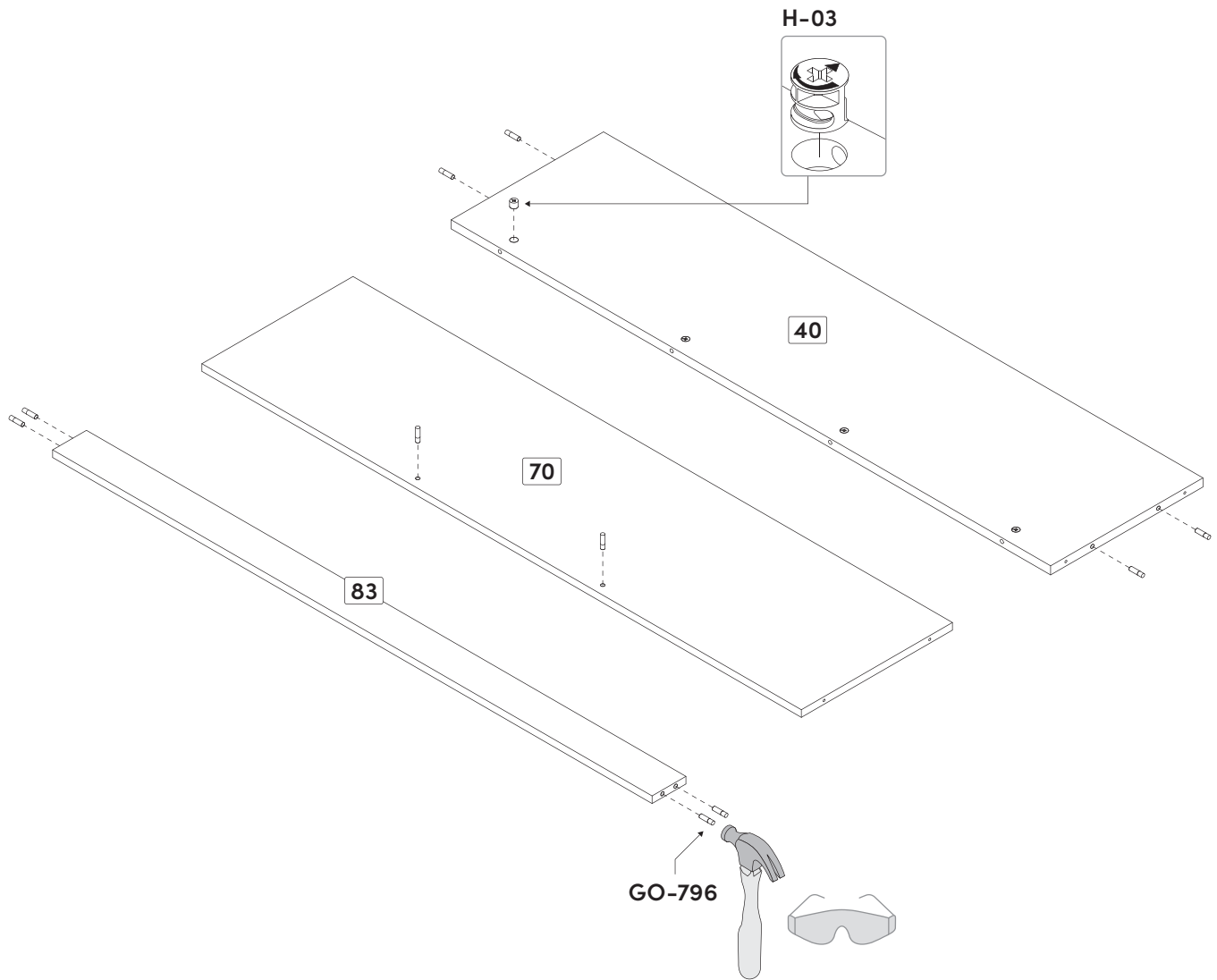
Code	KI-985-C	KI-985-D	KI-932-I	KI-985-M	KI-985-Q	RO-994	H206028	H206029
Qty	x 1	x 1	x 8	x 12	x 1	x 4	x 1	x 1



4 Hardware installation Murphy bed



Code	GO-796	H-03
Qty	x 10	x 4



5 Hardware installation & assembly
Murphy bed



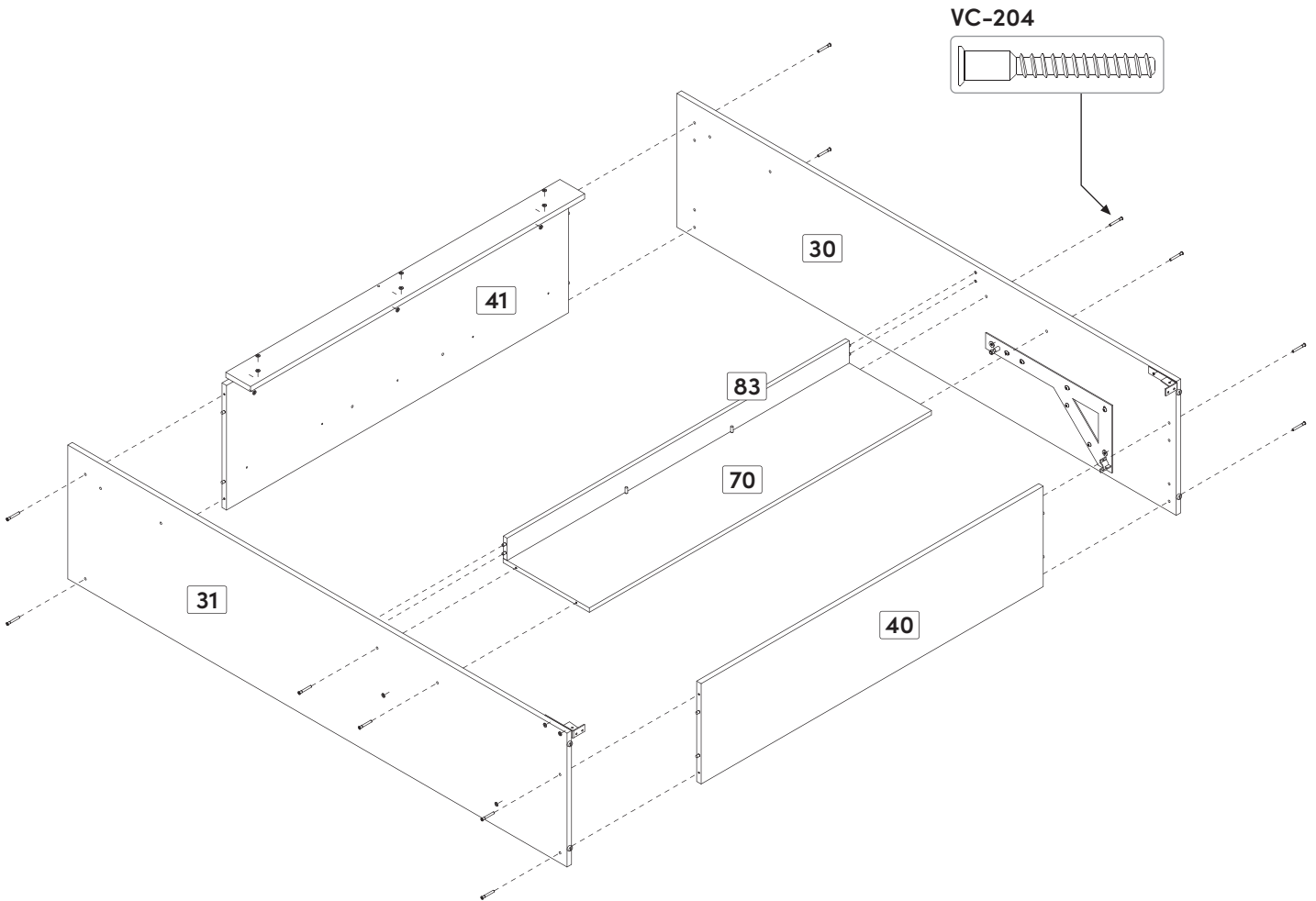
Code VC-204

Qty x 12

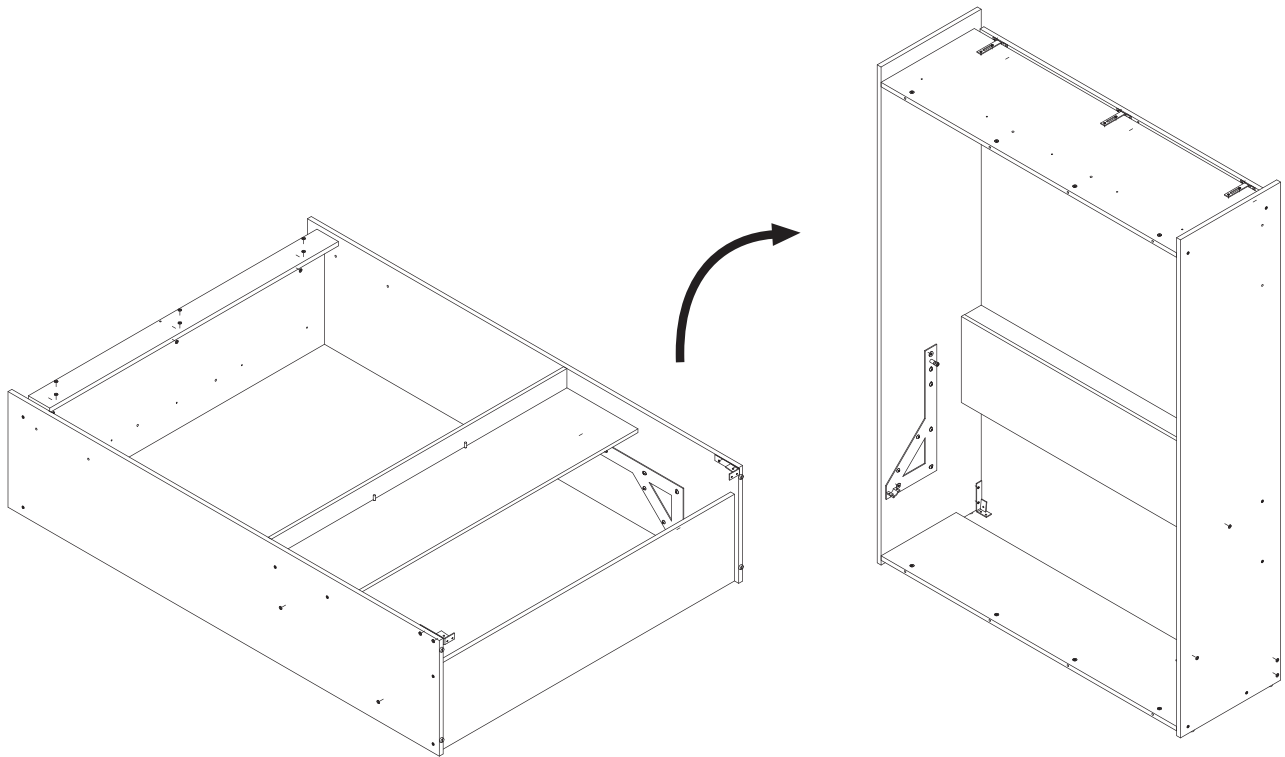


Sequence • Séquence • Secuencia

40 30 31 70 83 41



6 Assembly
Murphy bed



WALL ANCHORING REQUIREMENTS & INSTALLATION RECOMMENDATIONS

Important information to read before starting the assembly.
Keep this information for future reference.



IMPORTANT WARNINGS

Risk of serious injuries if the wall bed tips over.

To prevent wall bed from tipping over, mount it permanently to the wall.

Only a qualified person* must carry out the installation and any possible adjustment of the wall bed (including disassembly). If the wall bed is not firmly mounted (anchored) to the wall, it might tip over and cause serious injuries to the installer, users of the bed as well as the people near the bed.

The choice of wall anchoring depends on the type of wall. Use wall anchors suitable for the wall material.

* **Qualified person:** it is necessary to have a good understanding of the wall structure where the bed is anchored, including the positioning of the wall studs and structural components in the case of a wood or metal structure. **If you do not have the necessary skills**, make sure that the wall anchoring is done by someone who has the qualifications and required knowledge. When you choose the installer, make sure to comply with all applicable regulations in the province, state or country where the furniture is installed.

OTHER TYPES OF WALLS

If the structure of the wall is not wood, metal or masonry: The service of a professional ** would be required for the wall anchoring. The company is released from any responsibility if wall anchoring of this furniture is not done by a professional.

IMPORTANT WARNINGS

INSTALLATION AND APPROPRIATE HARDWARE

Using appropriate hardware, all the anchor screws of the wall bed must be firmly secured to the wood or metal studs, the structural components, or a masonry wall.

Only wall anchor screws for wood-frame walls are provided with this bed.

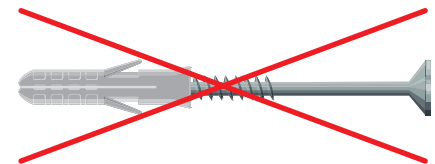
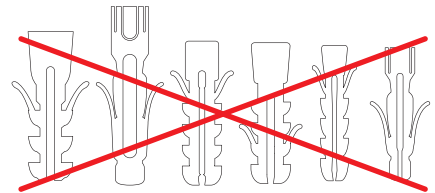
NEVER USE DRYWALL ANCHOR SCREWS OR SECURE THE BED TO DRYWALL

See wall anchoring requirements and installation notes provided in the instruction manual, according to the type of wall, and use the appropriate anchors such as described in this manual.

NUMBER OF SCREWS NEEDED

Two (2) screws are required for each anchor point. Three (3) wall anchor points are necessary for the proper installation of the wall bed. So you need a total of six (6) wall anchor screws.

THE SCREWS MUST BE VERY WELL ANCHORED TO THE STRUCTURAL COMPONENTS OF THE WALL.



** A CERTIFIED CONSTRUCTION PROFESSIONAL, IN COMPLIANCE WITH APPLICABLE REGULATIONS IN THE PROVINCE, STATE, OR COUNTRY WHERE THE FURNITURE IS INSTALLED.

WALL ANCHORING INSTRUCTIONS

INSTALLATION RECOMMENDATIONS

1. Drill a 1/8 in or 3 mm pilot hole into the wall stud to determine the type of wall present.
2. Wood found behind the wall board?
 - a. Use a 1/8 in drill for the pilot hole on the plywood rail.
 - b. Use the wood stud mounting approach with the six #10 x 3.5 in wood screws provided.
3. Metal found behind the wall board?
 - a. Use a 1/4 in drill for the pilot hole on the plywood rail and a 1/2 in drill for the wall.
 - b. Use the metal stud mounting approach with the six #10 x 3 in toggle bolts.
4. Concrete found behind the wall board?
 - a. Use a 5/32 in masonry drill for the pilot hole on the plywood rail and for the wall.
 - b. Use the masonry wall structure mounting approach with the six #10 x 3.25 in concrete screws.



3

"Adjustable wall anchor" Snaptoggle® *



4

Concrete Screw

3/16 in (5 mm) diameter X 3 1/4 in (83 mm)



IMPORTANT

FIX THE WALL BED CORRECTLY TO THE STUD WITH THE APPROPRIATE HARDWARE FOR THE TYPE OF WALL.



⚠ WARNING

- DEATH or SERIOUS INJURY can occur
- Wall bed to be installed by a professional or qualified person ONLY
 - Wall bed MUST be securely attached to wall structure
 - ONLY attach directly to wood or metal studs or masonry wall structure
 - NEVER attach wall bed directly to drywall/sheetrock/gypsum panel
 - NEVER use hollow wall anchors
 - Check that screws are tight and fully screwed into the wall studs
 - Screws must not be loose or turn freely when the wall bed is fully installed
 - Failure to follow these steps may result in product tip-over or collapse resulting in crushing injury

⚠ AVERTISSEMENT

- Peut entraîner la MORT ou des BLESSURES GRAVES
- Le lit escamotable doit être installé par un professionnel ou une personne qualifiée SEULEMENT
 - Le lit DOIT être fixé solidement au mur
 - Fixez directement aux montants de bois ou de métal ou à la structure du mur en maçonnerie SEULEMENT
 - Ne fixez JAMAIS le lit escamotable directement dans la cloison sèche/le plâtre/les panneaux de plâtre
 - N'utilisez JAMAIS de chevilles pour cloison sèche
 - Assurez-vous que les vis soient serrées et bien vissées dans les montants du mur
 - Les vis ne doivent pas être desserrées ou bouger librement une fois le lit installé
 - Le non-respect de ces étapes pourrait provoquer le renversement ou la chute du produit et entraîner des blessures par écrasement

⚠ ADVERTENCIA

- Puede causar LESIONES GRAVES o la MUERTE
- La cama abatible debe ser instalada SOLO por un profesional o persona cualificada
 - La cama abatible DEBE ser asegurada firmemente a la estructura de la pared
 - Asegure DIRECTAMENTE a las vigas de madera, metal o concreto de la estructura de la pared
 - NUNCA asegure la cama abatible a los paneles o placas de yeso o tablaroca
 - NUNCA use taquetes o anclajes para "pared hueca"
 - Asegúrese de que los tornillos estén completamente insertados y seguros en los vigas de la pared
 - Los tornillos no deben estar sueltos ni deben poder moverse una vez que la cama abatible haya sido instalada
 - Si no sigue estas instrucciones, el producto puede volcarse o colapsar, resultando en lesiones por aplastamiento

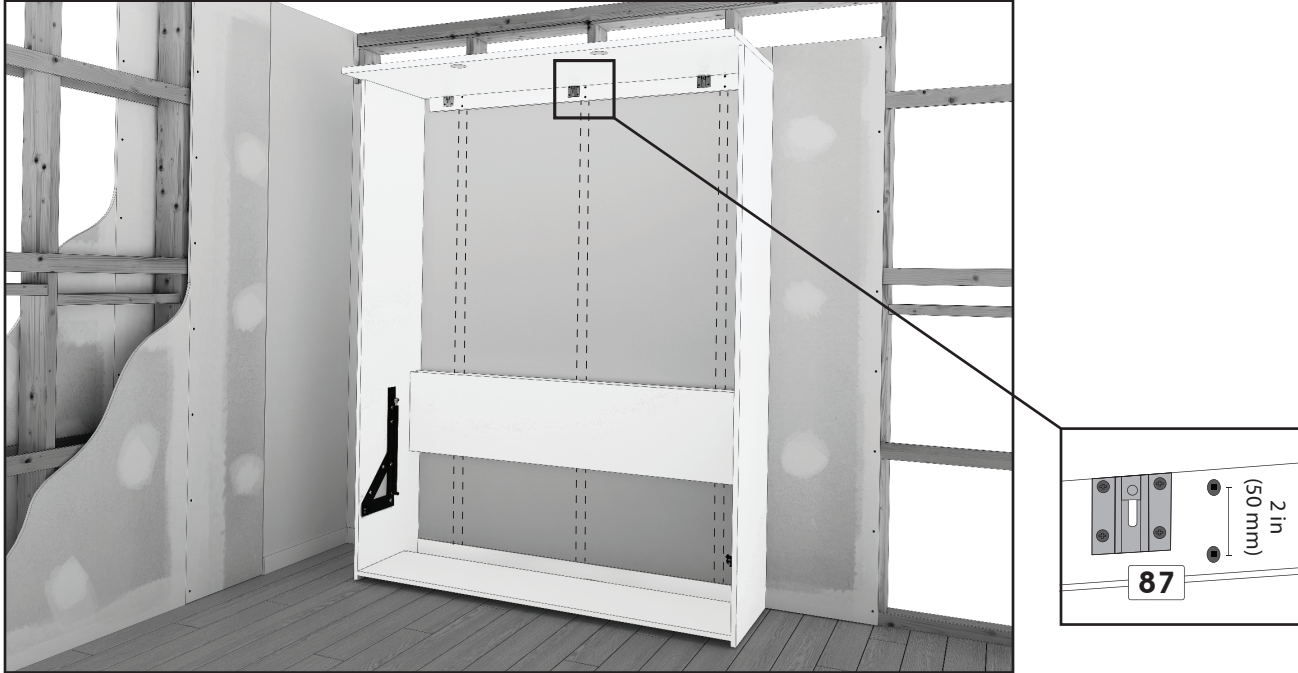
122-183184-0

WALL ANCHORING INSTRUCTIONS

INSTALLATION RECOMMENDATIONS — WOOD STUDS

WALL COMPOSITION

Wood studs

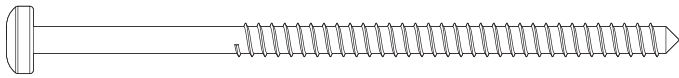


ACCORDING TO YOUR WALL TYPE AND COMPOSITION, YOUR PROFESSIONAL INSTALLER SHOULD APPROVE THE CHOICE OF ANCHOR SCREWS AND SELECT, IF REQUIRED, MORE APPROPRIATE ANCHORING DEVICES.

HARDWARE INCLUDED

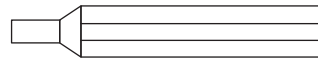
6 SCREWS No #10"

VR-1125



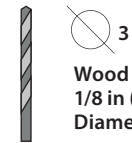
3 1/2 in (89 mm)

BT-1048



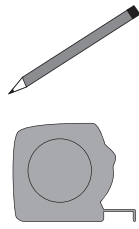
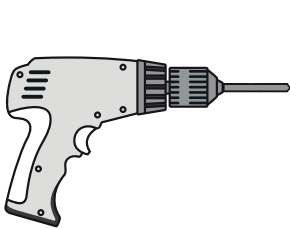
Robertson (square-tip) bit included

H206515

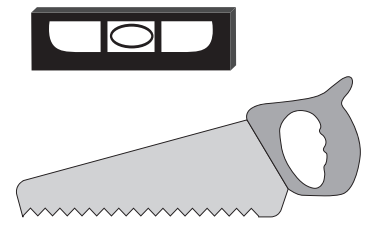


3
Wood drill bit
1/8 in (3 mm)
Diameter

REQUIRED TOOLS



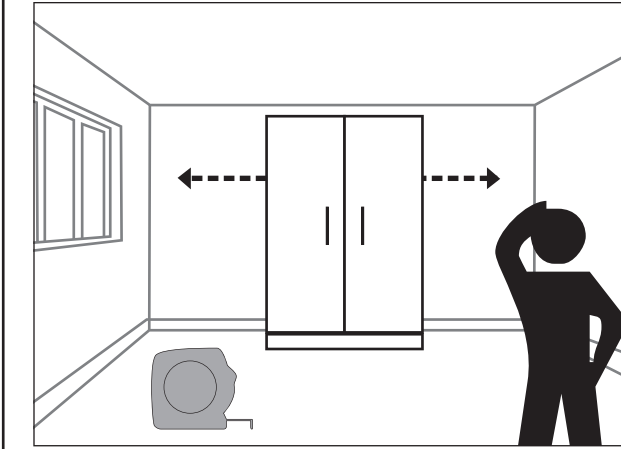
Stud finder



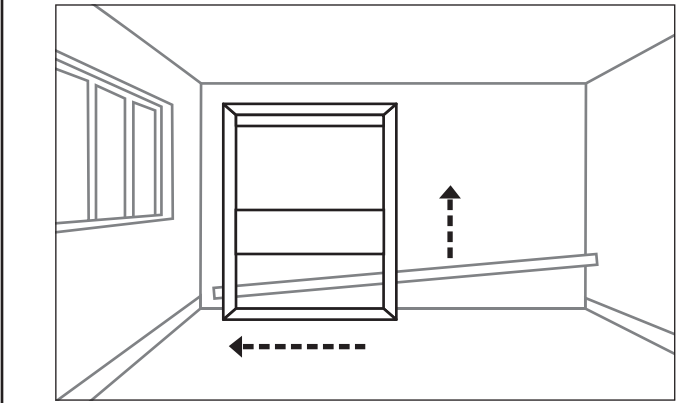
WALL ANCHORING INSTRUCTIONS

INSTALLATION RECOMMENDATIONS - WOOD STUDS

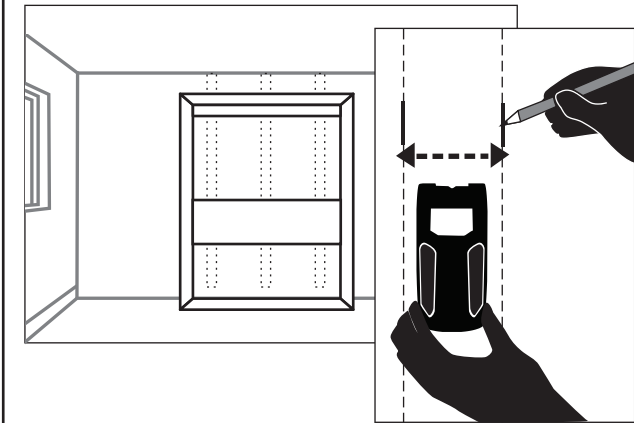
1 Determine the position of the bed in the room.



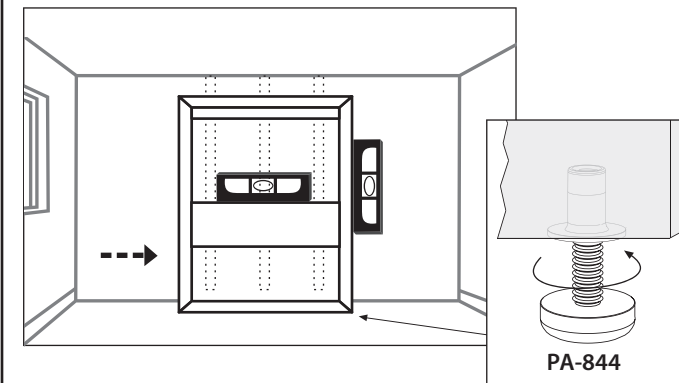
2 Move the bed if necessary, then remove the floor trim completely.



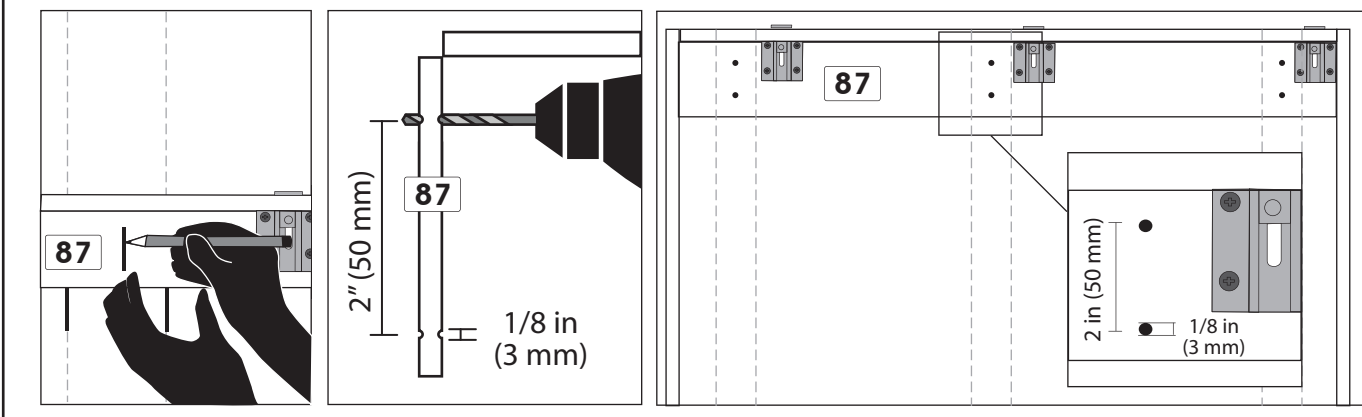
3 Locate and mark the positioning of 3 studs using a stud finder.



4 Put the bed back in its place. Level by adjusting the legs PA-844 previously installed. If you install the bed on a carpet, you must raise the bed by an extra 3/8 in (10 mm).



5 Line up plywood part #87 on the wall and mark the middle of the studs on the plywood, then pre-drill part #87 with 2 pilot holes of 1/8 in (3 mm) diameter per stud, 2 in (50 mm) apart vertically (6 holes in total). **DO NOT DRILL HOLES INTO THE WOOD STUDS.**



WALL ANCHORING INSTRUCTIONS

INSTALLATION RECOMMENDATIONS - WOOD STUDS

IMPORTANT WARNINGS

INSTALLATION AND APPROPRIATE HARDWARE

Using appropriate hardware, all the anchor screws of the wall bed must be firmly secured to the wood or metal studs, the structural components, or a masonry wall.

Only wall anchor screws for wood-frame walls are provided with this bed.

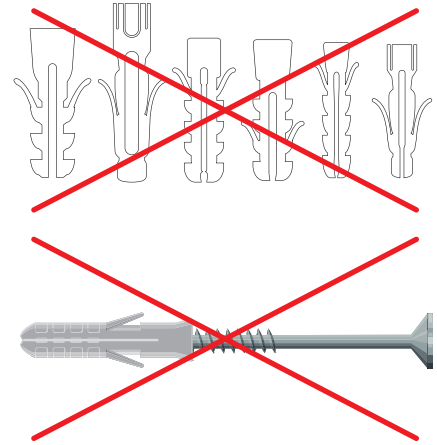
NEVER USE DRYWALL ANCHOR SCREWS OR SECURE THE BED TO DRYWALL

See wall anchoring requirements and installation notes provided in the instruction manual, according to the type of wall, and use the appropriate anchors such as described in this manual.

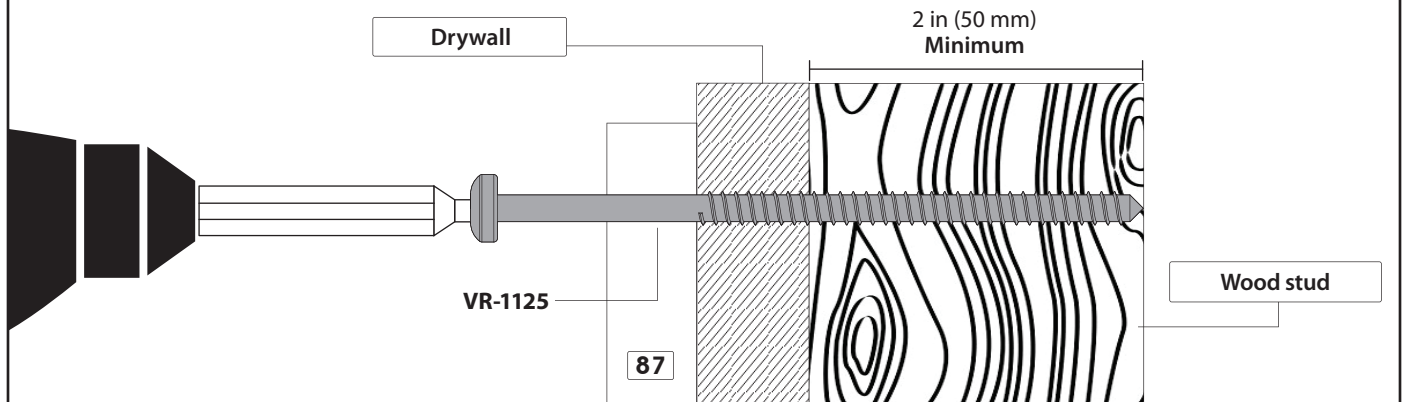
NUMBER OF SCREWS NEEDED

Two (2) screws are required for each anchor point. Three (3) wall anchor points are necessary for the proper installation of the wall bed. So you need a total of six (6) wall anchor screws.

THE SCREWS MUST BE VERY WELL ANCHORED TO THE STRUCTURAL COMPONENTS OF THE WALL.



- 6** Put the wood screws #10 x 3 1/2 in (89 mm) through the holes of part #87 and screw into the center of the studs until the plywood is tight against the wall. The screw must be at least 2 in (50 mm) deep in the wooden stud. **USE AN ELECTRIC SCREWDRIVER WITH AN ADJUSTABLE TENSION CLUTCH THAT HELPS PREVENT OVER-TIGHTENING AND STRIPPING.**

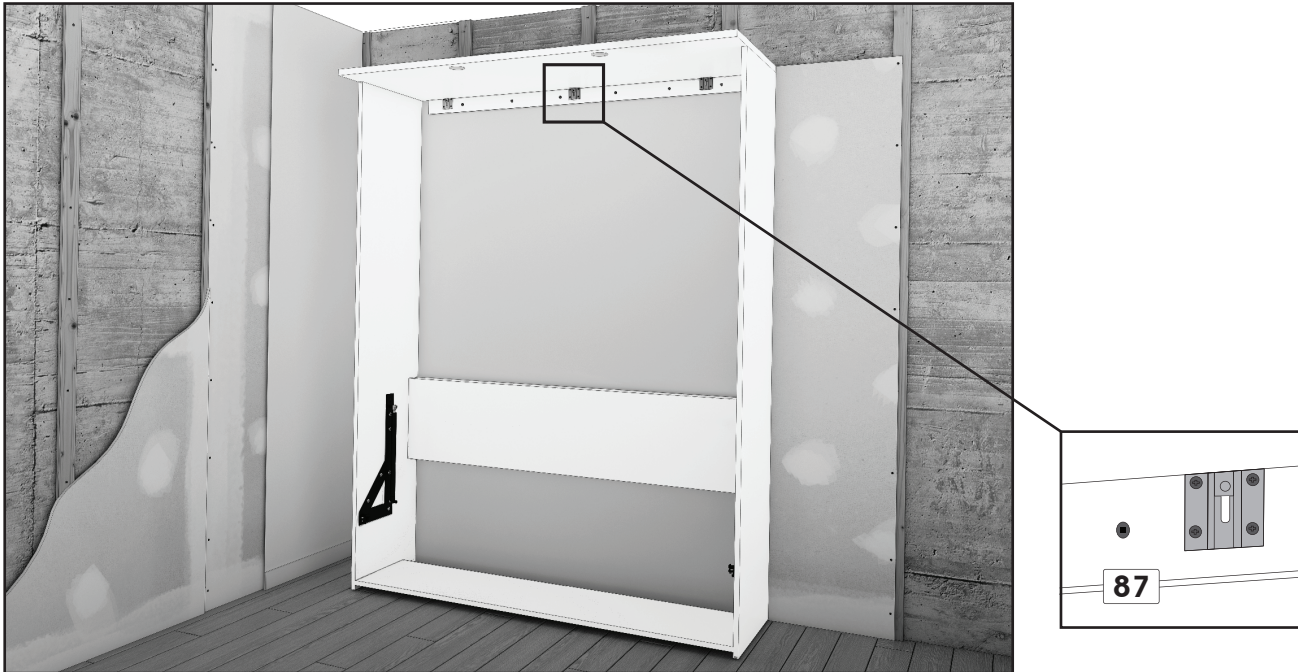


WALL ANCHORING INSTRUCTIONS

INSTALLATION RECOMMENDATIONS — MASONRY

WALL COMPOSITION

Masonry



ACCORDING TO YOUR WALL TYPE AND COMPOSITION, YOUR PROFESSIONAL INSTALLER SHOULD APPROVE THE CHOICE OF ANCHOR SCREWS AND SELECT, IF REQUIRED, MORE APPROPRIATE ANCHORING DEVICES.

HARDWARE

“CONCRETE SCREWS 3/16 in (5 mm) diameter X APPROPRIATE LENGTH”



NOT included

H206515

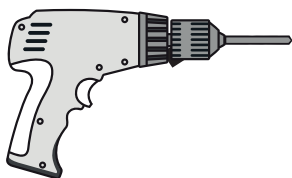


3

Wood drill bit
1/8 in (3 mm)
Diameter

Included

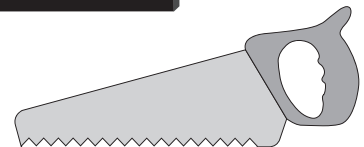
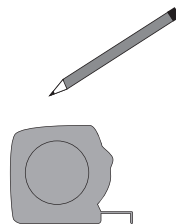
REQUIRED TOOLS



Hammer drill



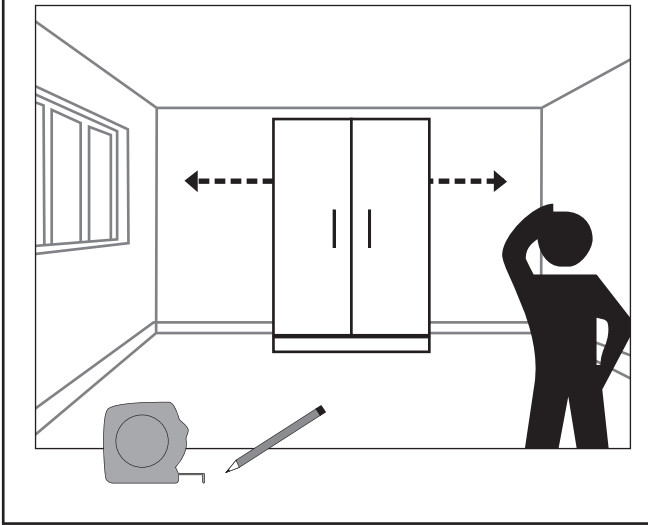
Masonry drill bit
5/32 in (4 mm)
Diameter



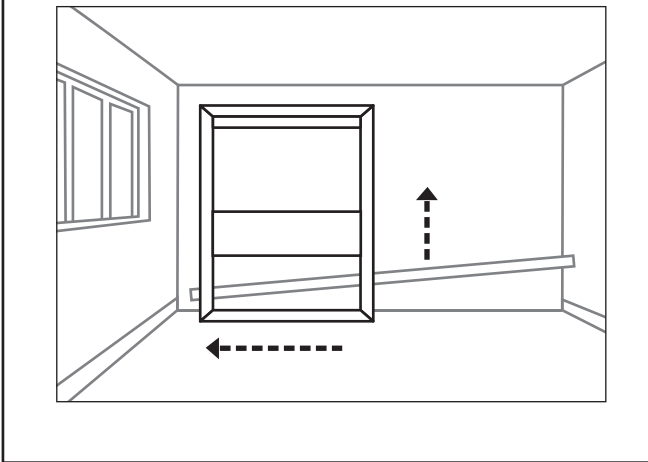
WALL ANCHORING INSTRUCTIONS

INSTALLATION RECOMMENDATIONS — MASONRY

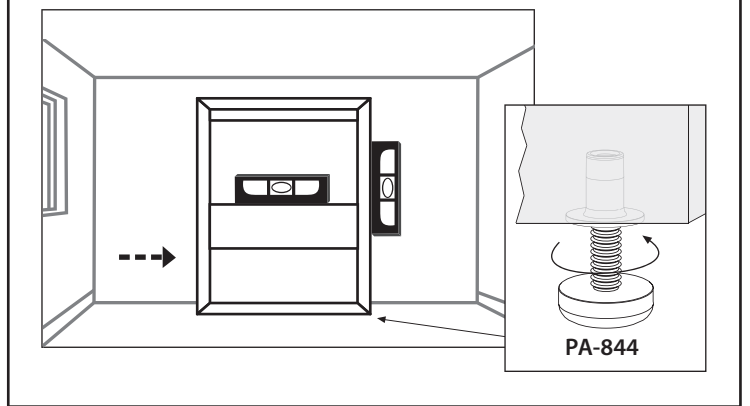
- 1** Determine and mark the position of the bed in the room.



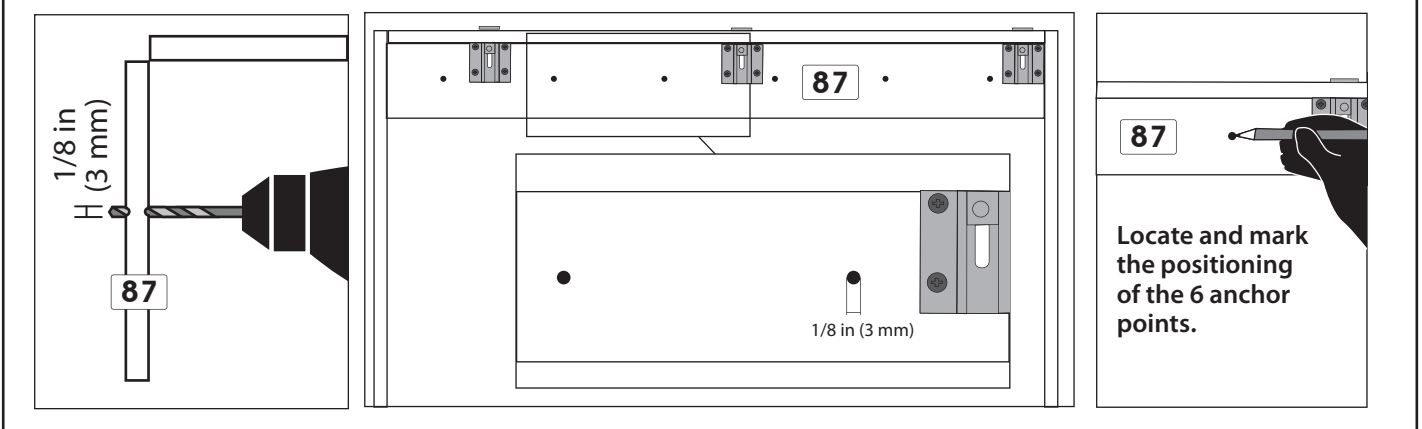
- 2** Move the bed if necessary, then remove the floor trim completely.



- 3** Put the bed back in its place. Level by adjusting the legs PA-844 previously installed. If you install the bed on a carpet, you must raise the bed by an extra 3/8 in (10 mm).



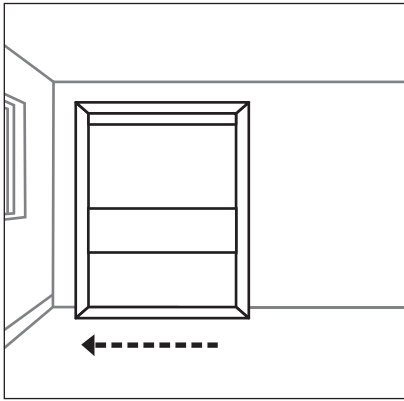
- 4** Pre-drill the piece of plywood #87 with 6 pilot holes of 1/8 in (3 mm) diameter distributed horizontally in order to cover the width of the anchoring section. With the bed in position, mark the position of the 6 holes on the masonry wall.



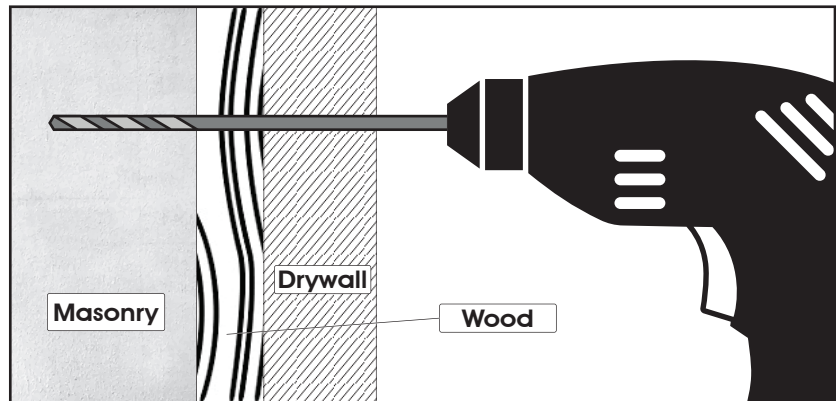
WALL ANCHORING INSTRUCTIONS

INSTALLATION RECOMMENDATIONS — MASONRY

5 Move the bed again.



6 Using a 5/32 in (4 mm) diameter masonry bit, drill into the drywall and masonry (a hammer drill is required).



IMPORTANT WARNINGS

INSTALLATION AND APPROPRIATE HARDWARE

Using appropriate hardware, all the anchor screws of the wall bed must be firmly secured to the wood or metal studs, the structural components, or a masonry wall.

Only wall anchor screws for wood-frame walls are provided with this bed.

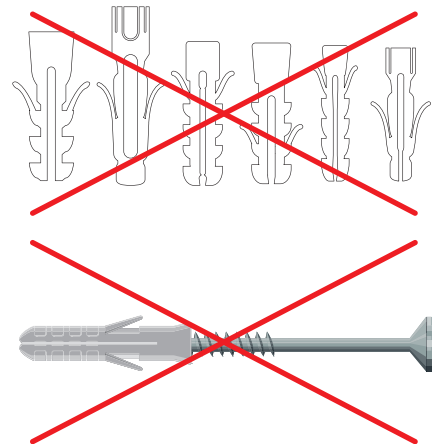
NEVER USE DRYWALL ANCHOR SCREWS OR SECURE THE BED TO DRYWALL

See wall anchoring requirements and installation notes provided in the instruction manual, according to the type of wall, and use the appropriate anchors such as described in this manual.

NUMBER OF SCREWS NEEDED

Two (2) screws are required for each anchor point. Three (3) wall anchor points are necessary for the proper installation of the wall bed. So you need a total of six (6) wall anchor screws.

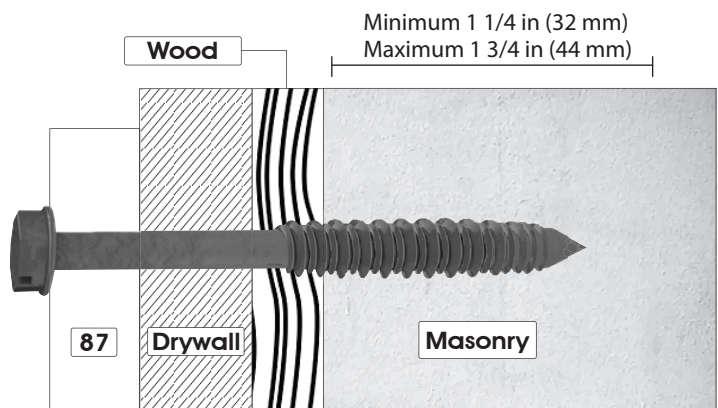
THE SCREWS MUST BE VERY WELL ANCHORED TO THE STRUCTURAL COMPONENTS OF THE WALL.



7 Put the bed back in its place.

Put the **CONCRETE SCREWS 3/16 in (5 mm) diameter X APPROPRIATE LENGTH** into the holes of part #87 and screw the bed onto the masonry wall until tight against the wall. Screw must be at least 1 1/4 in (32 mm) deep into masonry.

USE AN ELECTRIC SCREWDRIVER WITH AN ADJUSTABLE TENSION CLUTCH THAT HELPS PREVENT OVER-TIGHTENING AND STRIPPING.

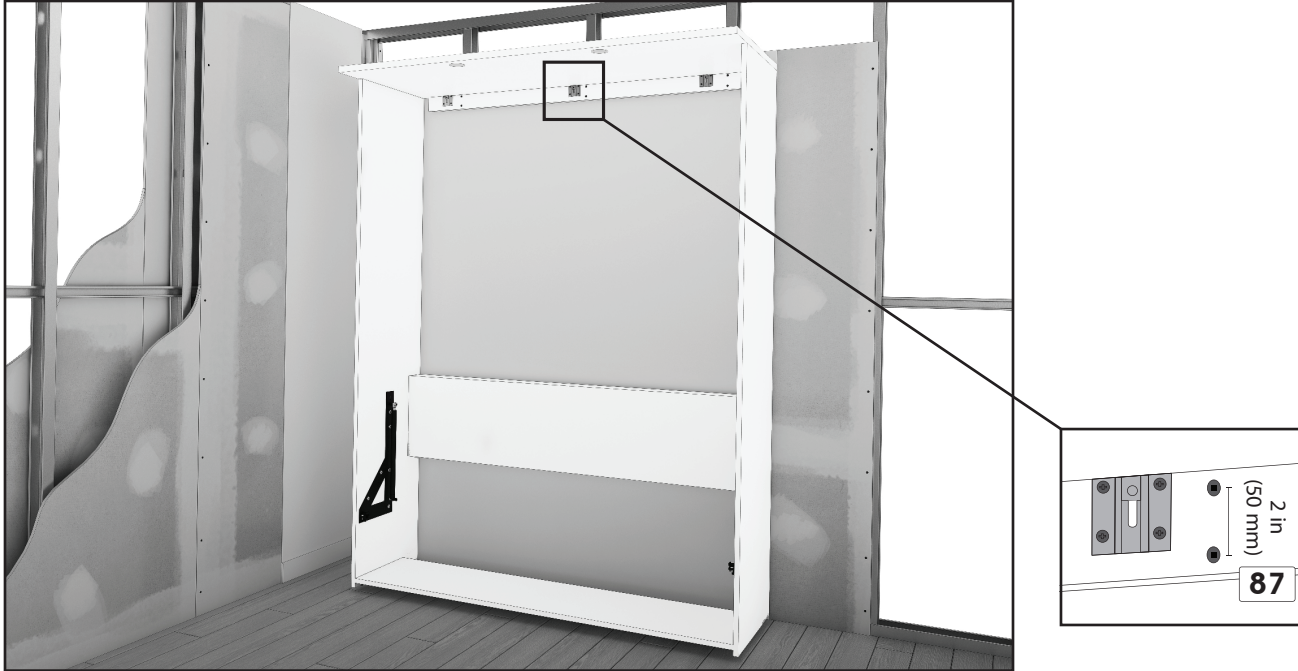


WALL ANCHORING INSTRUCTIONS

INSTALLATION RECOMMENDATIONS — METAL STUDS

WALL COMPOSITION

Metal studs



ACCORDING TO YOUR WALL TYPE AND COMPOSITION, YOUR PROFESSIONAL INSTALLER SHOULD APPROVE THE CHOICE OF ANCHOR SCREWS AND SELECT, IF REQUIRED, MORE APPROPRIATE ANCHORING DEVICES.

HARDWARE

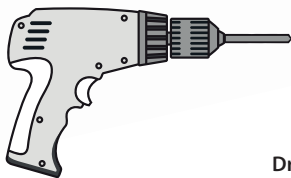
“Adjustable wall anchor” Snaptoggle® *



SCREW (10-24) X APPROPRIATE LENGTH

NOT included

REQUIRED TOOLS



Hammer drill



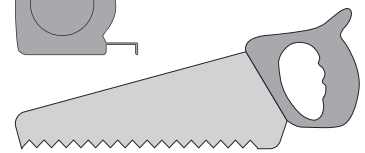
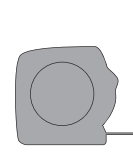
Drill bit for metal
1/2 in (13 mm)
diameter



Wood drill bit
3/16 in (5 mm)
diameter



Stud
finder

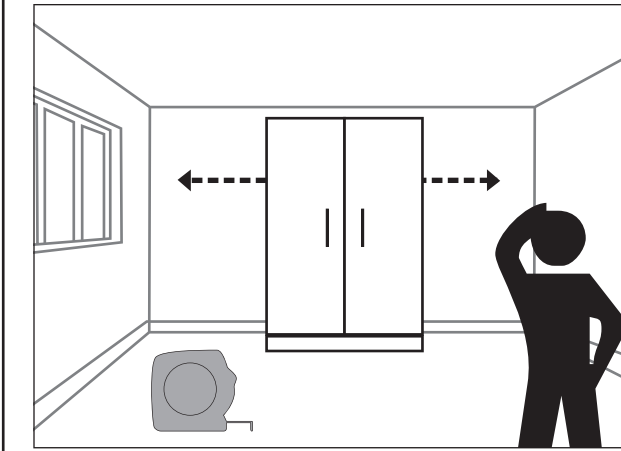


*Patented under one or more of the following U.S. Patent Nos. : 5,938,385; 6,161,999; 7,144,212; 7,320,569; and foreign counterparts thereof. Others patents pending.
TOGGLER and typeface, symbol, TA, TB, TC, TH, SP, ALLIGATOR, ALLIGATOR design, SNAPTOGGLE, SnapSkru, and High-Performance Anchors are worldwide registered trademarks of Mechanical Plastics Corp.

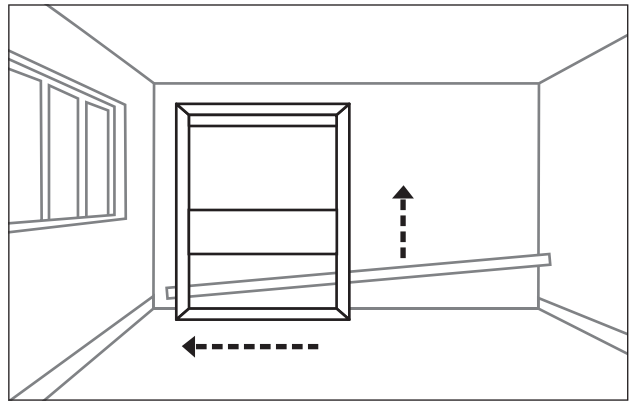
WALL ANCHORING INSTRUCTIONS

INSTALLATION RECOMMENDATIONS — METAL STUDS

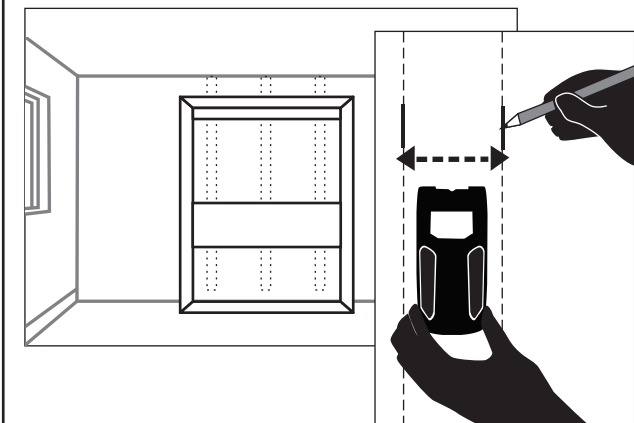
1 Determine the position of the bed in the room.



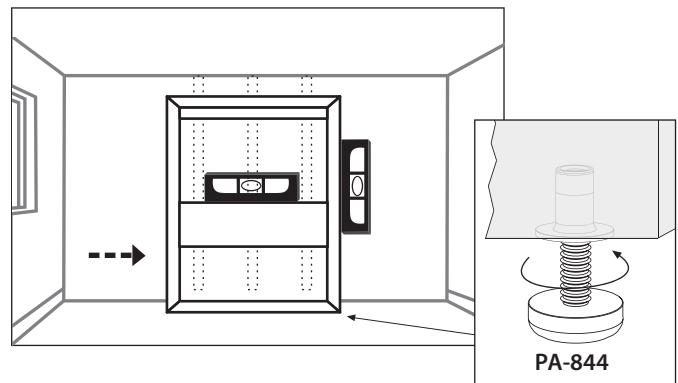
2 Move the bed if necessary, then remove the floor trim completely.



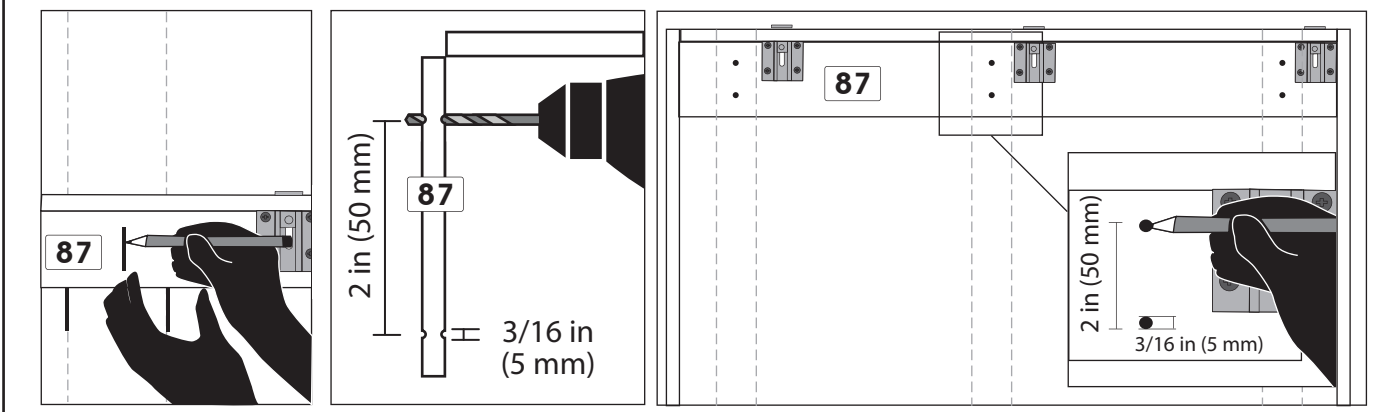
3 Locate and mark the positioning of 3 studs using a stud finder.



4 Put the bed back in its place. Level by adjusting the legs PA-844 previously installed. If you install the bed on a carpet, you must raise the bed by an extra 3/8 in (10 mm).



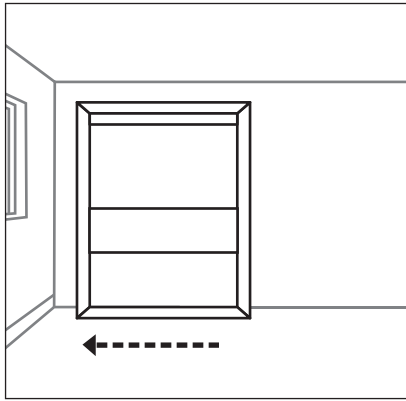
5 Line up plywood part #87 on the wall and mark the middle of the studs on the plywood, then pre-drill part #87 with 2 pilot holes of 3/16 in (5 mm) diameter per stud, 2 in (50 mm) apart vertically (6 holes in total). With the bed in position, mark the positioning of the 6 holes on the drywall.



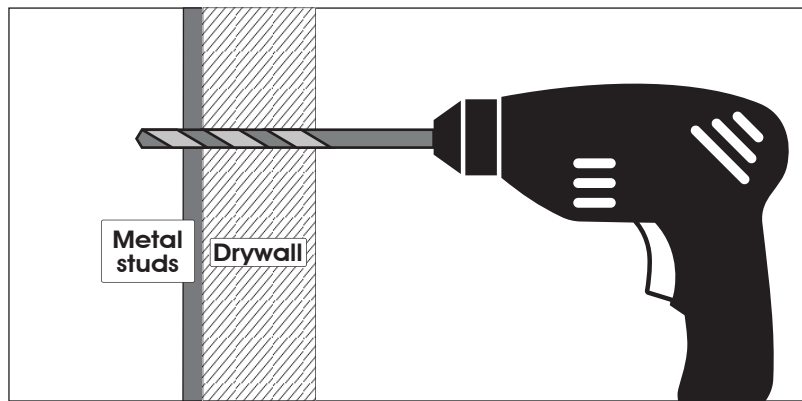
WALL ANCHORING INSTRUCTIONS

INSTALLATION RECOMMENDATIONS — METAL STUDS

6 Move the bed again.



7 Using a 1/2 in (13 mm) diameter metal bit, drill into the drywall and the metal studs.



IMPORTANT WARNINGS

INSTALLATION AND APPROPRIATE HARDWARE

Using appropriate hardware, all the anchor screws of the wall bed must be firmly secured to the wood or metal studs, the structural components, or a masonry wall.

Only wall anchor screws for wood-frame walls are provided with this bed.

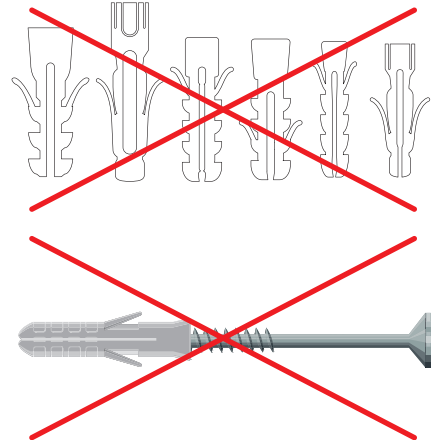
NEVER USE DRYWALL ANCHOR SCREWS OR SECURE THE BED TO DRYWALL

See wall anchoring requirements and installation notes provided in the instruction manual, according to the type of wall, and use the appropriate anchors such as described in this manual.

NUMBER OF SCREWS NEEDED

Two (2) screws are required for each anchor point. Three (3) wall anchor points are necessary for the proper installation of the wall bed. So you need a total of six (6) wall anchor screws.

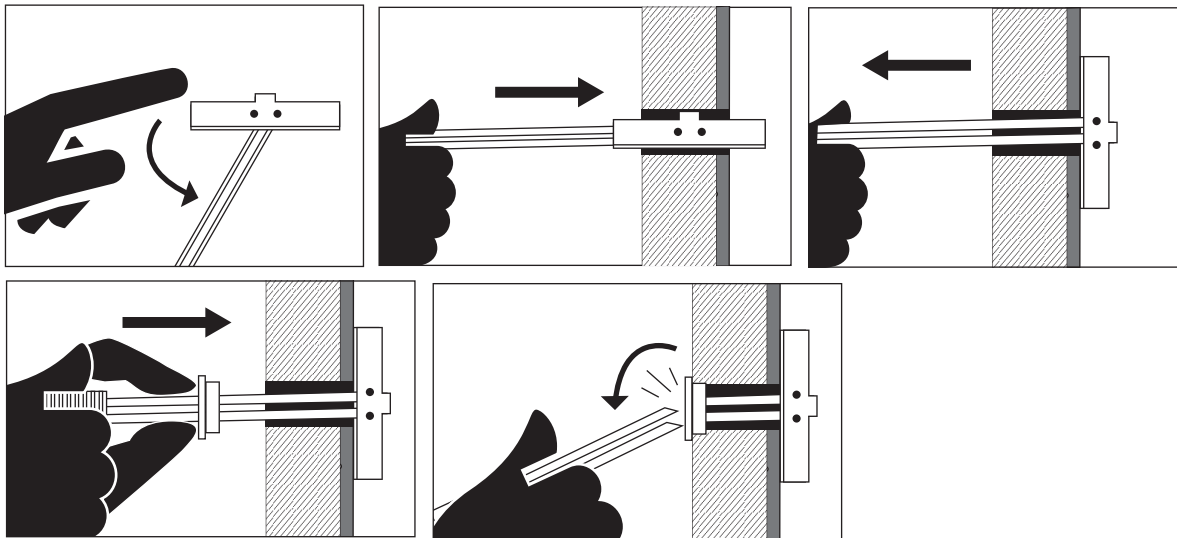
THE SCREWS MUST BE VERY WELL ANCHORED TO THE STRUCTURAL COMPONENTS OF THE WALL.



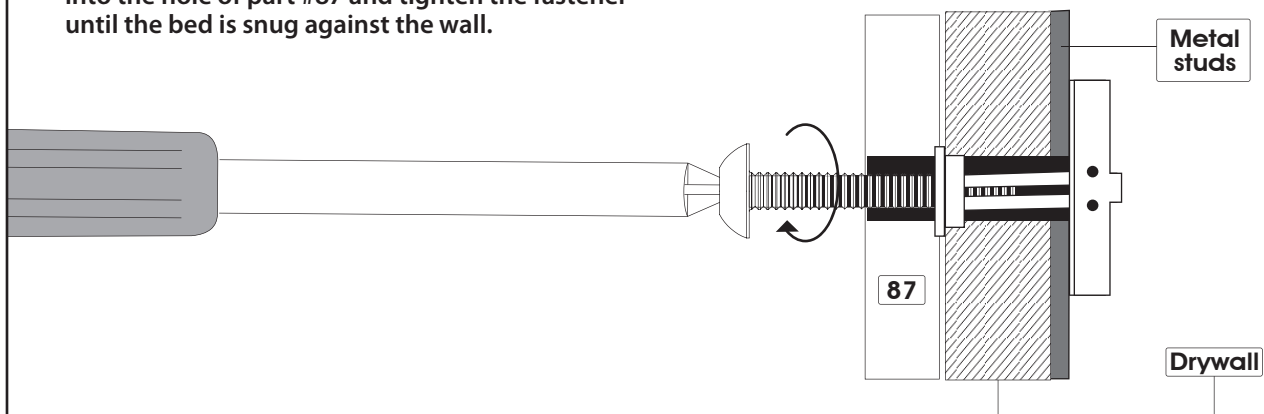
WALL ANCHORING INSTRUCTIONS

INSTALLATION RECOMMENDATIONS — METAL STUDS

- 8** Slide the metal channel of the anchor through the hole in the wall, hold the straps together and pull toward you until the channel rests behind the wall. Slide the cap along the straps until it is flush with the wall. Snap off the straps.



- 9** Put the bed back in its place.
Insert the screw (10-24) X APPROPRIATE LENGTH into the hole of part #87 and tighten the fastener until the bed is snug against the wall.



OTHER TYPES OF WALLS

If the structure of the wall is not wood, metal or masonry: The service of a professional ** would be required for the wall anchoring. The company is released from any responsibility if wall anchoring of this furniture is not done by a professional.

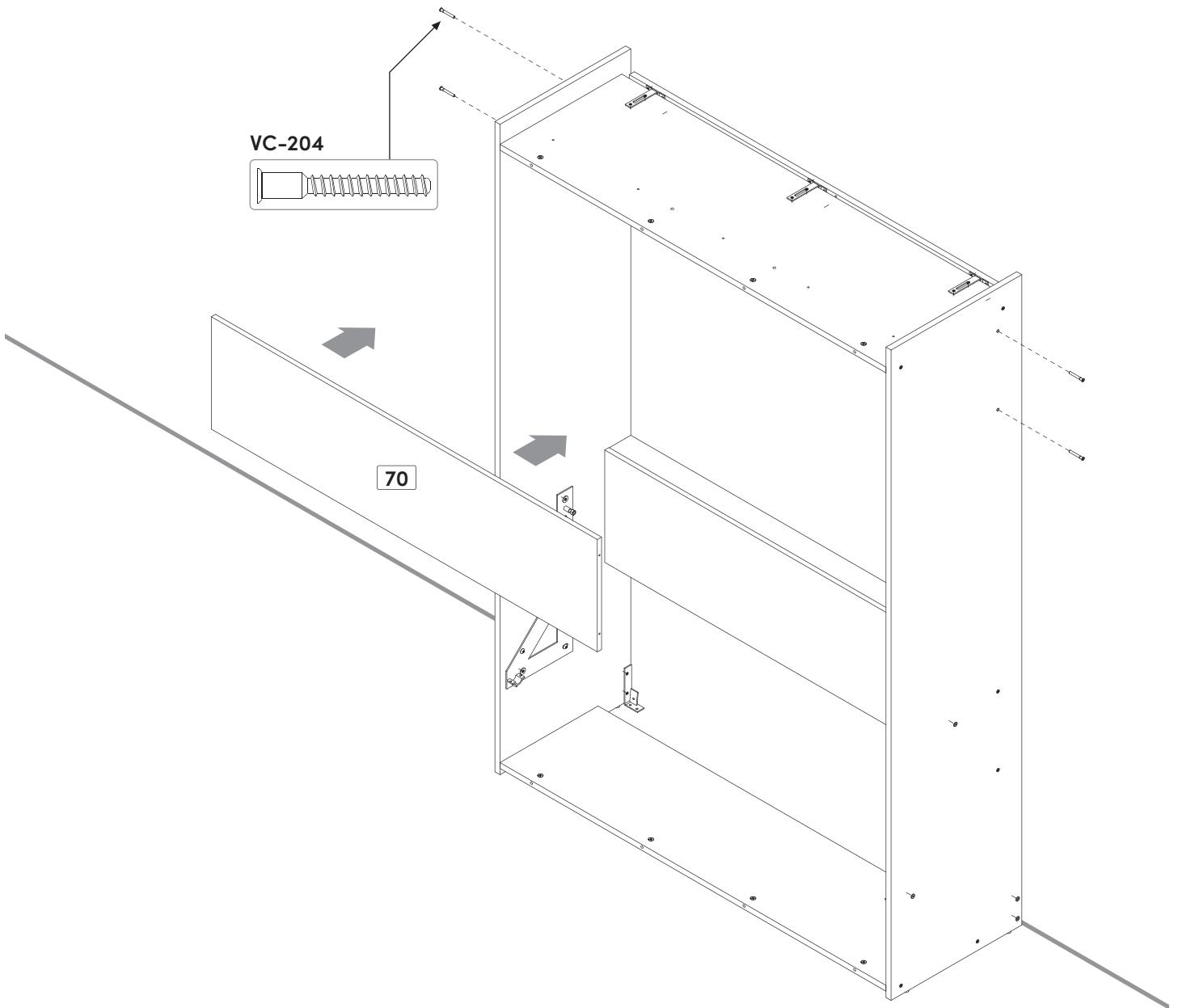
** A CERTIFIED CONSTRUCTION PROFESSIONAL, IN COMPLIANCE WITH APPLICABLE REGULATIONS IN THE PROVINCE, STATE, OR COUNTRY WHERE THE FURNITURE IS INSTALLED.

8 Hardware installation & assembly
Murphy bed

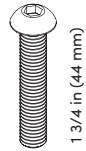
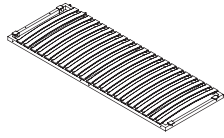
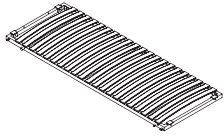


Code VC-204

Qty x 4



9 Hardware installation & assembly
Murphy bed



1 3/4 in (44 mm)



2 3/4 in (70 mm)

Code KI-985-A

KI-985-B

KI-985-F

KI-985-N

KI-985-O

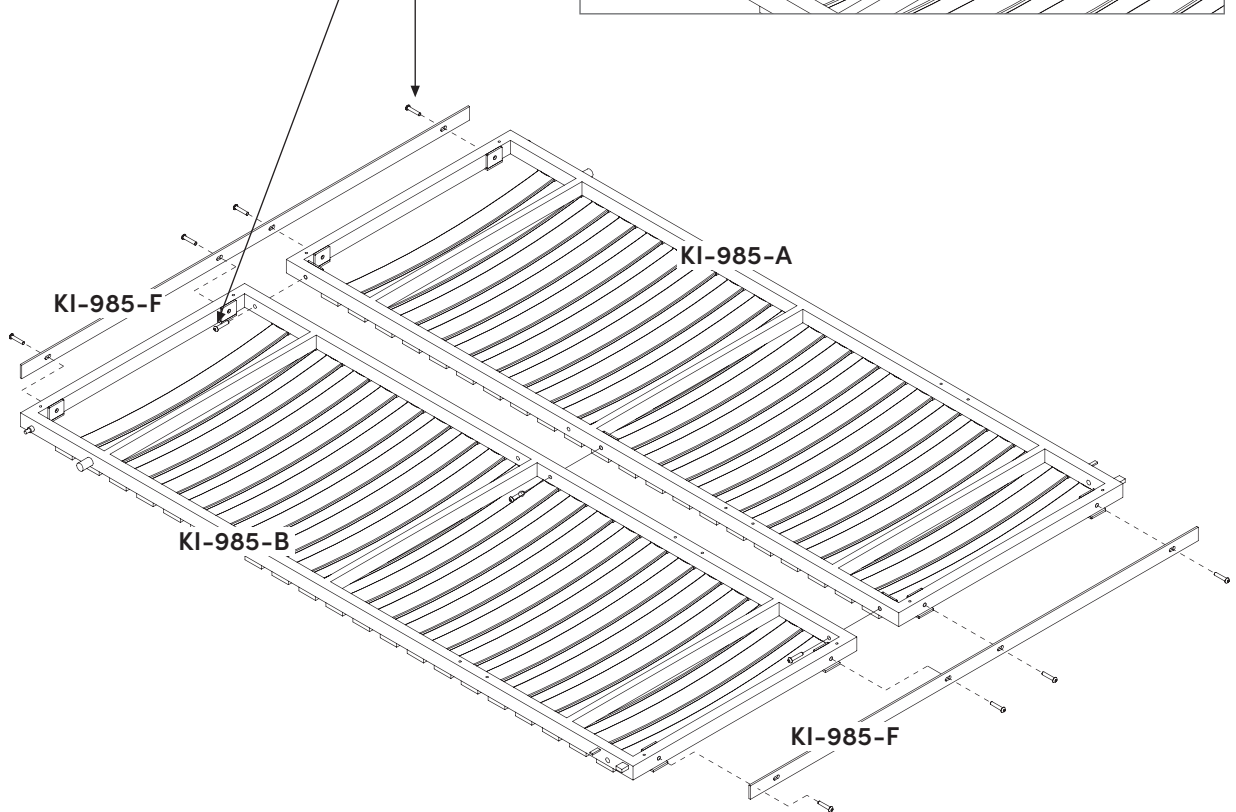
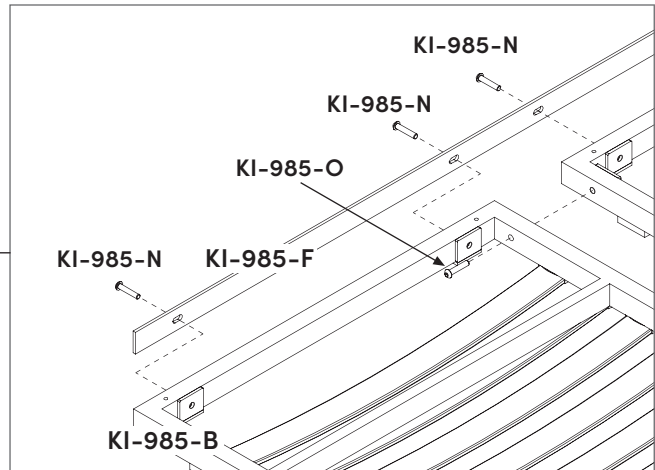
Qty x 1

x 1


x 2

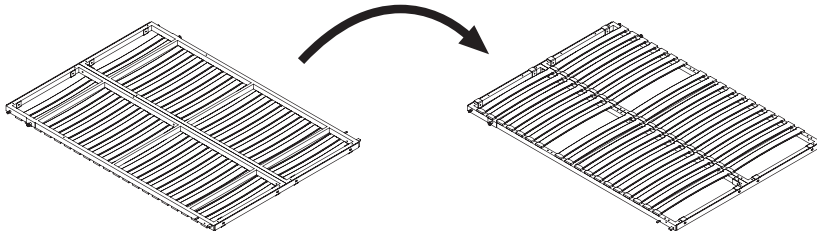
x 8

x 3



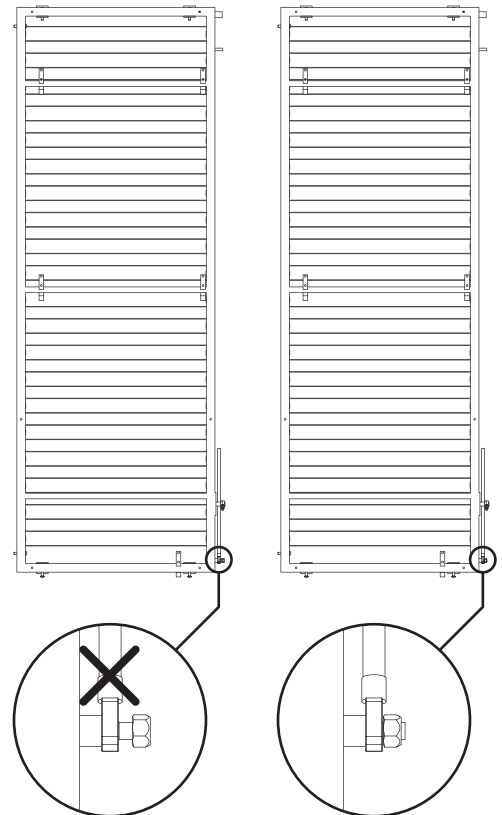
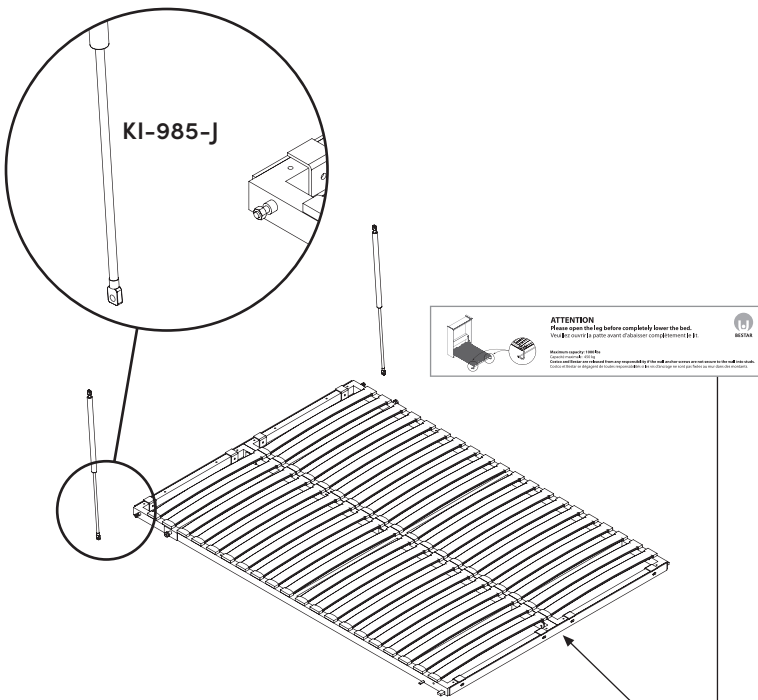
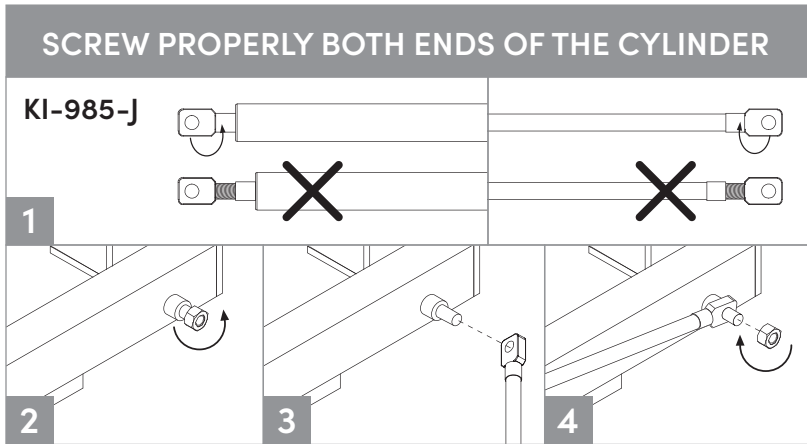
10 Hardware installation & assembly
Murphy bed

		LEG WARNING STICKER
Code	KI-985-J	
Qty	x 2	x 1



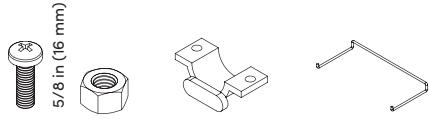
IMPORTANT

Take note that after the installation of the pistons, it will be very difficult to open the bed. Follow the steps until the end, put the mattress on, and the bed will open without effort.



KI-985-J MUST BE COMPLETELY TIGHTENED

11 Hardware installation & assembly
Murphy bed



Code	KI-985-L	KI-985-P	KI-985-E
Qty	x 4	x 2	x 2

IMPORTANT

1. Place the bearings equally on each side before attaching them.
2. Position the bearing support in such a way as to lock. (Image 1)
3. Firmly tighten the bearing support.

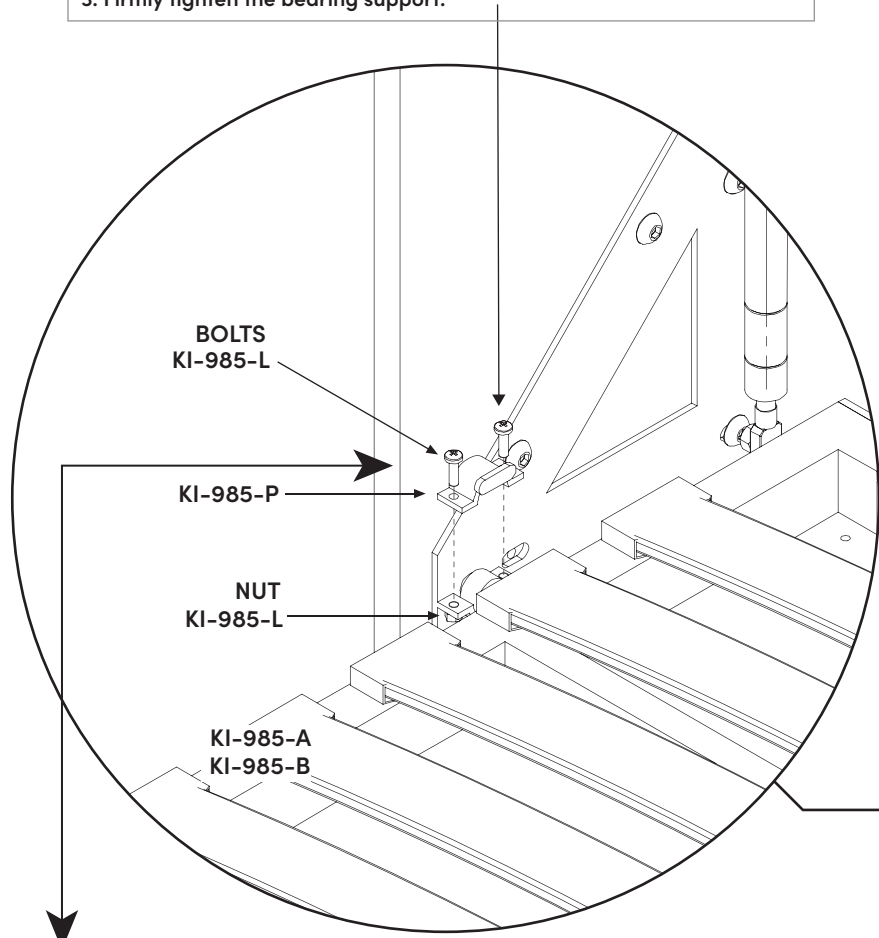
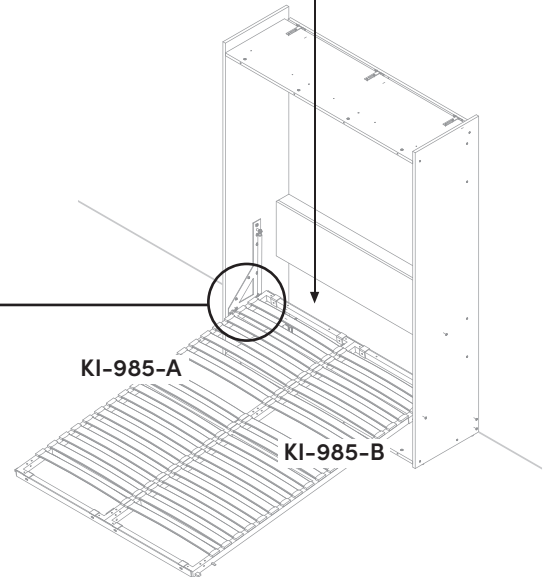
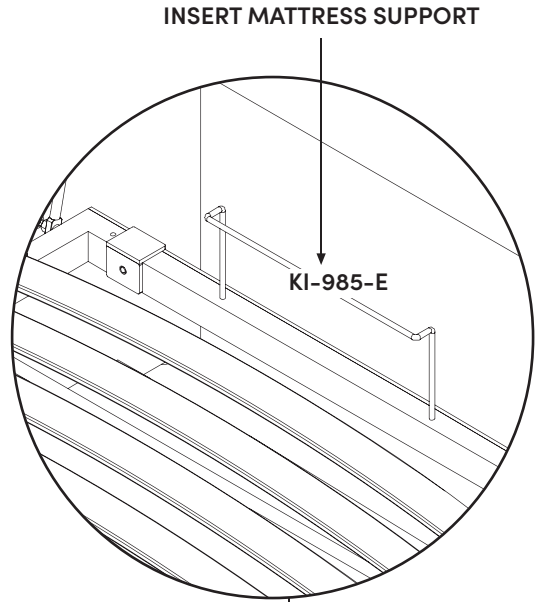
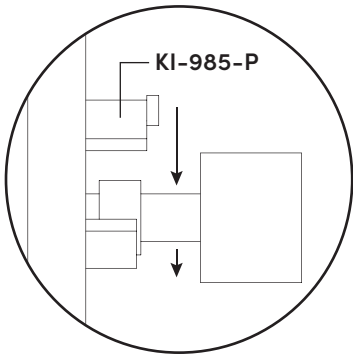


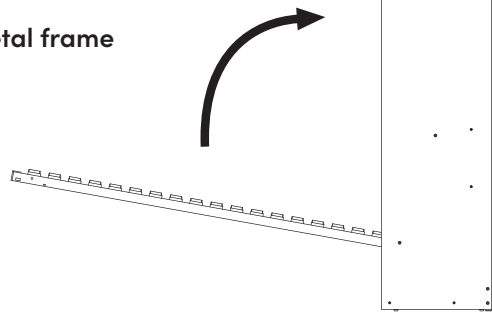
IMAGE 1 FRONT VIEW



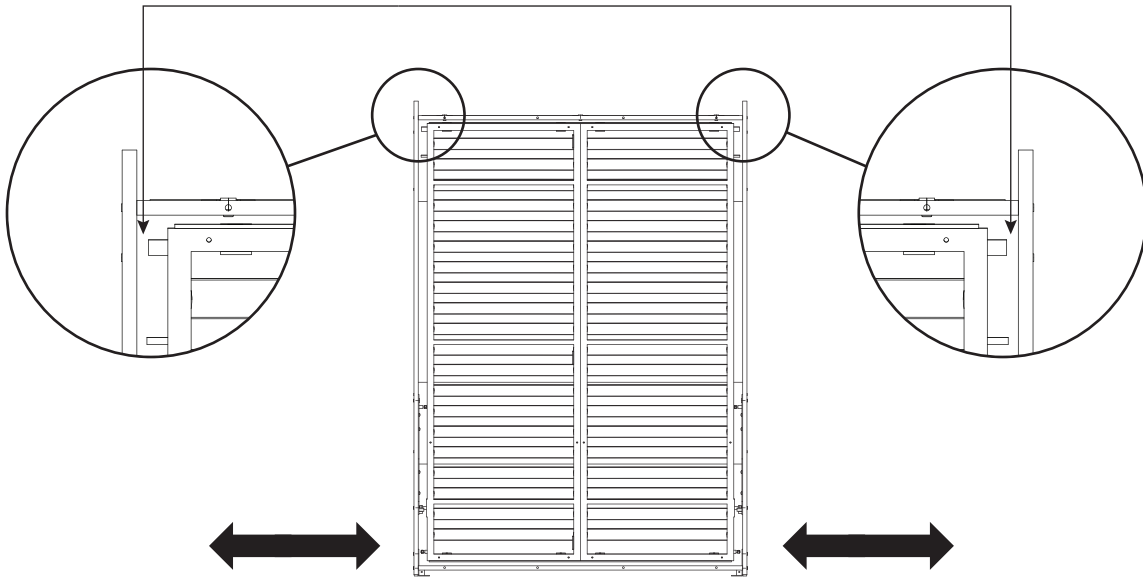
DO NOT ATTACH THE PISTON AT THIS STEP



Close the metal frame



Distance between metal frame and
wood gable must be the same each side

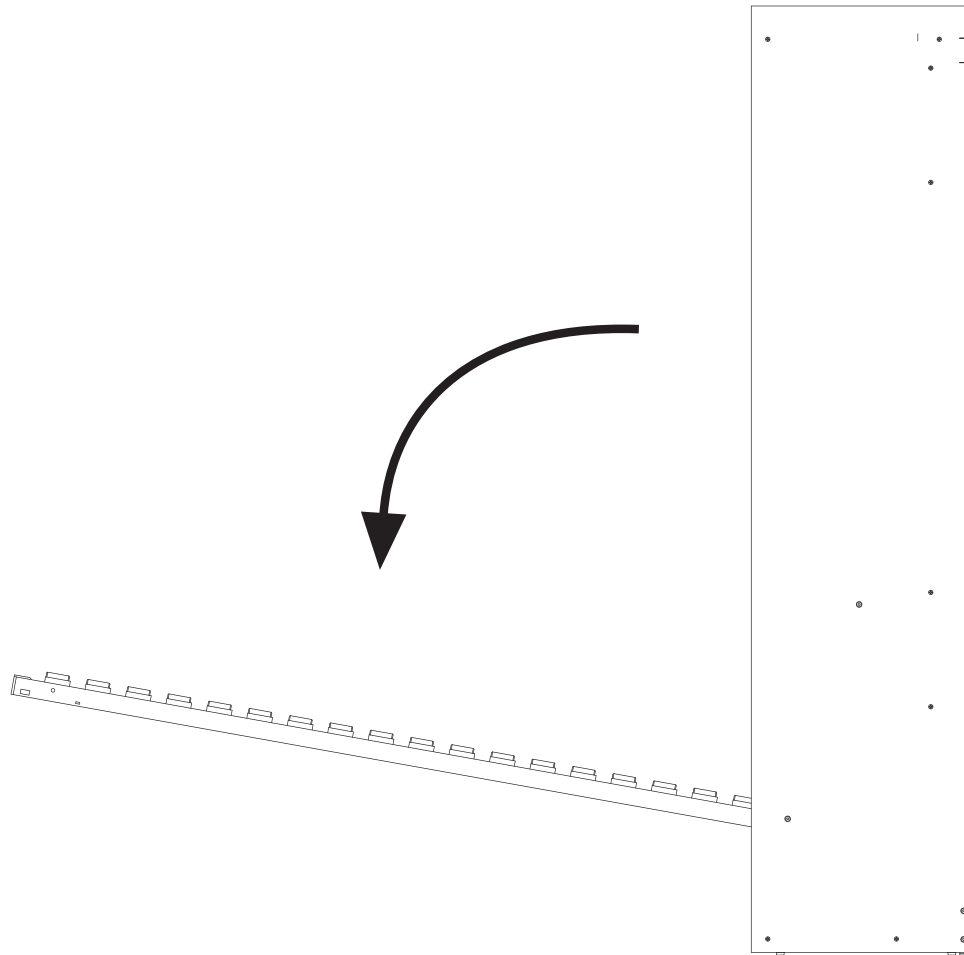


Move the base to adjust
the distance on top

13 Hardware installation & assembly
Murphy bed



**Open the metal frame.
Be careful to prevent
the base from shifting.**



14 Hardware installation & assembly
Murphy bed



Code	H206517	H206518
Qty	x 4	x 2

IMPORTANT WARNINGS



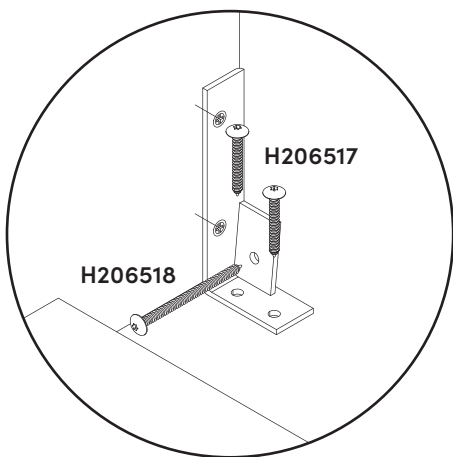
Risk of serious injuries if the wall bed tips over.

To prevent wall bed from tipping over, mount it permanently to the wall.

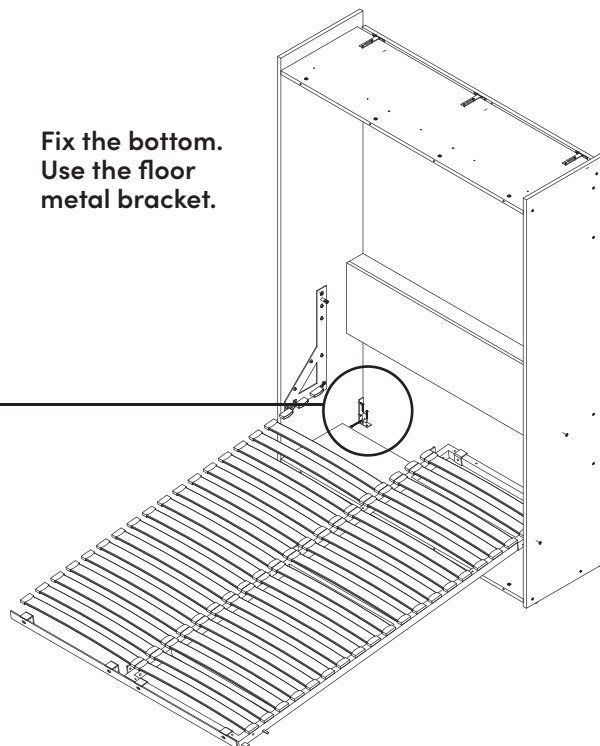
Only a qualified person* must carry out the installation and any possible adjustment of the wall bed (including disassembly). If the wall bed is not firmly mounted (anchored) to the wall, it might tip over and cause serious injuries to the installer, users of the bed as well as the people near the bed.

The choice of wall anchoring depends on the type of wall. Use wall anchors suitable for the wall material.

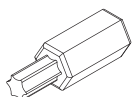
Use 2 floor screws (H206517)
or one wall screw (H206518)
or both on each floor bracket.



Fix the bottom.
Use the floor
metal bracket.



Supplied bit
for screws
(H206514)

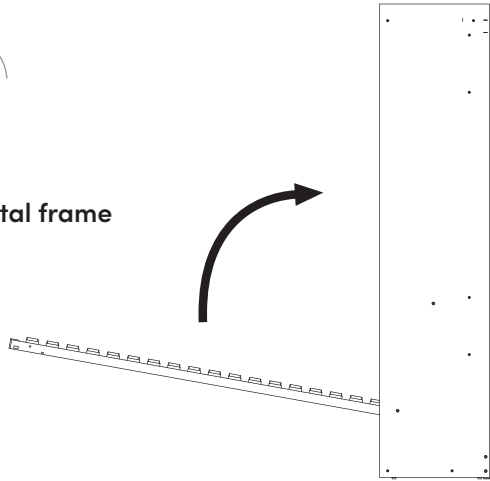


IMPORTANT

Take note that after the installation of the pistons, it will be very difficult to open the bed. Follow the steps until the end, put the mattress on, and the bed will open without effort.

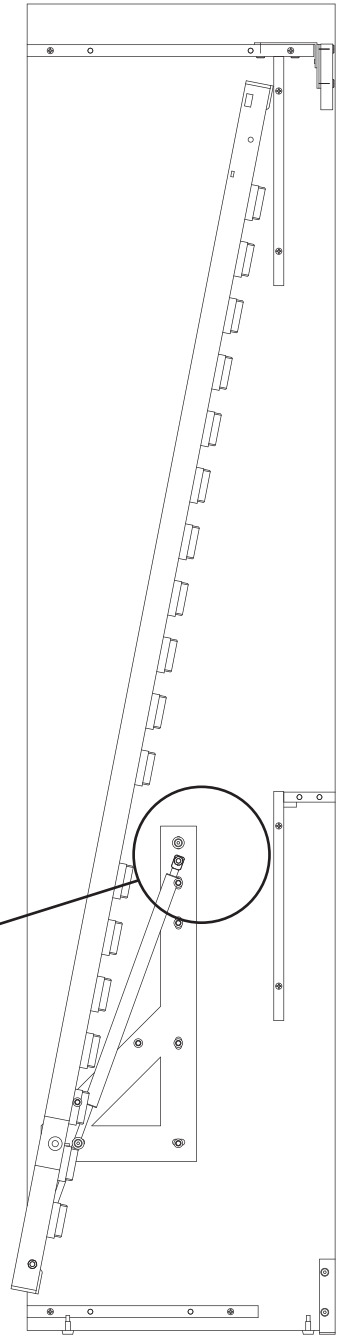
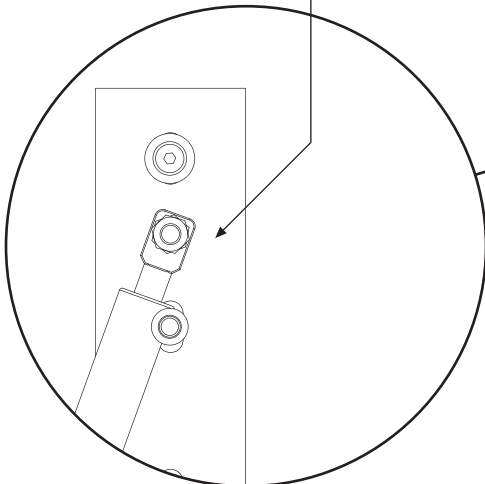
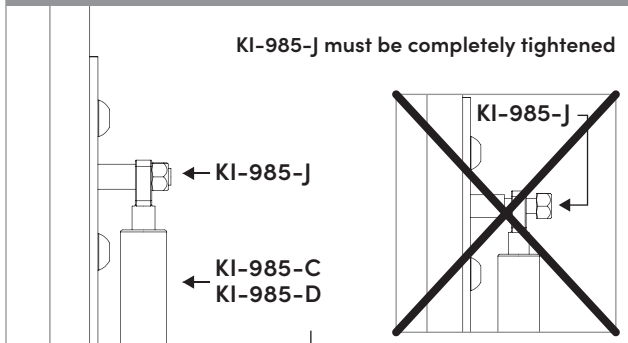


Close the metal frame



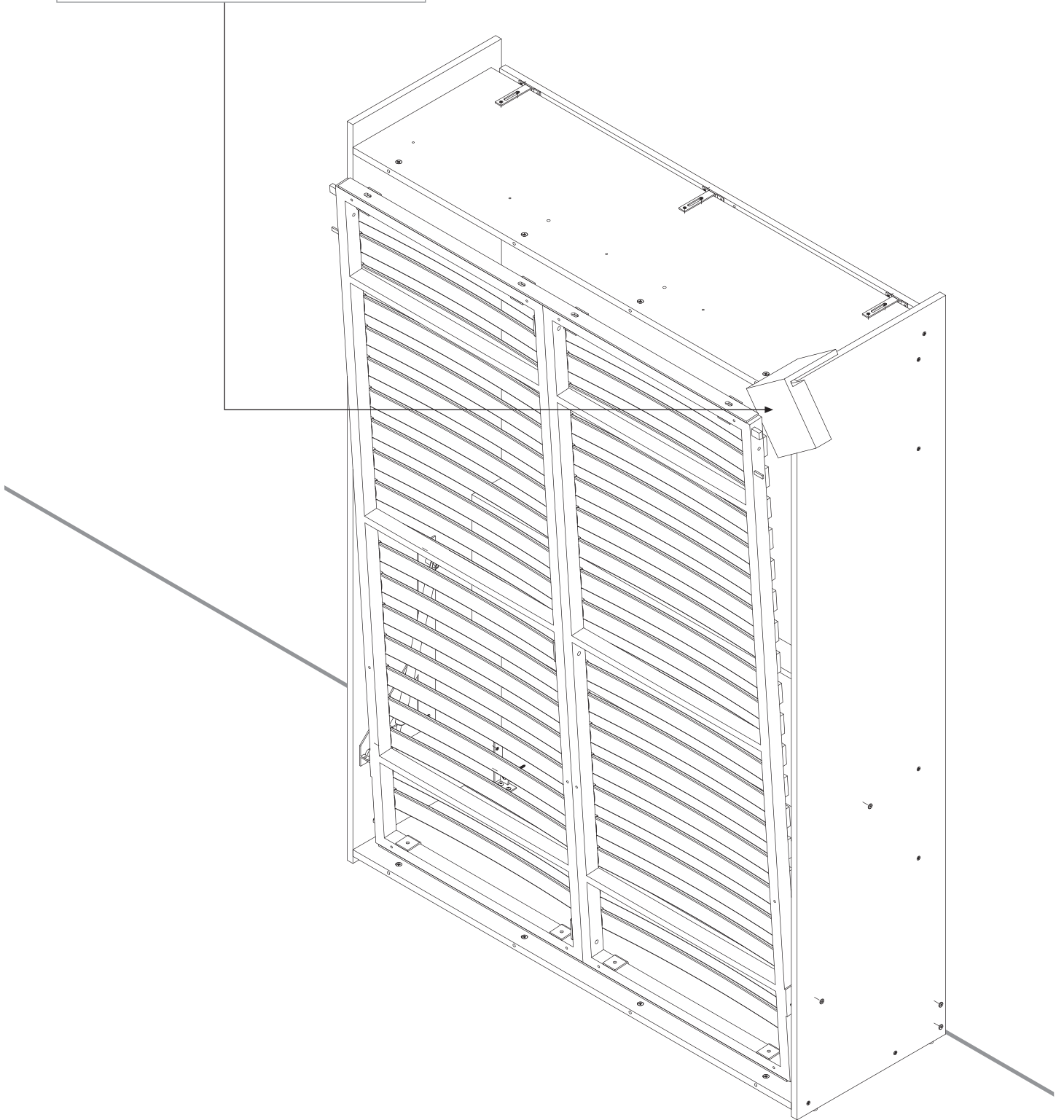
INSERT CYLINDER ON ITS SUPPORT ROD

KI-985-J must be completely tightened


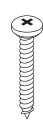


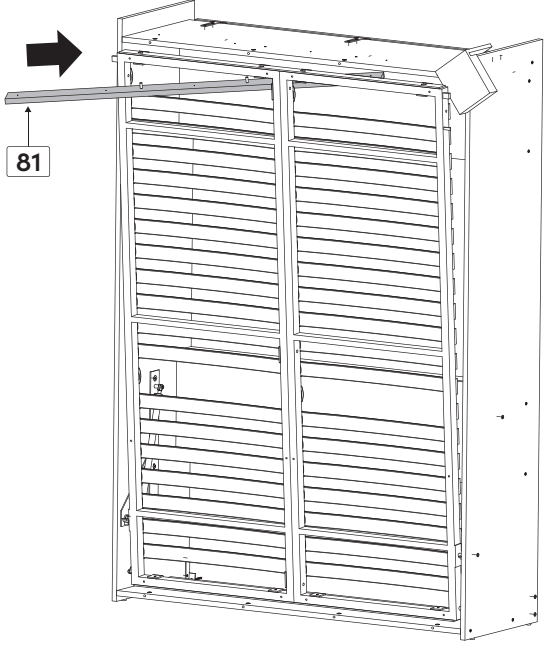
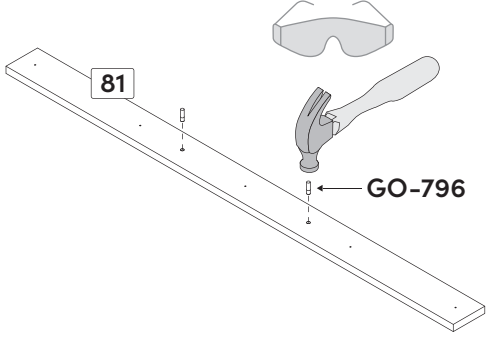
IMPORTANT

Use one of the cardboard corner pieces from packaging or similar object to keep the bed in semi-closed position for the following steps.

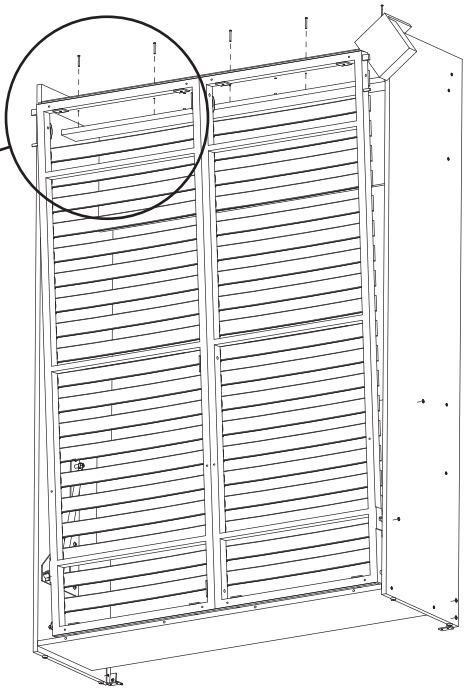
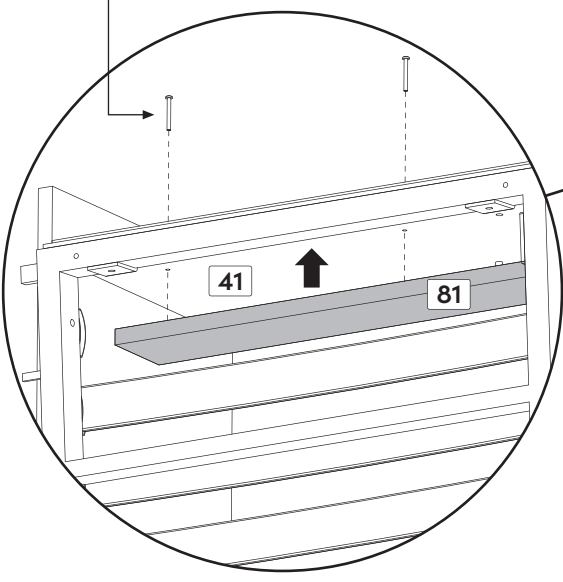
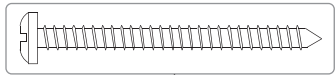


17 Hardware installation & assembly
Murphy bed

		
Code	GO-796	VR-213
Qty	x 2	x 5

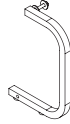
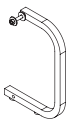


VR-213

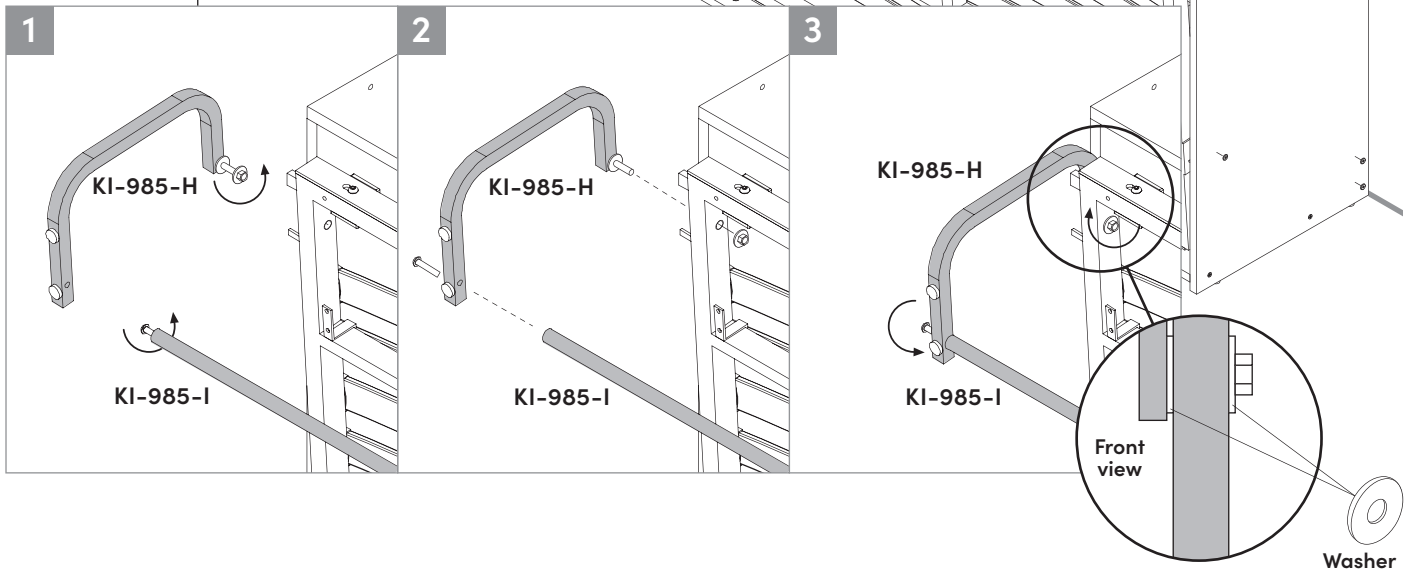
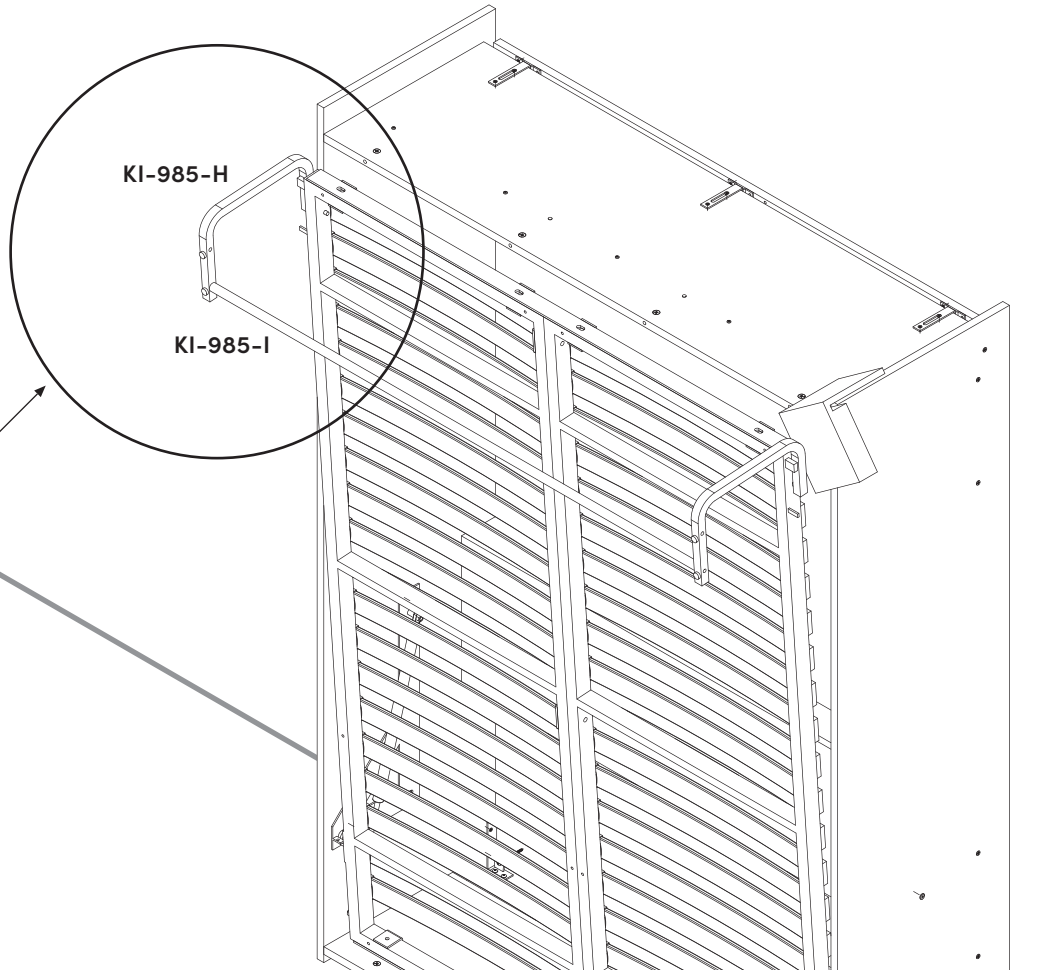


18 Hardware installation & assembly

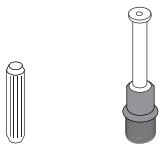
Murphy bed



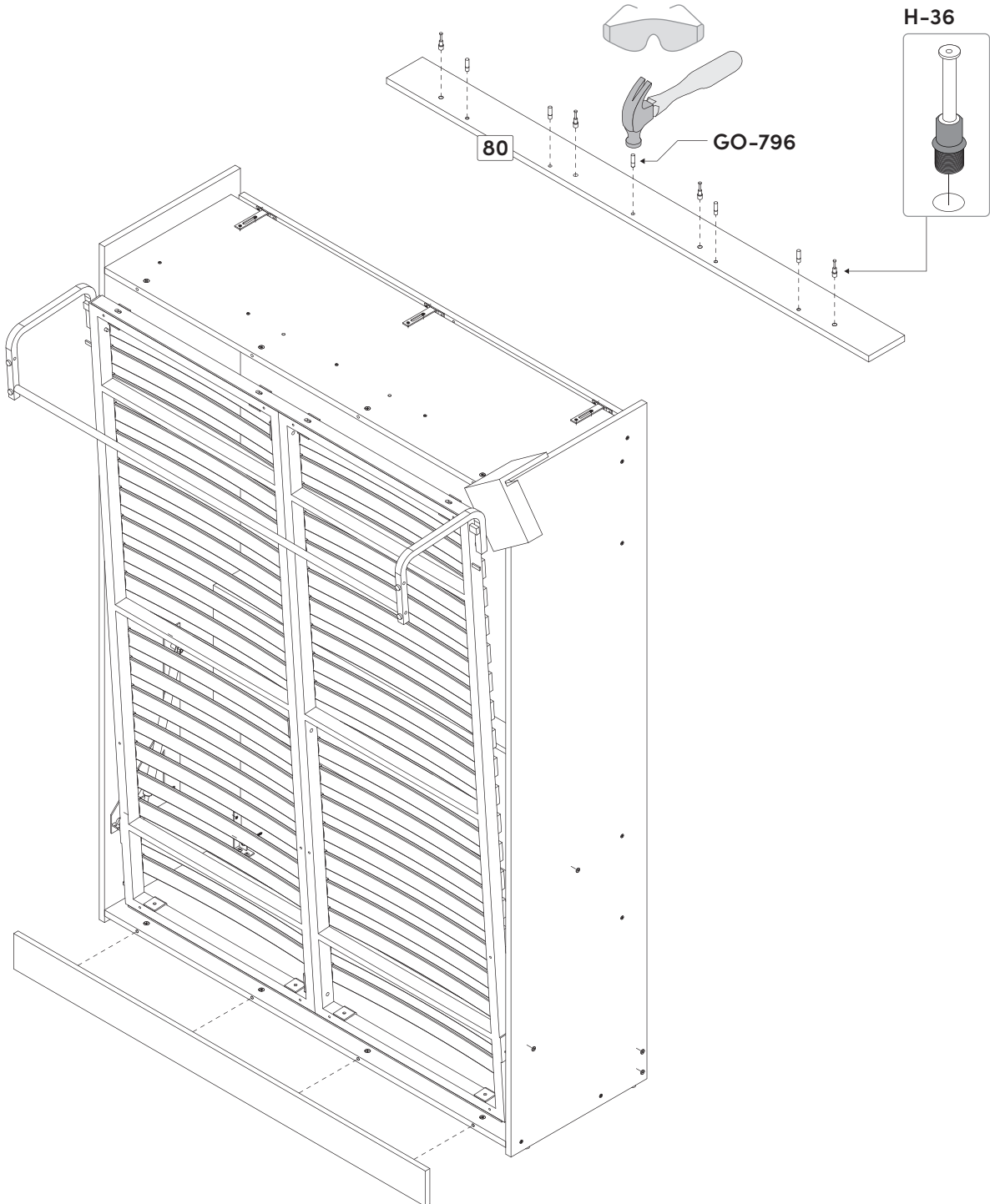
Code	KI-985-G	KI-985-H	KI-985-I
Qty	x 1	x 1	x 1




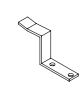
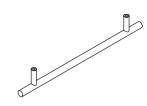
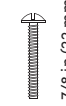
19 Hardware installation & assembly
Murphy bed

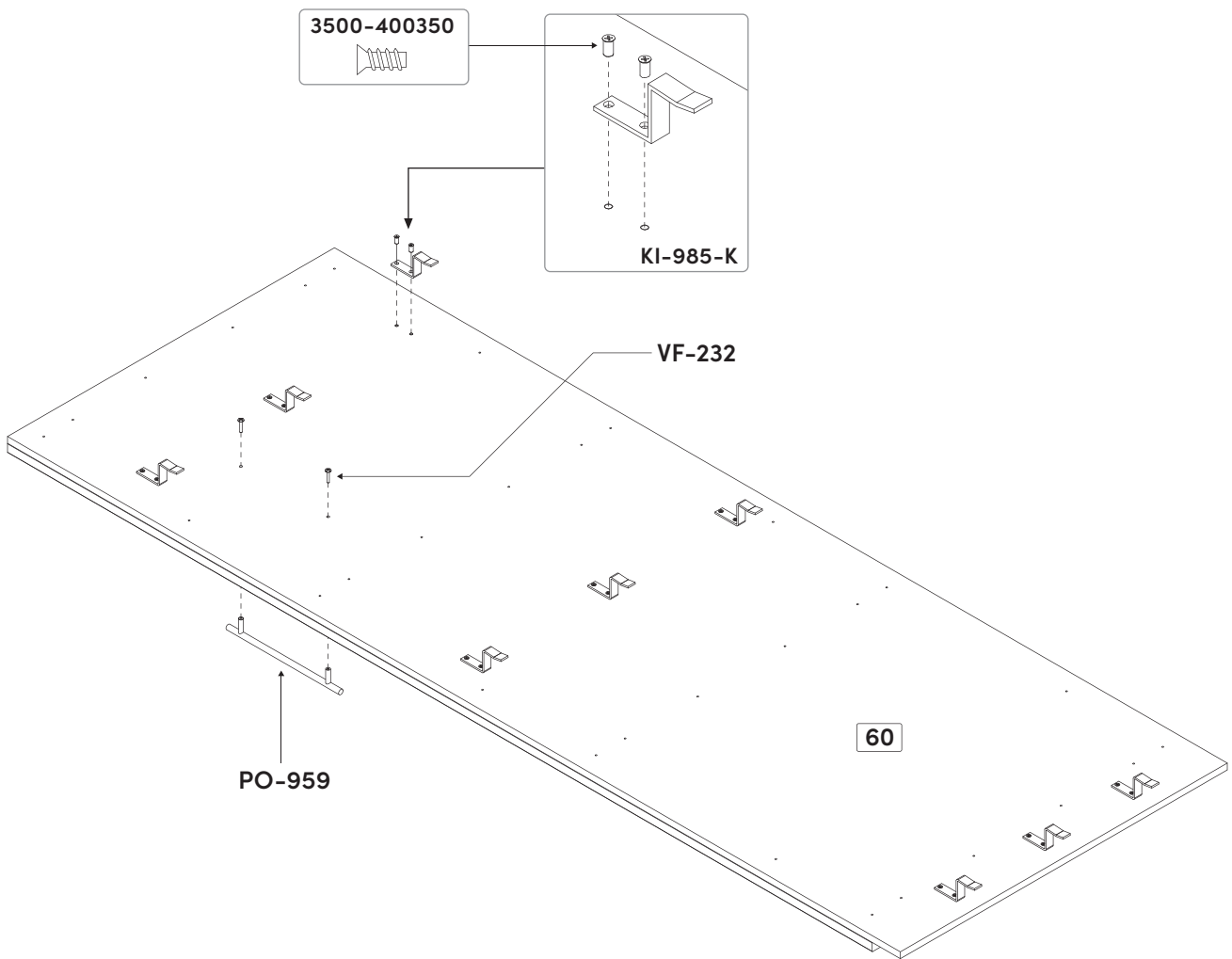


Code	GO-796	H-36
Qty	x 5	x 4


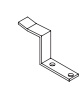
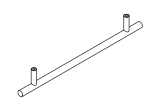
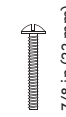


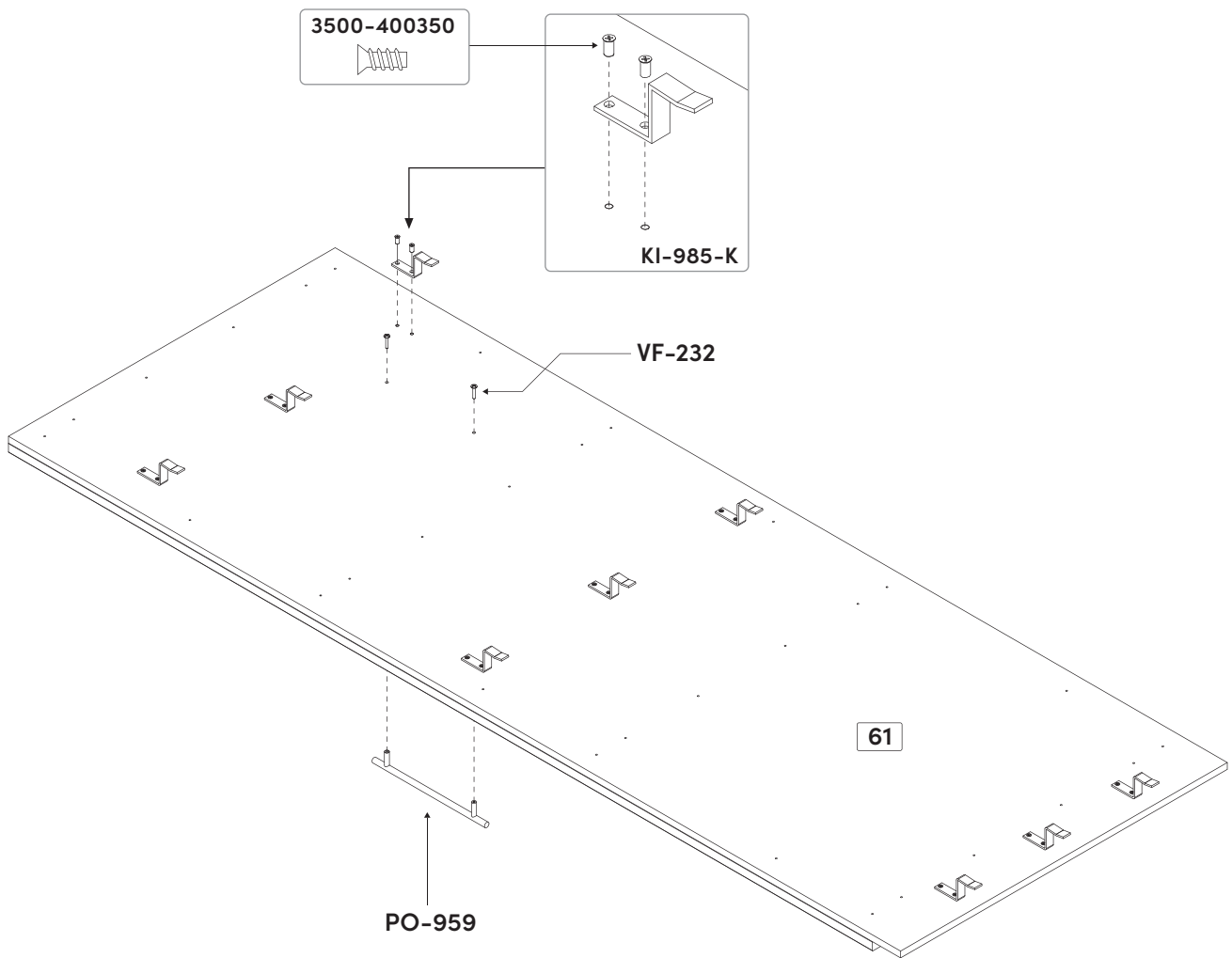
20 Hardware installation & assembly
Murphy bed

	 1/2 in (13 mm)			 7/8 in (22 mm)
Code	3500-400350	KI-985-K	PO-959	VF-232
Qty	x 18	x 9	x 1	x 2



21 Hardware installation & assembly
Murphy bed

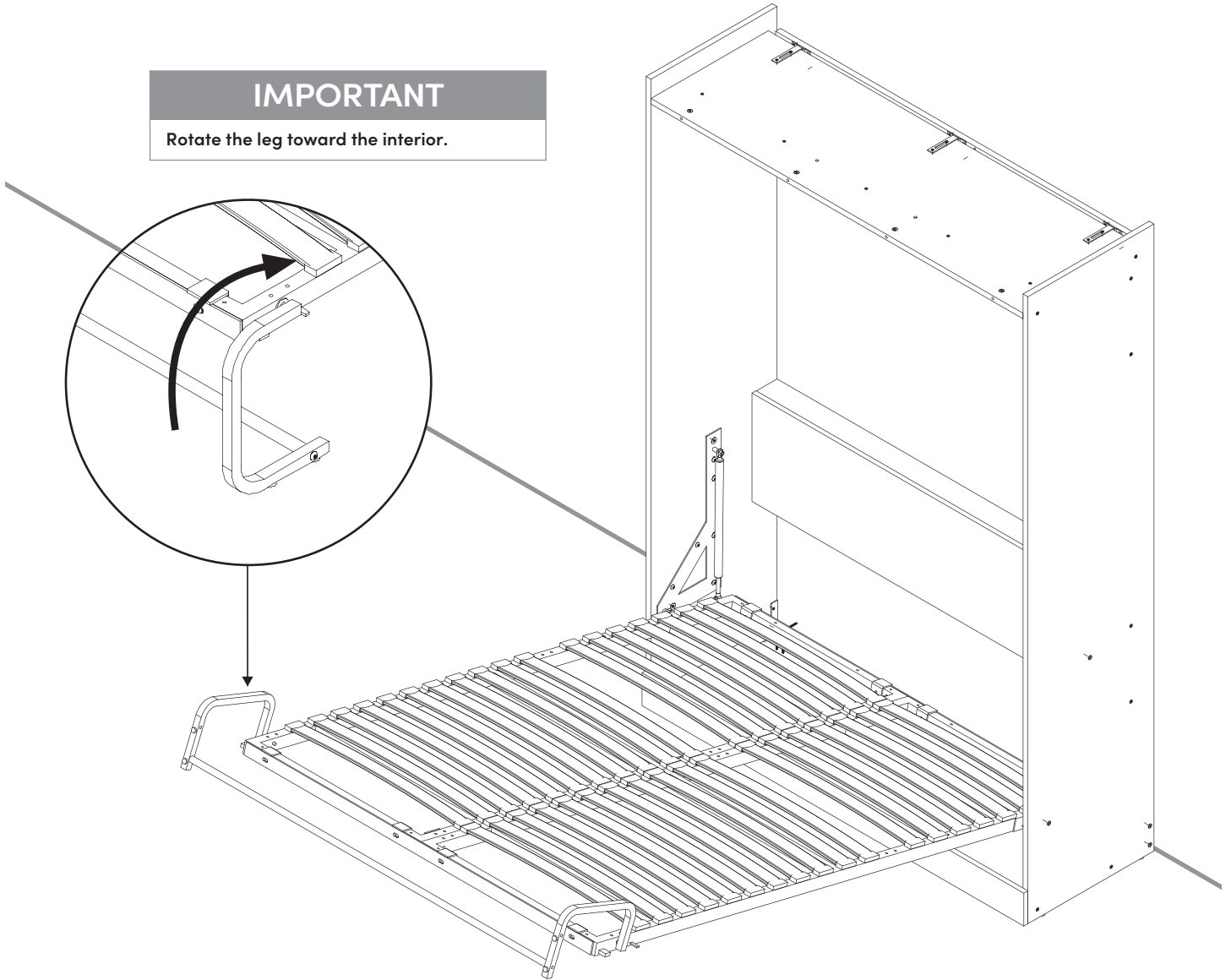
	 1/2 in (13 mm)			 7/8 in (22 mm)
Code	3500-400350	KI-985-K	PO-959	VF-232
Qty	x 18	x 9	x 1	x 2





IMPORTANT

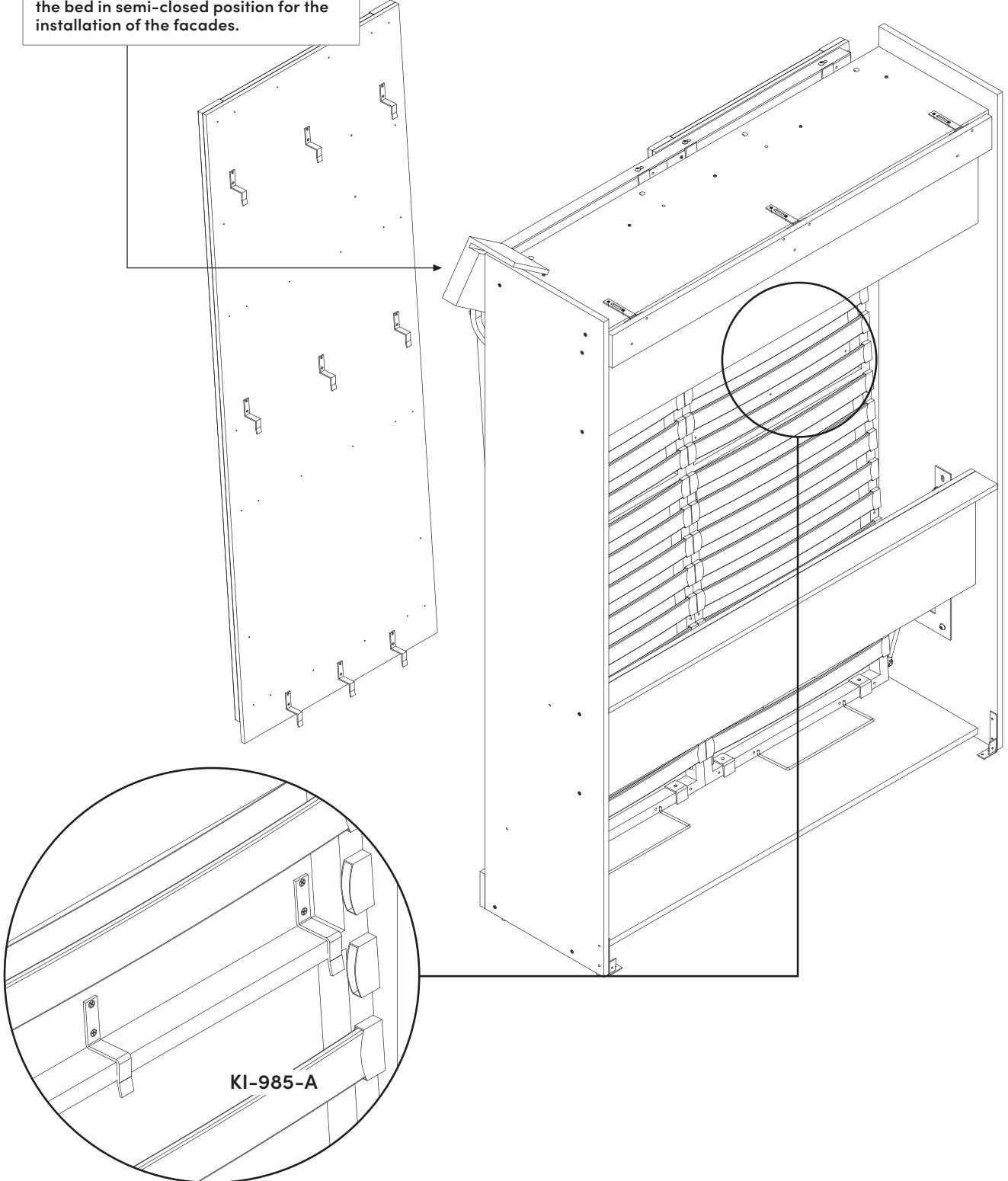
Rotate the leg toward the interior.





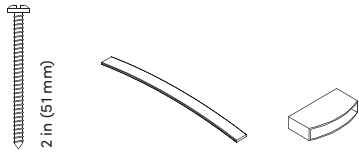
IMPORTANT

Use one of the cardboard corner pieces from packaging or similar object to keep the bed in semi-closed position for the installation of the facades.



KI-985-A

24 Hardware installation & assembly
Murphy bed



Code	VR-215	KI-985-R	KI-985-S
Qty	x 12	x 4	x 8

ATTENTION

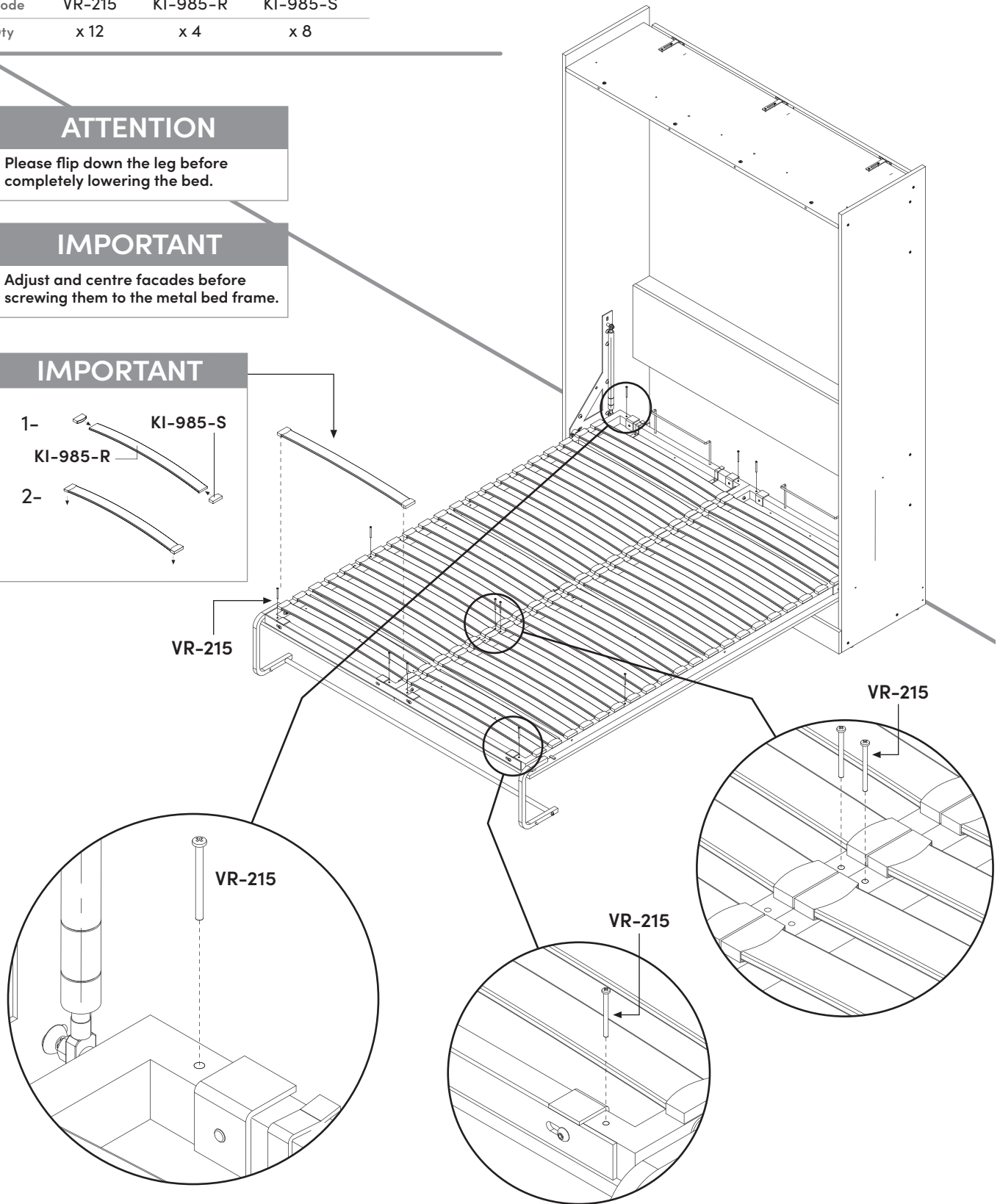
Please flip down the leg before completely lowering the bed.

IMPORTANT

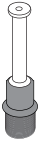
Adjust and centre facades before screwing them to the metal bed frame.

IMPORTANT

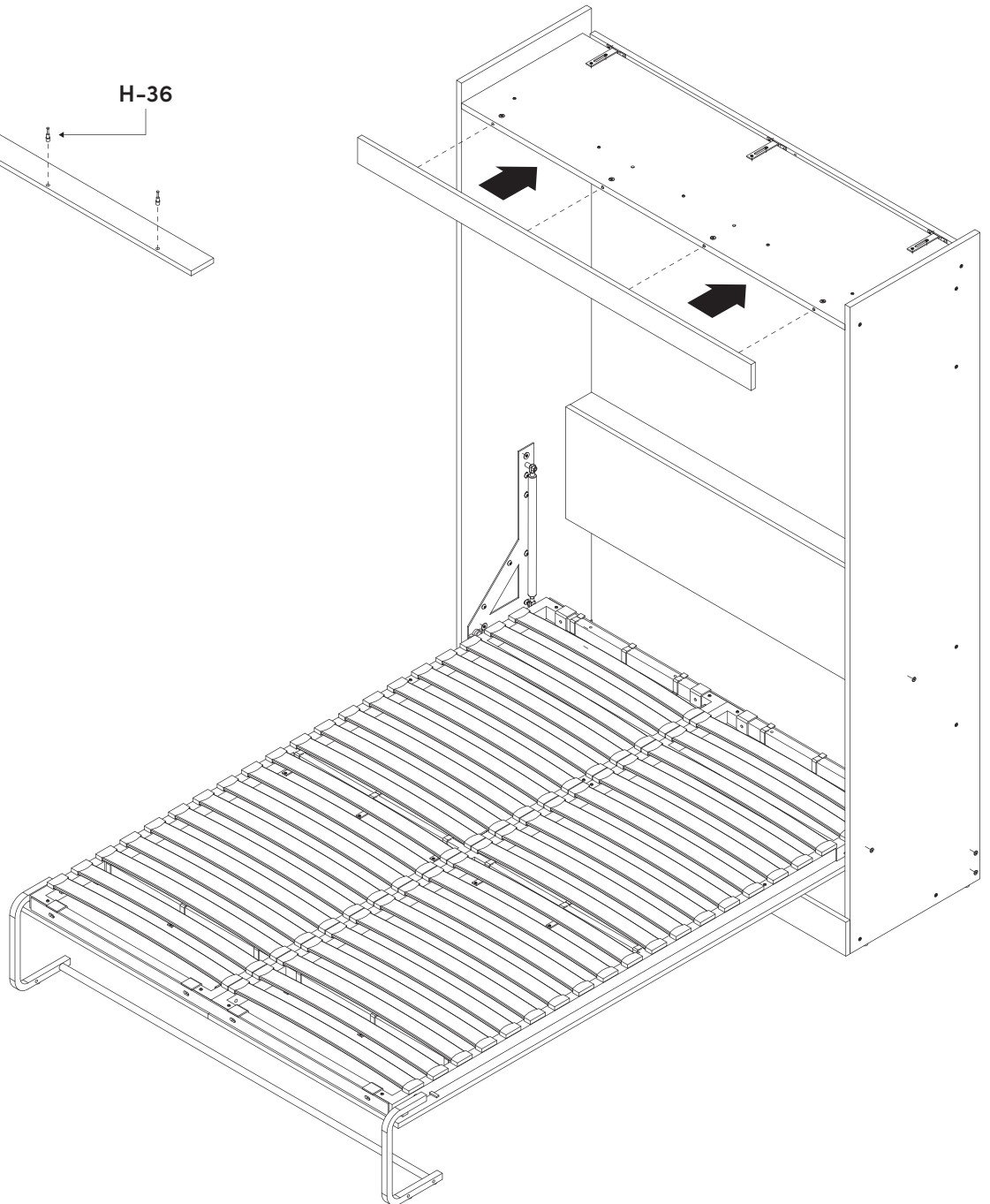
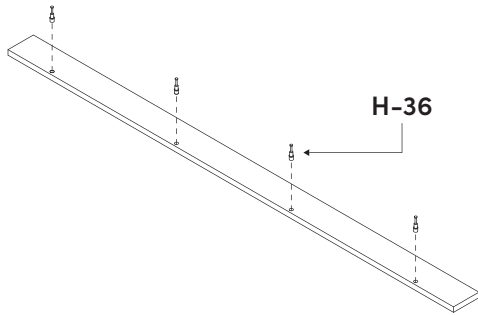
- 1- KI-985-S
- KI-985-R
- 2-



25 Hardware installation & assembly
Murphy bed



Code **H-36**
Qty **x 4**



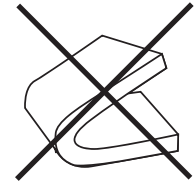
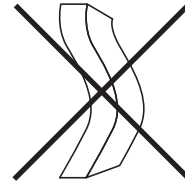
Important Notice

IMPORTANT

MINIMUM AND MAXIMUM WEIGHT OF THE MATTRESS

The weight of the mattress must be between:
60 Lb (27 Kg) and 90 Lb (41 Kg).

Please make sure that the size of your mattress is suitable for your wall bed (60 x 80 in / Queen (1524 x 2032 mm) or 54 x 75 in / Double (1371 x 1905 mm)).



OTHER IMPORTANT WARNINGS

- Never close the bed with a person on the mattress, this could cause serious injuries and damage the bed mechanism.
- Never jump on the bed or leave a young child playing alone in the bed. This could cause the person to fall and could also damage the bed mechanism.
- Never close the bed with the lights on. Do not leave an electric blanket or any other sources of heat inside the closed cabinet. This could cause a fire.
- Do not leave anything on the bed which could prevent to close it properly (pillows, decorative cushion, plush toys, etc.). This can cause an unexpected or unintended opening of the bed that can cause serious injuries to people in the vicinity.
- Your bed can hold a maximum weight (static and uniformly distributed) of 1000 lb (455 Kg), including the weight of the mattress.
- Do not apply any weight on the facades, such as frames, shelves, hooks.
- The wall bed must always rest on its legs when it is open. If this is not the case, you could damage the bed mechanism and/or the door of the bed and/or the floor. Before closing the bed, always flip the leg inward to not damage the furniture.
- If the bed mechanism or a panel is damaged for any reason, please stop using the bed and contact us to get the instructions and the parts required for the repair (if possible). Do not continue to use a damaged bed and don't try to fix it yourself without instructions from us. This could cause a malfunction, an unexpected or involuntary opening or closing or a collapse of its structure, which can cause serious injuries to people in the vicinity.

WE AND ITS DISTRIBUTORS (AND THEIR RESPECTIVE OFFICERS, DIRECTORS, AGENTS AND SERVANTS) SHALL NOT BE LIABLE OR OBLIGATED IN ANY MANNER FOR ANY DIRECT, PUNITIVE, EXEMPLARY, SPECIAL, INDIRECT, INCIDENTAL OR CONSEQUENTIAL DAMAGES OF ANY KIND, REGARDLESS OF THE FORM OF ACTION, WHETHER IN CONTRACT, TORT, NEGLIGENCE, STRICT PRODUCT LIABILITY OR OTHERWISE, ARISING OUT OF OR IN CONNECTION WITH IMPROPER ANCHORING OF THE BED OR NON-COMPLIANCE TO THE ANCHORING PROCEDURE OF THIS DOCUMENT.

DISASSEMBLY

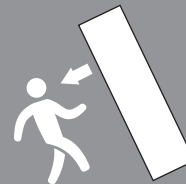
Important information to read before starting the disassembly.
Keep this information for future reference.

IMPORTANT WARNINGS

Bed may tip over and you may be seriously injured if you don't follow these instructions.

- Only a professional or qualified person * must proceed with the disassembly of the wall bed, as well as the reinstallation and any possible adjustment.
- Improper disassembly of the wall bed may cause serious injuries to the installer as well as the people near the bed.

THE BED SHOULD REMAIN ANCHORED TO THE WALL FOR THE FOLLOWING STEPS (1 TO 9).

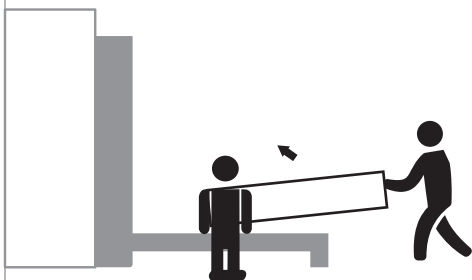


* **Qualified person:** It is necessary to have a good understanding of the wall anchors that were used during the original installation on your wall structure of wood, metal, masonry or any other type of wall. If you don't have the necessary skills, make sure that the disassembly is done by someone who has the qualifications and required knowledge, and that he or she follows the required steps. When you choose the installer, make sure to comply with all applicable regulations in the province, state or country where the furniture is installed.

The company is released from any responsibility and will void the warranty if the disassembly is not performed according to the instructions in this manual. We and its distributors (and their respective officers, directors, agents and servants) shall not be liable or obligated in any manner for any direct, punitive, exemplary, special, indirect, incidental or consequential damages of any kind, regardless of the form of action, whether in contract, tort, negligence, strict product liability or otherwise, arising out of or in connection with improper anchoring of the bed or non-compliance to the anchoring procedure of this document.

IMPORTANT: THE BED SHOULD REMAIN ANCHORED TO THE WALL FOR THE FOLLOWING STEPS (1 TO 9).

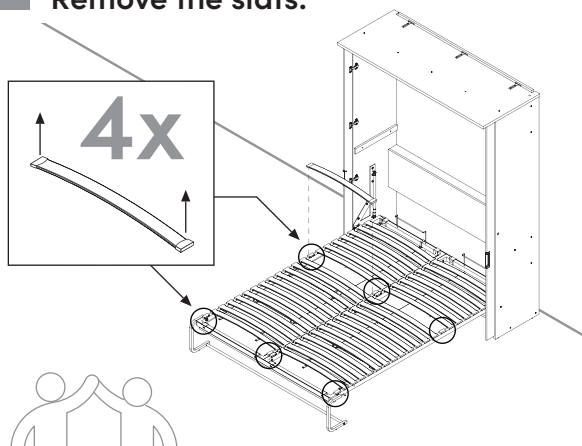
1 Remove the mattress.



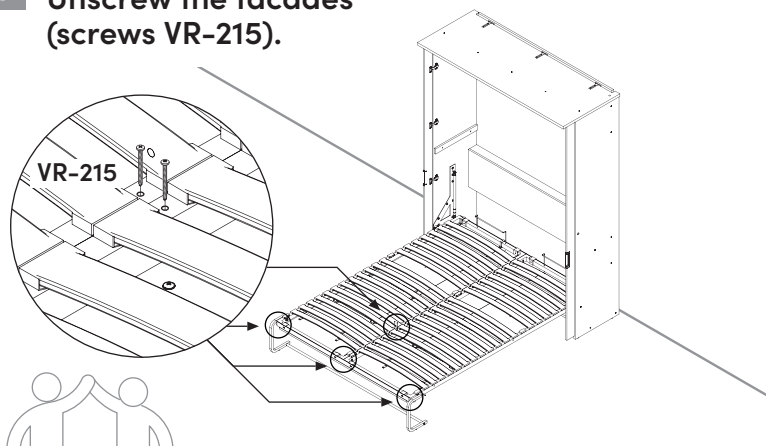
By removing the mattress, the bed frame will rise quickly. Have a helper hold the frame down while removing the mattress.



2 Remove the slats.

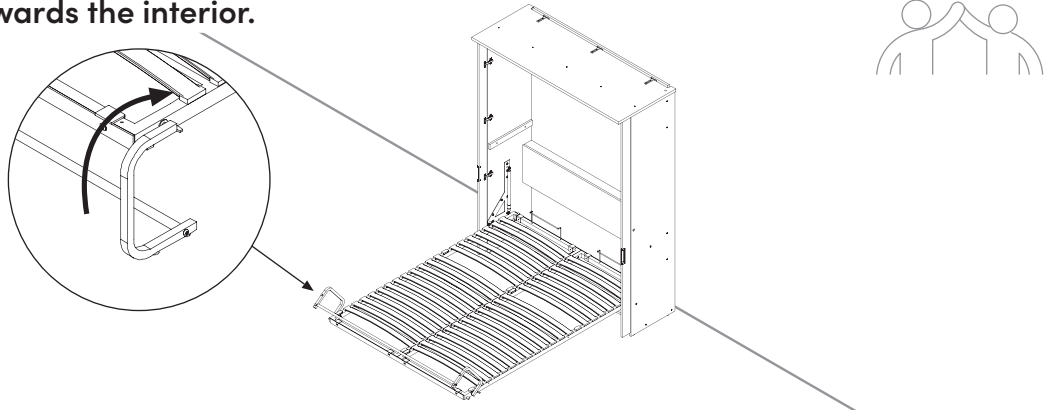


3 Unscrew the facades (screws VR-215).

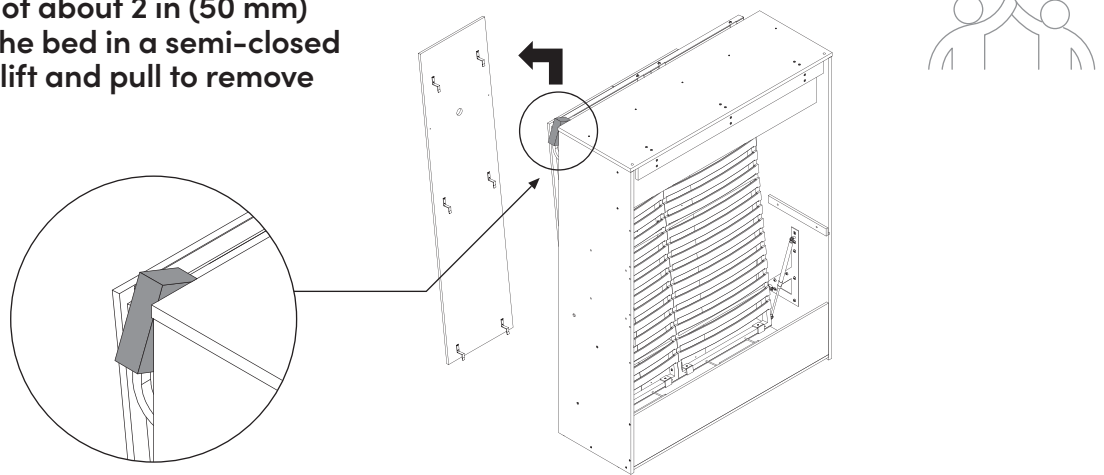


DISASSEMBLY

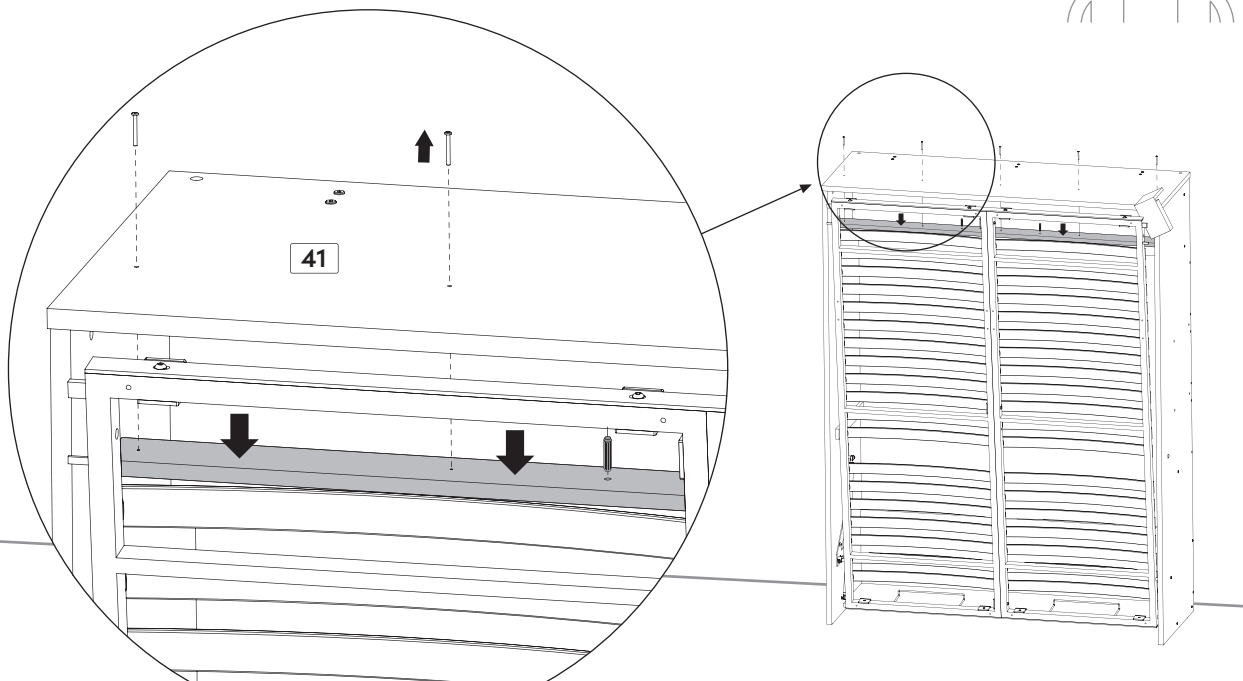
4 Rotate the leg towards the interior.



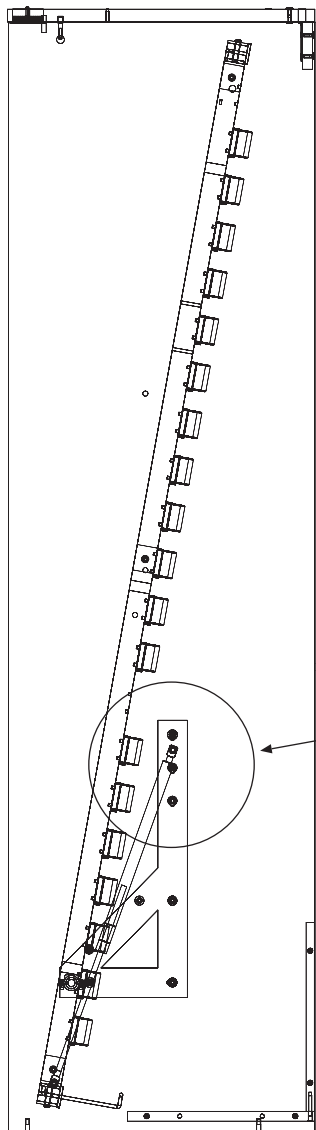
5 Use an object of about 2 in (50 mm) thick to keep the bed in a semi-closed position, then lift and pull to remove the facades.



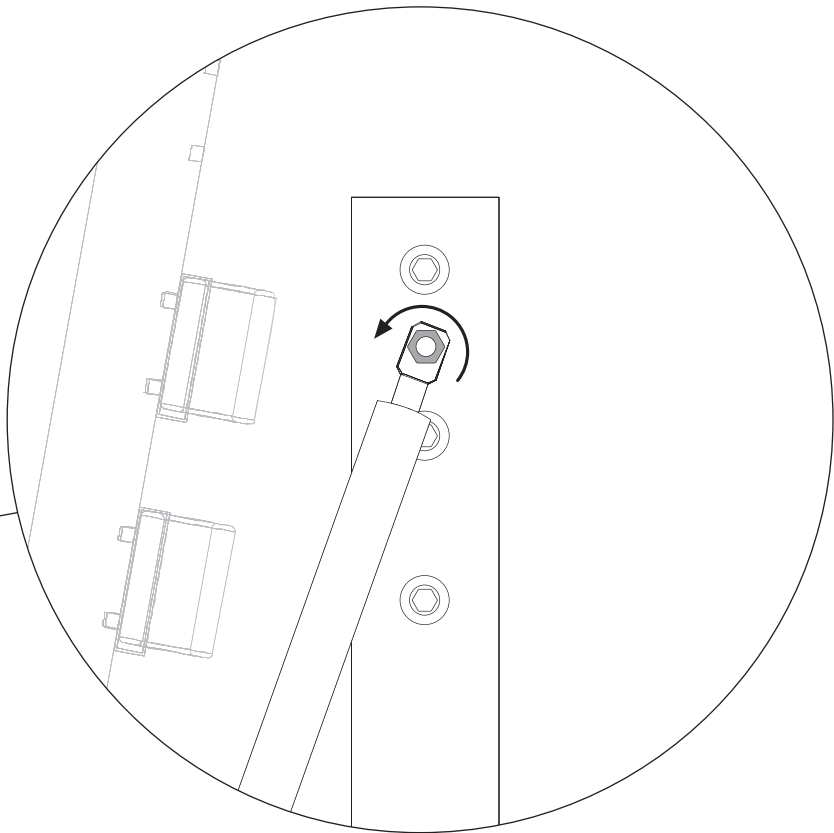
6 Take off the stop molding by removing the 5 screws on top.



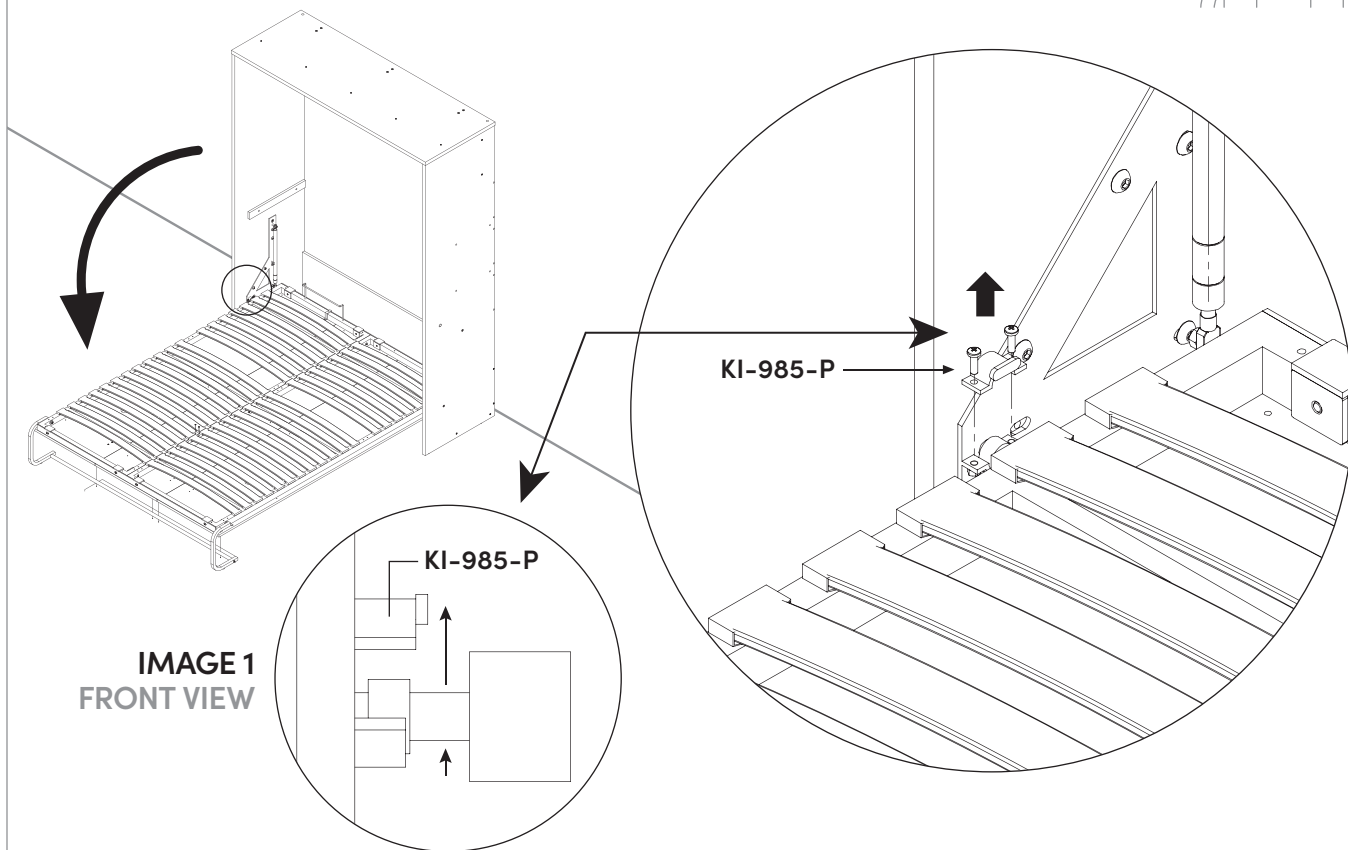
7 Let the bed frame sink back into the cabinet and remove the cylinders.



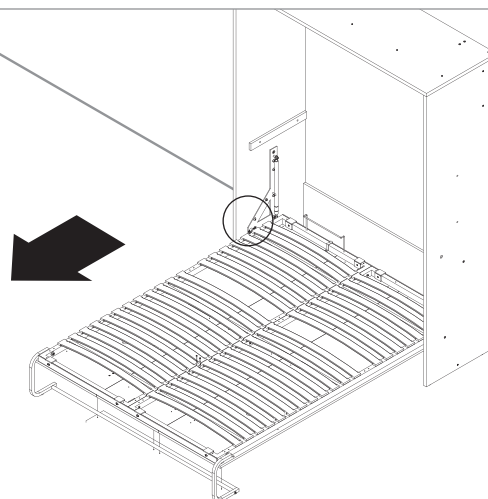
UNSCREW THE FASTENER AND REMOVE THE END OF THE CYLINDER FROM THE "L" BRACKET.



8 Unscrew and remove the bearing supports.



9 Lift the metal bed frame from the brackets.



10 Now you can unscrew the bed from the wall and continue the disassembly.