

ASSEMBLY INSTRUCTION



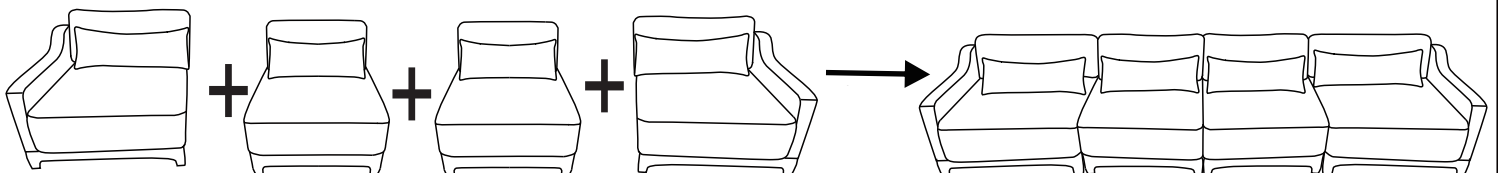
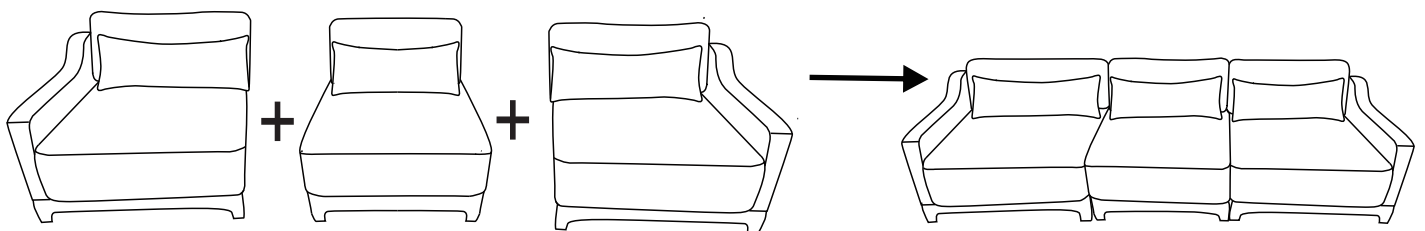
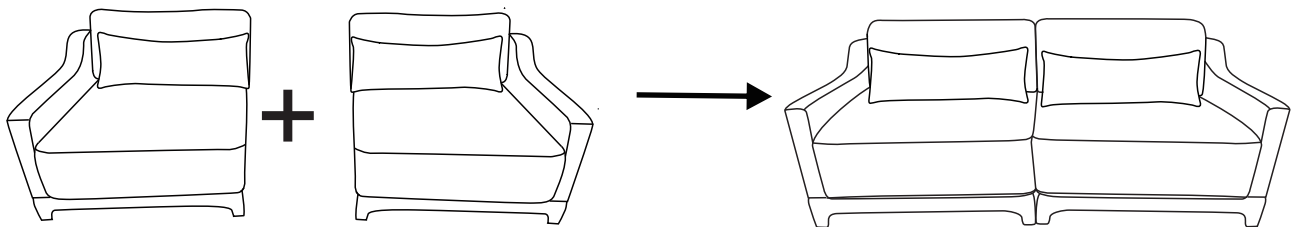
This instruction booklet contains important safety information , please read and keep for future reference.

This sofa collection works as modular sofa function, started as 2 seater sofa with left and right section, you can buy more components such as armless middle seat and ottoman to make it as 3- seater sofa, 4- seater sofa, L shape sectional, U shape sectional or sofa set. Measure your living room size before you make a decision to buy more components to ensure all sofa section are well fit your living room area.

To ensure safe and satisfactory use of this product, please carefully read the below instructions before hand.

- 1.This sofa ships in several boxes,we recommend unpacking and starting assembly when several boxes are received.
- 2.Our cushions are vacuum packed for convenient shipping. Please allow 2-3 days for them to fully expand to their original shape and for any wrinkles to disappear.
- 3.In the event that a part is damaged or missing,no need to return the product,we will gladly help and ship your replacement parts free of charge.

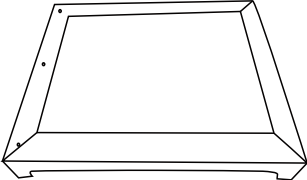
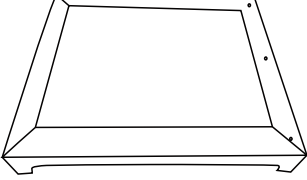
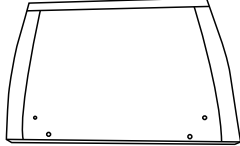
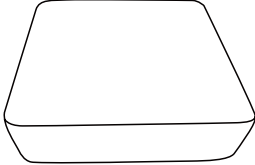

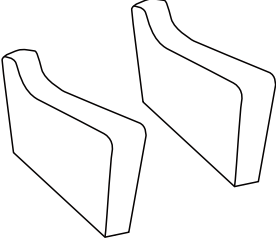
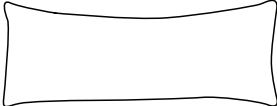
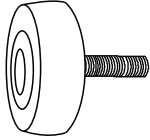
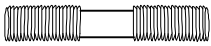

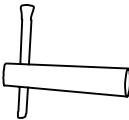
Below are some guidelines for you how you can do mix and match.



Assembly Instructions

IF YOU BUY 2 SEATER SOFA
please follow below assembly instruction

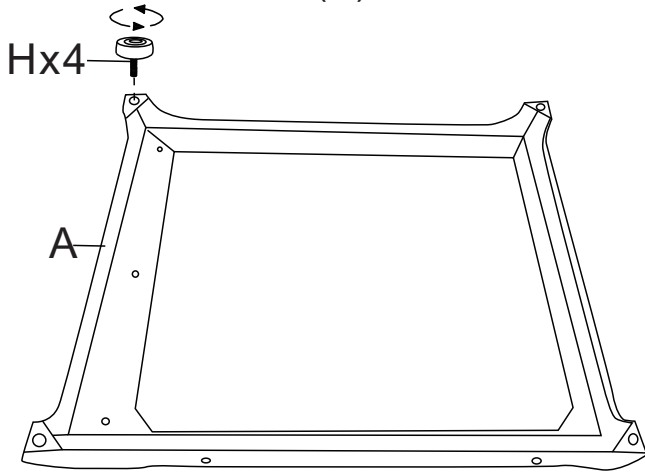
Parts List

<p>A</p>  <p>Left seat frame*1</p>	<p>B</p>  <p>Right seat frame*1</p>	<p>C</p>  <p>Backrest*2</p>
<p>D</p>  <p>Seat cushion*2</p>	<p>E</p>  <p>Back cushion*2</p>	<p>F</p>  <p>Arm*2</p>
<p>G</p>  <p>Pillow*2</p>	<p>H</p>  <p>Leg*8</p>	<p>I</p>  <p>Bolt*8 M8*80mm</p>
<p>J</p>  <p>Washer*8</p>	<p>K</p>  <p>Allen key*1</p>	

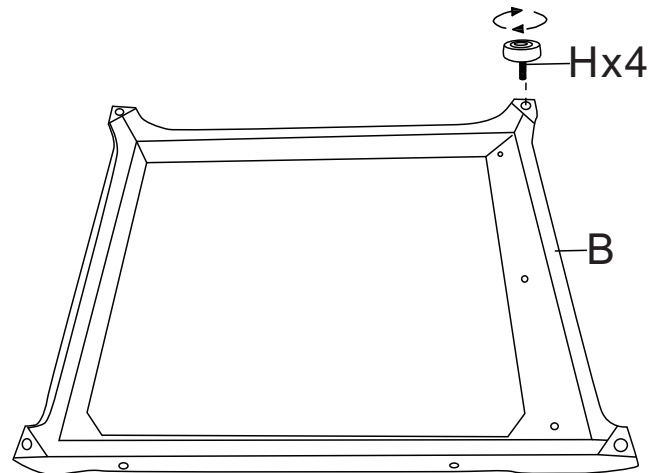
Note: Please retain all boxes until you are certain that your product isn't damaged and that you do not wish to return it. Disposal of boxes may prevent our ability to resolve your request.

STEP 1

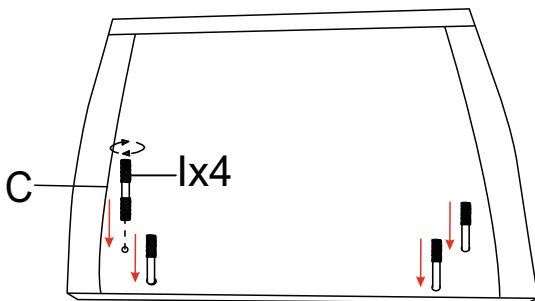
- ① Assemble the leg (H) to the left seat frame (A).



- ② Assemble the leg (H) to the right seat frame (B).

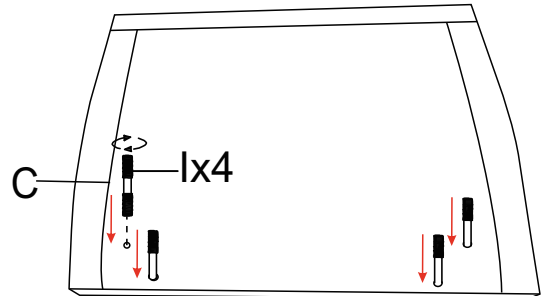


- ③ Pre-assemble the backrest (C) with Bolts (I).



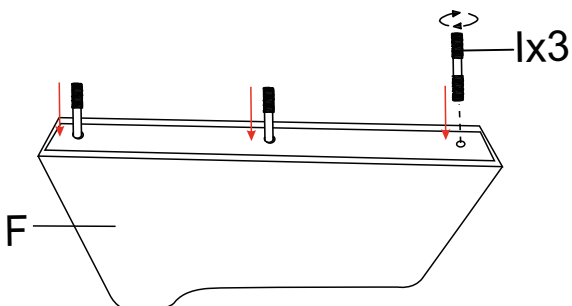
Backrest 1

- ④ Pre-assemble the backrest (C) with Bolts (I).



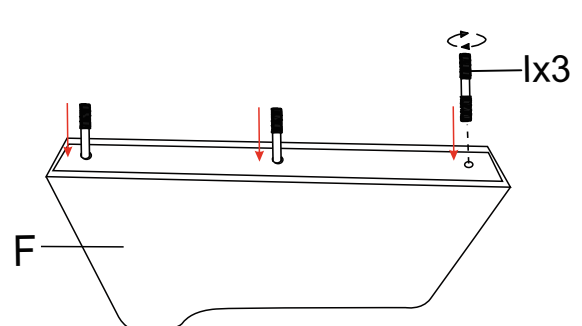
Backrest 2

- ⑤ Pre-assemble the arm (F) with Bolts (I).



Arm 1

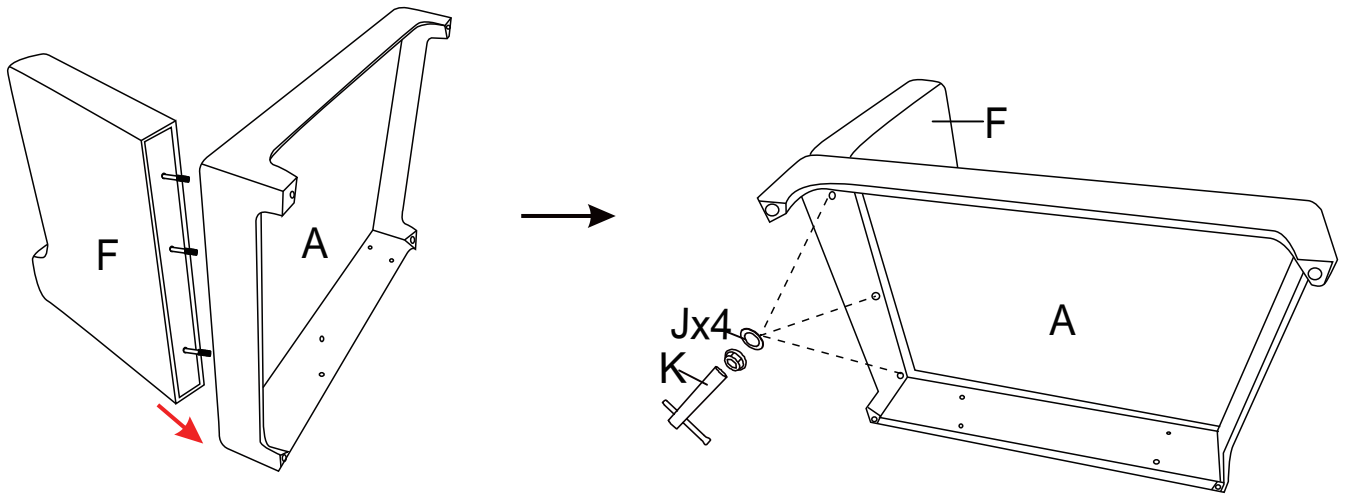
- ⑥ Pre-assemble the arm (F) with Bolts (I).



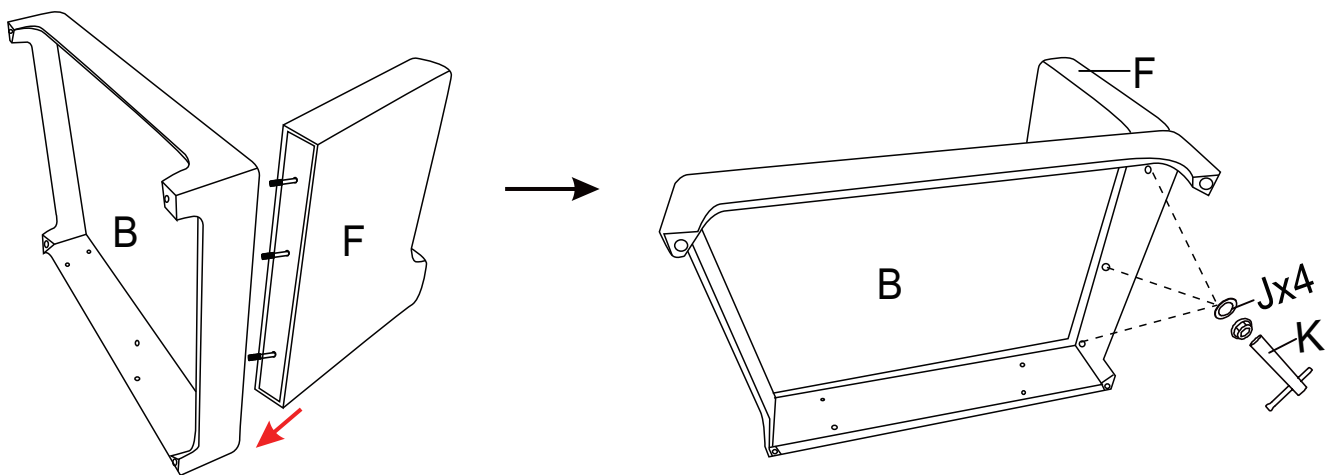
Arm 2

STEP 2

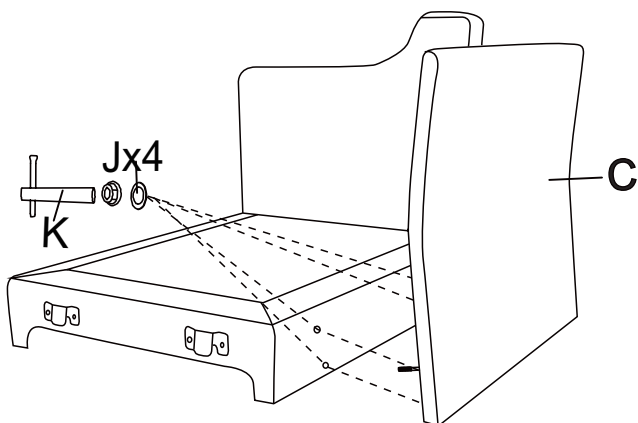
- ⑦ Assemble the arm (F) to the left seat frame (A) with washer (J).



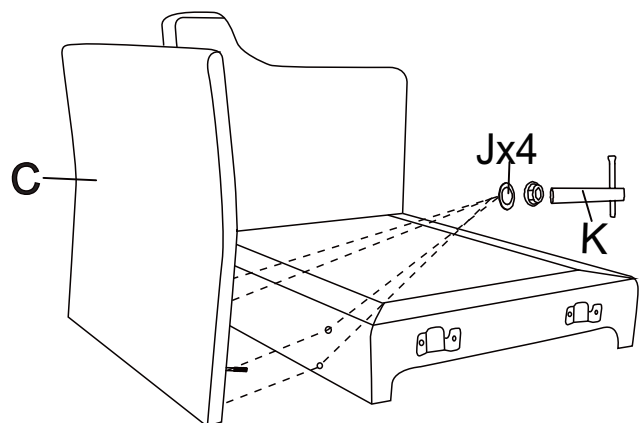
- ⑧ Assemble the arm (F) to the right seat frame (B) with washer (J).



- ⑨ Assemble the backrest (C) to the left seat frame (A) with washer (J).

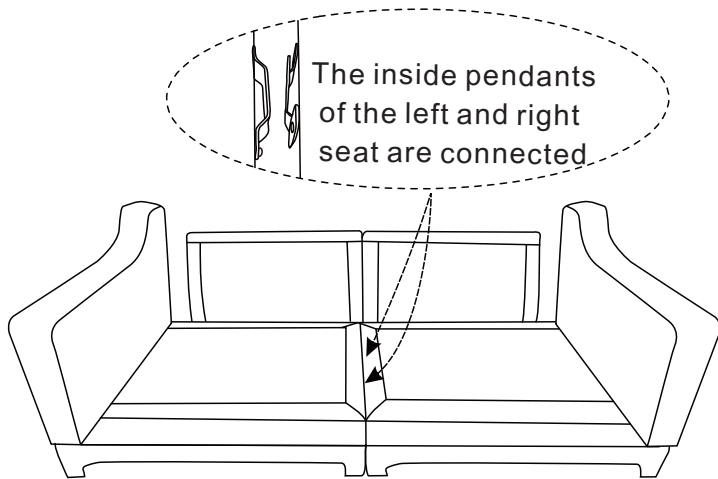


- ⑩ Assemble the backrest (C) to the right seat frame (B) with washer (J).

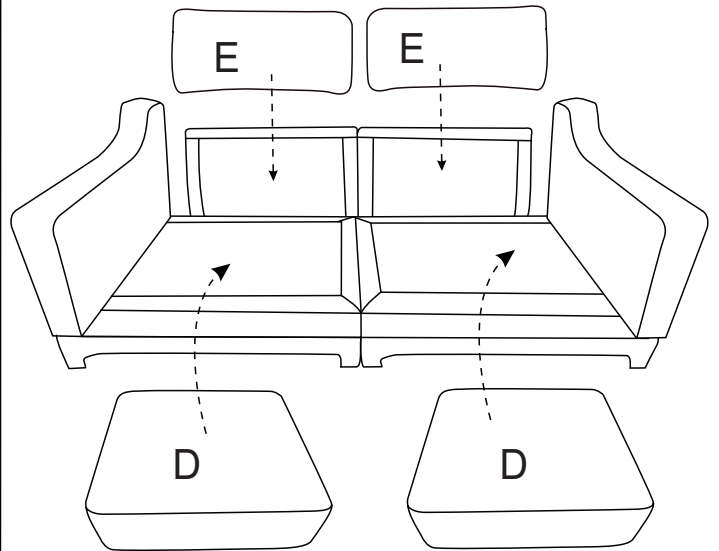


STEP 3

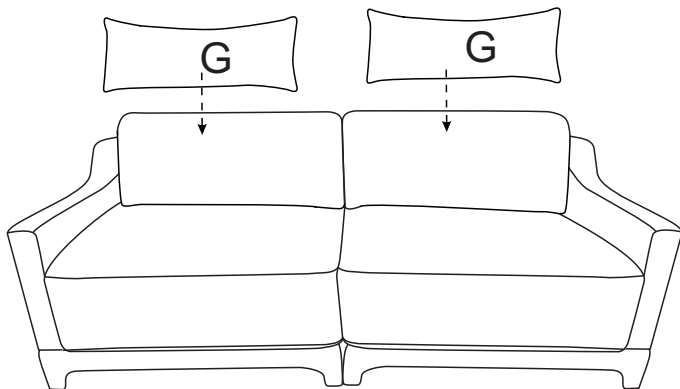
11 Insert the two mounts together.



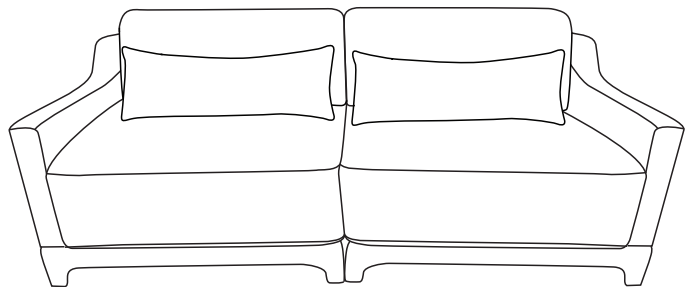
12 Put back cushion(E) and seat cushion (D) to the sofa.



13 Put pillow(G) to the sofa.



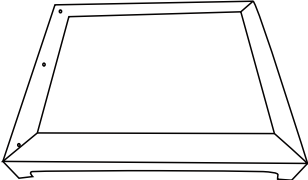
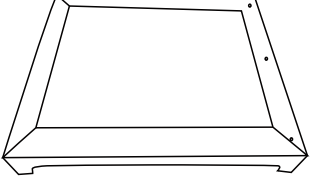
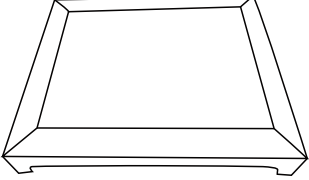
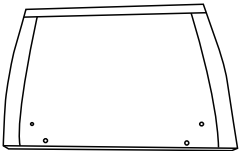

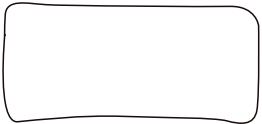
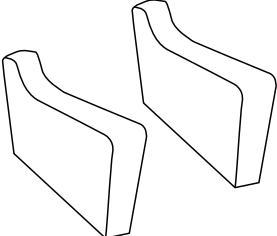
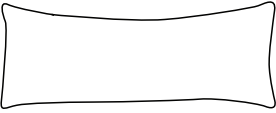
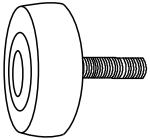
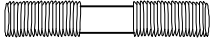

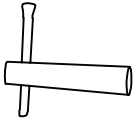
14 Completed .



Assembly Instructions

IF YOU BUY 3 SEATER SOFA
please follow below assembly instruction

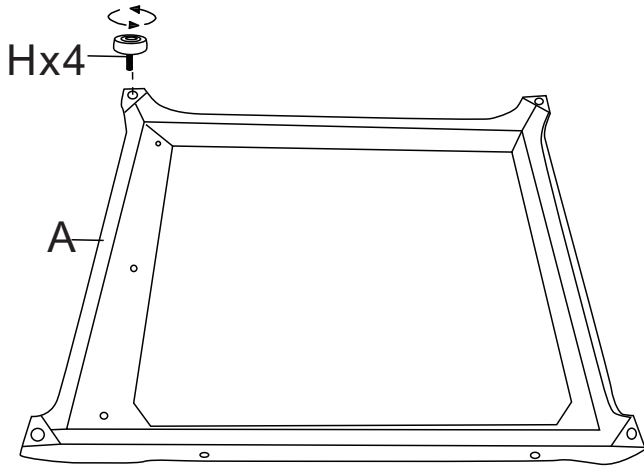
Parts List

<p>A</p>  <p>Left seat frame*1</p>	<p>B</p>  <p>Right seat frame*1</p>	<p>L</p>  <p>Middle seat frame*1</p>
<p>C</p>  <p>Backrest*3</p>	<p>D</p>  <p>Seat cushion*3</p>	<p>E</p>  <p>Back cushion*3</p>
<p>F</p>  <p>Arm*2</p>	<p>G</p>  <p>Pillow*3</p>	<p>H</p>  <p>Leg*12</p>
<p>I</p>  <p>Bolt*12 M8*80mm</p>	<p>J</p>  <p>Washer*12</p>	<p>K</p>  <p>Allen key*1</p>

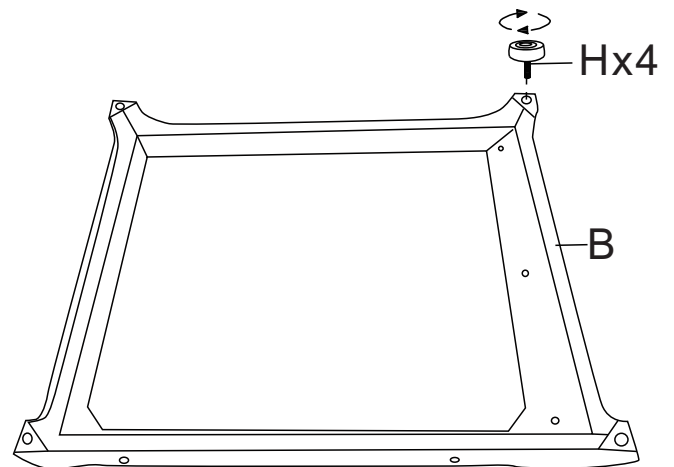
Note: Please retain all boxes until you are certain that your product isn't damaged and that you do not wish to return it. Disposal of boxes may prevent our ability to resolve your request.

STEP 1

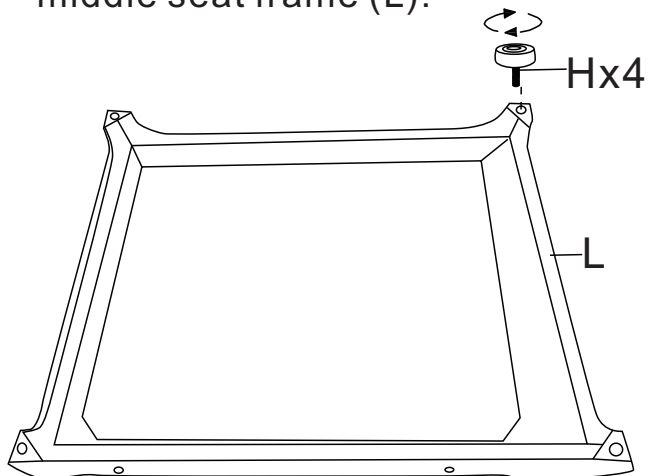
- ① Assemble the leg (H) to the left seat frame (A).



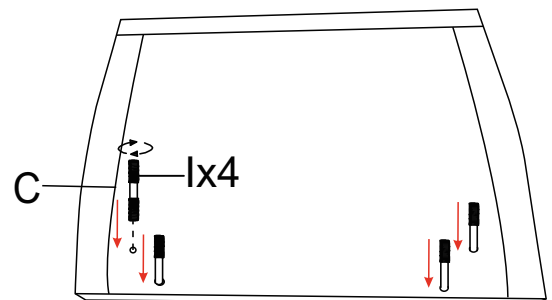
- ② Assemble the leg (H) to the right seat frame (B).



- ③ Assemble the leg (H) to the middle seat frame (L).

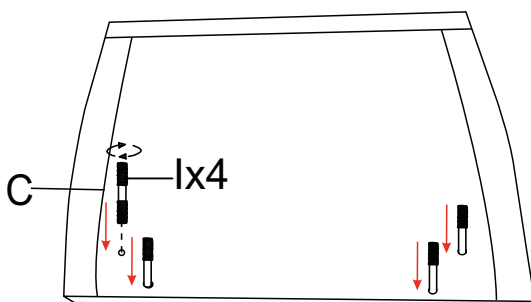


- ④ Pre-assemble the backrest (C) with Bolts (I).



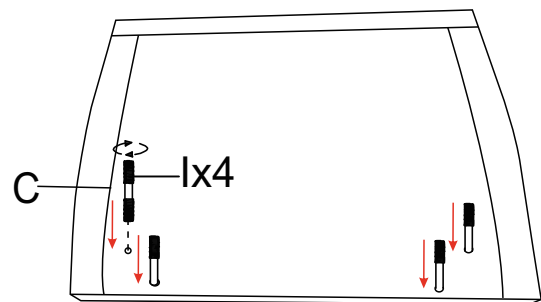
Backrest 1

- ⑤ Pre-assemble the backrest (C) with Bolts (I).



Backrest 2

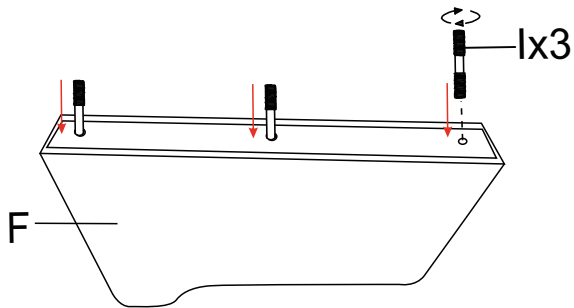
- ⑥ Pre-assemble the backrest (C) with Bolts (I).



Backrest 3

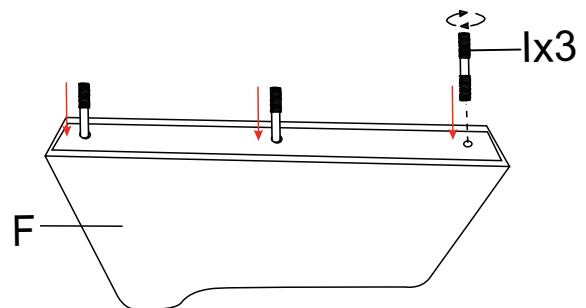
STEP 2

- ⑦ Pre-assemble the arm (F) with Bolts (I).



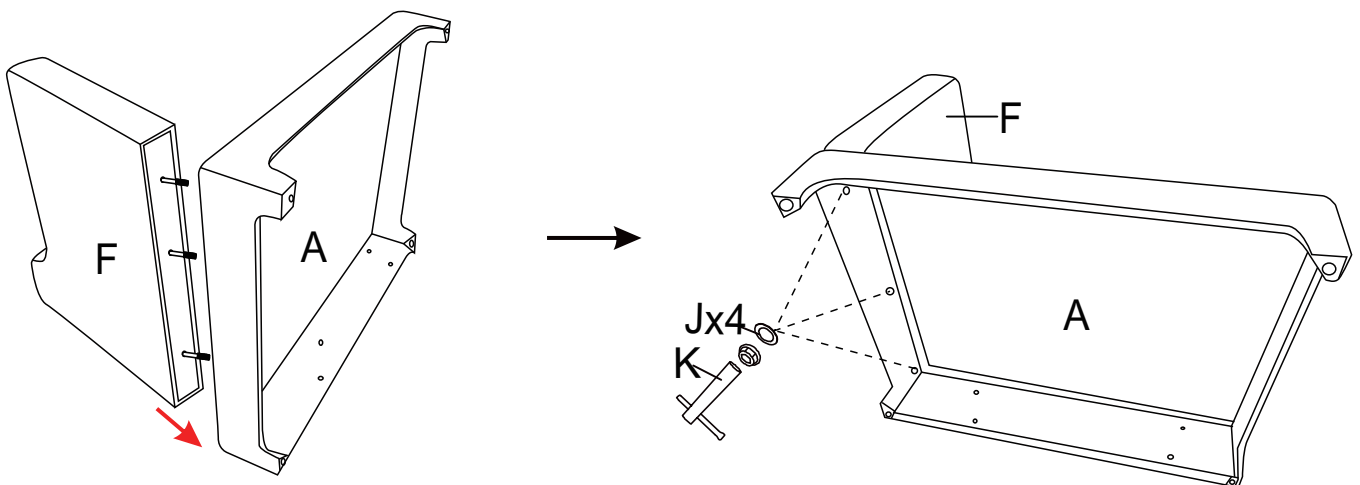
Arm 1

- ⑧ Pre-assemble the arm (F) with Bolts (I).

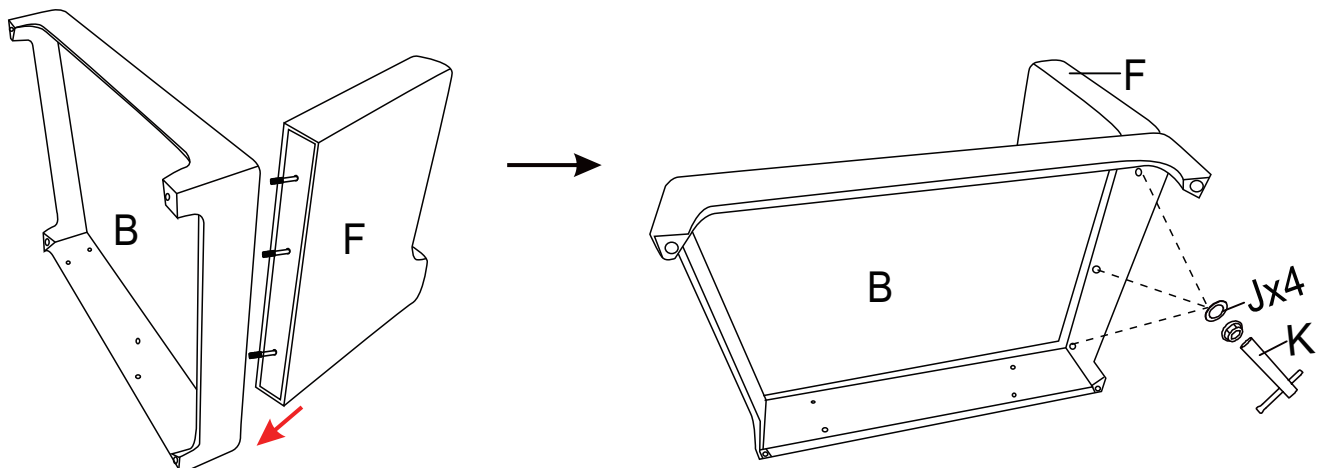


Arm 2

- ⑨ Assemble the arm (F) to the left seat frame (A) with washer (J).

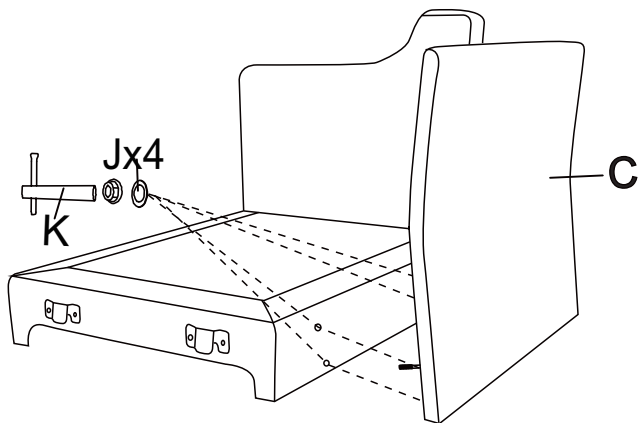


- ⑩ Assemble the arm (F) to the right seat frame (B) with washer (J).

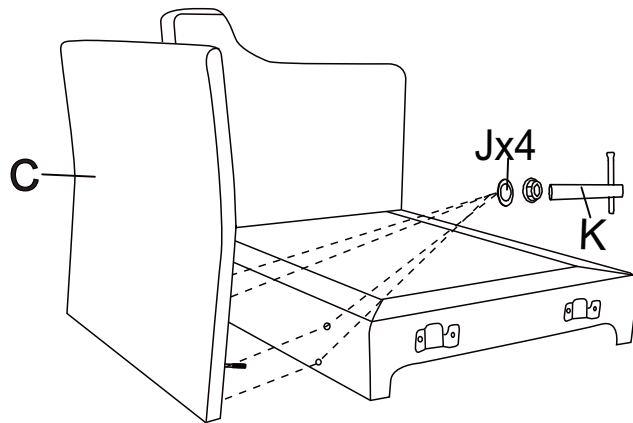


STEP 3

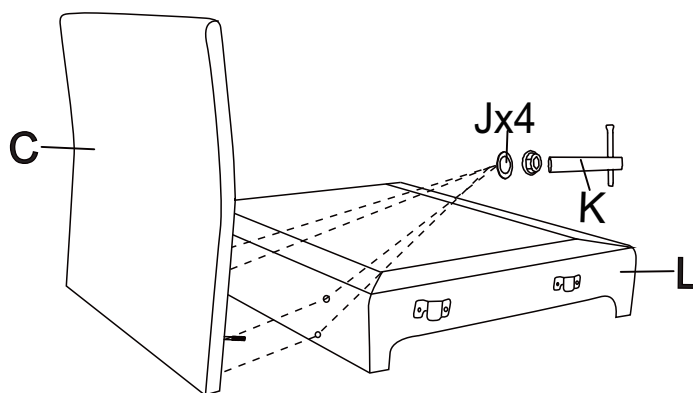
①① Assemble the backrest(C)to the left seat frame(A) with washer (J).



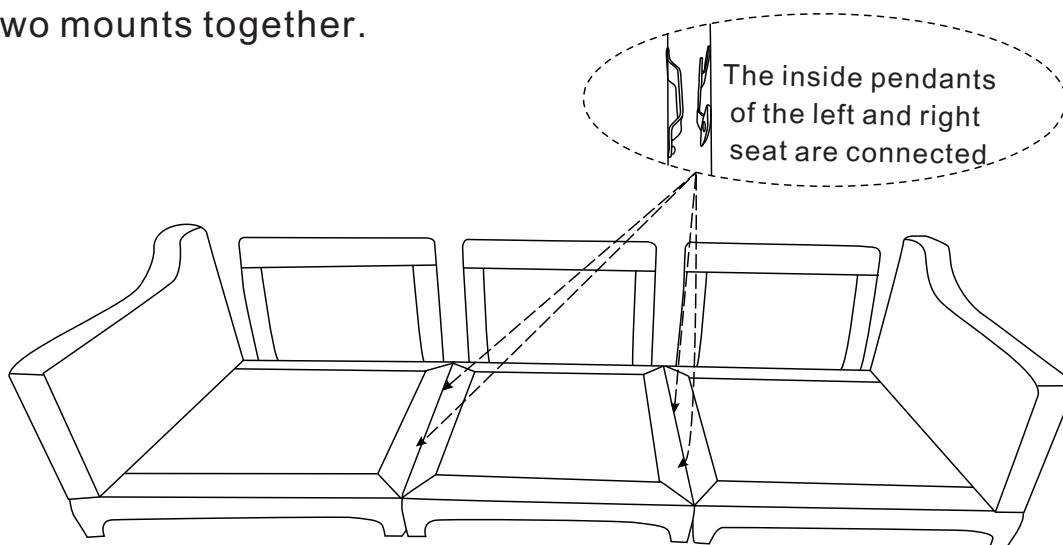
①② Assemble the backrest(C)to the right seat frame(B) with washer (J).



①③ Assemble the backrest(C)to the middle seat frame(L) with washer (J).

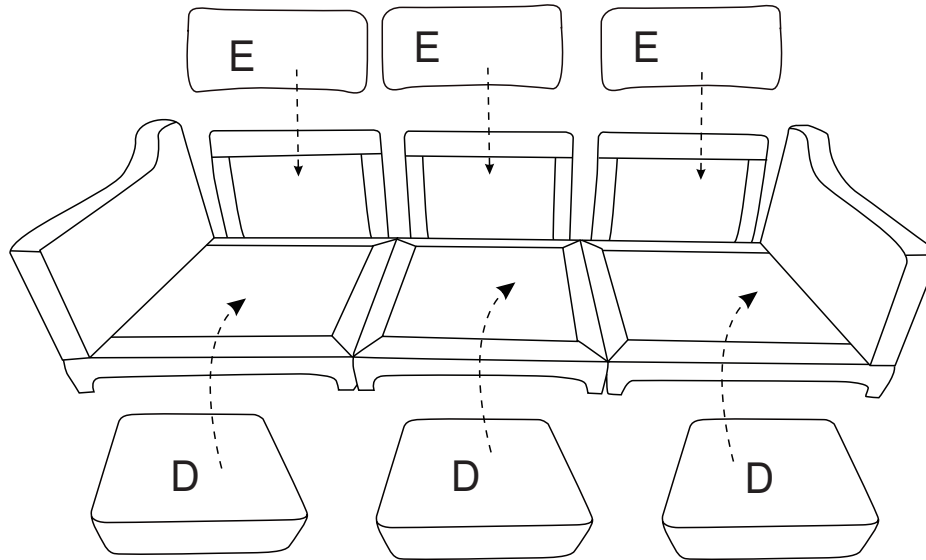


①④ Insert the two mounts together.

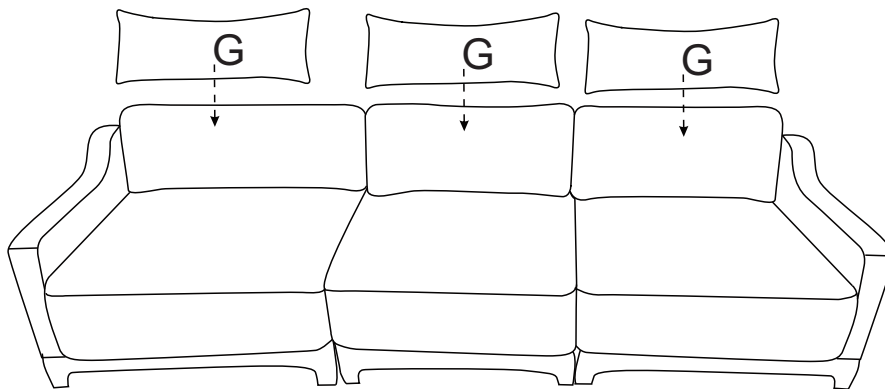


STEP 4

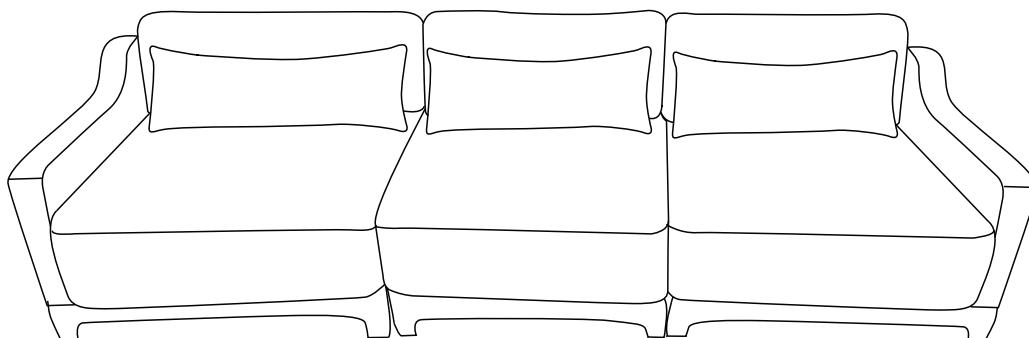
- ⑮ Put back cushion(E) and seat cushion (D)to the sofa.



- ⑯ Put pillow(G) to the sofa.



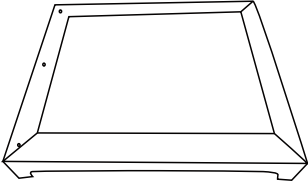
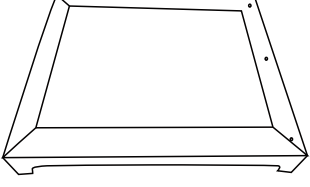
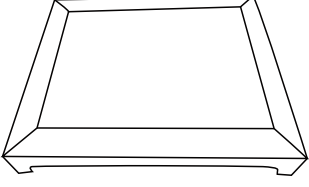
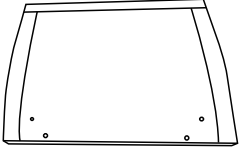
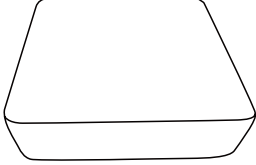

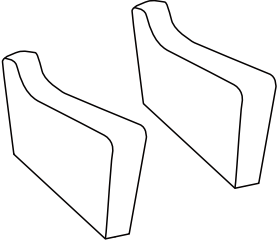
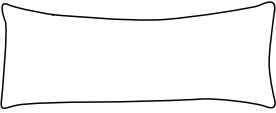
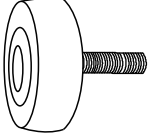
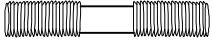

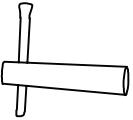
- ⑰ Completed .



Assembly Instructions

IF YOU BUY 4 SEATER SOFA
please follow below assembly instruction

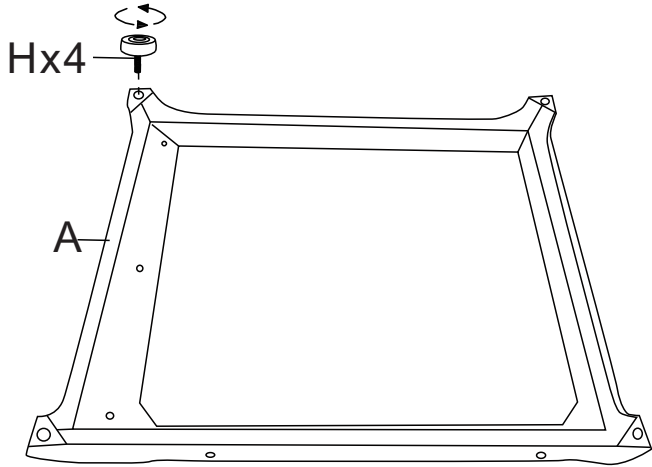
Parts List

<p>A</p>  <p>Left seat frame*1</p>	<p>B</p>  <p>Right seat frame*1</p>	<p>L</p>  <p>Middle seat frame*2</p>
<p>C</p>  <p>Backrest*4</p>	<p>D</p>  <p>Seat cushion*4</p>	<p>E</p>  <p>Back cushion*4</p>
<p>F</p>  <p>Arm*2</p>	<p>G</p>  <p>Pillow*4</p>	<p>H</p>  <p>Leg*16</p>
<p>I</p>  <p>Bolt*16 M8*80mm</p>	<p>J</p>  <p>Washer*16</p>	<p>K</p>  <p>Allen key*4</p>

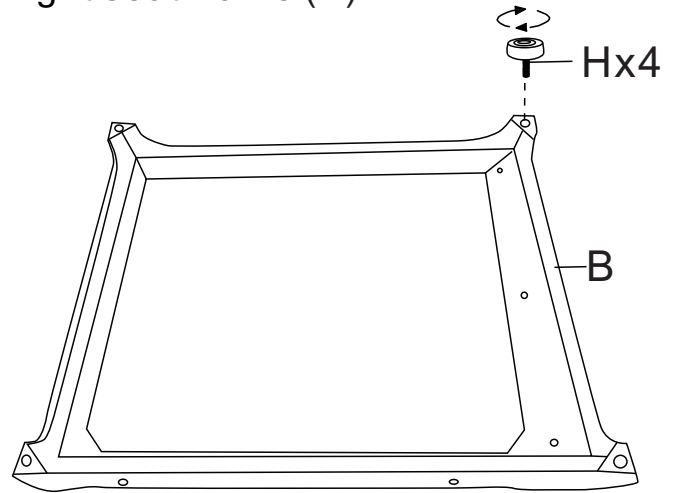
Note: Please retain all boxes until you are certain that your product isn't damaged and that you do not wish to return it. Disposal of boxes may prevent our ability to resolve your request.

STEP 1

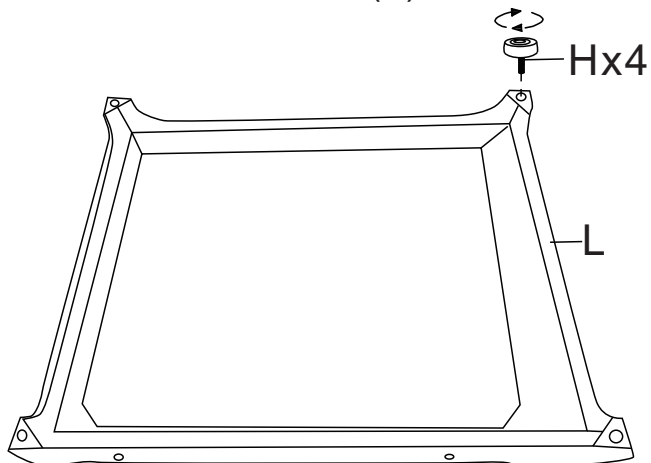
- ① Assemble the leg (H) to the left seat frame (A).



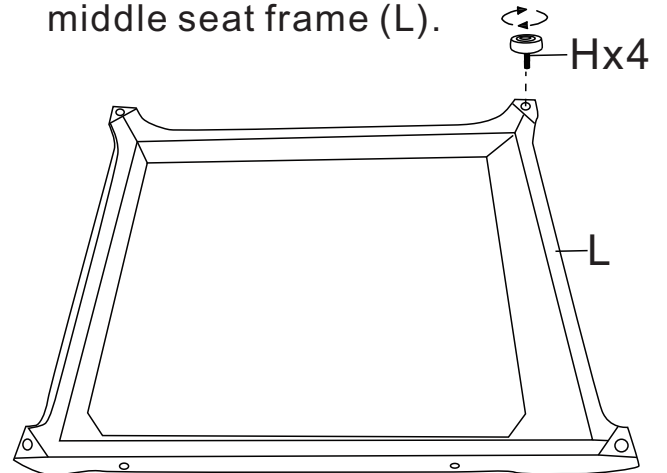
- ② Assemble the leg (H) to the right seat frame (B).



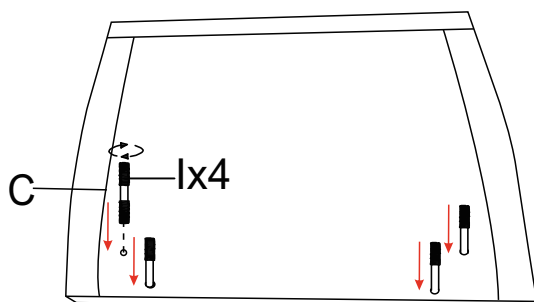
- ③ Assemble the leg (H) to the middle seat frame (L).



- ④ Assemble the leg (H) to the middle seat frame (L).

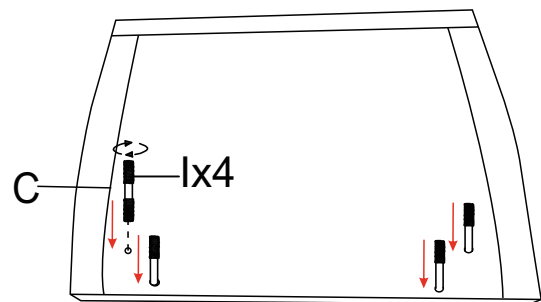


- ⑤ Pre-assemble the backrest (C) with Bolts (I).



Backrest 1

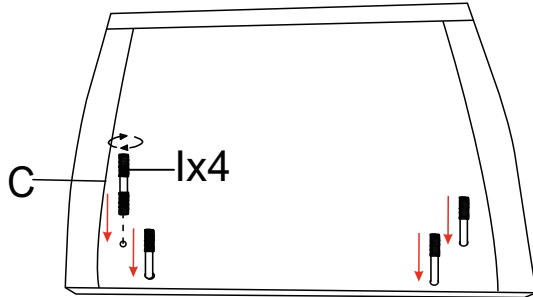
- ⑥ Pre-assemble the backrest (C) with Bolts (I).



Backrest 2

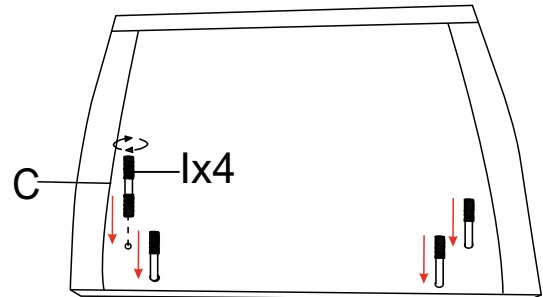
STEP 2

- ⑦ Pre-assemble the backrest (C) with Bolts (I).



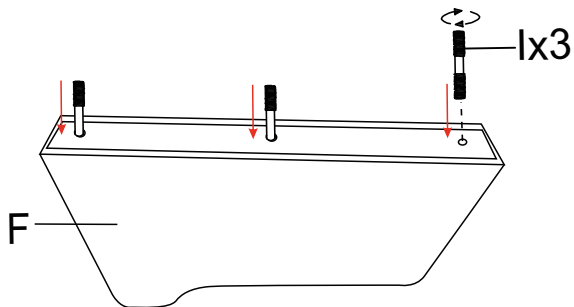
Backrest 3

- ⑧ Pre-assemble the backrest (C) with Bolts (I).



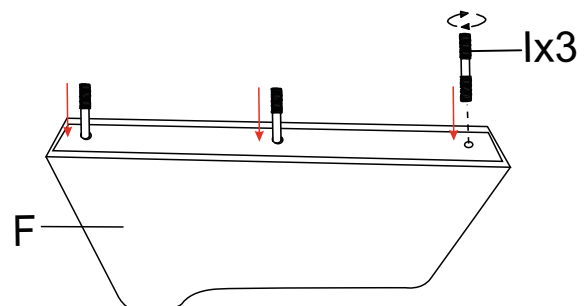
Backrest 4

- ⑨ Pre-assemble the arm (F) with Bolts (I).



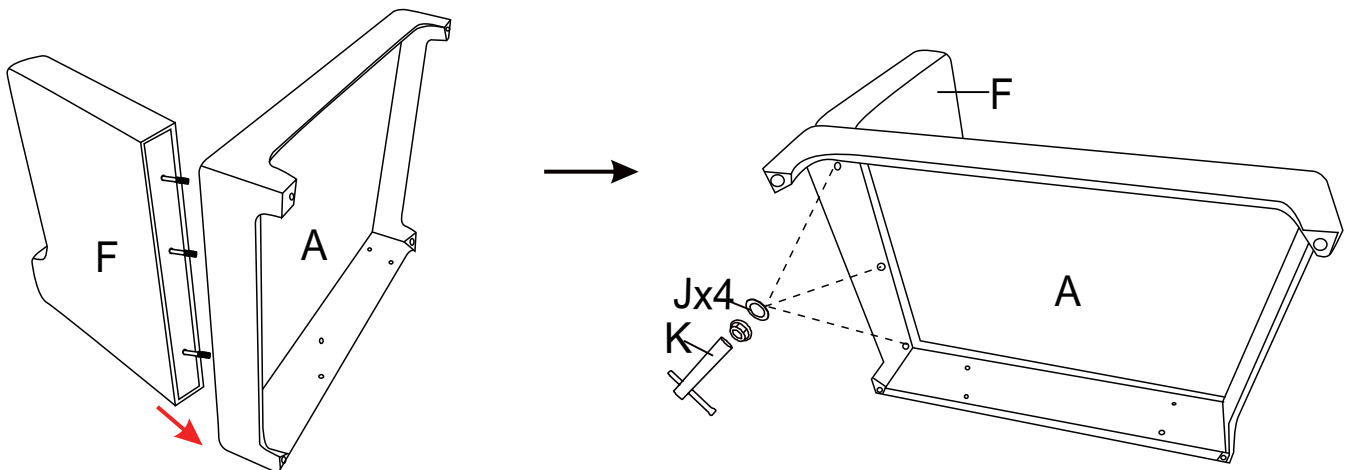
Arm 1

- ⑩ Pre-assemble the arm (F) with Bolts (I).



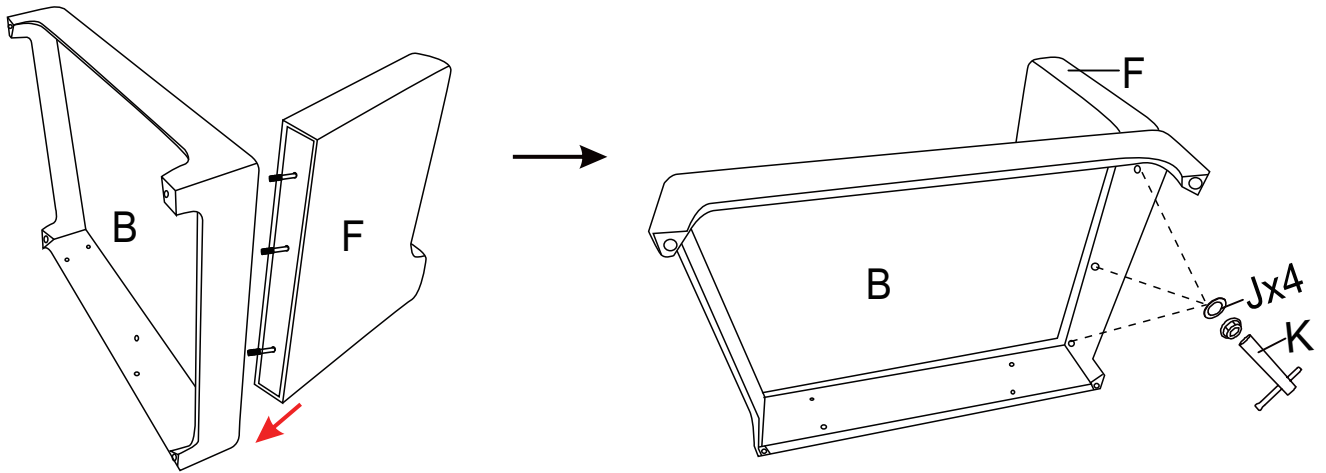
Arm 2

- ⑪ Assemble the arm (F) to the left seat frame (A) with washer (J).

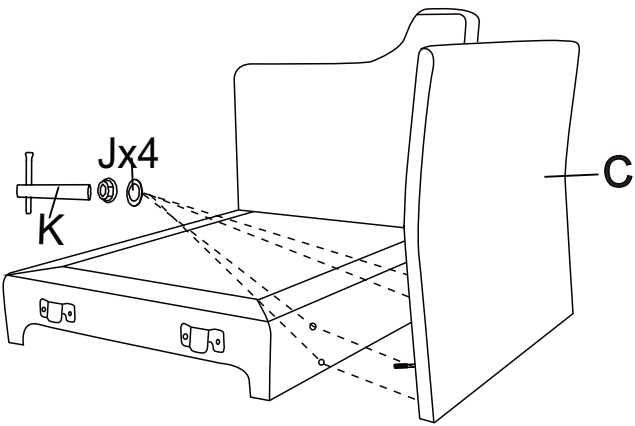


STEP 3

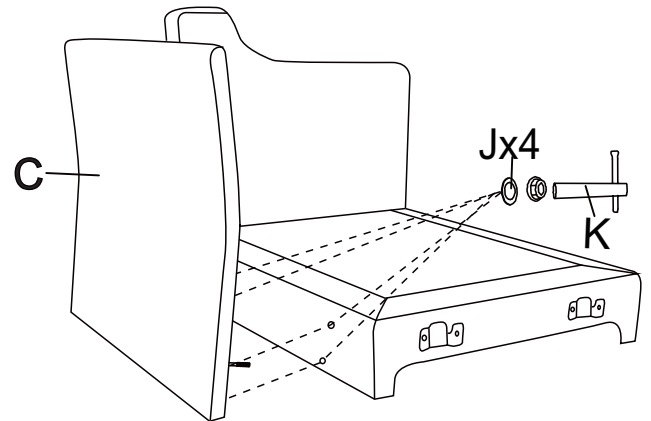
⑫ Assemble the arm (F) to the right seat frame (B) with washer (J).



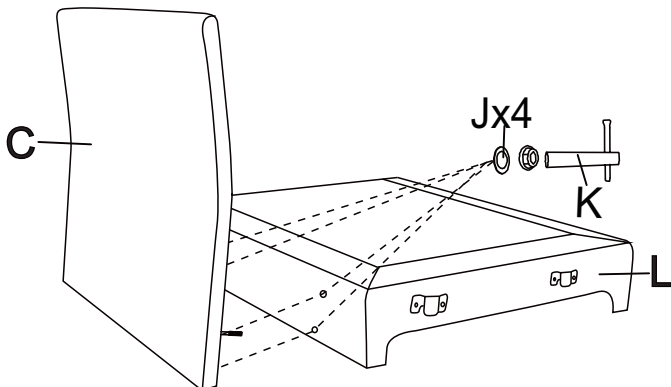
⑬ Assemble the backrest (C) to the left seat frame (A) with washer (J).



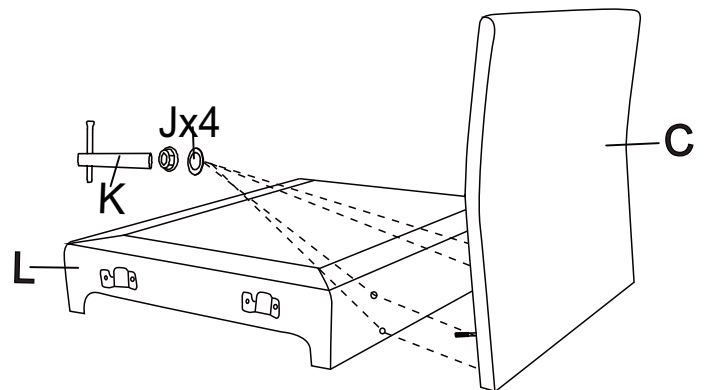
⑭ Assemble the backrest (C) to the right seat frame (B) with washer (J).



⑮ Assemble the backrest (C) to the middle seat frame (L) with washer (J).

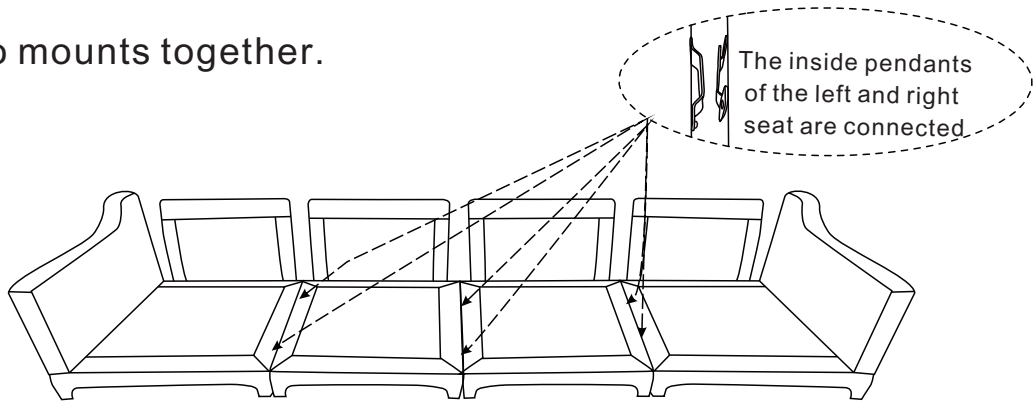


⑯ Assemble the backrest (C) to the middle seat frame (L) with washer (J).

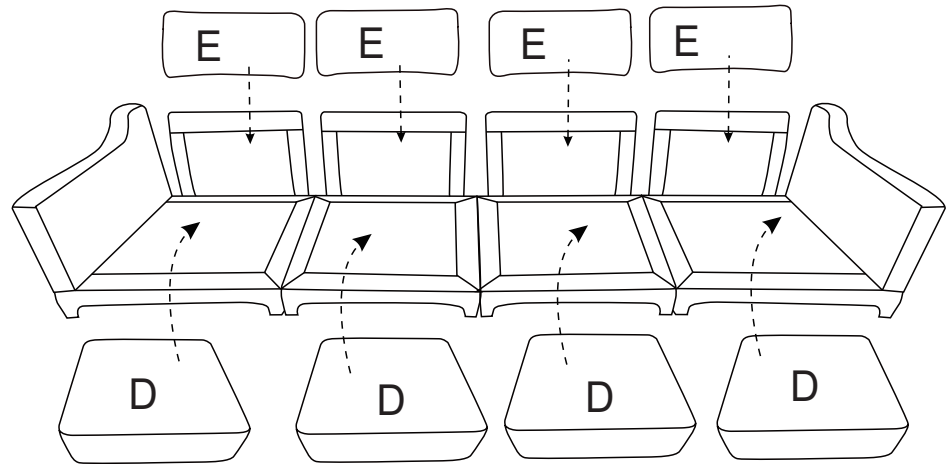


STEP 4

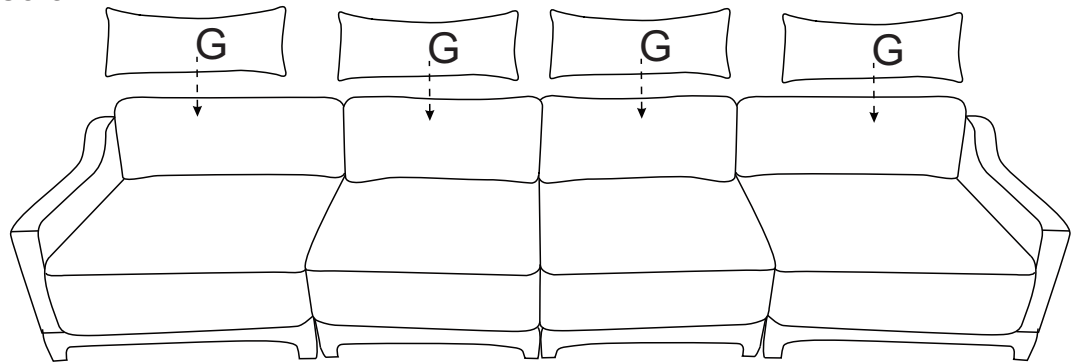
⑰ Insert the two mounts together.



⑱ Put back cushion(E) and seat cushion (D)to the sofa.



⑲ Put pillow(G) to the sofa.



⑳ Completed .

