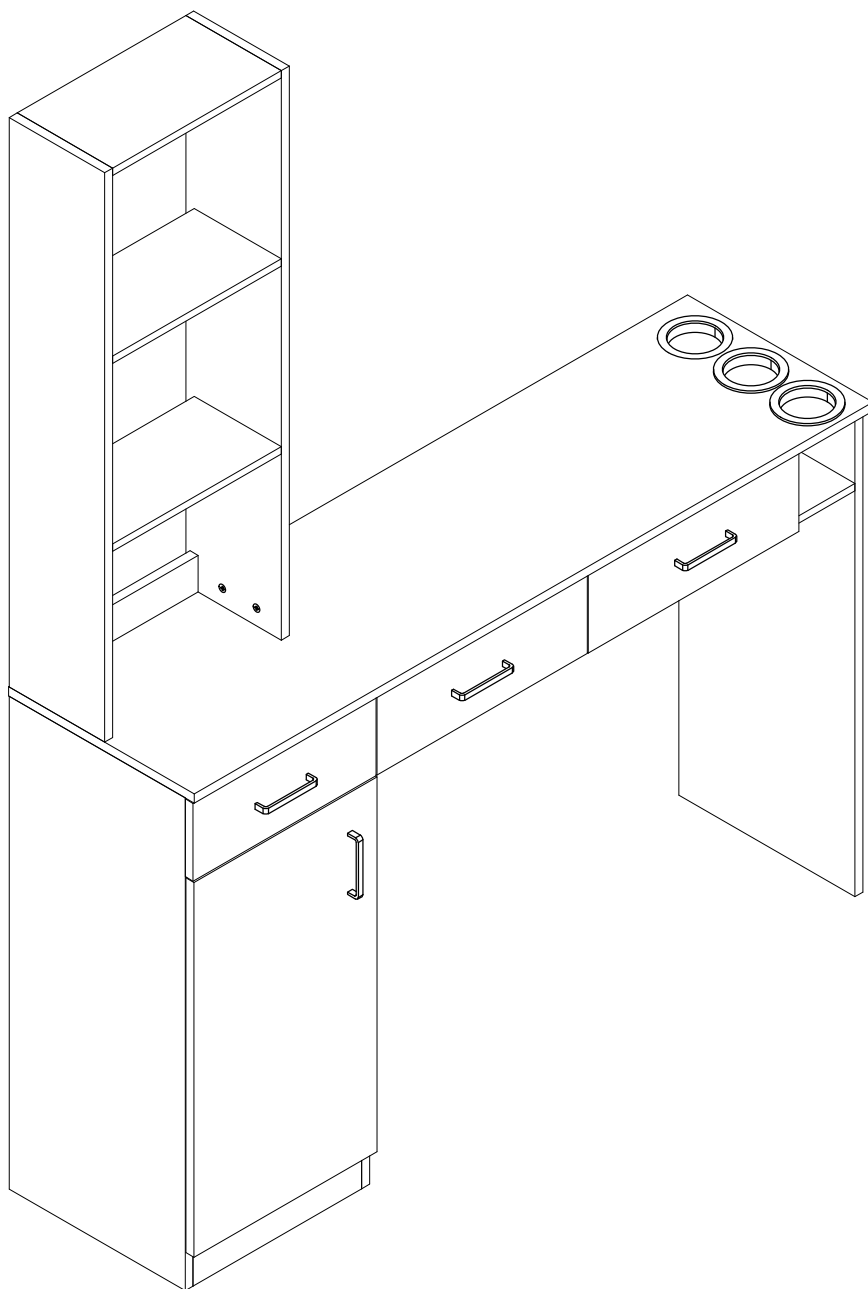
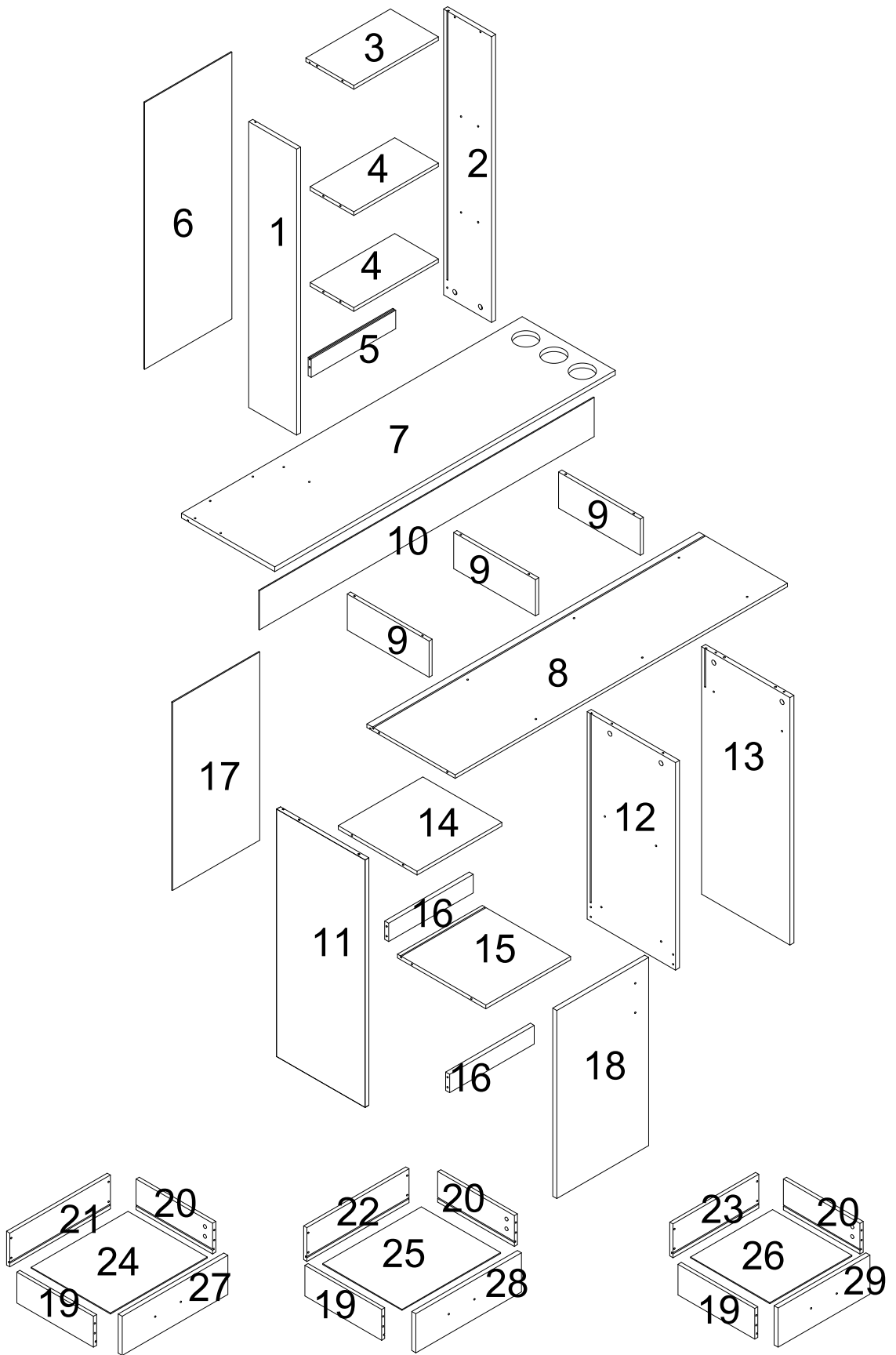


SKU: SF001006BL





Trouble Shooting

Missing/Damaged pieces/
Wrong size and installation issues



Contact us with your problem, pic,
number and qty to the "Contact seller"
button in the detail page of your order



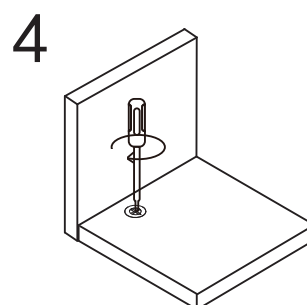
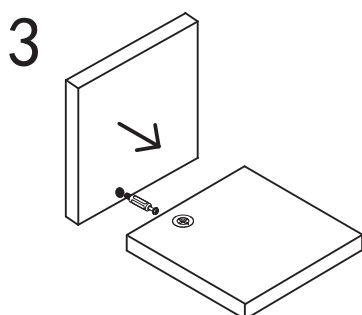
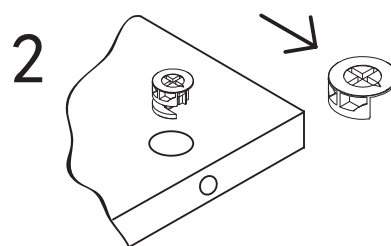
Respond with 24 hours to solve issue

Before You Start

1. Read through each step carefully and follow the proper order
2. Separate and count all your parts and hardware
3. Give yourself enough room for the assembly process
4. Caution: If using a power drill or power screwdriver for screwing, please be aware to slow down and stop when screw is tight. Failure to do so may result in stripping the screw

Cam Lock Fastening System

This Cam Lock Fastening System will be used throughout the assembly process



Parts List



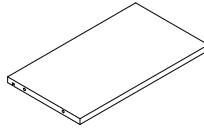
1

1PC



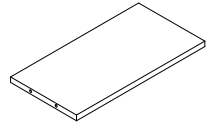
2

1PC



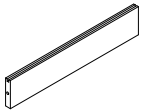
3

1PC



4

2PC



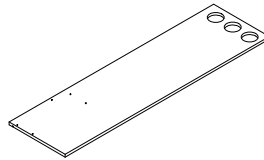
5

1PC



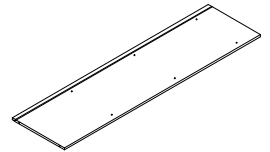
6

1PC



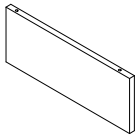
7

1PC



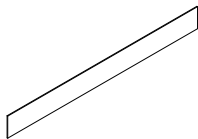
8

1PC



9

3PC



10

1PC



11

1PC



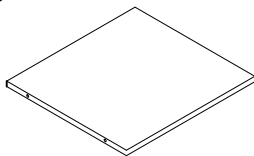
12

1PC



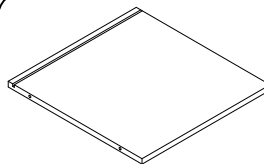
13

1PC



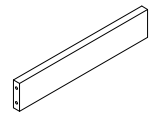
14

1PC



15

1PC



16

2PC



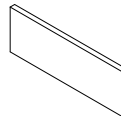
17

1PC



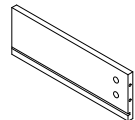
18

1PC



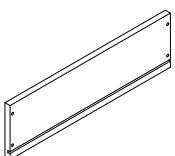
19

3PC



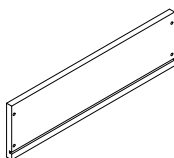
20

3PC



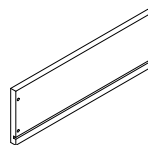
21

1PC



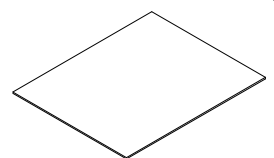
22

1PC



23

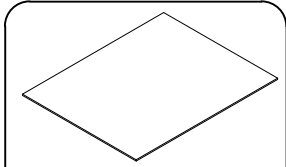
1PC



24

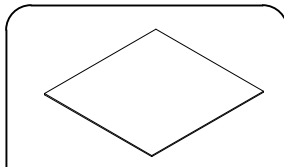
1PC

Parts List



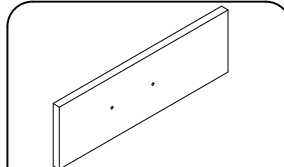
25

1PC



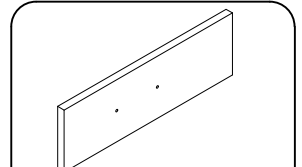
26

1PC



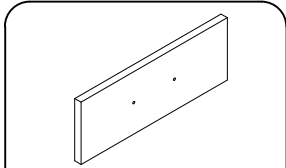
27

1PC



28

1PC



29

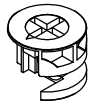
1PC

Hardware List



A

70PC



φ15

B

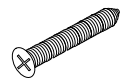
10PC



Ø8*30mm

C

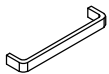
2PC



Ø4*40mm

D

12PC



E

4PC



M4*18mm

F

8PC



φ12

G

60PC



φ3.5*14mm

H

8PC



I

3PC



J

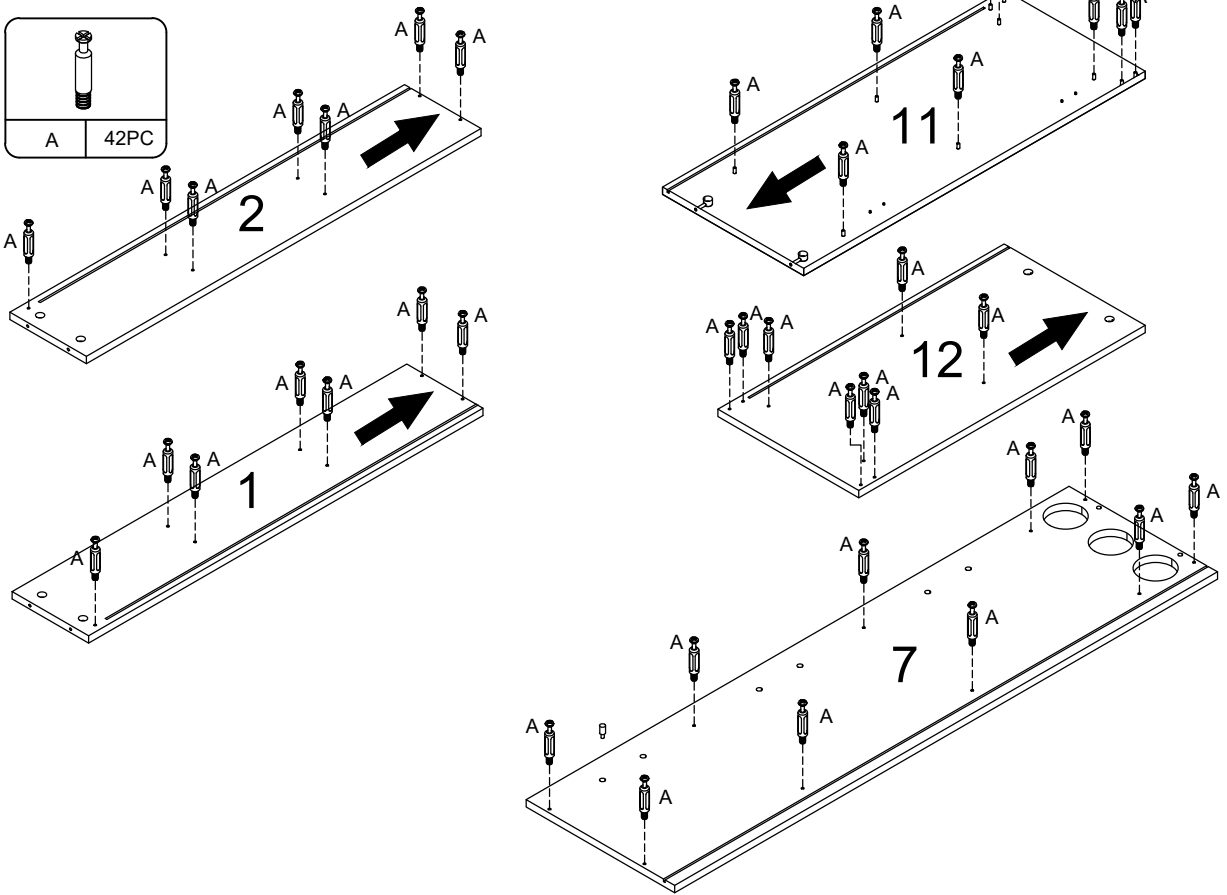
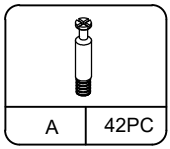
2PC



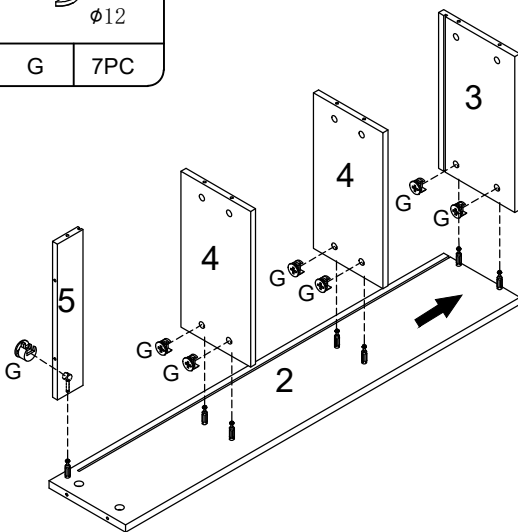
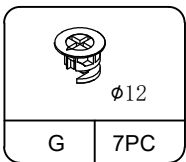
K

6PC

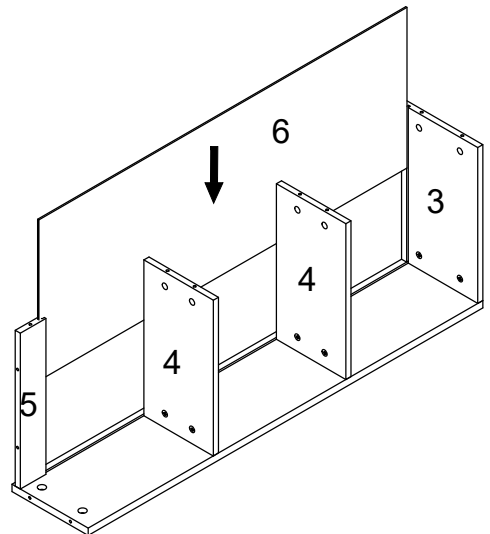
STEP 1



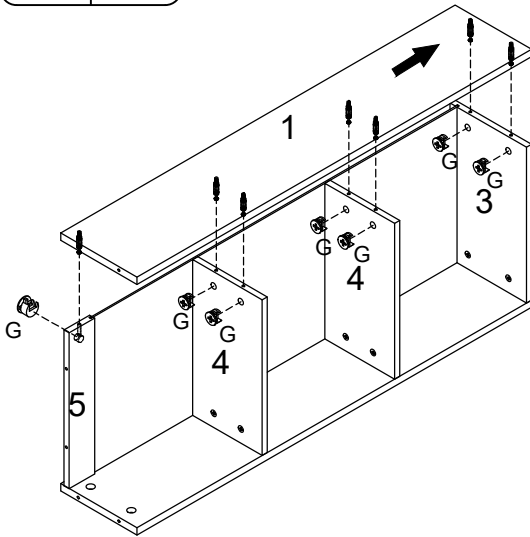
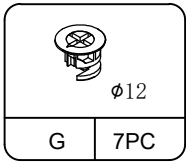
STEP 2



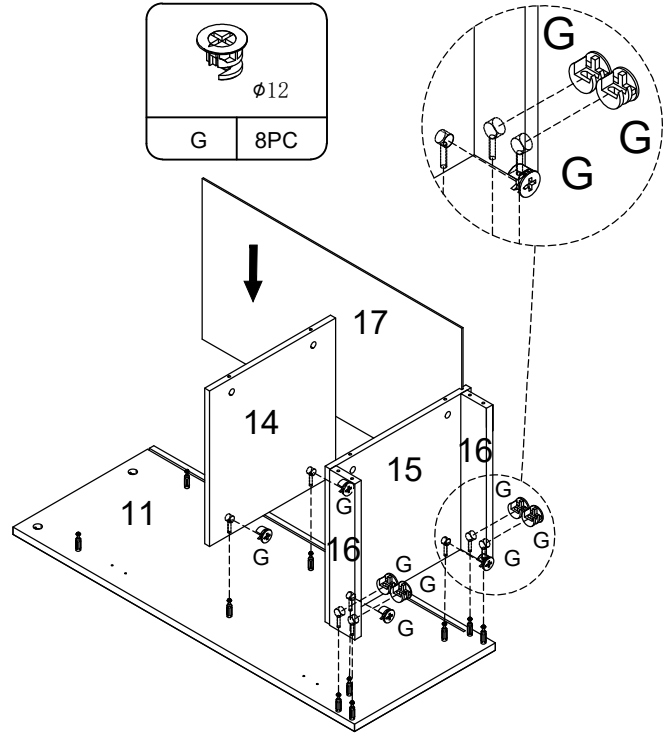
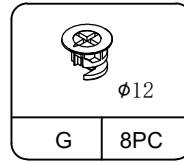
STEP 3



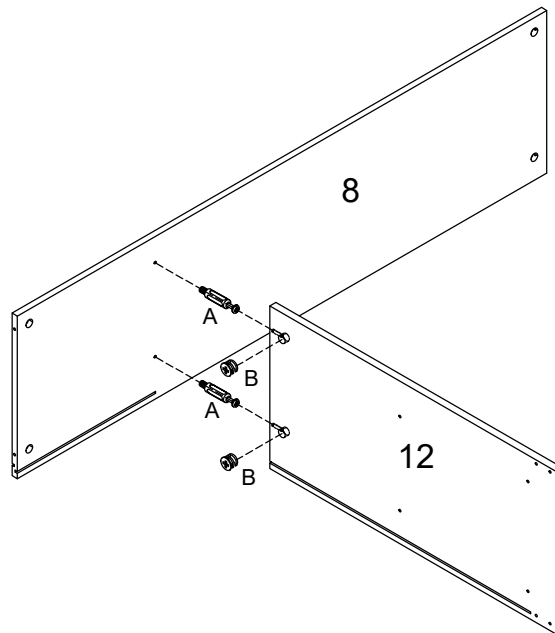
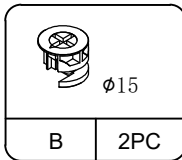
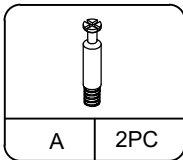
STEP 4



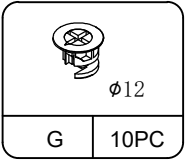
STEP 5



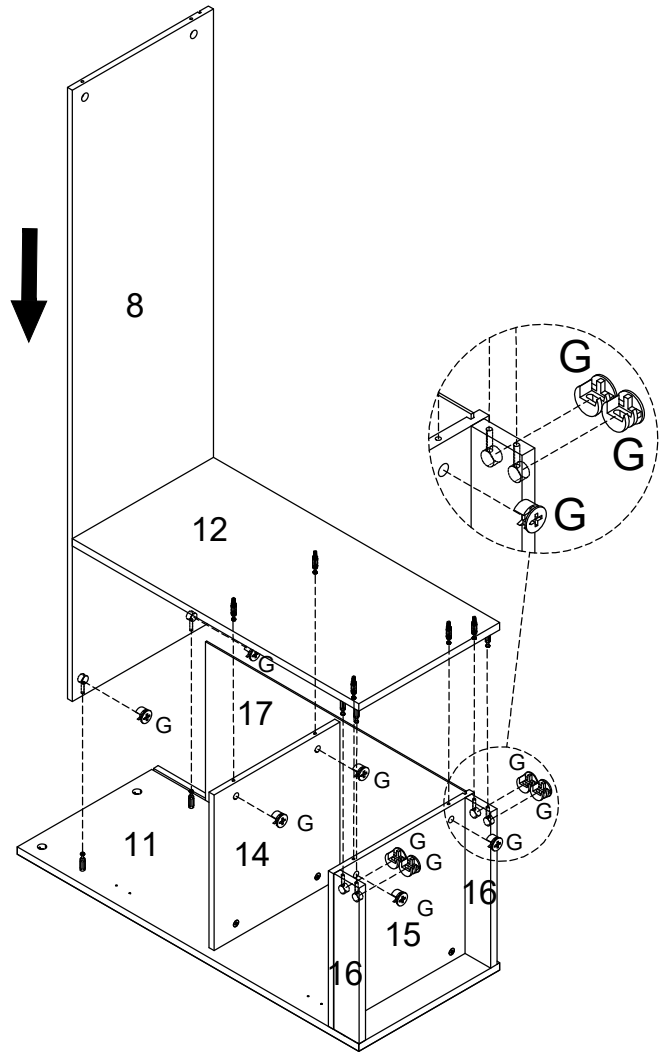
STEP 6



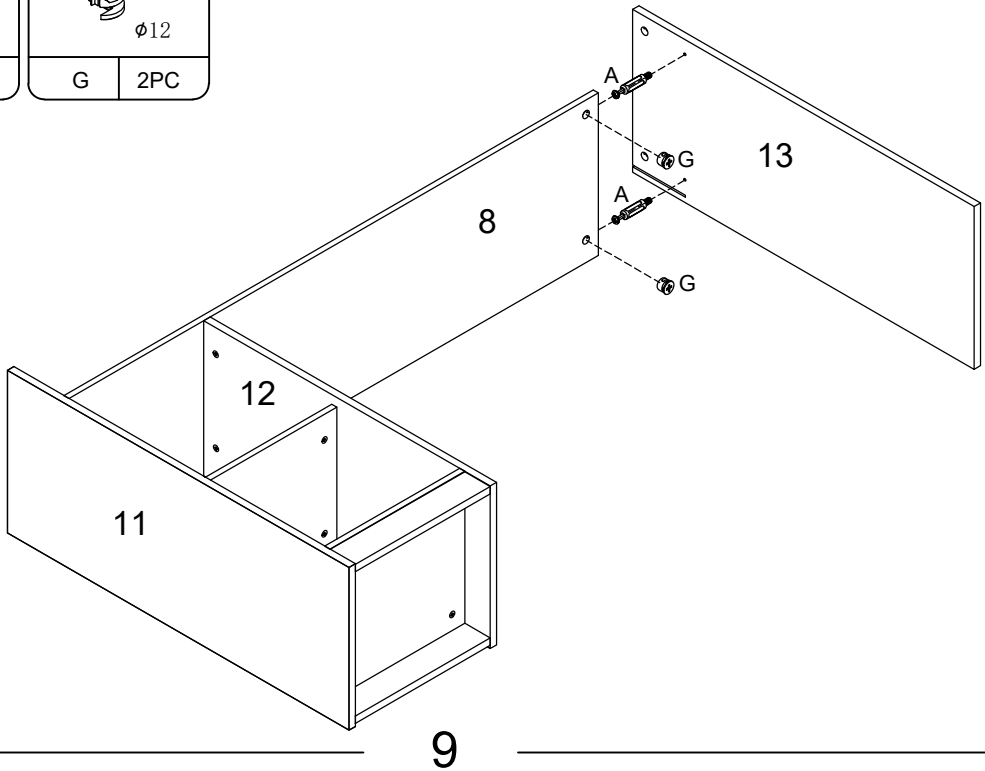
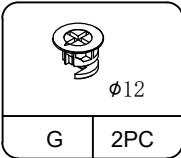
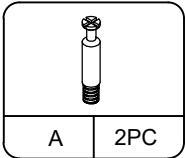
STEP 7



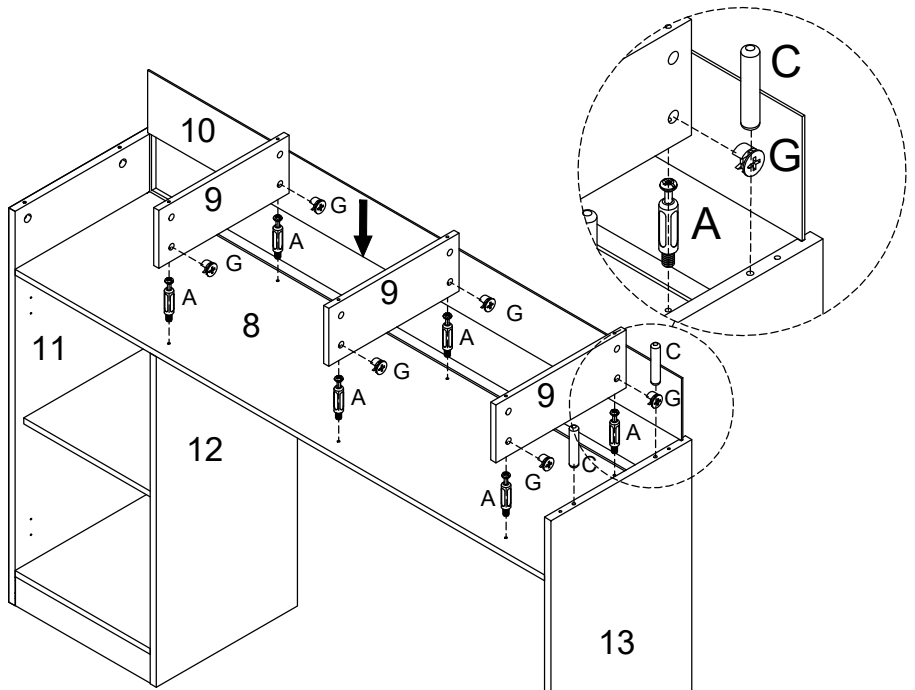
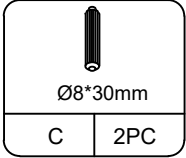
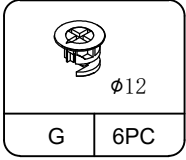
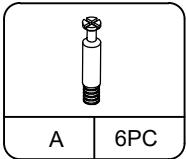
Important
2 people required
2 personnes requises
2 personas requeridas



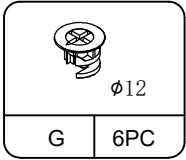
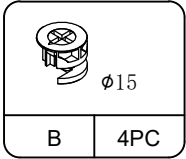
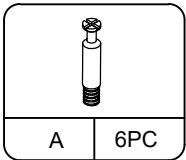
STEP 8



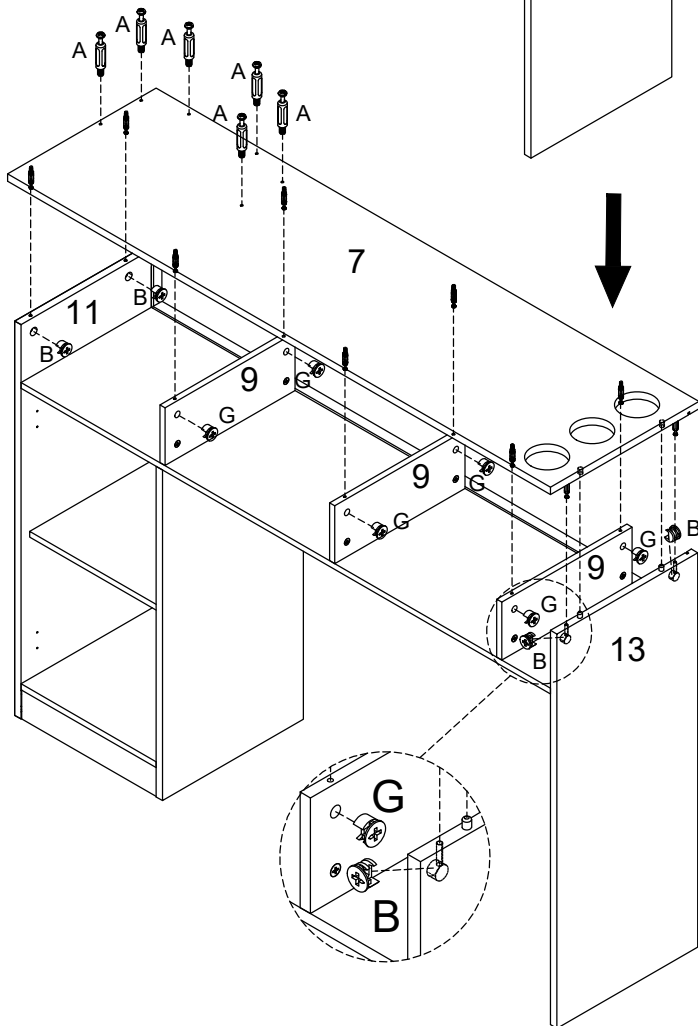
STEP 9



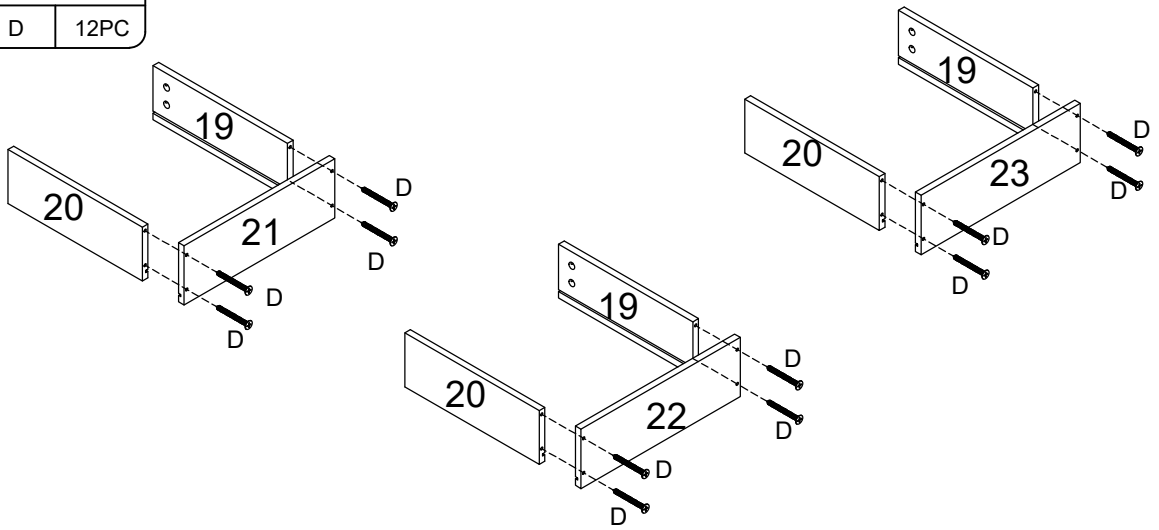
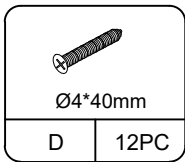
STEP 10



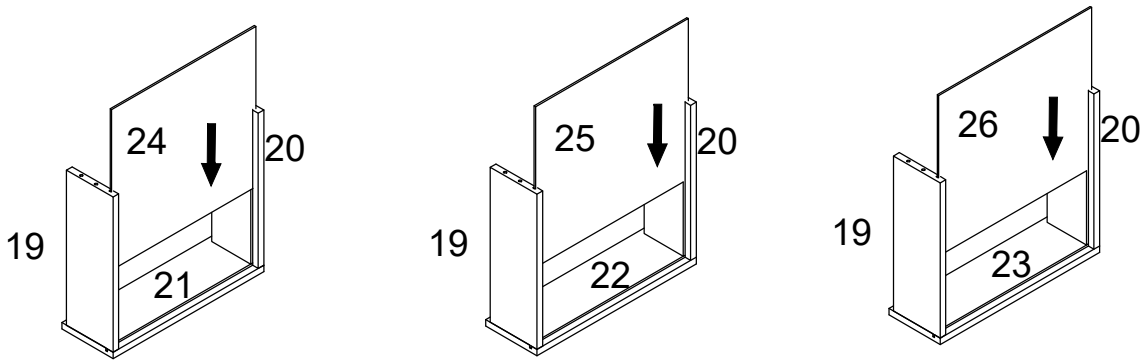
Important
 2 people required
 2 personnes requises
 2 personas requeridas



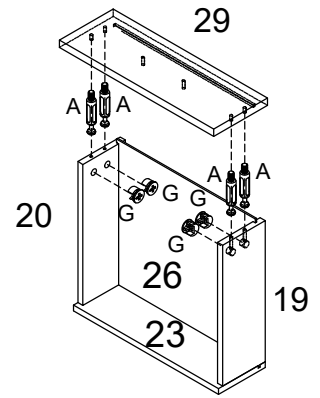
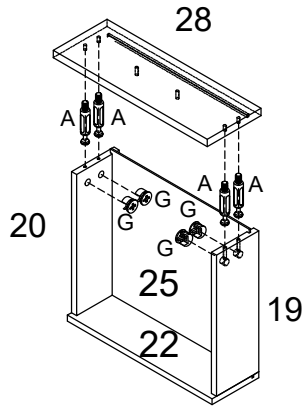
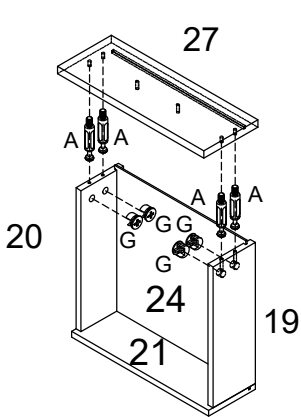
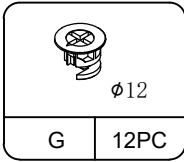
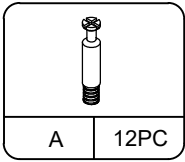
STEP 11



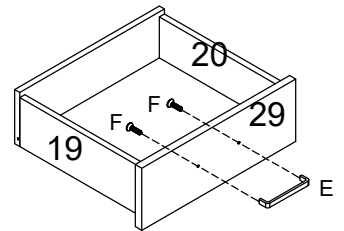
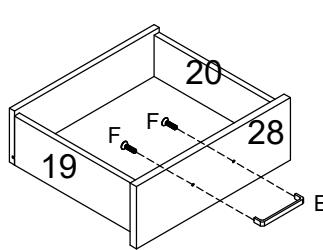
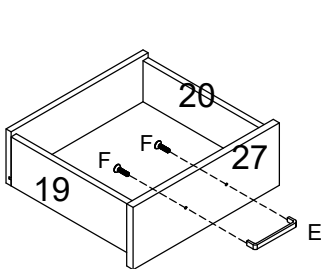
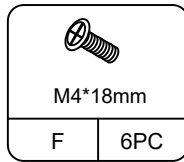
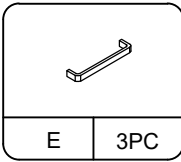
STEP 12







STEP 13

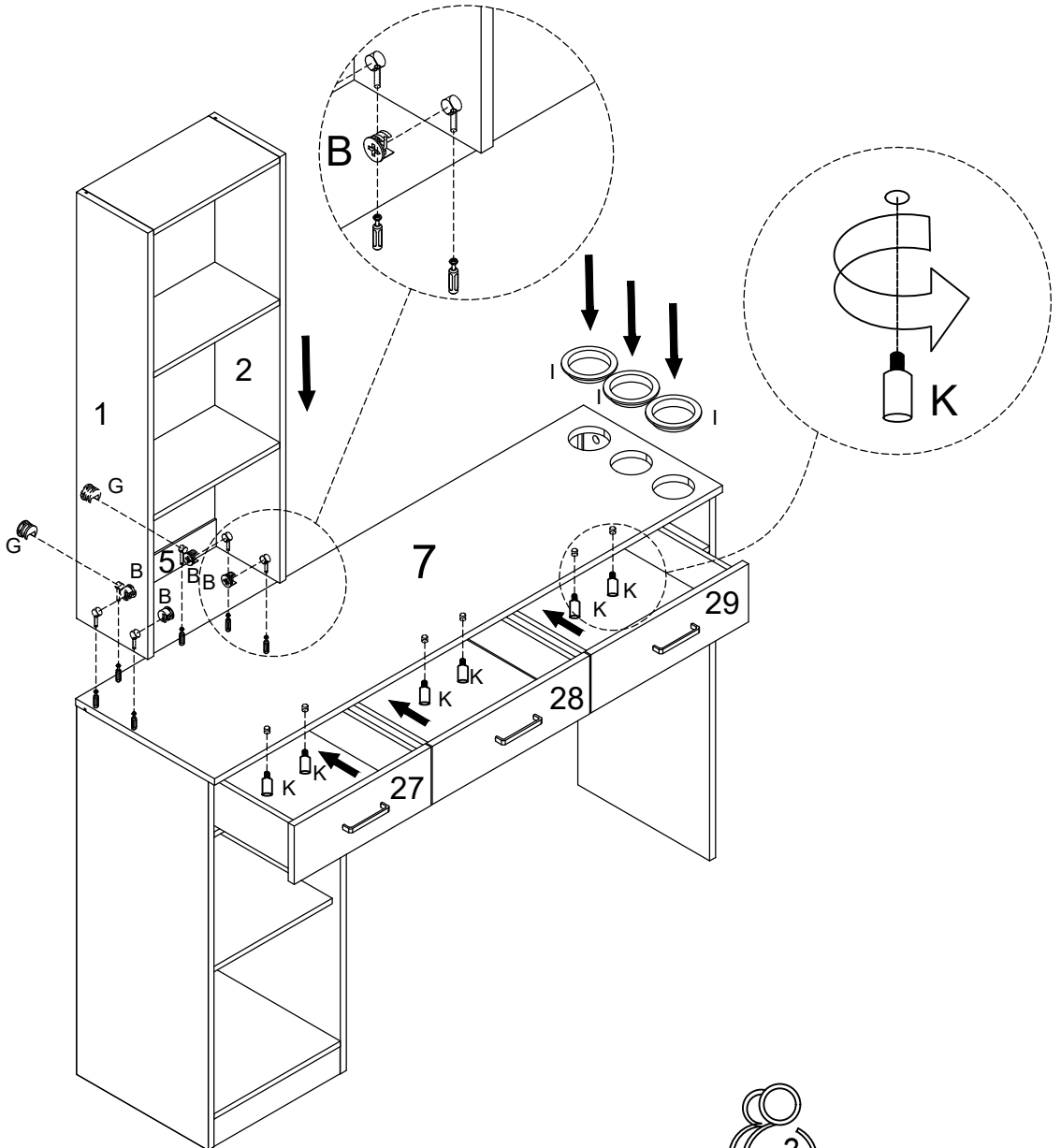


STEP 14




STEP 15


 $\phi 15$	 $\phi 12$		
B 4PC	G 2PC	I 3PC	K 6PC

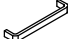



Important
2 people required
2 personnes requises
2 personas requeridas

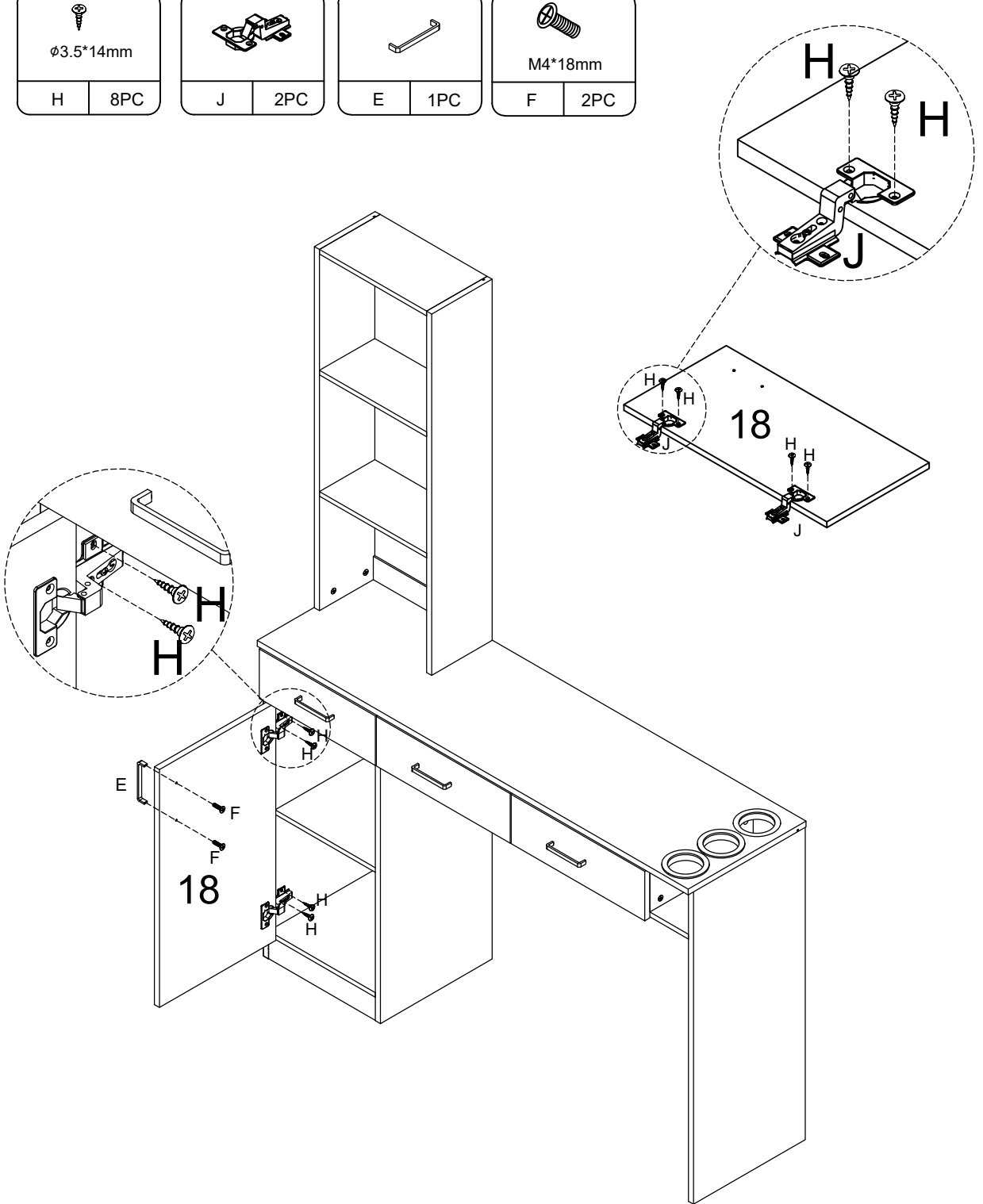
STEP 16

 ø3.5*14mm	
H	8PC

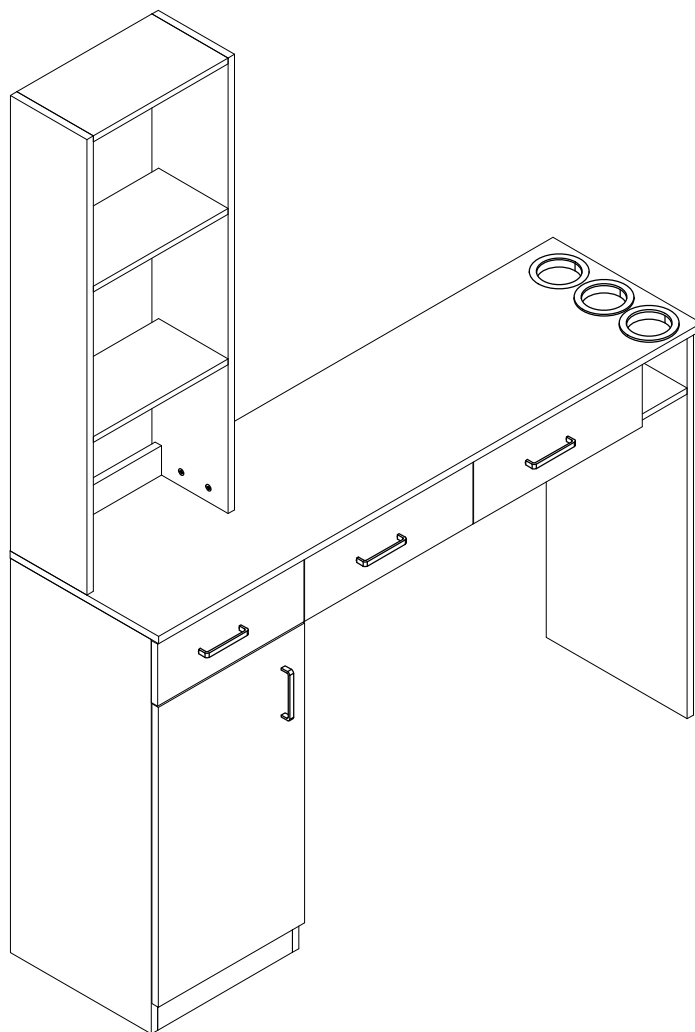
	
J	2PC

	
E	1PC

 M4*18mm	
F	2PC

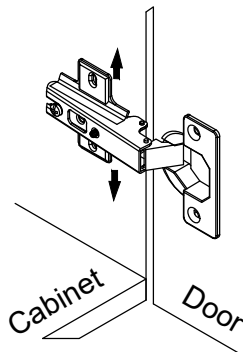
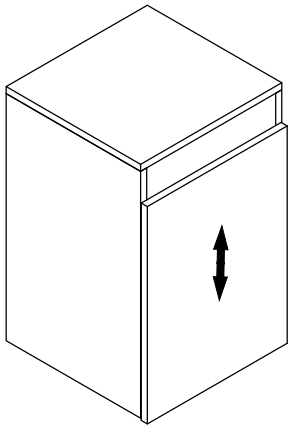
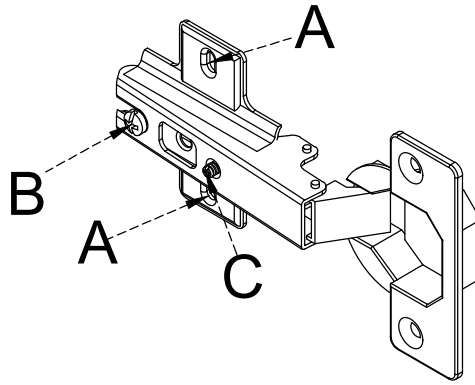


STEP 17



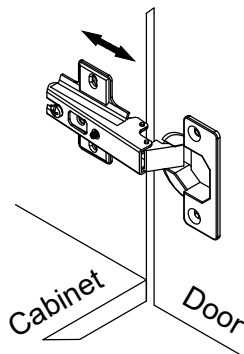
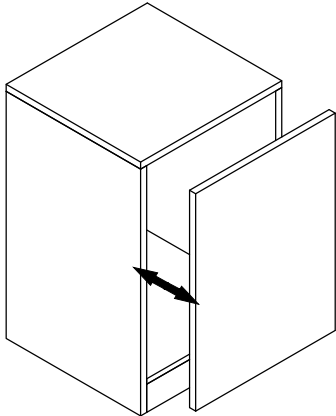
Please Make sure every screw is locked

Door Hinge Adjustment Instructions



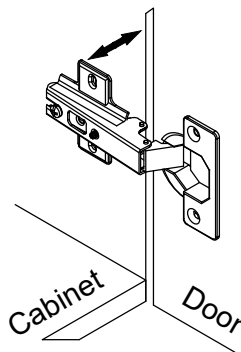
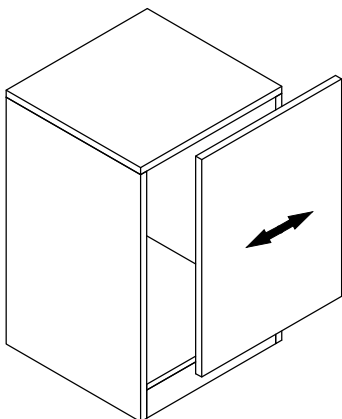
To adjust the vertical height.

Loosen the two screws "A" on hinges, Usually in slotted holes which allows you to adjust up or down by a few mm Then tighten back .



To adjust depth.

Loosen screw "B" and adjust door, if the door can not be adjusted, please loosen screw "C", then try again. Tighten screw "B" and "C"



To adjust side ways.

Turning the screw "C" on BOTH hinges on each door.