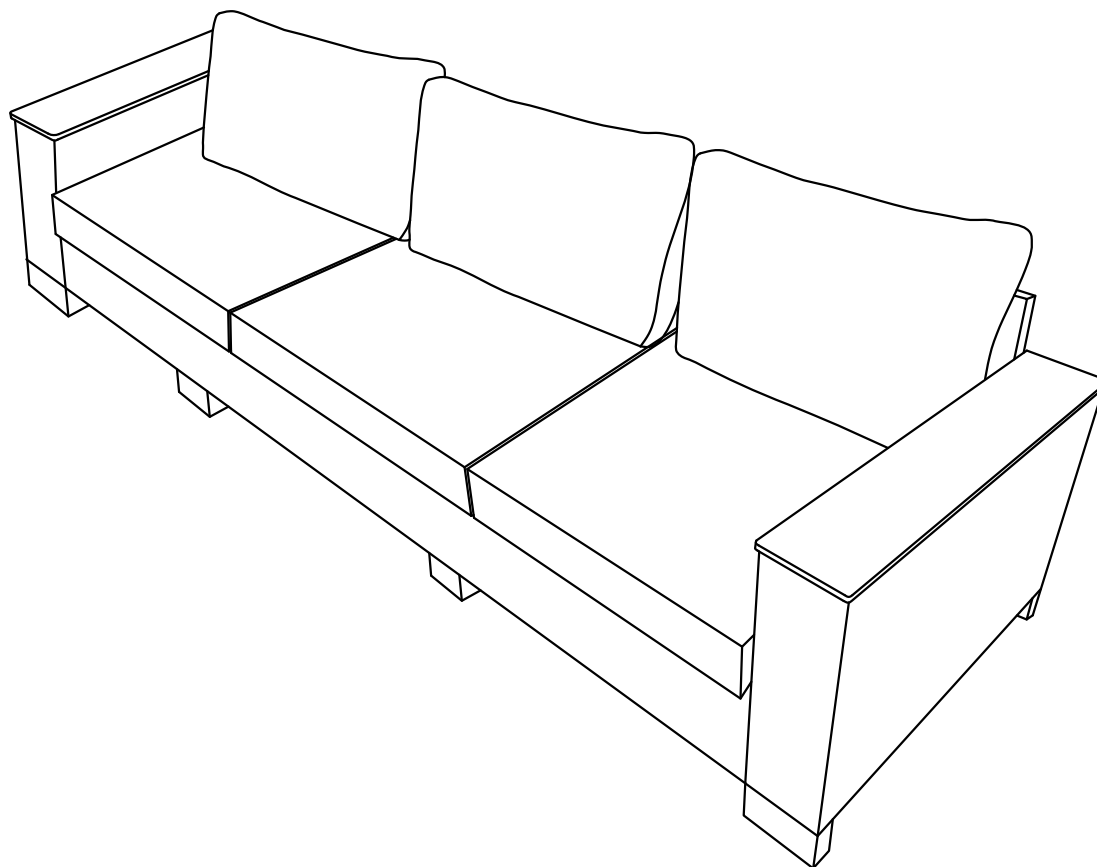


# Sofa Assembly Instruction



**Dear Customer,**

**After receiving the product, please check all the accessory codes and quantities according to the instruction manual, if there is any omission, please contact us in time. We will provide solutions for you.**



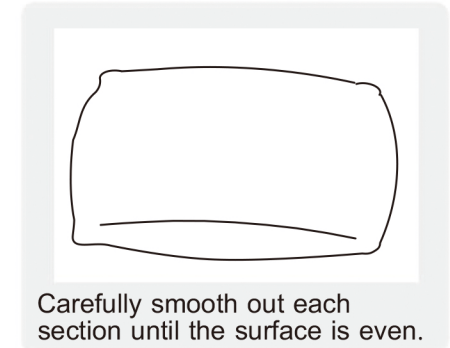
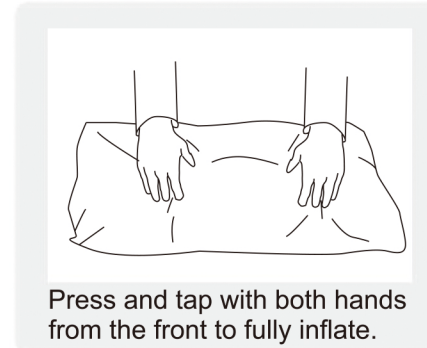
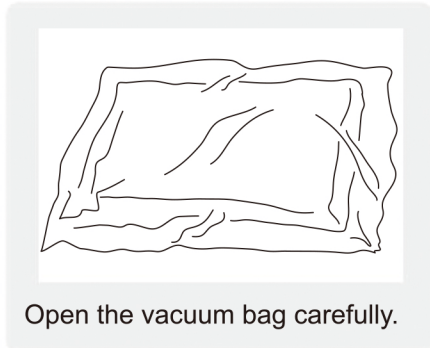
# Safety and Care Advice

**Important – Please read these instructions fully before starting assembly**

Thanks for your purchase. Before the assembly, please follow the instruction to check if all the spare parts and screws are intact.

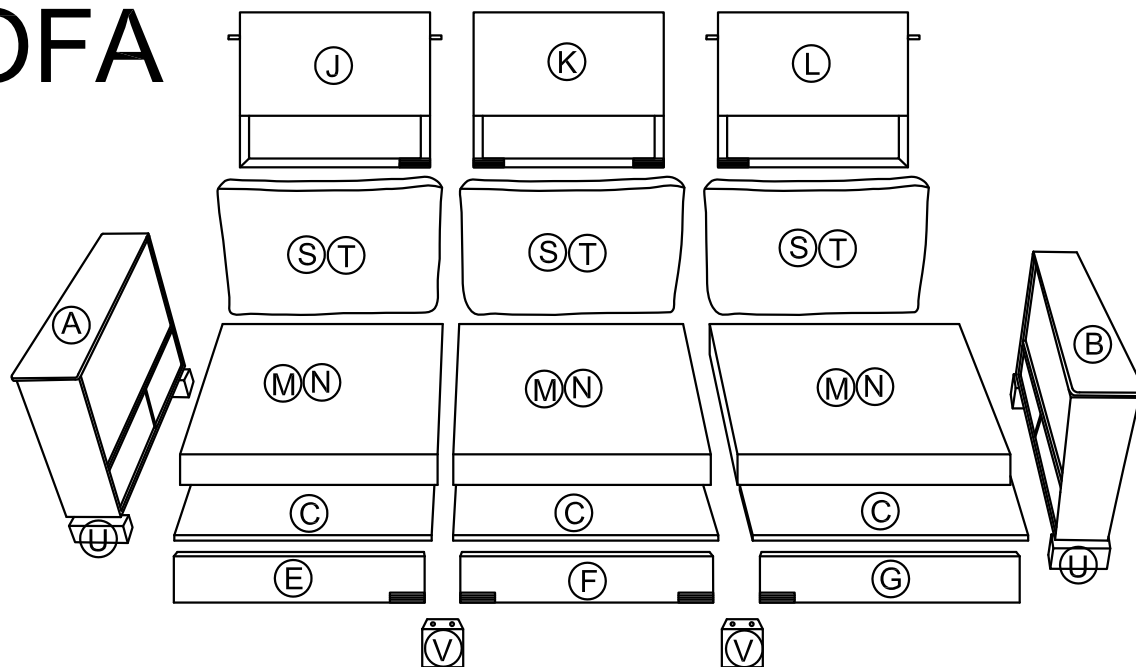
- Considering the size and weight of the sofa, we recommend two adults to assemble the sofa, on a carpeted or padded area, in the room that it is intended for. Approximate assembly time: 60 minutes.
- Keep all components and packaging out of reach of children or animals to avoid risk of choking or suffocation.
- Please do not throw away any of the packaging or the instruction until you have checked all the components and hardware and the furniture is fully assembled. Please ensure that the packaging is disposed of in a safe and environmentally friendly way.

Your cushions come vacuum packed and sealed for shipping. To restore the cushion's original shape, follow the steps below.

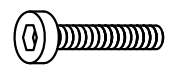
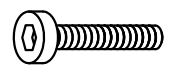
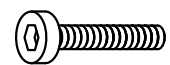



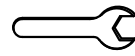


After packing up, place them in somewhere dry and ventilated. After about 72-96hours. It can be restored to the best use condition.



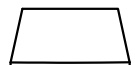
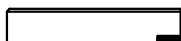
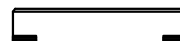
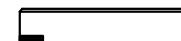
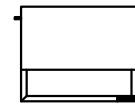
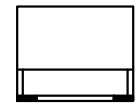
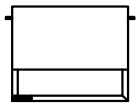




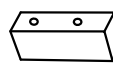

# SOFA



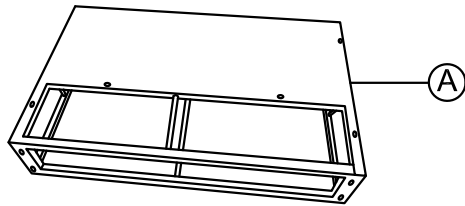
## Hardware parts

<p>① Bolt</p>  <p>M6x35 x22</p>	<p>② Bolt</p>  <p>M6x55 x8</p>	<p>③ Bolt</p>  <p>M6x60 x14</p>
<p>④ Washer</p>  <p>x66</p>	<p>⑤ Nut</p>  <p>x22</p>	<p>⑥ Allen Key</p>  <p>x1</p>
<p>⑦ Spanner</p>  <p>x1</p>		

## Main structure accessories

<p>① Right Armrests</p>  <p>x1</p>	<p>② Left Armrests</p>  <p>x1</p>	<p>③ Seat</p>  <p>x3</p>	<p>④ Side panel</p>  <p>x1</p>	<p>⑤ Side panel</p>  <p>x1</p>	<p>⑥ Side panel</p>  <p>x1</p>	<p>⑦ Back rest</p>  <p>x1</p>	<p>⑧ Back rest</p>  <p>x1</p>	<p>⑨ Back rest</p>  <p>x1</p>
<p>⑩ Seat cushion</p>  <p>x3</p>	<p>⑪ Seat cushion cover</p>  <p>x3</p>	<p>⑫ Back cushion</p>  <p>x3</p>	<p>⑬ Back cushion cover</p>  <p>x3</p>	<p>⑭ Wooden footpads</p>  <p>x4</p>	<p>⑮ Wooden footpads</p>  <p>x4</p>			

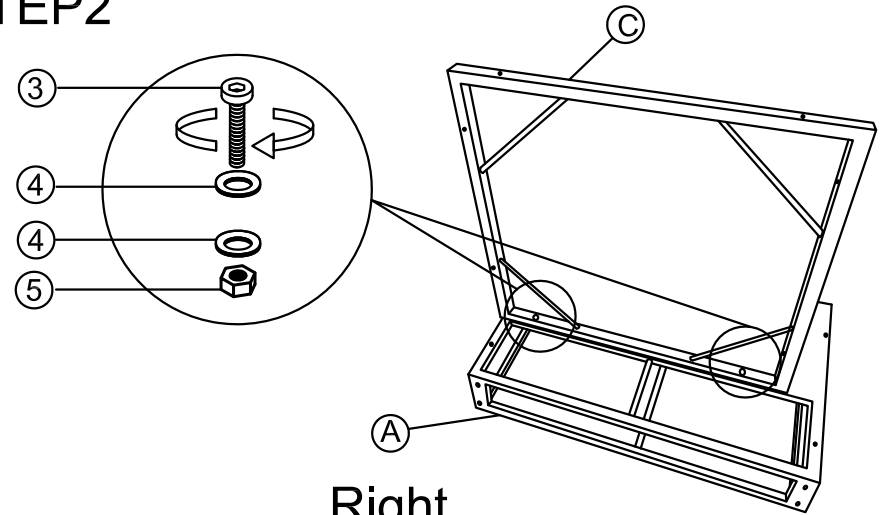
## STEP1



Right

Place the Armrests on the ground before assemble.  
Please DO NOT tighten the screws at this step yet. Wait to  
tighten all the screws until the product is fully installed.

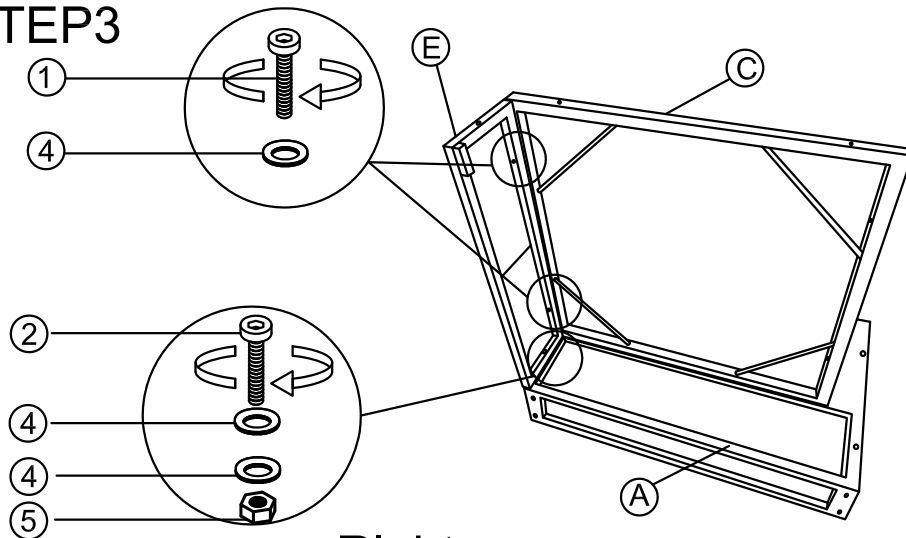
## STEP2



Right

Please DO NOT tighten the screws at this step yet. Wait to  
tighten all the screws until the product is fully installed.

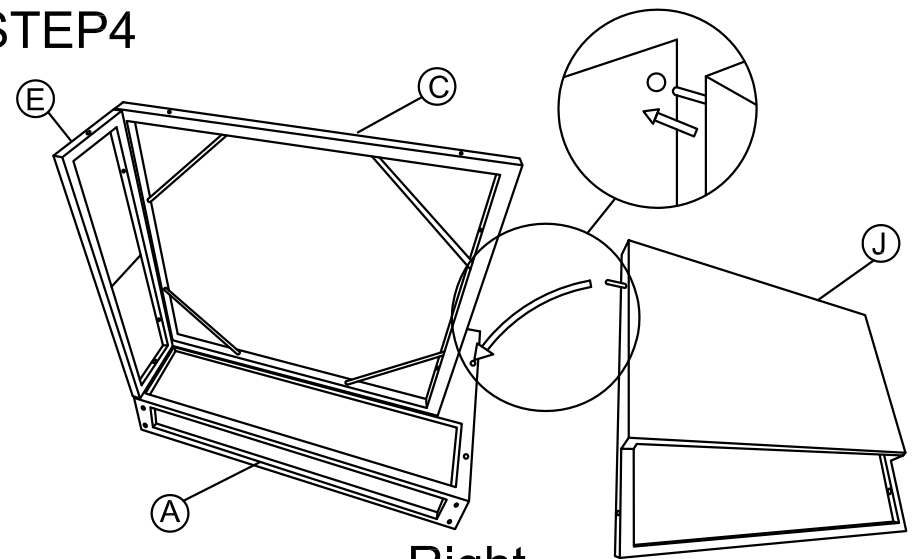
## STEP3



Right

Please DO NOT tighten the screws at this step yet. Wait to  
tighten all the screws until the product is fully installed.

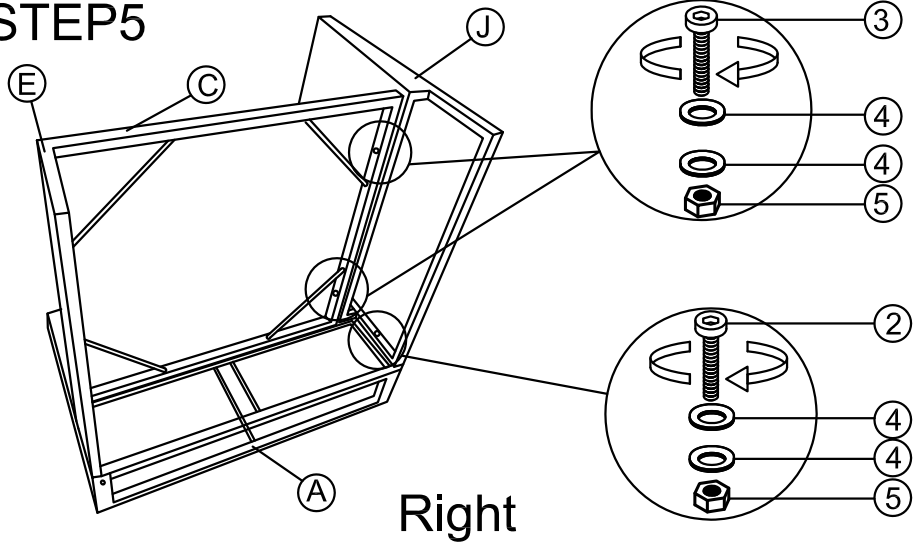
## STEP4



Right

Please DO NOT tighten the screws at this step yet. Wait to  
tighten all the screws until the product is fully installed.

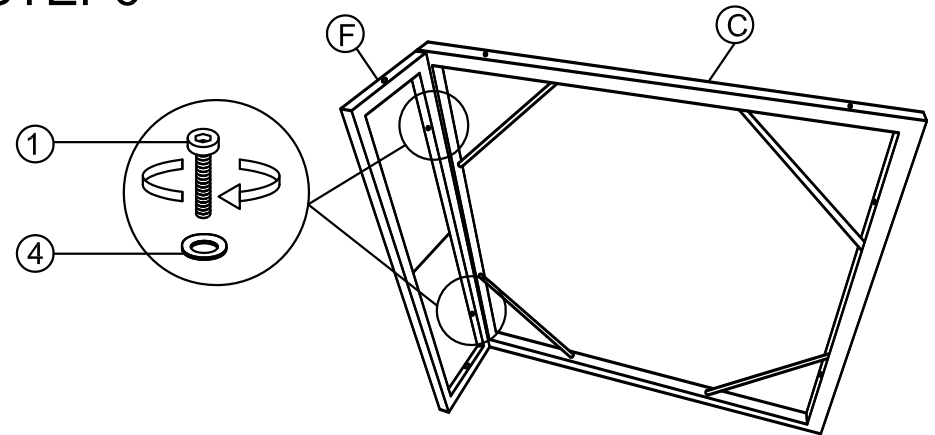
### STEP5



Right

Please DO NOT tighten the screws at this step yet. Wait to tighten all the screws until the product is fully installed.

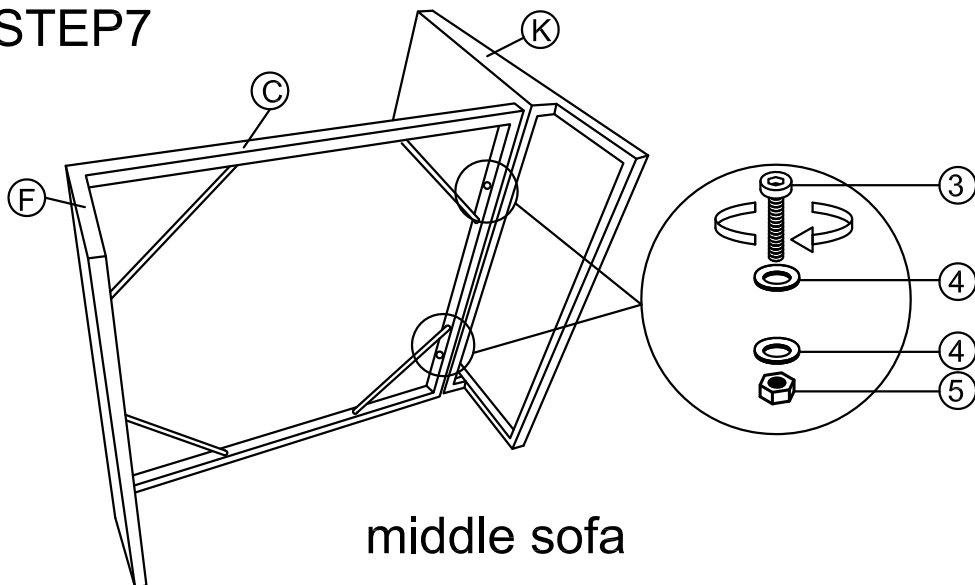
### STEP6



middle sofa

Please DO NOT tighten the screws at this step yet. Wait to tighten all the screws until the product is fully installed.

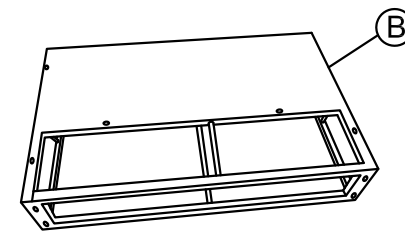
### STEP7



middle sofa

Please DO NOT tighten the screws at this step yet. Wait to tighten all the screws until the product is fully installed.

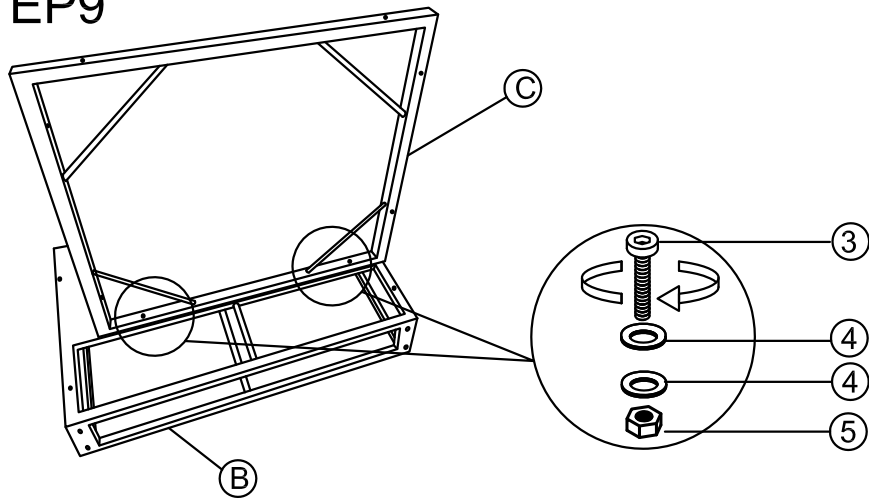
### STEP8



Left

Place the Armrests on the ground before assemble.  
Please DO NOT tighten the screws at this step yet. Wait to tighten all the screws until the product is fully installed.

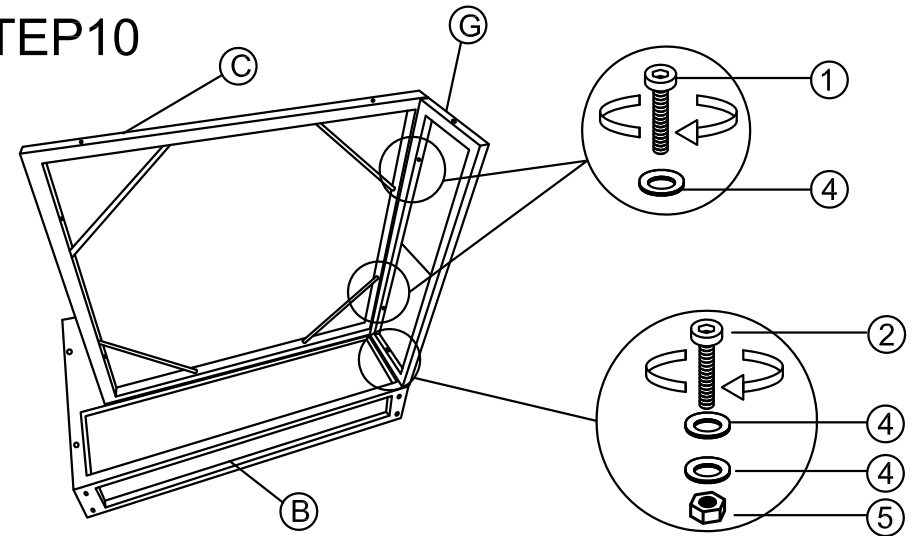
### STEP9



Left

Please DO NOT tighten the screws at this step yet. Wait to tighten all the screws until the product is fully installed.

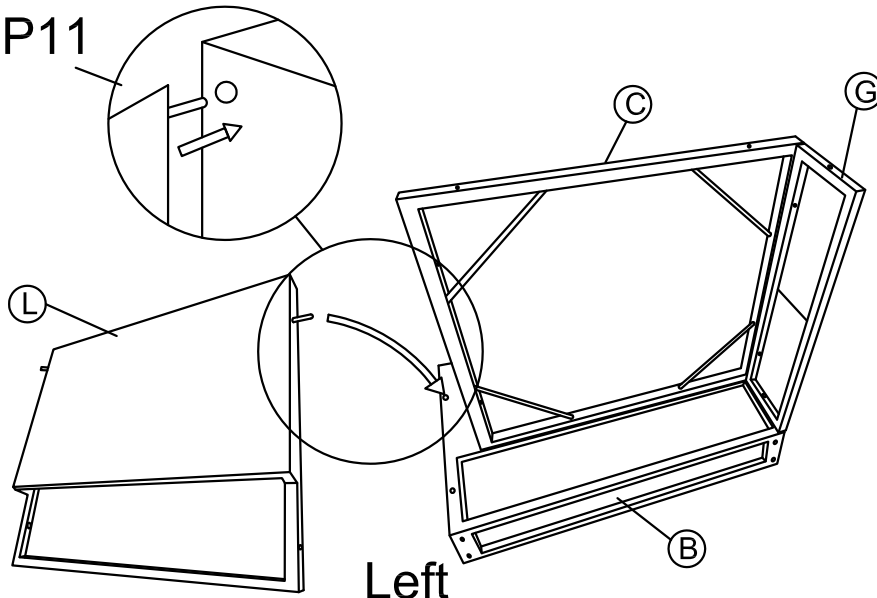
### STEP10



Left

Please DO NOT tighten the screws at this step yet. Wait to tighten all the screws until the product is fully installed.

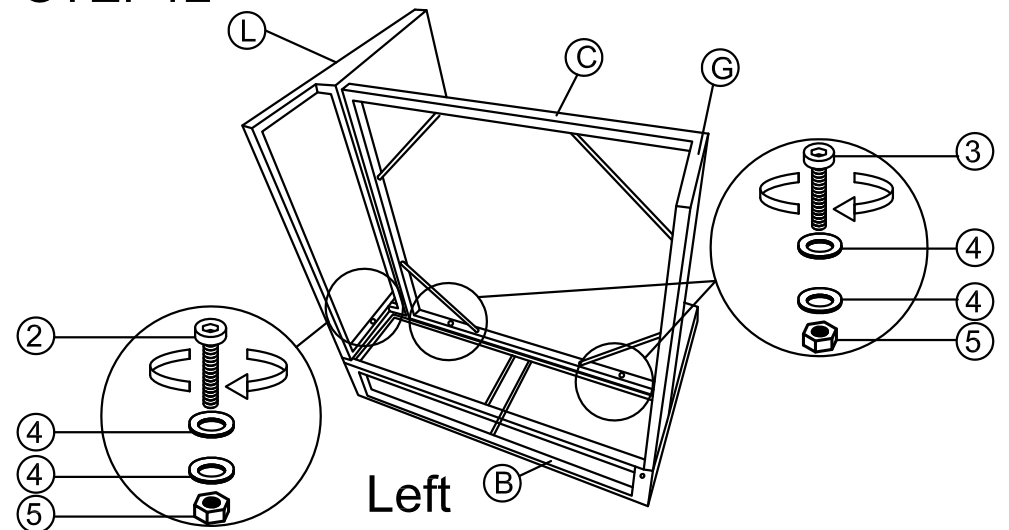
### STEP11



Left

Please DO NOT tighten the screws at this step yet. Wait to tighten all the screws until the product is fully installed.

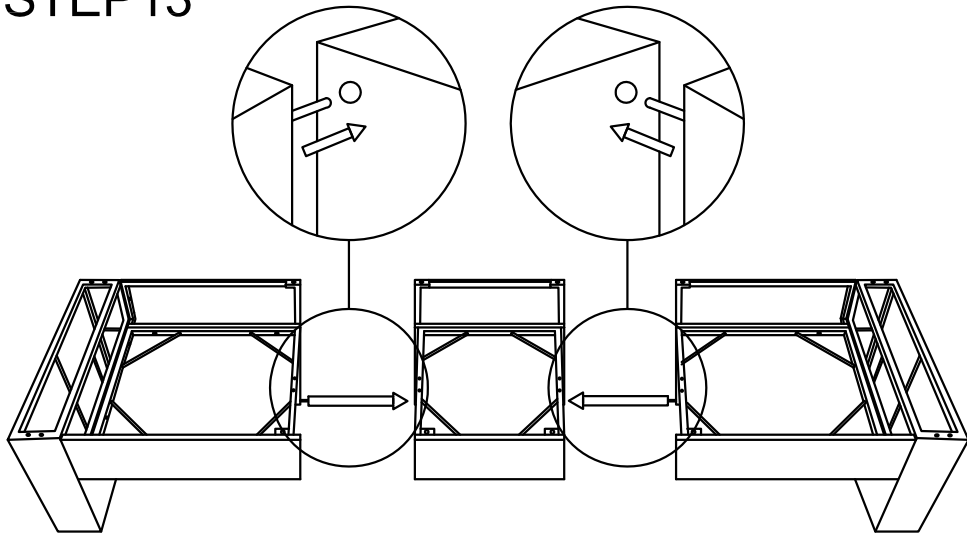
### STEP12



Left

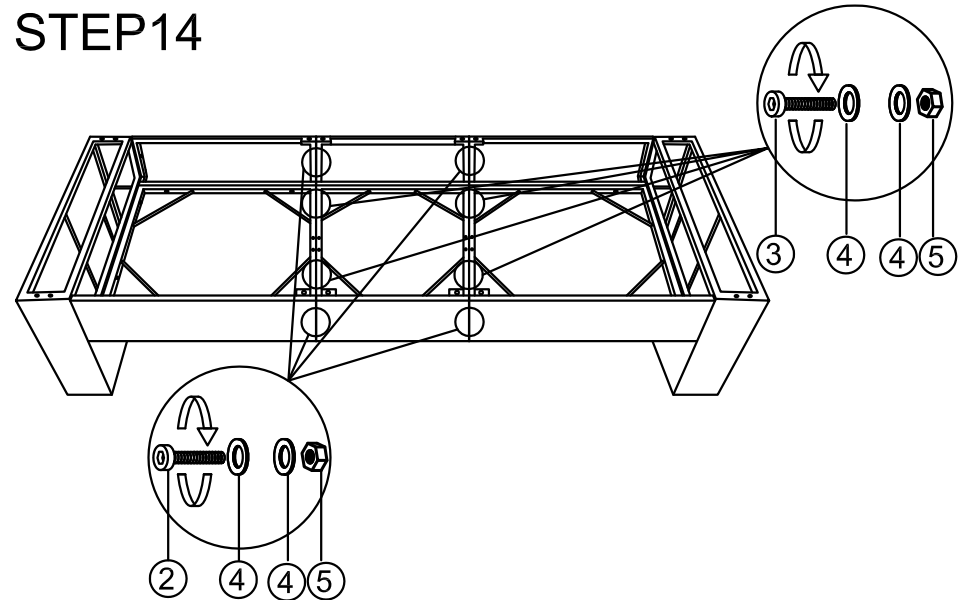
Please DO NOT tighten the screws at this step yet. Wait to tighten all the screws until the product is fully installed.

### STEP13



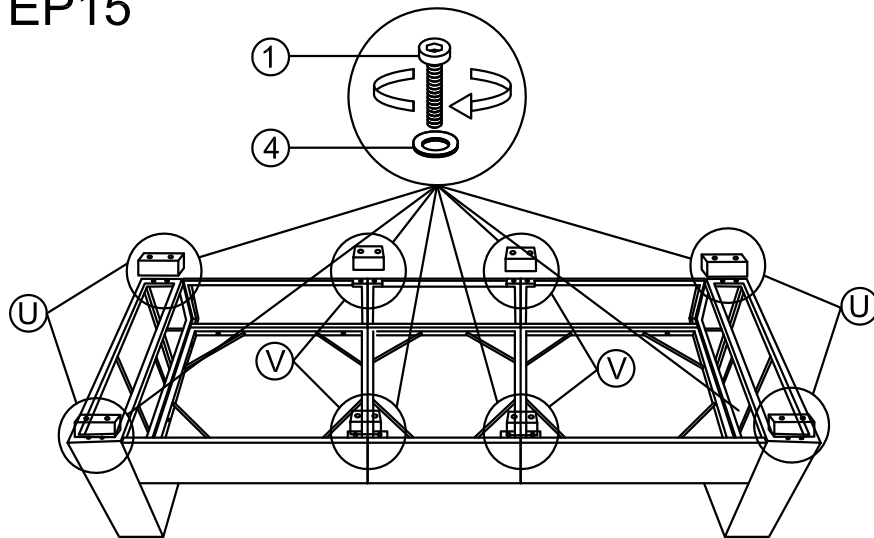
Please DO NOT tighten the screws at this step yet. Wait to tighten all the screws until the product is fully installed.

### STEP14



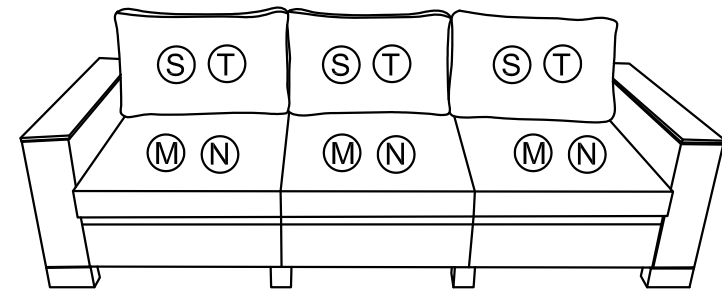
Please DO NOT tighten the screws at this step yet. Wait to tighten all the screws until the product is fully installed.

### STEP15



Please DO NOT tighten the screws at this step yet. Wait to tighten all the screws until the product is fully installed.

### STEP16



Please DO NOT tighten the screws at this step yet. Wait to tighten all the screws until the product is fully installed.